



US00D521207S

(12) **United States Design Patent**  
**Anderson et al.**

(10) **Patent No.: US D521,207 S**

(45) **Date of Patent: \*\* May 16, 2006**

(54) **SANITARY ARTICLE FOR SHOPPING CART HANDLES**

(75) Inventors: **Carol A. Anderson**, 1303 Cota Ave., Torrance, CA (US) 90501; **Arlene Krutsinger**, 1318 Powtola, Torrance, CA (US) 90501

(73) Assignees: **Carol A. Anderson**, Torrance, CA (US); **Arlene Krutsinger**, Torrance, CA (US)

(\*\*) Term: **14 Years**

(21) Appl. No.: **29/225,006**

(22) Filed: **Mar. 10, 2005**

(51) **LOC (8) Cl. .... 12-02**

(52) **U.S. Cl. .... D34/27**

(58) **Field of Classification Search** ..... D34/12-27; D23/267; D20/44; D12/133, 178; D25/122; 150/154, 155, 165, 166; 297/227, 229; 280/33.991-3, 280/47.17; 294/57; 40/308, 506; 224/275, 224/277; 16/110.1, 406, 421, 422, 426, 429, 16/430, 435; 74/551.9

See application file for complete search history.

(56) **References Cited**

**U.S. PATENT DOCUMENTS**

2,803,849 A \* 8/1957 Peters ..... 16/421  
D298,077 S \* 10/1988 Goodwin ..... D34/27  
D324,645 S \* 3/1992 Magro et al. .... D8/380  
D328,812 S \* 8/1992 Pritchett  
5,215,319 A \* 6/1993 Farris ..... 280/33.992

5,361,564 A \* 11/1994 Hickman ..... 54/80.4  
5,427,392 A \* 6/1995 Duer ..... 280/33.992  
5,429,377 A \* 7/1995 Duer ..... 280/33.992  
5,722,672 A \* 3/1998 Frederick  
D412,609 S \* 8/1999 Karp et al. .... D34/27  
D425,681 S \* 5/2000 Johnson et al. .... D34/27  
6,065,764 A \* 5/2000 Moseley  
D461,914 S \* 8/2002 Hughes et al. .... D25/122  
6,543,794 B1 \* 4/2003 Tyree  
D480,195 S \* 9/2003 Koerlin et al. .... D34/27  
6,817,066 B1 \* 11/2004 Williams et al. .... 16/435  
2003/0155727 A1 \* 8/2003 Pettigrew et al.  
2004/0021279 A1 \* 2/2004 Sobo et al.

\* cited by examiner

*Primary Examiner*—Freda Nunn

*Assistant Examiner*—Kevin K. Rudzinski

(57) **CLAIM**

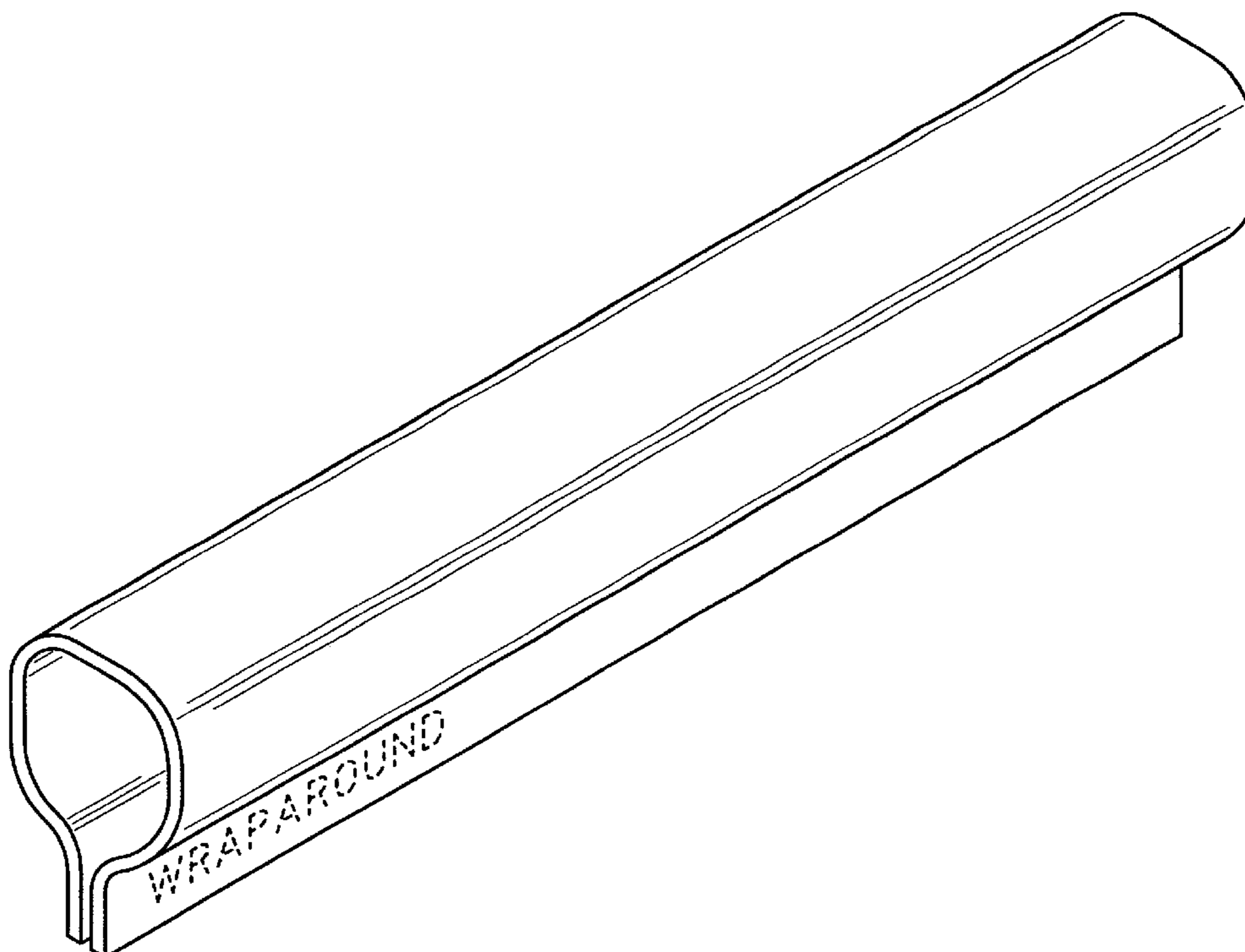
The ornamental design for a sanitary article for shopping cart handles, as shown and described.

**DESCRIPTION**

FIG. 1 is a front elevational view of a sanitary article for shopping cart handles showing our new design; FIG. 2 is a rear elevational plan view thereof; FIG. 3 is a top plan view thereof; FIG. 4 is a bottom plan view thereof; FIG. 5 is a side elevational view thereof; and, FIG. 6 is a perspective view thereof.

The indicia and broken lines shown in the figures are for illustrative purposes only and are hereby disclaimed as forming no part of applicant's claimed invention.

**1 Claim, 3 Drawing Sheets**



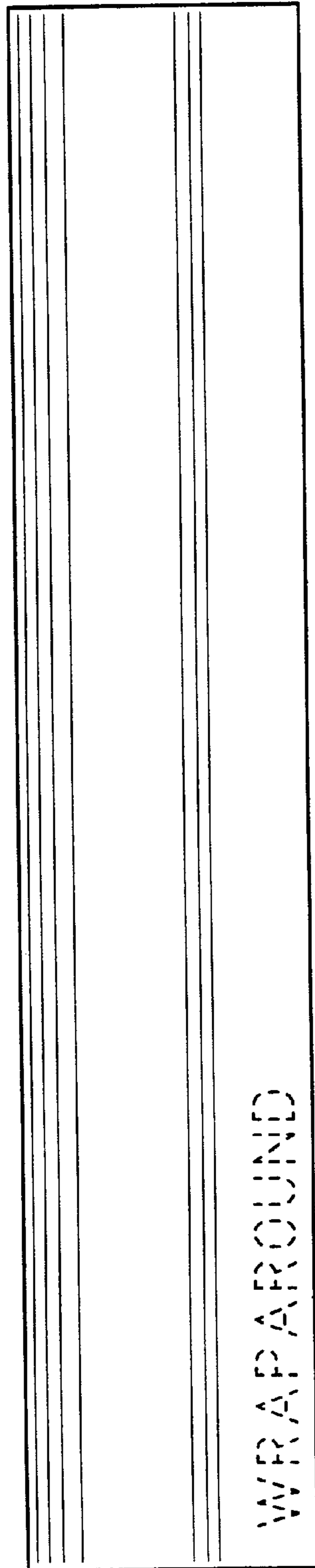


FIG. 1

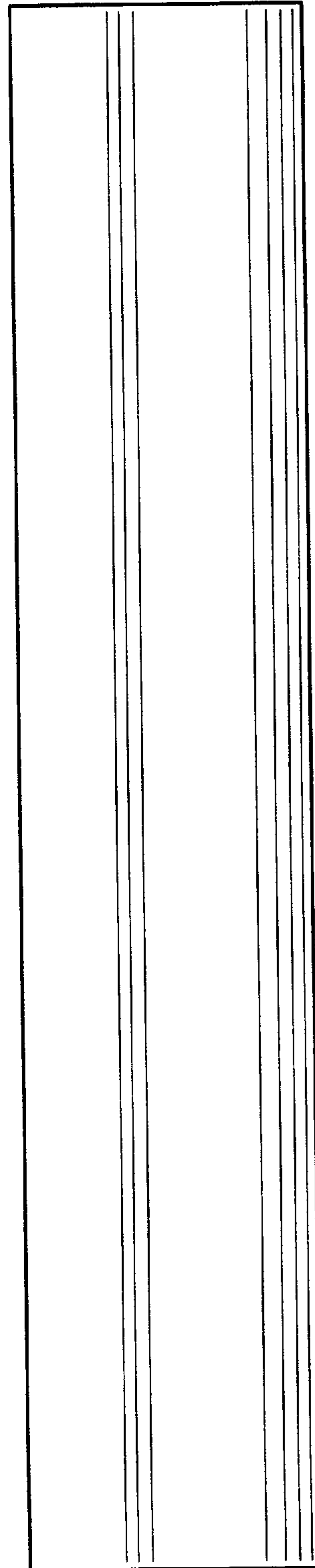


FIG. 2

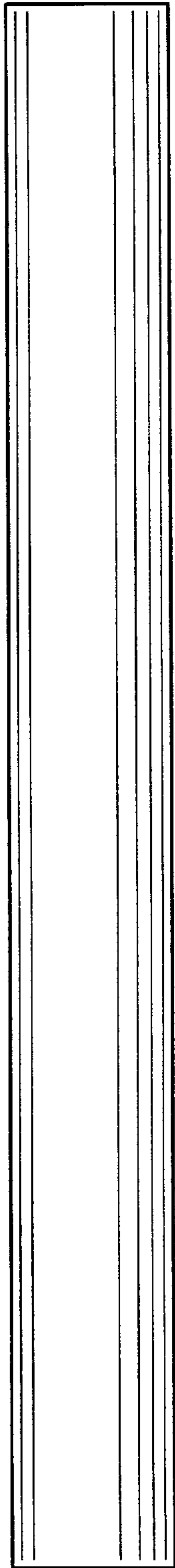


FIG. 3

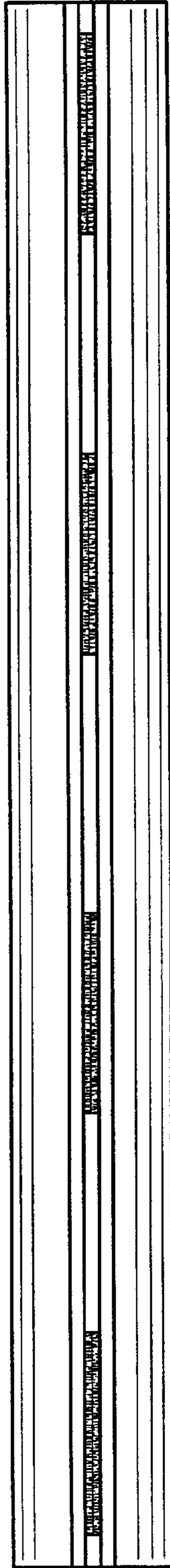


FIG. 4

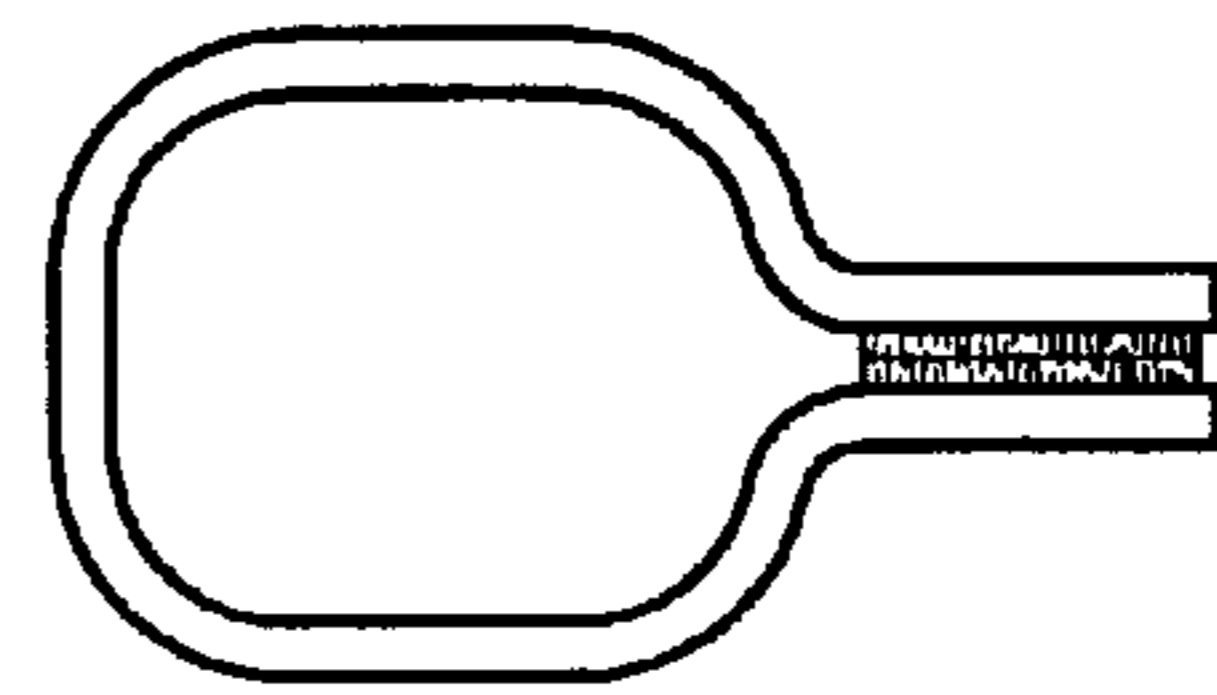


FIG. 5

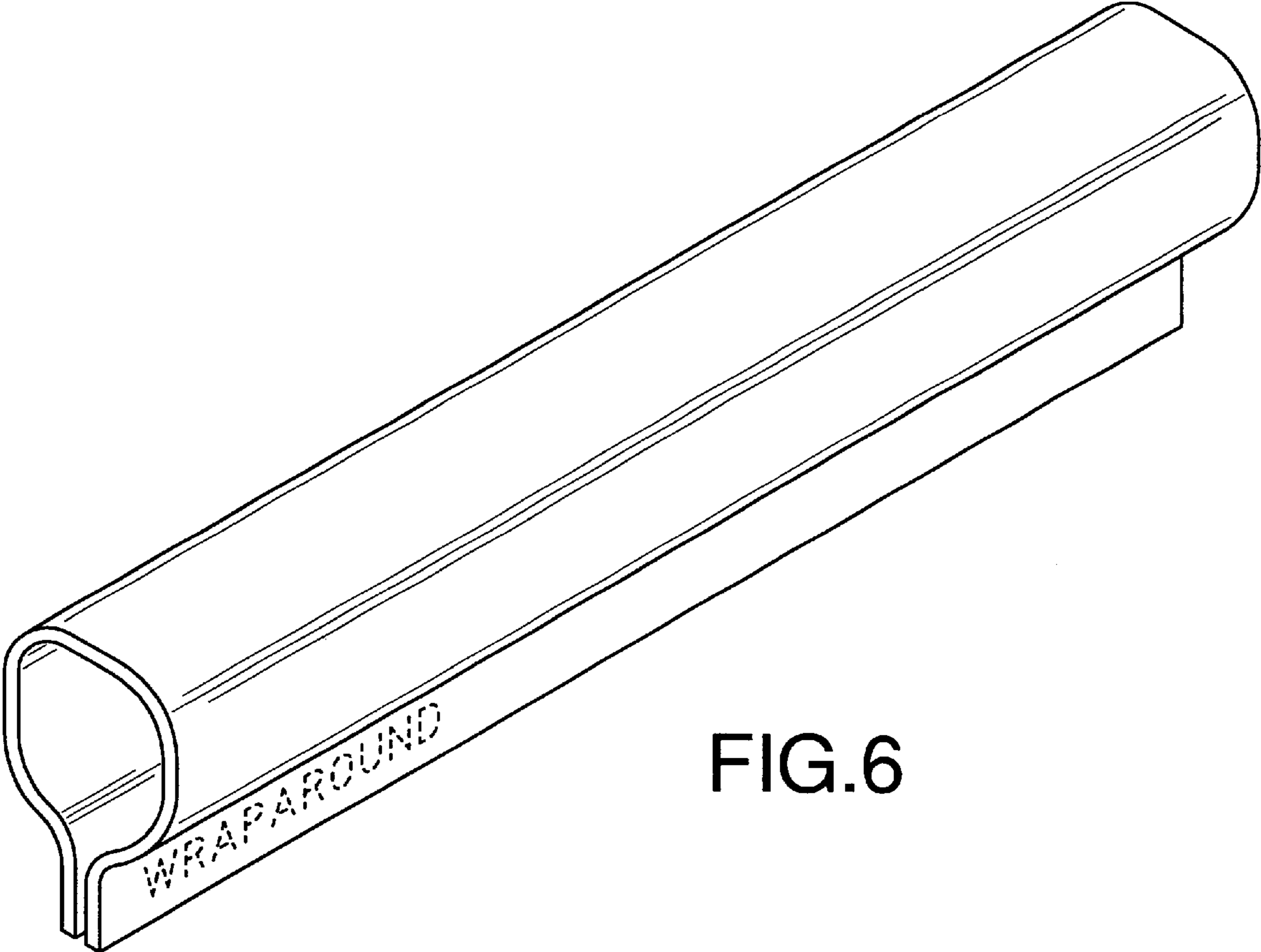


FIG.6