

US00D521205S

(12) **United States Design Patent**  
**Fan**

(10) **Patent No.:** **US D521,205 S**

(45) **Date of Patent:** **\*\* May 16, 2006**

(54) **FOLDABLE LEAVES BAGGER**

(76) Inventor: **Jianhua Fan**, 5800 Maudina Ave., Apt. C-2, Nashville, TN (US) 37209

(\*\*) Term: **14 Years**

(21) Appl. No.: **29/132,203**

(22) Filed: **Nov. 3, 2000**

(51) **LOC (8) Cl.** ..... **09-09**

(52) **U.S. Cl.** ..... **D34/6**

(58) **Field of Classification Search** ..... D34/5, D34/1, 6, 7; 220/908, 909; 248/95, 97, 99, 248/100, 101; D6/566, 567

See application file for complete search history.

(56) **References Cited**

**U.S. PATENT DOCUMENTS**

2,688,429	A	9/1954	Davison	
D194,488	S	* 1/1963	Young	D34/6
D216,438	S	* 1/1970	Gay et al.	D34/6
D229,018	S	* 11/1973	Howard	D34/6
D246,565	S	* 12/1977	Roark	D34/6
4,273,167	A	6/1981	Stillwell	
4,723,741	A	* 2/1988	Doering	248/97
5,523,519	A	6/1996	Weber et al.	
D389,632	S	* 1/1998	Reddin	D34/6
D399,624	S	* 10/1998	Lewis	D34/6

5,868,364	A	2/1999	MacMillan	
5,979,842	A	11/1999	Fan	
D418,653	S	* 1/2000	Kent, Jr.	D34/6
6,116,549	A	9/2000	Santa	

**OTHER PUBLICATIONS**

Brookstone Co.

\* cited by examiner

*Primary Examiner*—Cynthia E. Ramirez

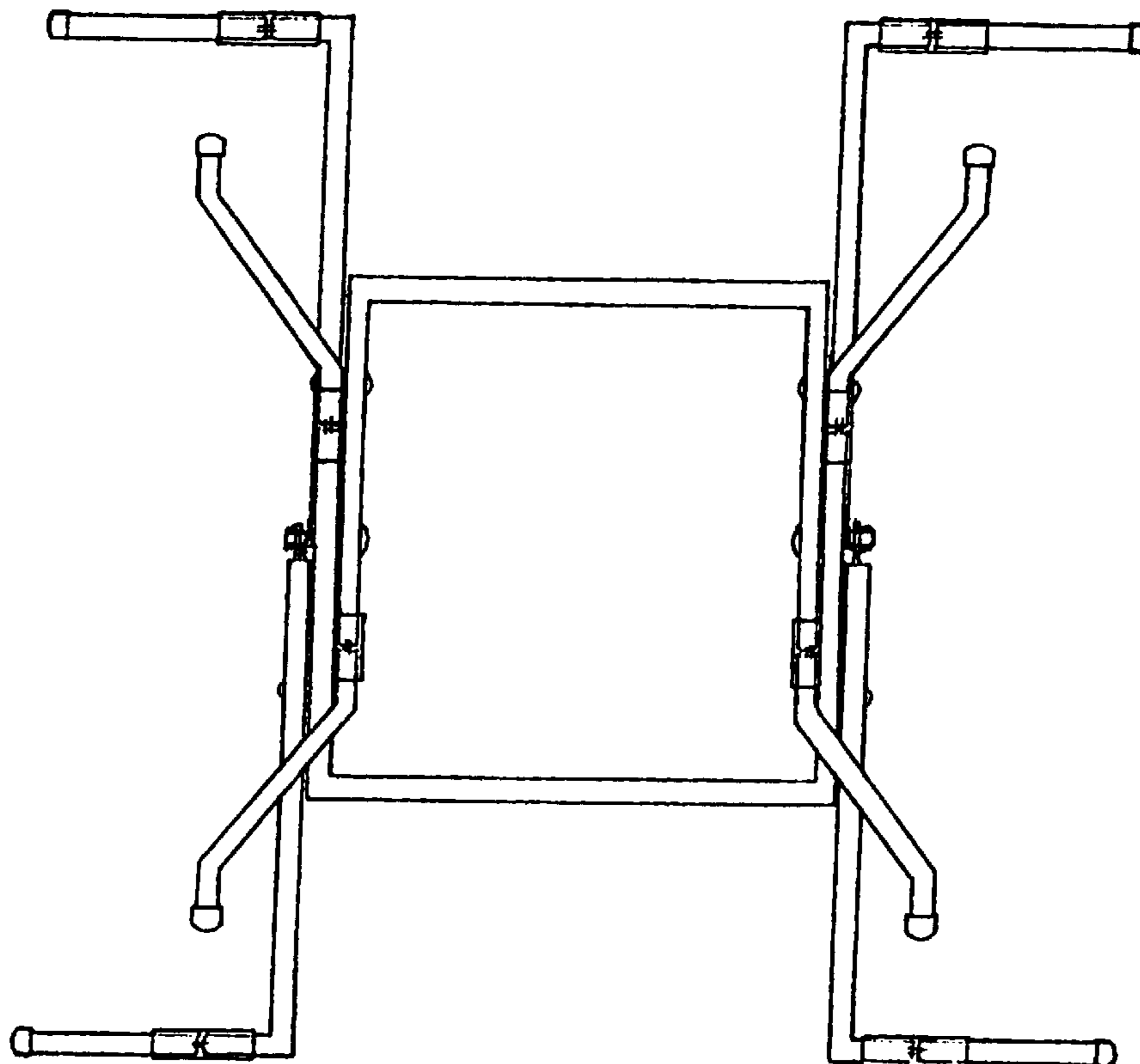
(57) **CLAIM**

The ornamental design for foldable leaves bagger, as shown and described.

**DESCRIPTION**

FIG. 1 is a perspective view of a foldable leaves bagger; FIG. 2 is a front elevational view thereof; FIG. 3 is a rear elevational view thereof; FIG. 4 is a left side elevational view thereof; FIG. 5 is a right side elevational view thereof; FIG. 6 is a top plan view thereof; FIG. 7 is a bottom plan view thereof; and, FIG. 8 is a folded position front elevational view thereof. The broken lines showing of a flexible funnel and bag in FIG. 1 is for illustrative purpose only and form no part of the claimed design.

**1 Claim, 8 Drawing Sheets**



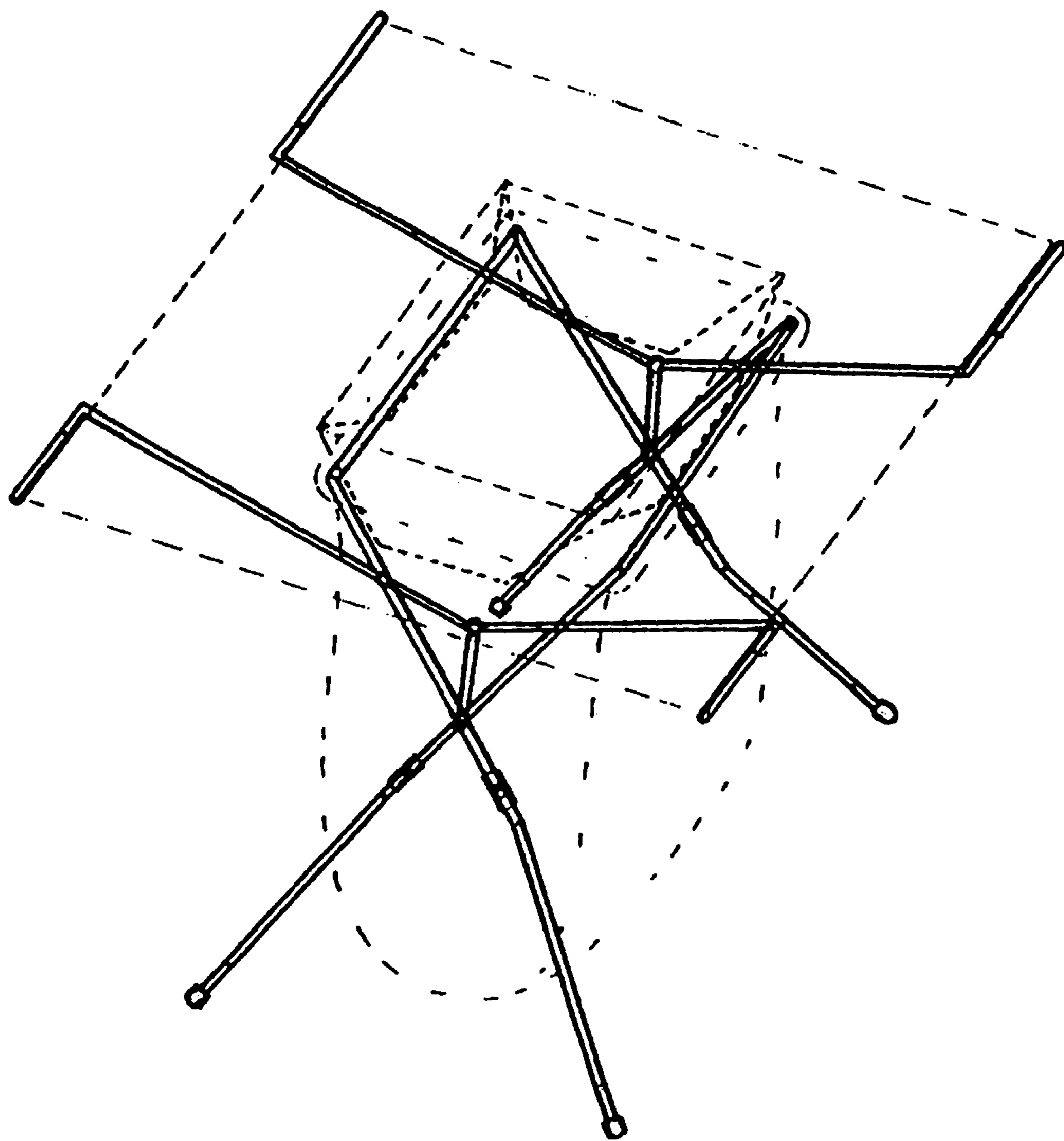


Fig. 1

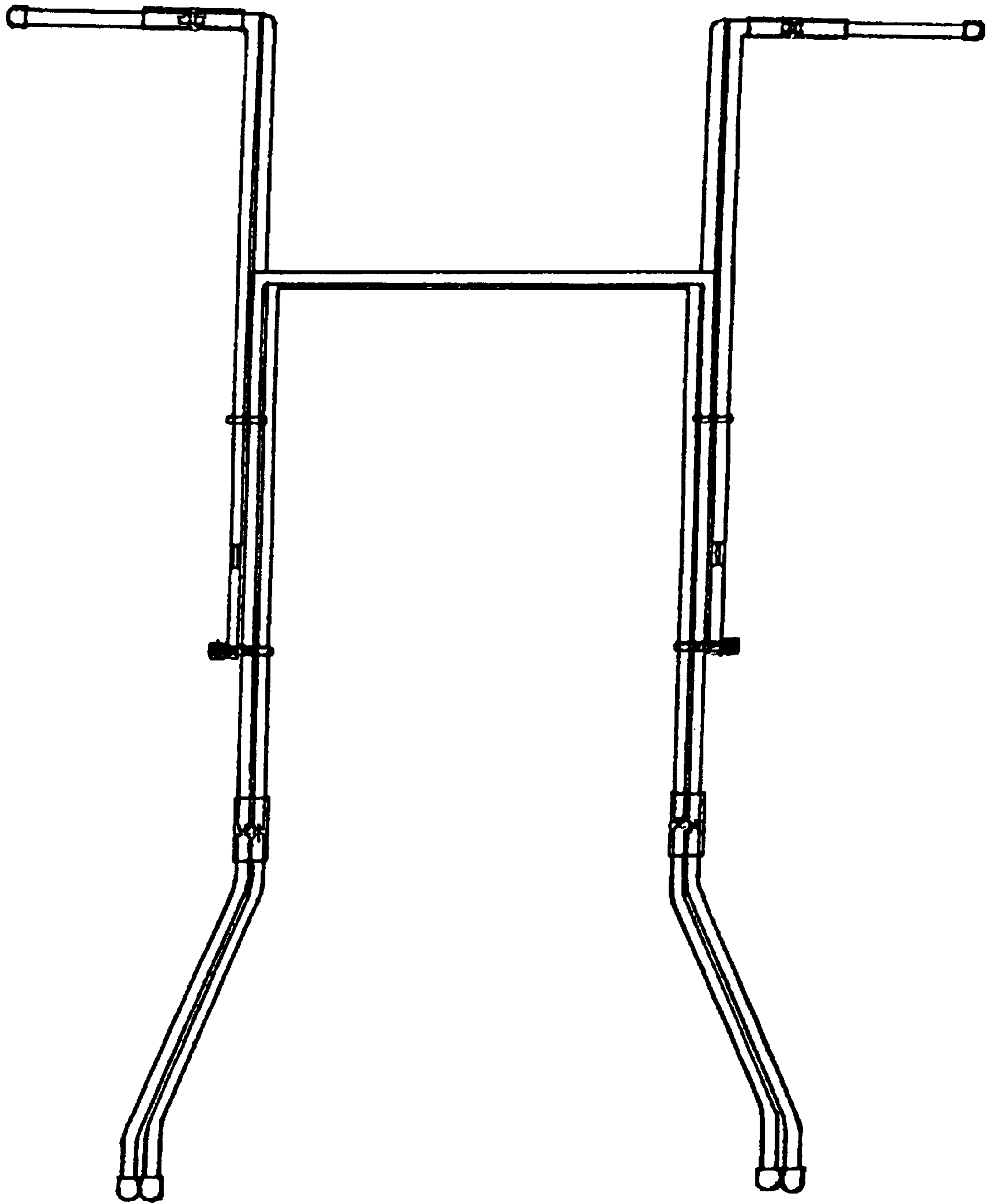


Fig. 2

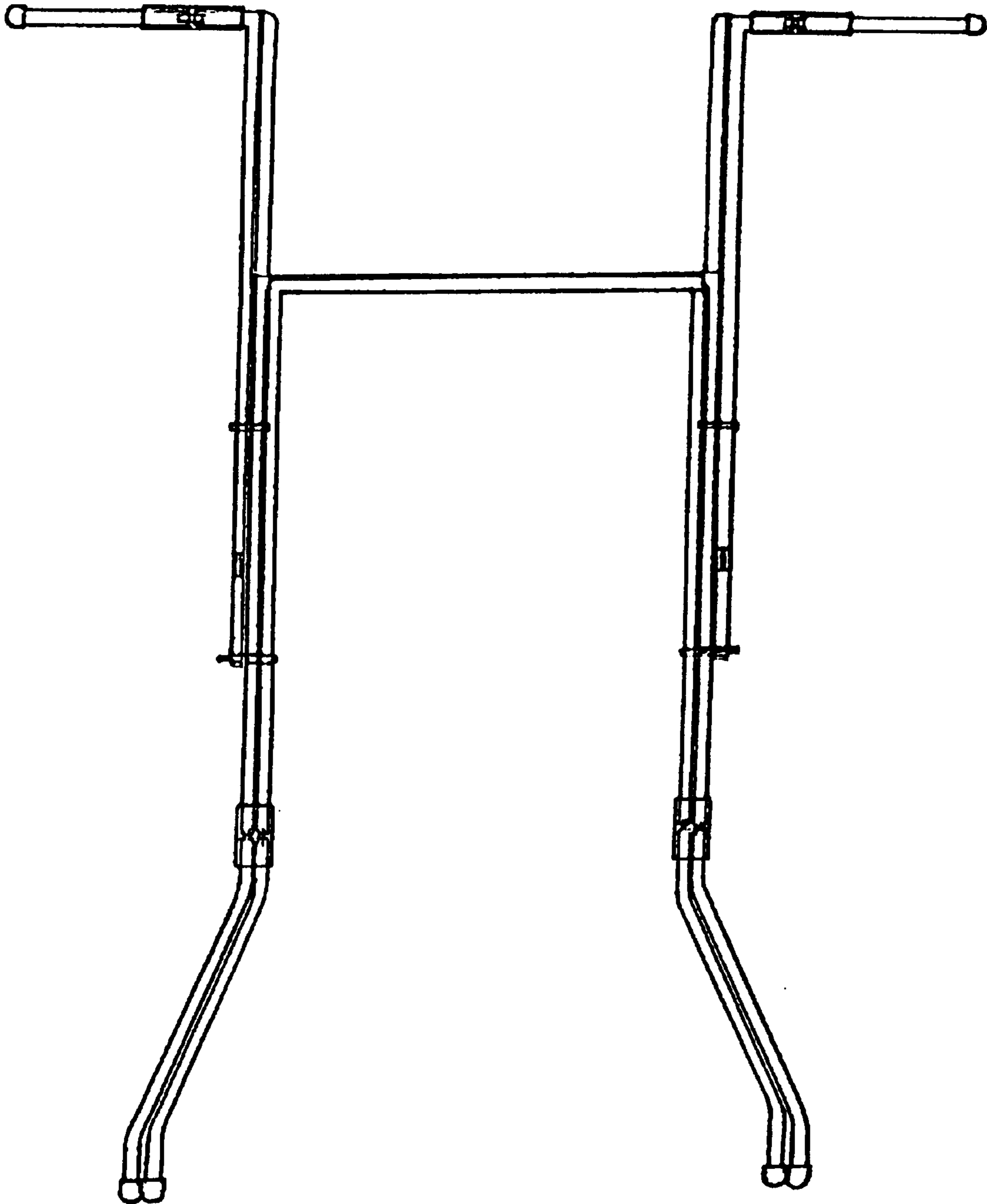


Fig. 3

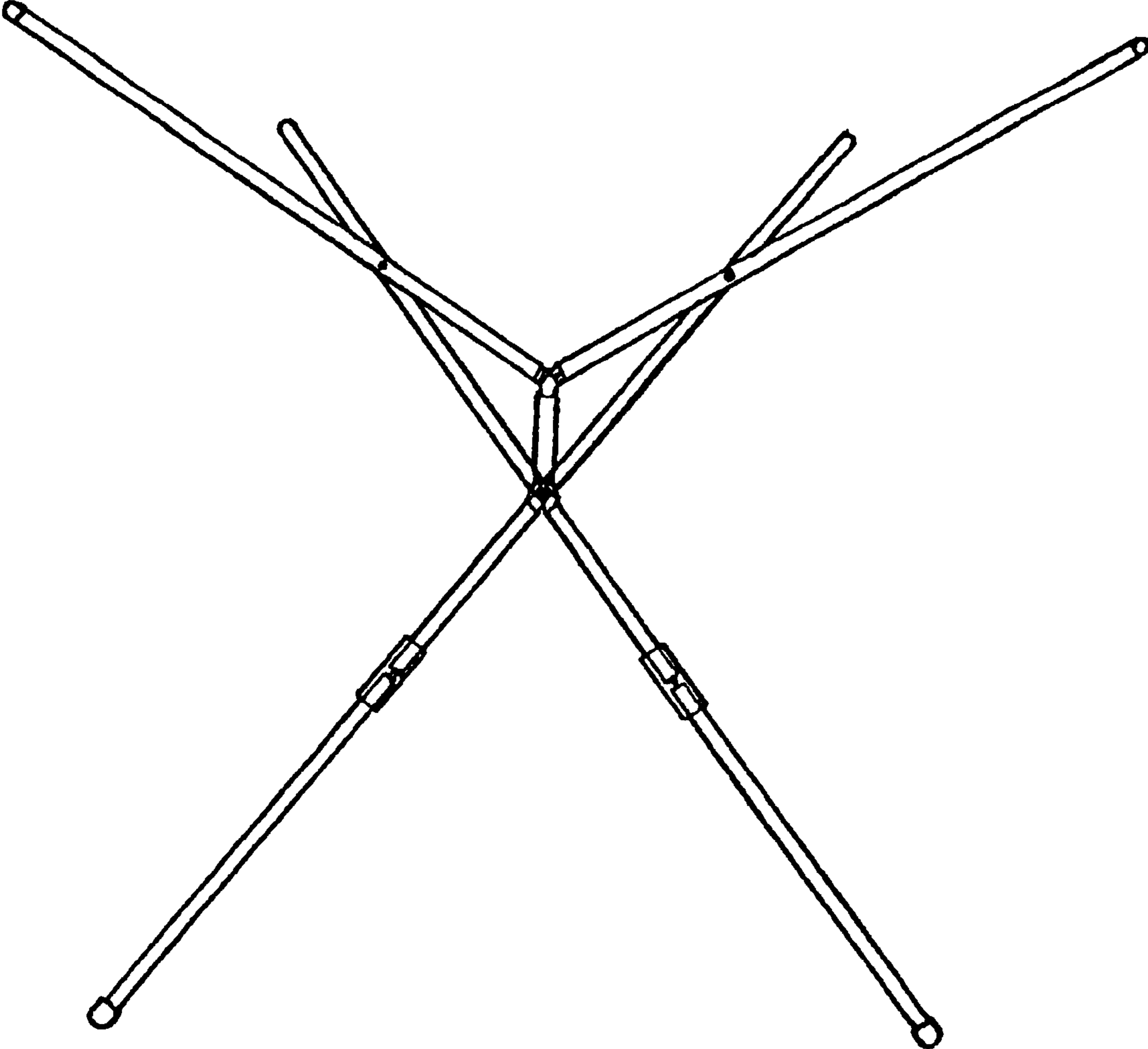


Fig. 4

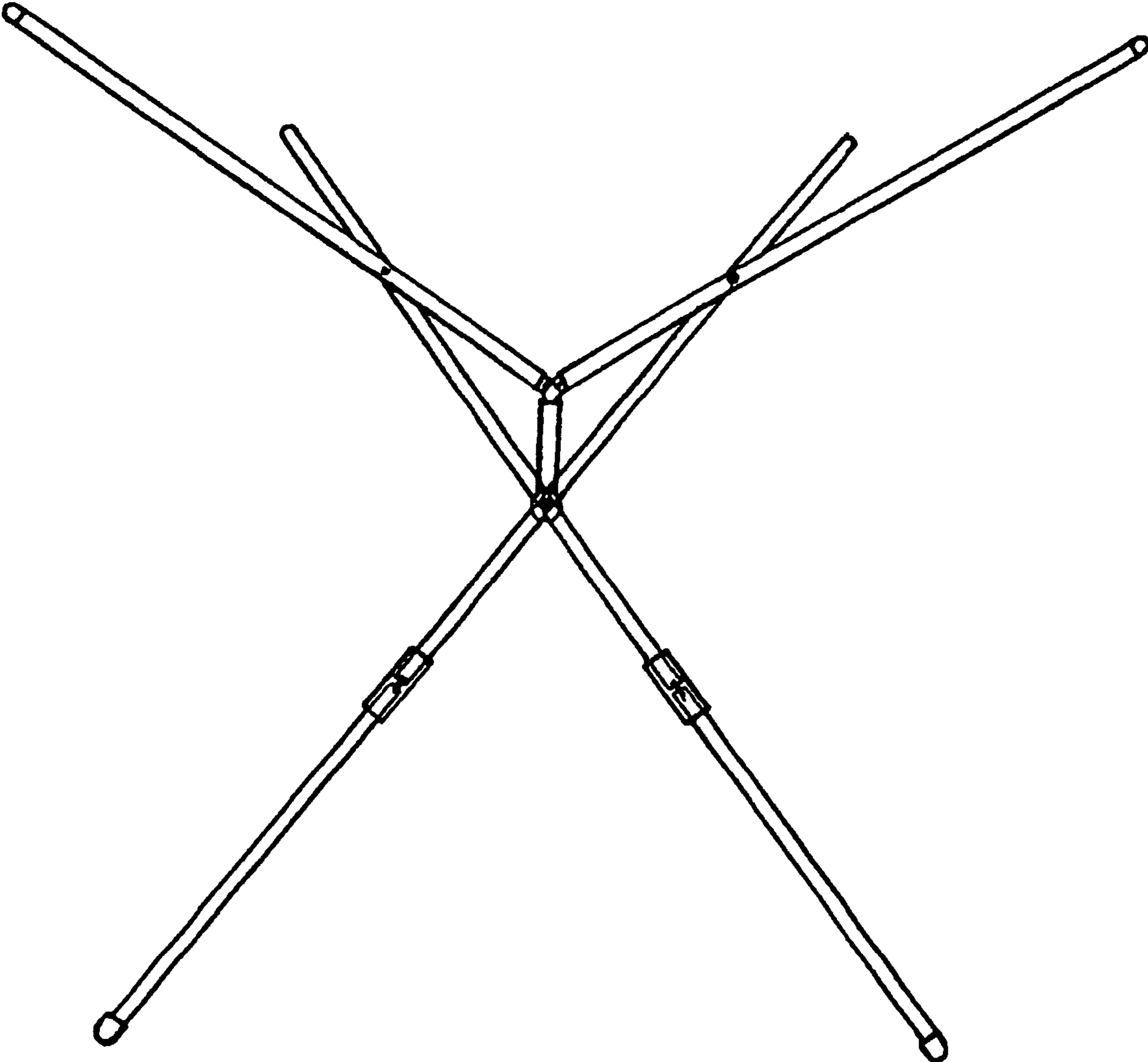


Fig. 5

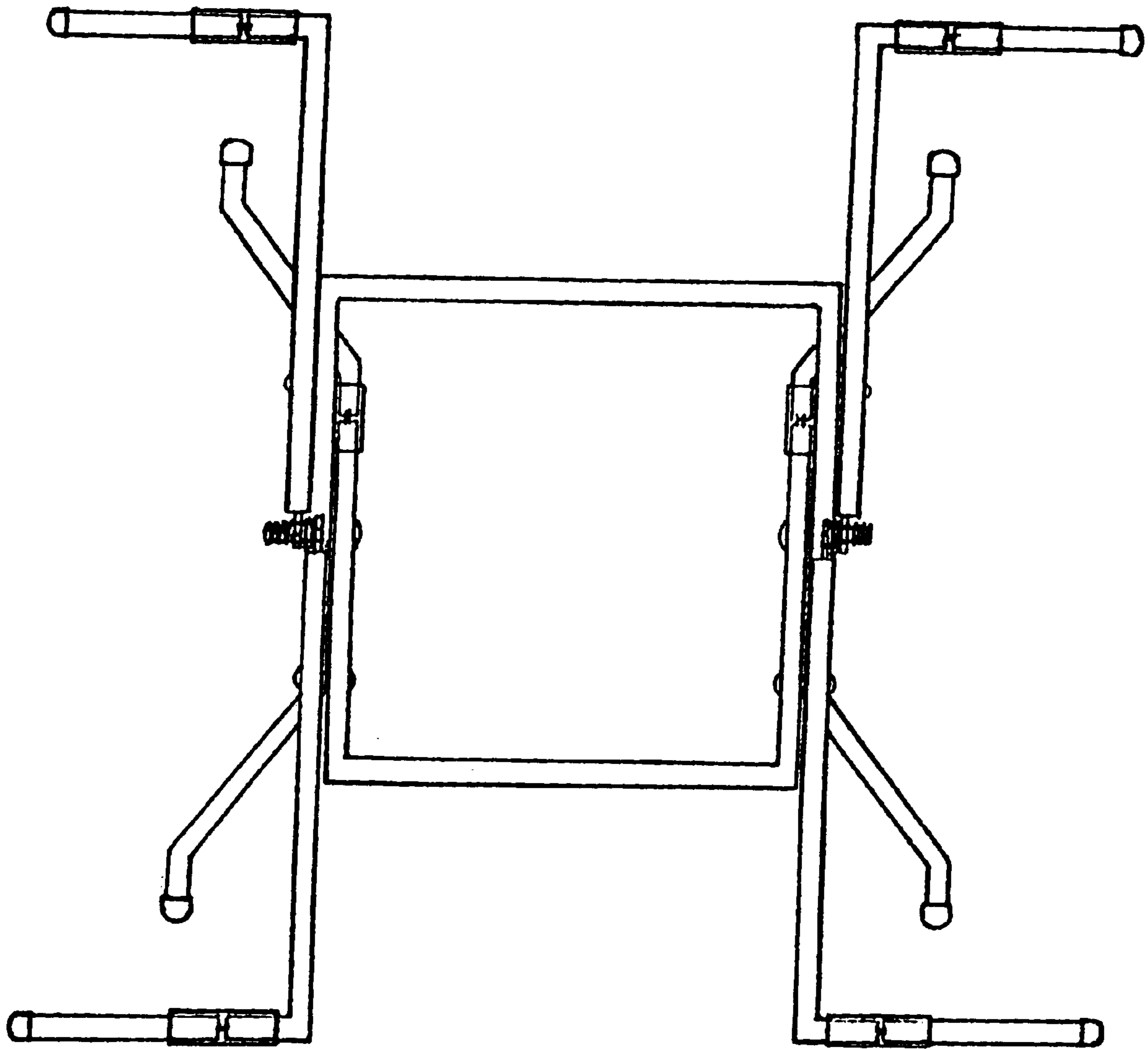


Fig. 6

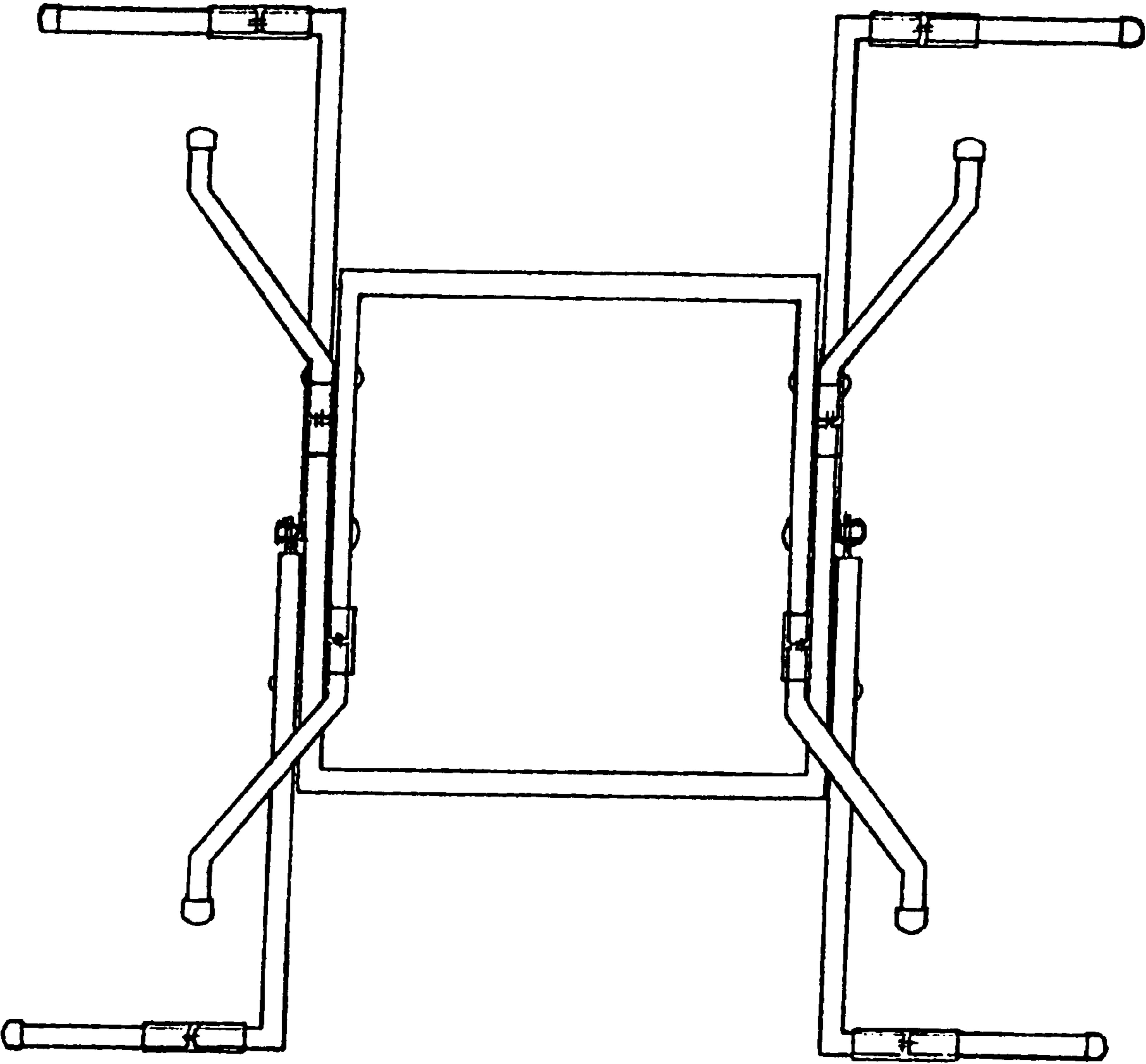
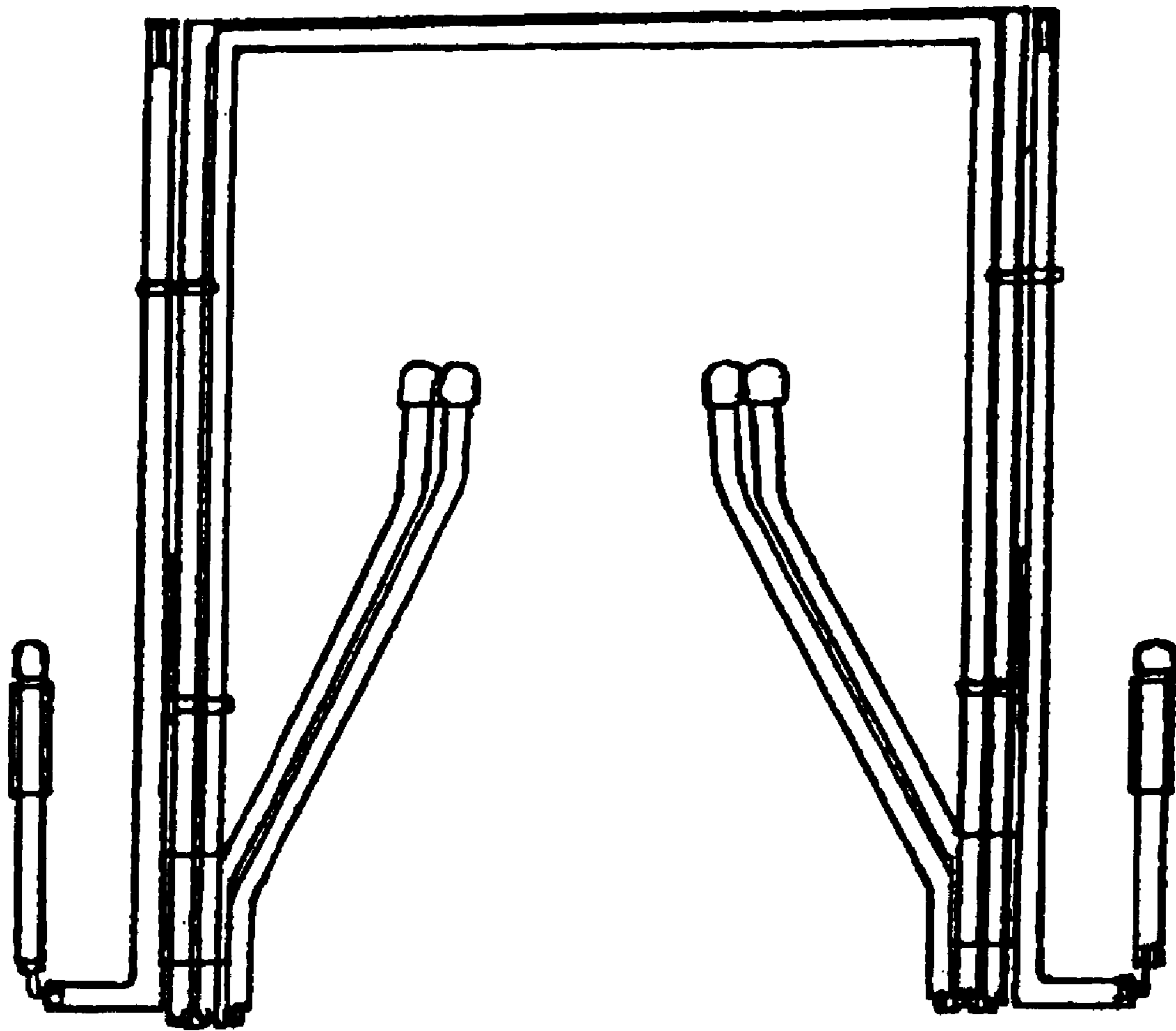


Fig. 7





**Fig. 8**