

US00D521195S

(12) **United States Design Patent**
Park et al.

(10) **Patent No.:** **US D521,195 S**

(45) **Date of Patent:** **** May 16, 2006**

(54) **DISHWASHER**

D495,102 S * 8/2004 Kaczmarek D32/3

(75) Inventors: **Chul Yoong Park**, Seoul (KR); **Seon Ju Lee**, Seoul (KR)

* cited by examiner

Primary Examiner—Louis S. Zarfes

Assistant Examiner—Kathleen Sims

(73) Assignee: **Samsung Electronics Co., Ltd.** (KR)

(74) *Attorney, Agent, or Firm*—Irving Keschner

(**) Term: **14 Years**

(57) **CLAIM**

(21) Appl. No.: **29/229,099**

The ornamental design for dishwasher, as shown and described.

(22) Filed: **May 3, 2005**

DESCRIPTION

(51) **LOC (8) Cl.** **15-05**

(52) **U.S. Cl.** **D32/2**

(58) **Field of Classification Search** D32/5,
D32/6, 2, 3, 8, 28; 68/212, 3 R, 12.26; 34/596,
34/601, 603; 312/228, 109; D7/340, 349,
D7/350; 134/57 D, 57 DL, 58 DL
See application file for complete search history.

FIG. 1 is a perspective view of the ornamental design of the present invention;

FIG. 2 is a front elevational view of the ornamental design of the present invention;

FIG. 3 is a rear elevational view of the ornamental design of the present invention;

FIG. 4 is a left side elevational view of the ornamental design of the present invention. (The right side elevational view of the ornamental design of the present invention is a mirror image of the left side elevational view).

FIG. 5 is a top plan view of the ornamental design of the present invention; and,

FIG. 6 is a bottom view of the ornamental design of the present invention.

(56) **References Cited**

U.S. PATENT DOCUMENTS

2,703,581	A	*	3/1955	Culhane	134/133
D458,422	S	*	6/2002	Richardson	D32/2
D459,843	S	*	7/2002	Richardson	D32/3
D493,580	S	*	7/2004	Ott et al.	D32/3
D493,581	S	*	7/2004	Ott et al.	D32/3
D493,583	S	*	7/2004	Kaczmarek	D32/3

1 Claim, 3 Drawing Sheets

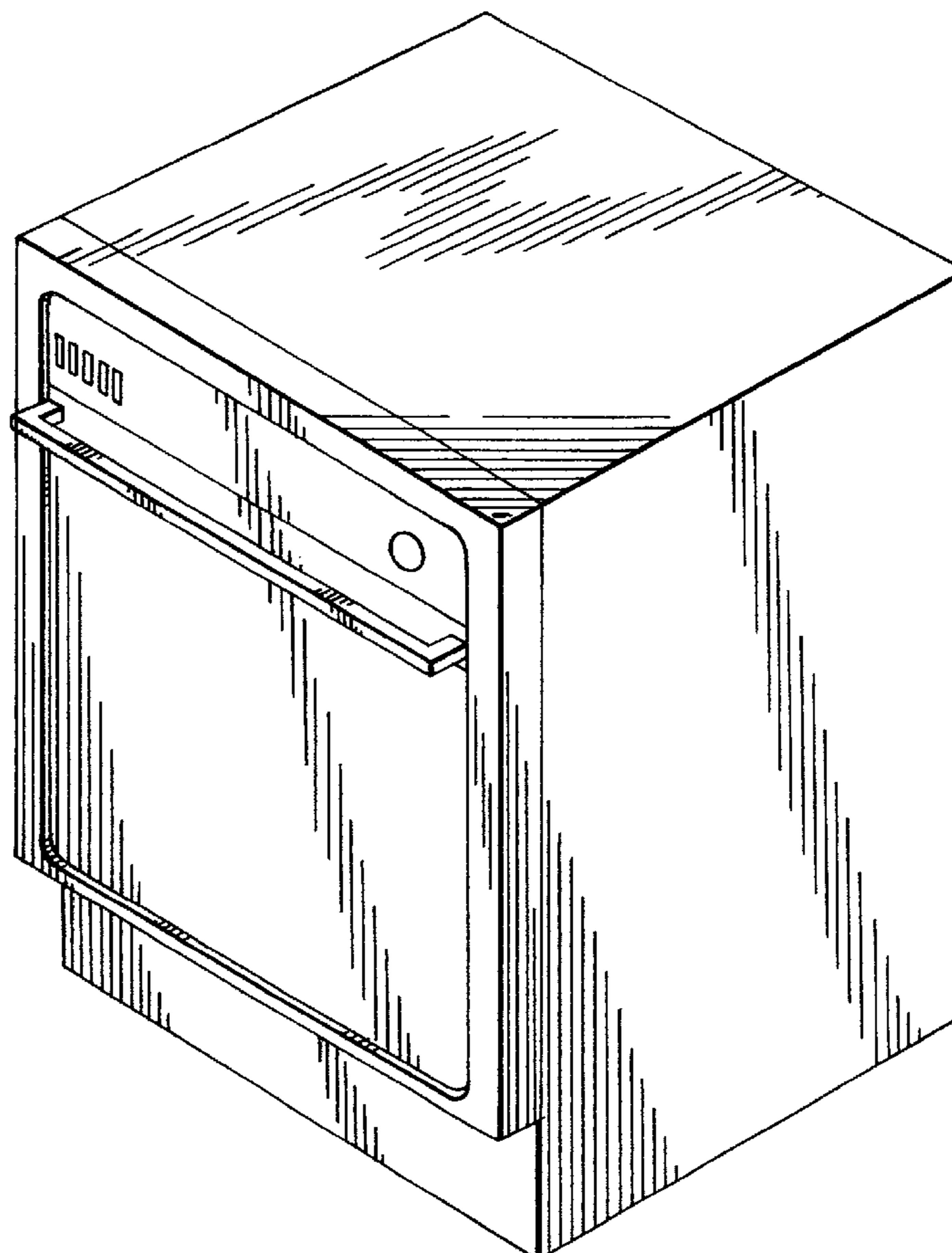


FIG. 1

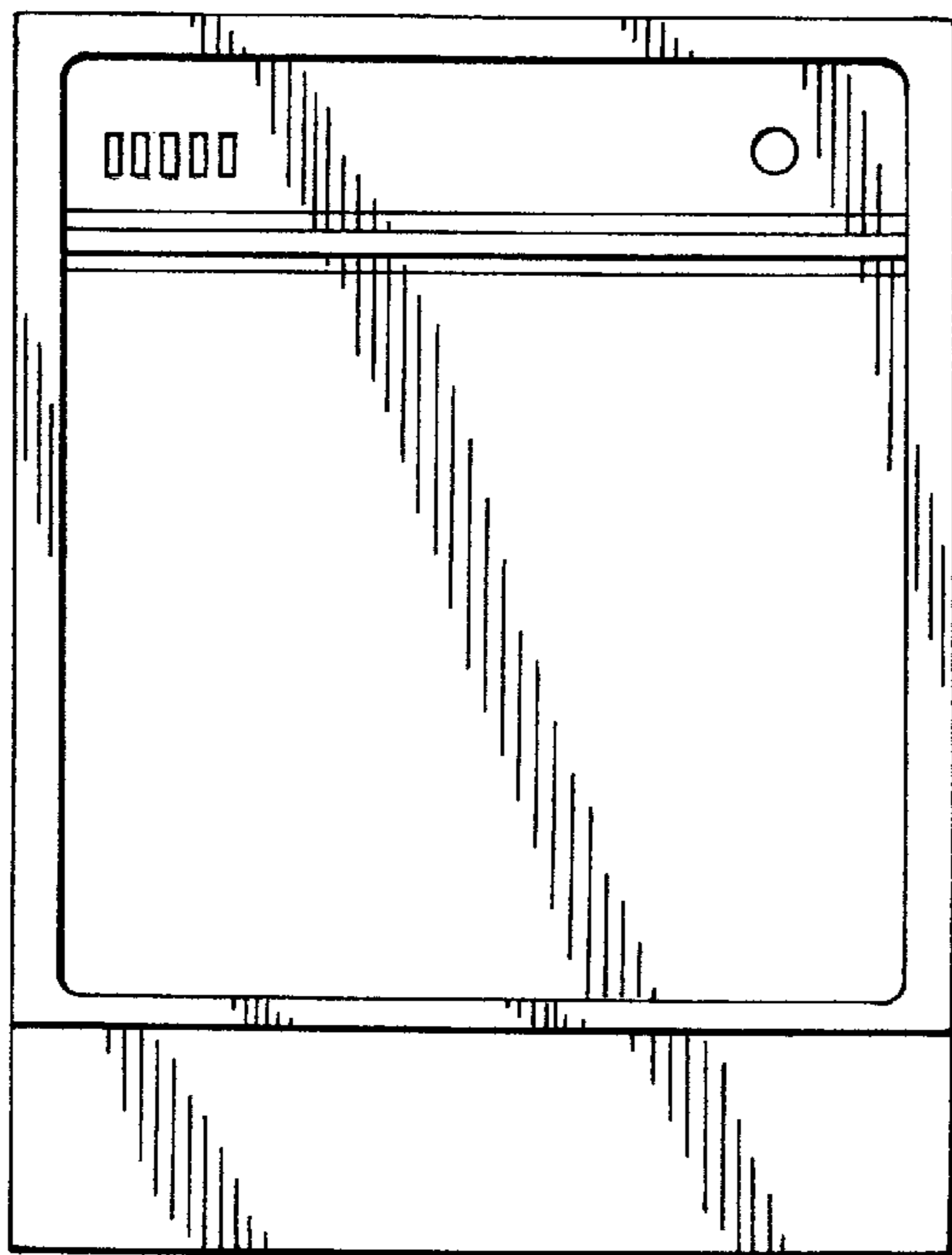
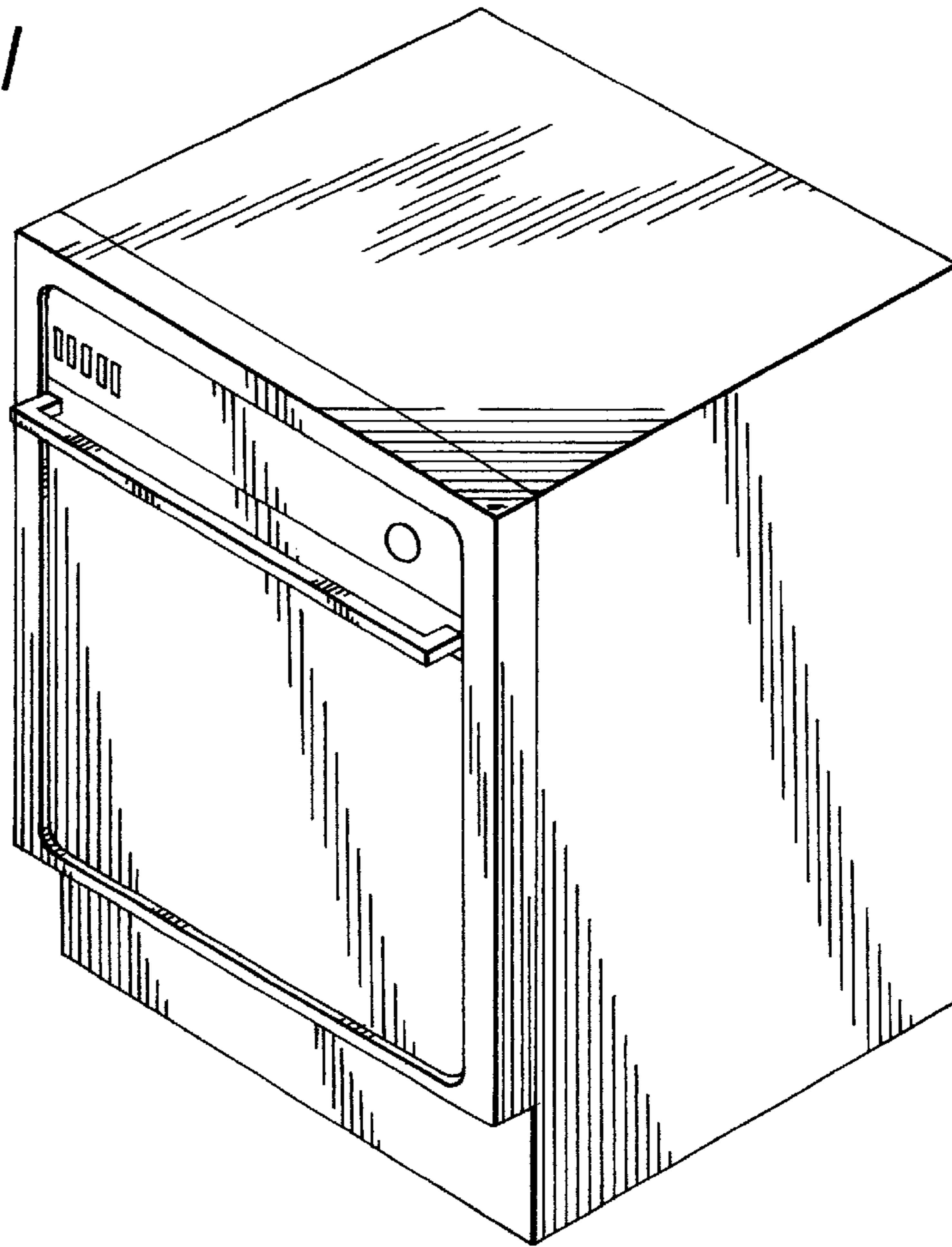


FIG. 2

FIG. 3

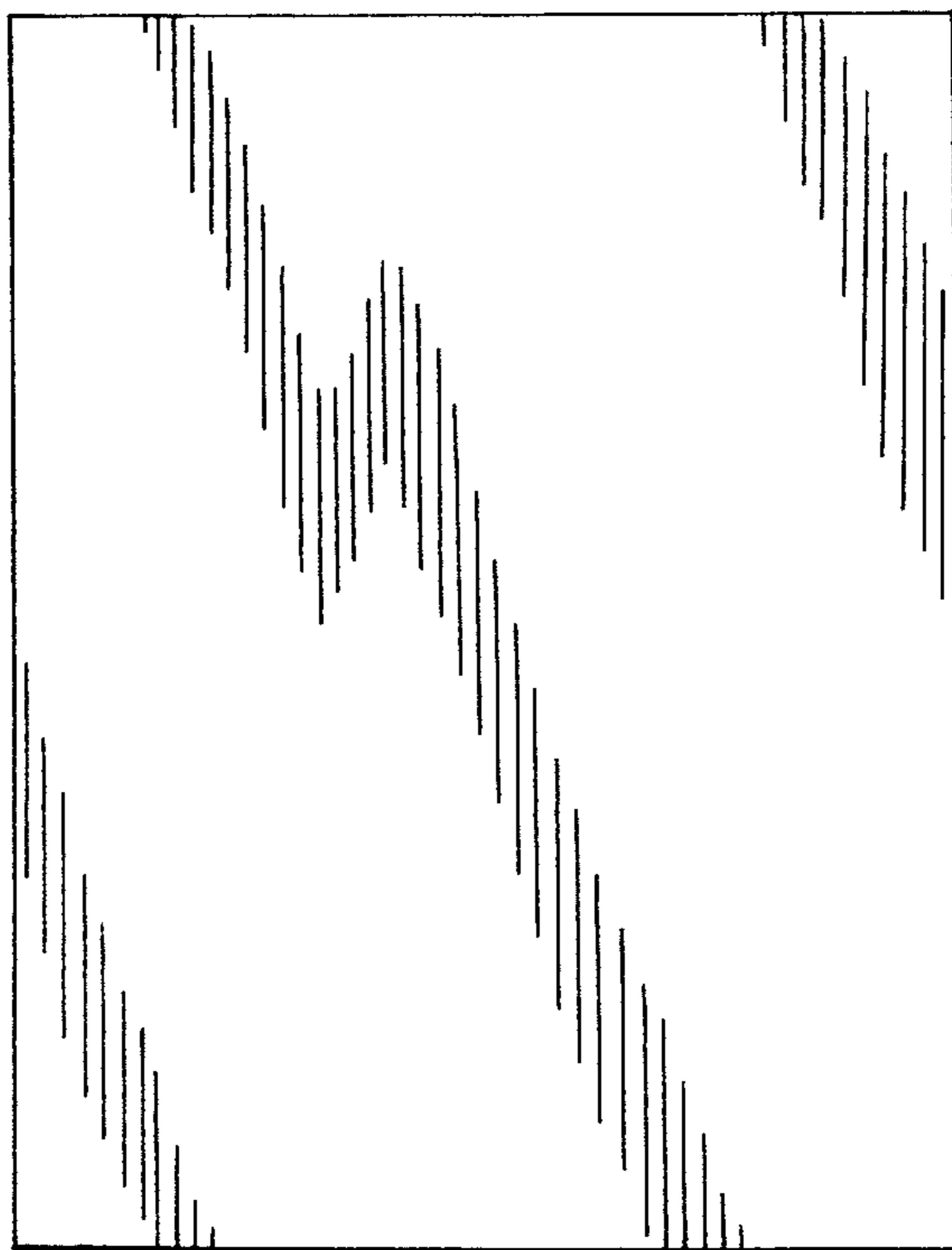


FIG. 4

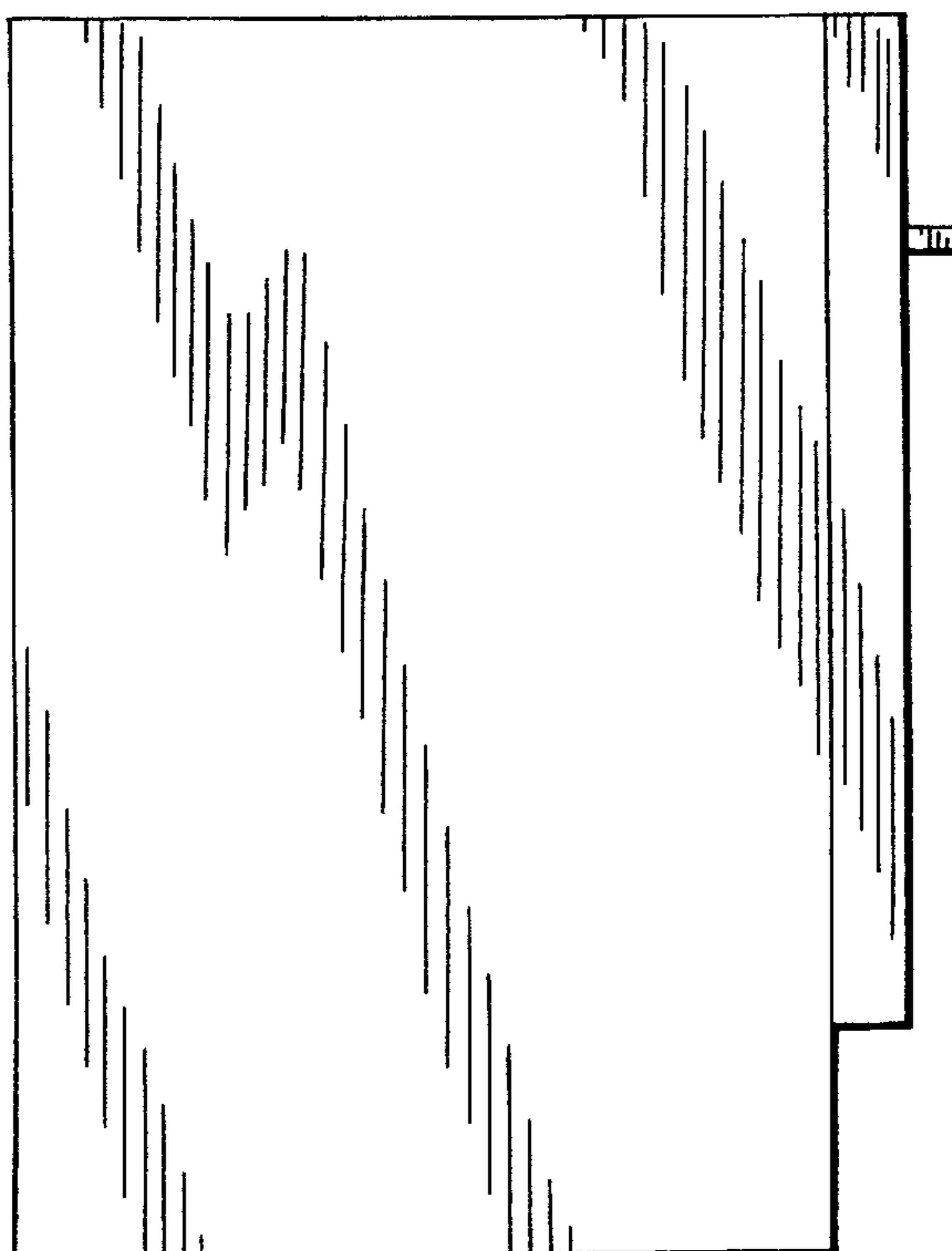


FIG. 5

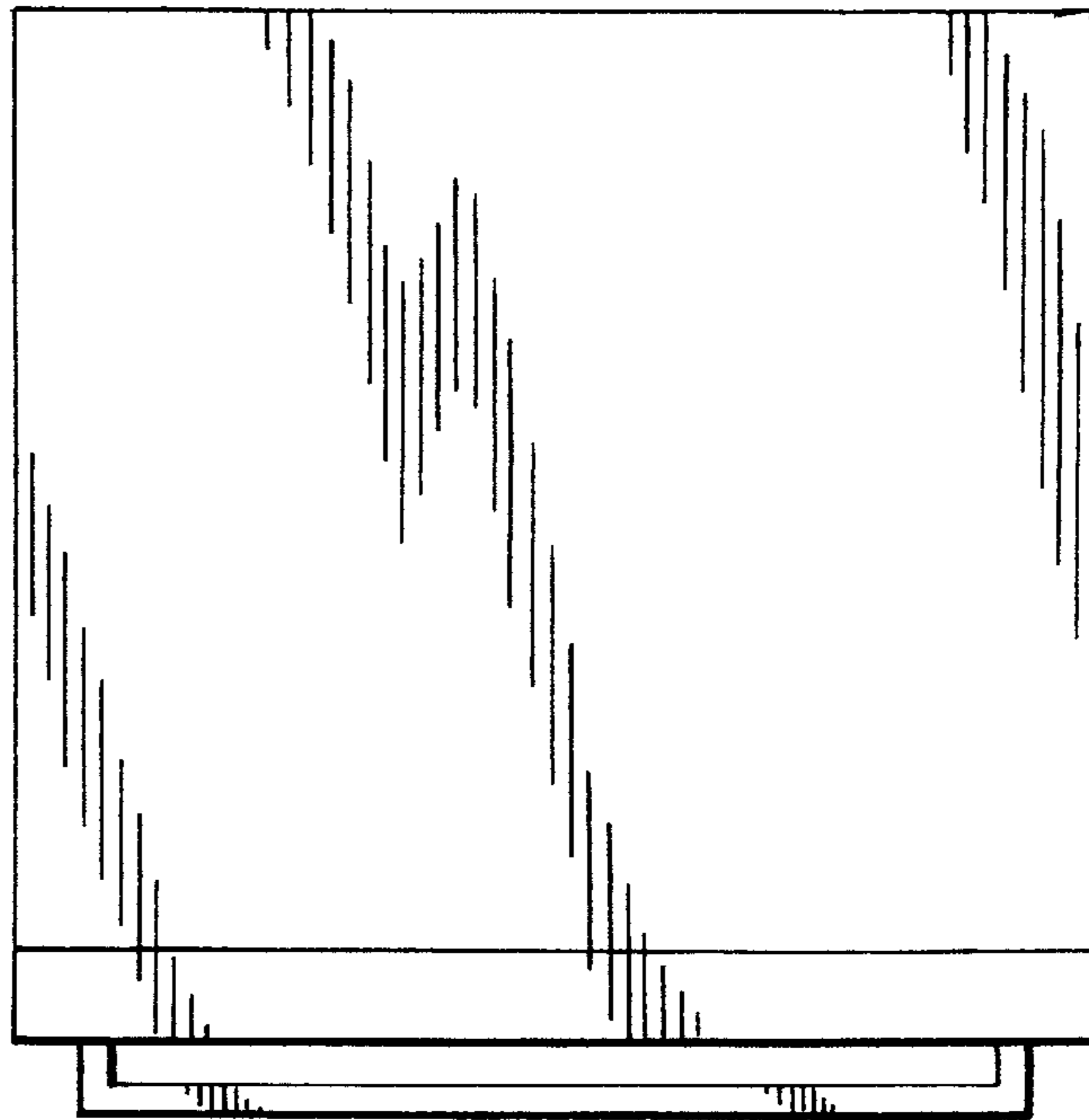


FIG. 6

