



US00D521194S

(12) **United States Design Patent**
Weiland

(10) **Patent No.:** **US D521,194 S**

(45) **Date of Patent:** **** May 16, 2006**

(54) **SWING ALONG PIVOTING BIRD FEEDER**

(75) Inventor: **Christi Weiland**, 1710 A Midway Pl.,
Menasha, WI (US) 54952

(73) Assignee: **Christi Weiland**, Menasha, WI (US)

(**) Term: **14 Years**

(21) Appl. No.: **29/224,304**

(22) Filed: **Feb. 28, 2005**

Related U.S. Application Data

(63) Continuation-in-part of application No. 29/209,990, filed on
Jul. 23, 2004, now abandoned.

(51) **LOC (8) Cl.** **30-03**

(52) **U.S. Cl.** **D30/124**

(58) **Field of Classification Search** D30/121,
D30/124-28, 110, 115, 117, 119; 119/51.01,
119/57.8, 53, 428-29, 433-35, 469
See application file for complete search history.

(56) **References Cited**

U.S. PATENT DOCUMENTS

2,801,611 A * 8/1957 Decker 119/57.8
D241,149 S * 8/1976 Miller D30/128

4,030,451 A * 6/1977 Miller 119/57.9
4,189,124 A * 2/1980 Faris 248/318
D265,939 S * 8/1982 Kilham D30/124
4,821,681 A * 4/1989 Tucker 119/51.01
5,215,040 A * 6/1993 Lemley 119/57.9
5,560,314 A * 10/1996 Wessinger 119/433
D429,852 S * 8/2000 Hogarty D30/128
6,561,128 B1 * 5/2003 Carter 119/57.9
D497,226 S * 10/2004 Nauert D30/199

* cited by examiner

Primary Examiner—Alan P. Douglas
Assistant Examiner—Susan Moon Lee

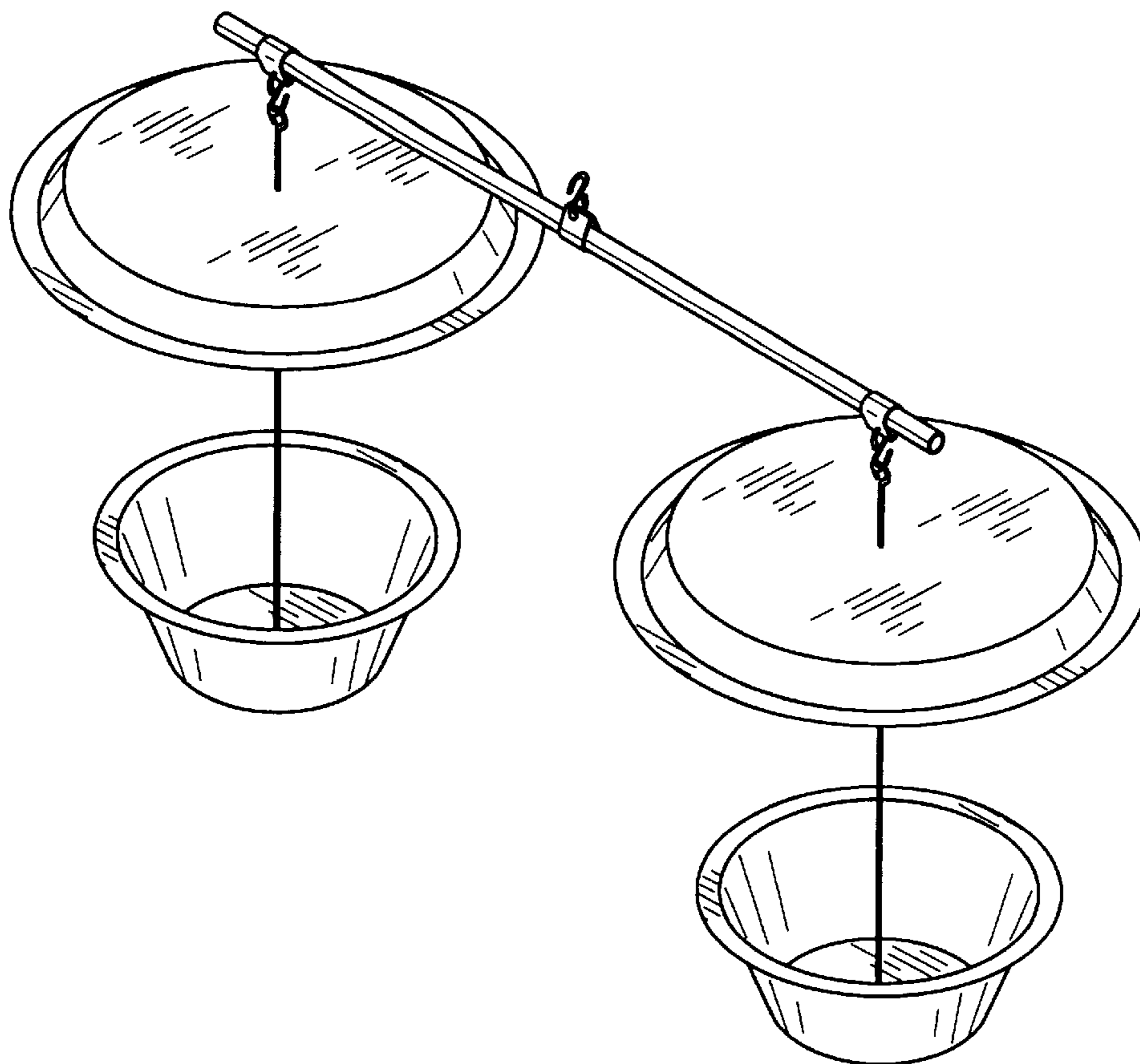
(57) **CLAIM**

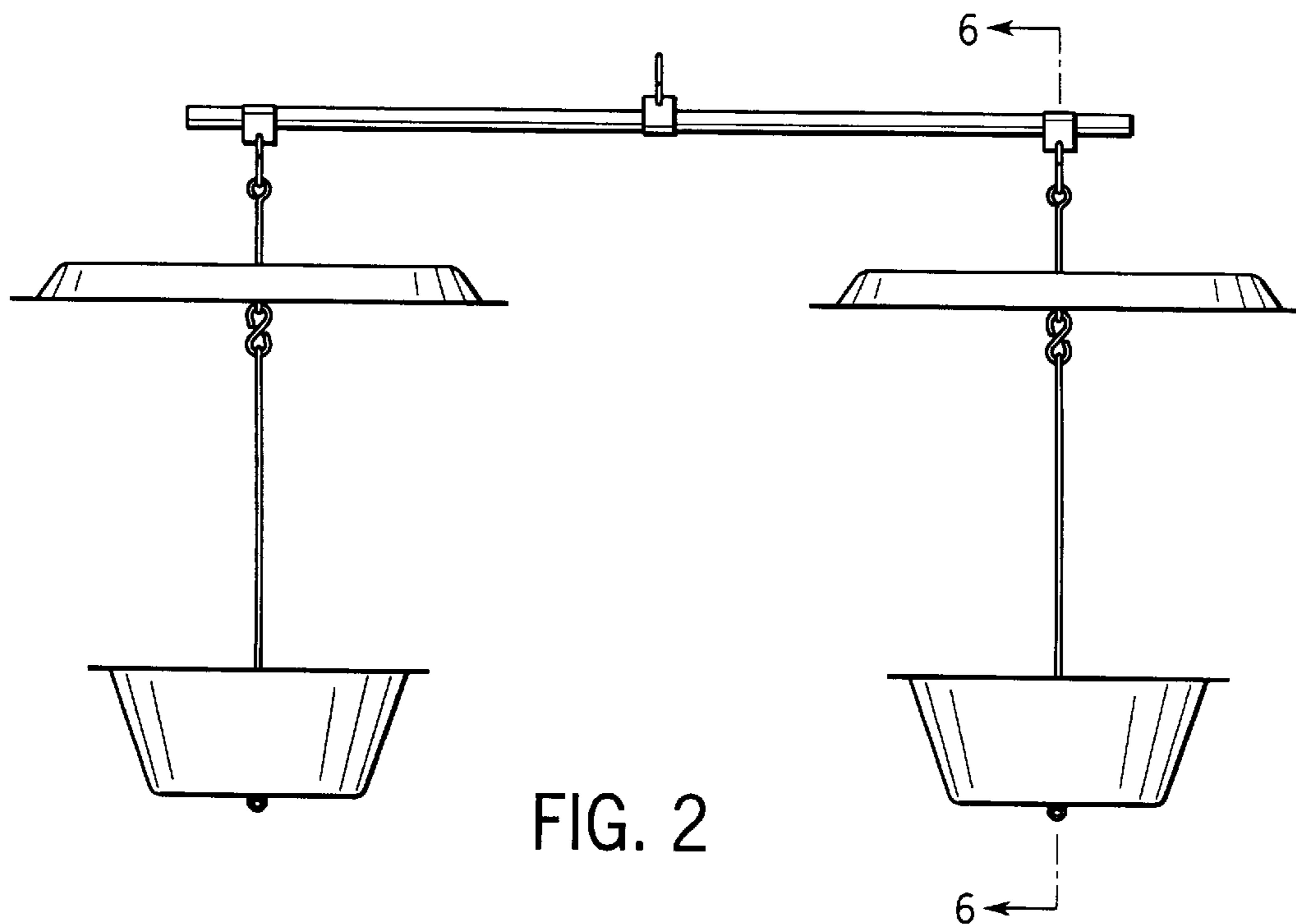
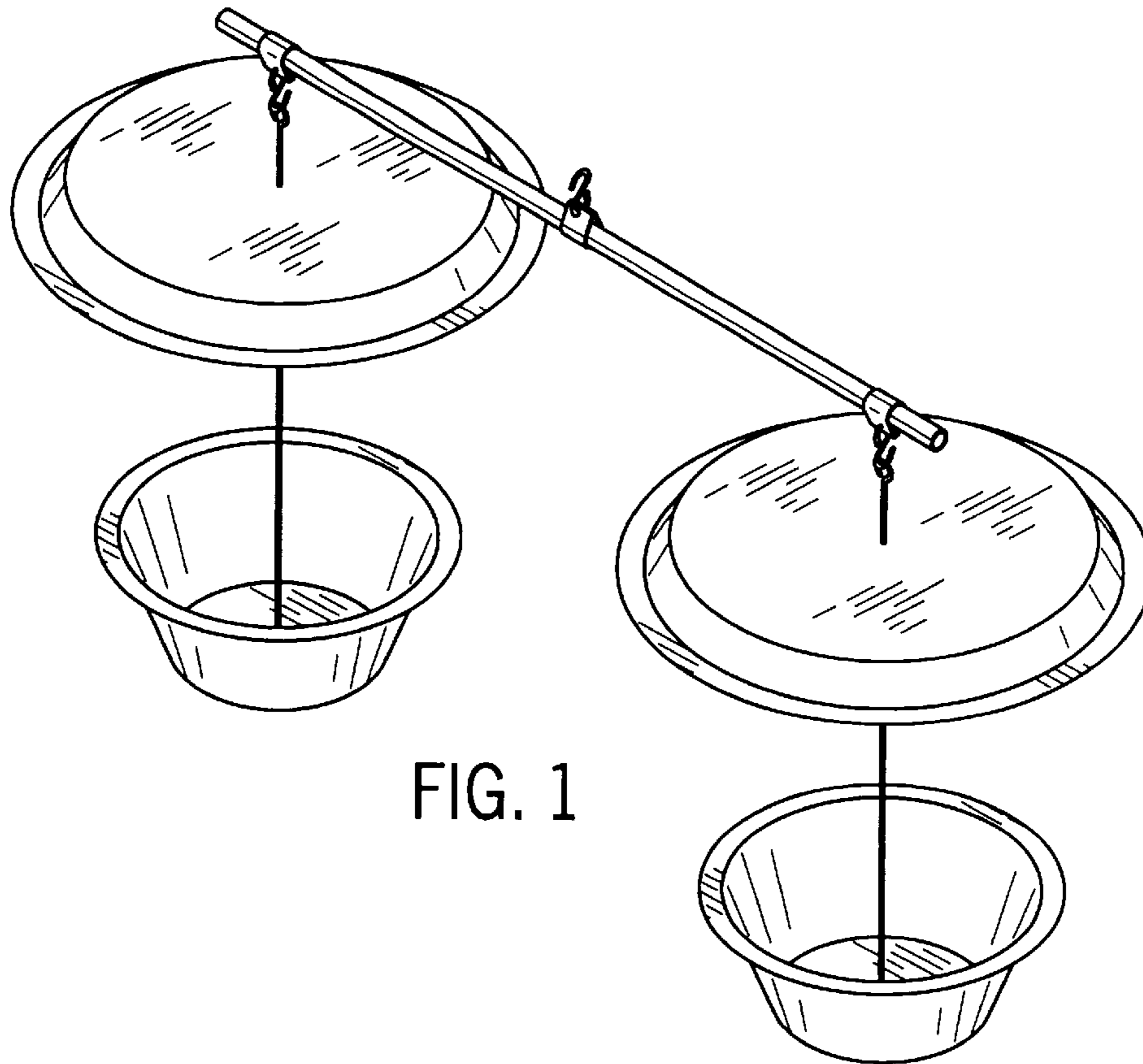
I claim the ornamental design for a swing along pivoting
bird feeder, as shown and described.

DESCRIPTION

FIG. 1 is an isometric view of a swing along pivoting bird
feeder showing my new design;
FIG. 2 is a front elevational view thereof;
FIG. 3 is a top plan view thereof;
FIG. 4 is a side view thereof;
FIG. 5 is a bottom view thereof; and,
FIG. 6 is an enlarged detail cross-section view taken along
line 6 of FIG. 2.

1 Claim, 3 Drawing Sheets





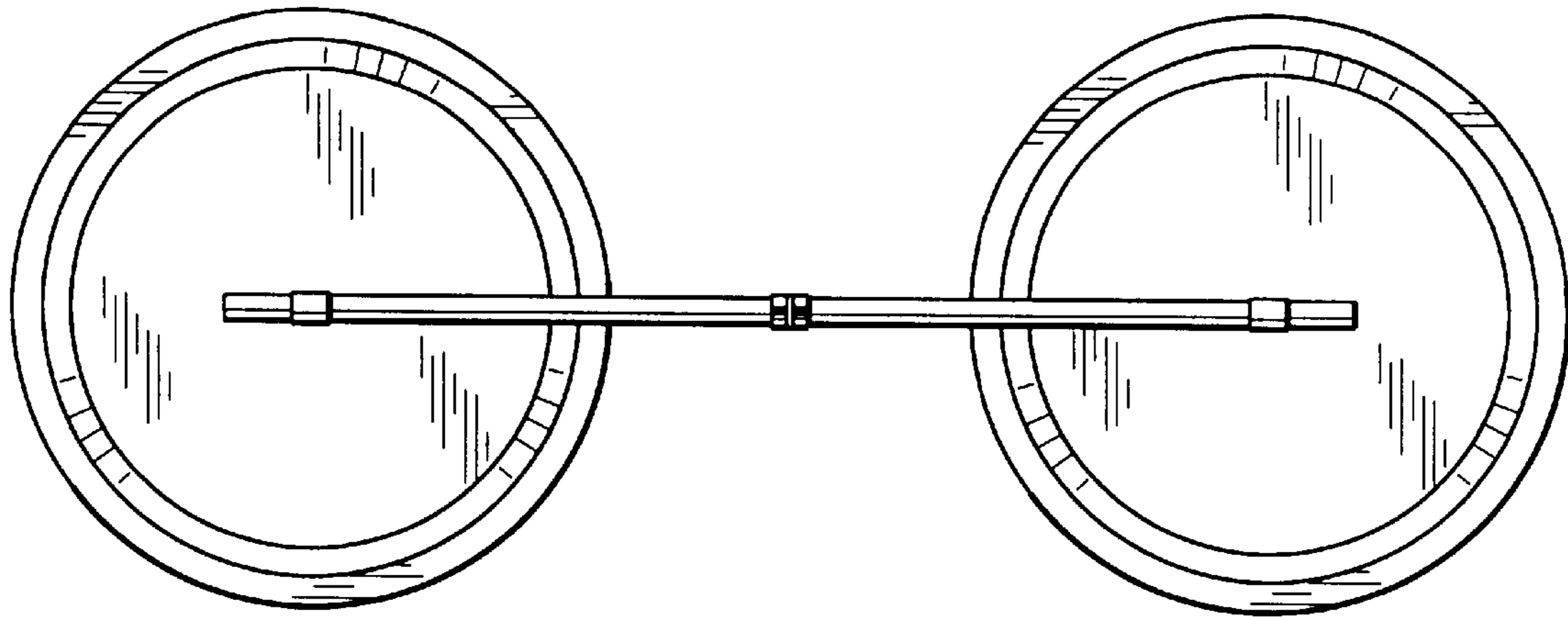


FIG. 3

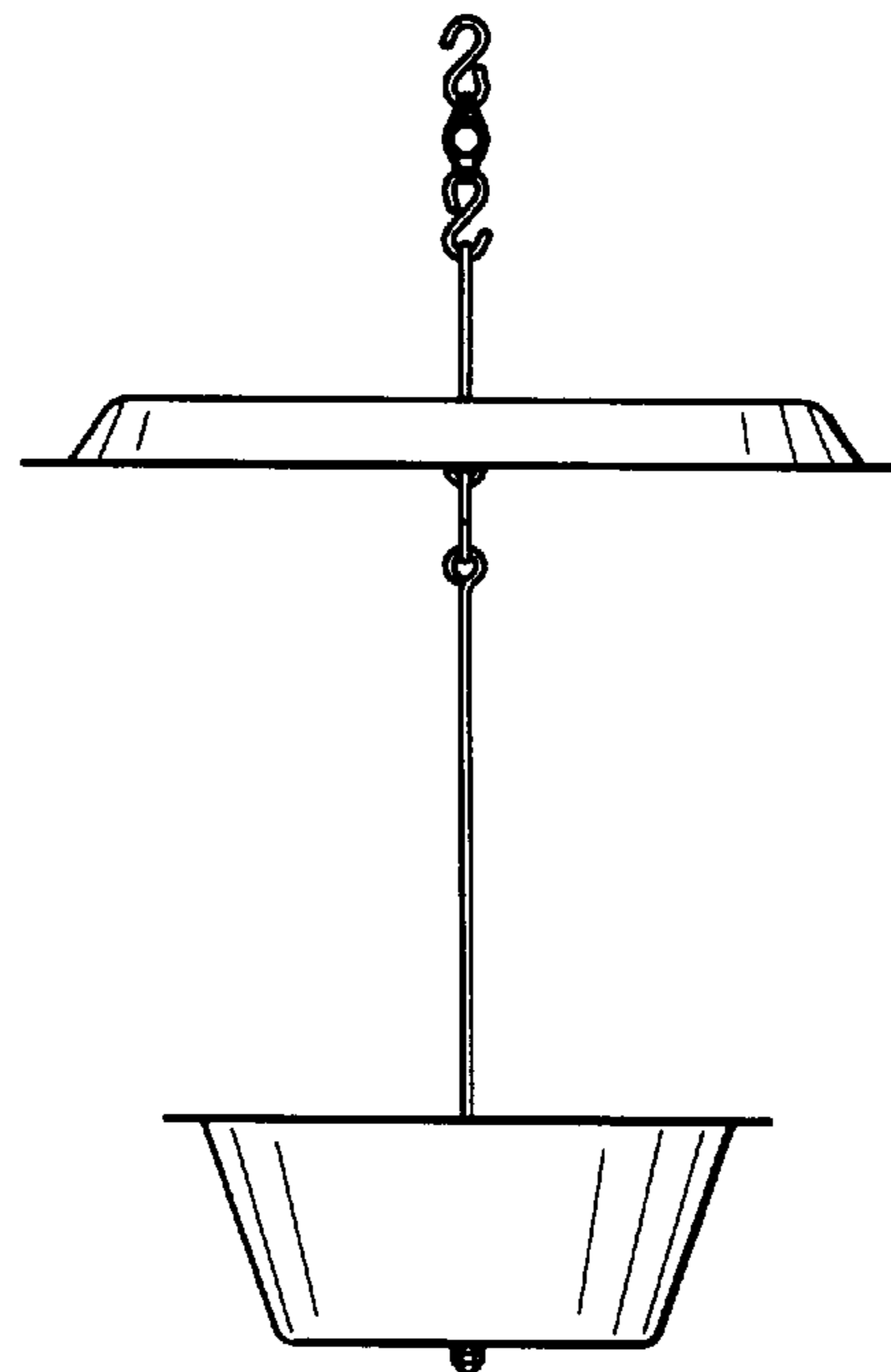
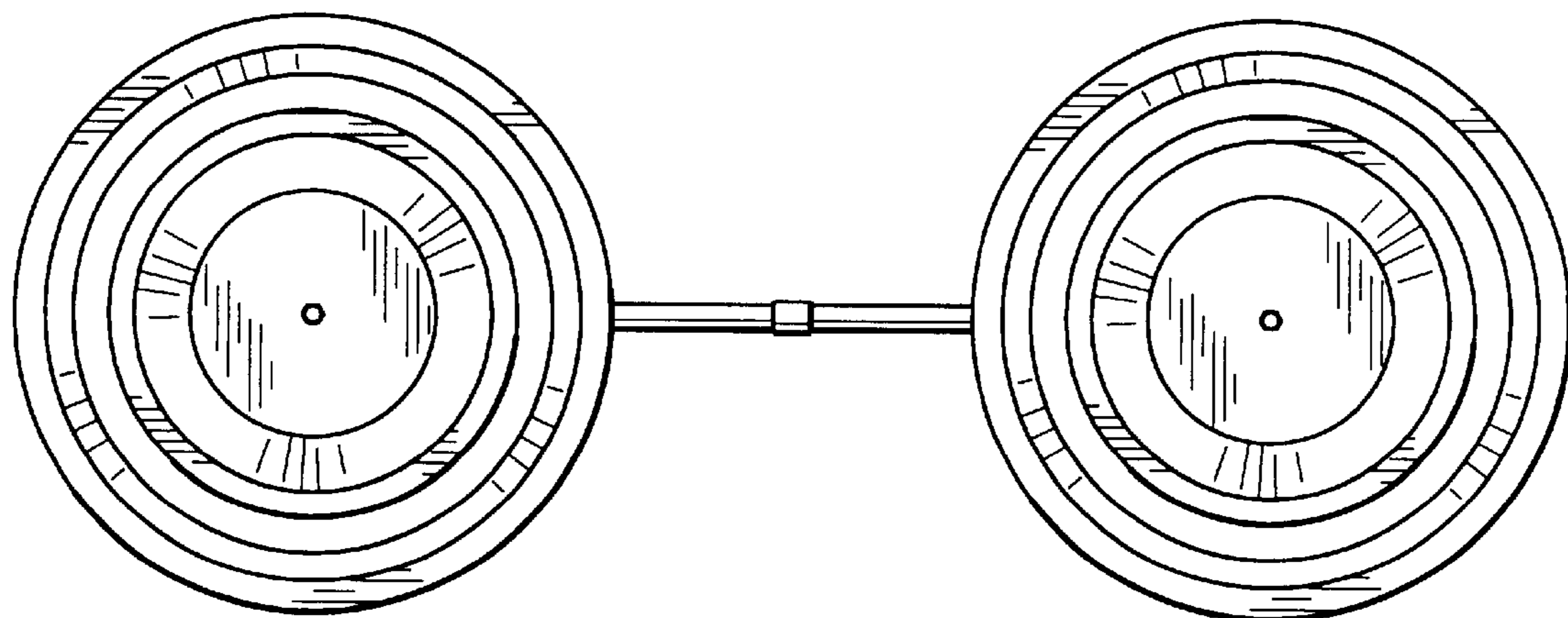


FIG. 4

FIG. 5



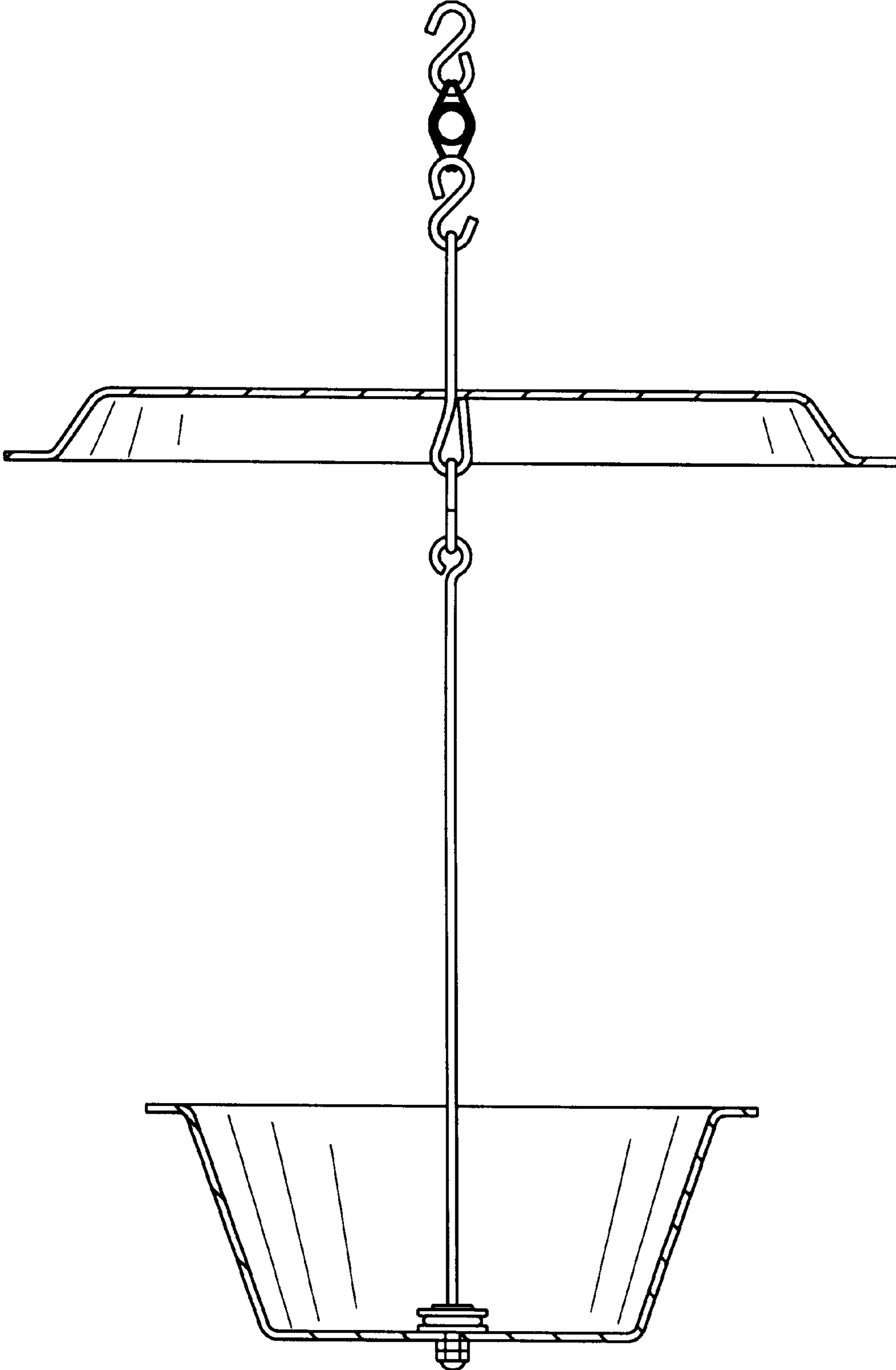


FIG. 6