

US00D521192S

(12) **United States Design Patent**
Morosin et al.

(10) **Patent No.:** **US D521,192 S**

(45) **Date of Patent:** **** May 16, 2006**

(54) **PET FOOD DISPENSER**

(76) Inventors: **Michael Keith Morosin**, 630 Quintana Rd., PMB-321, Morro Bay, CA (US) 93442; **Rose Chan Morosin**, 630 Quintana Rd., PMB-321, Morro Bay, CA (US) 93442

(**) **Term:** **14 Years**

(21) **Appl. No.:** **29/205,451**

(22) **Filed:** **May 14, 2004**

(51) **LOC (8) Cl.** **30-07**

(52) **U.S. Cl.** **D30/122**

(58) **Field of Classification Search** D30/121, D30/122, 132, 129; 119/51.5, 51.11, 51.15, 119/53, 53.5, 54, 57.5, 61.5, 61.54, 75
See application file for complete search history.

4,981,106 A	1/1991	Nagatomo	
D316,382 S	*	4/1991 Lorenzana et al. D11/164
D334,251 S	*	3/1993 Tiu D30/122
D351,689 S	*	10/1994 VanSkiver D30/121
5,363,805 A	11/1994	Wing	
D371,643 S	*	7/1996 Lillelund et al. D30/122
D374,516 S	*	10/1996 Lillelund et al. D30/132
D383,797 S	*	9/1997 Finnegan D30/132
6,062,166 A	5/2000	Macrina	
D457,692 S	*	5/2002 Skurdalsvold et al. D30/132

* cited by examiner

Primary Examiner—Alan P. Douglas

Assistant Examiner—Susan Moon Lee

(74) *Attorney, Agent, or Firm*—Knobbe, Martens, Olson & Bear, LLP

(57) **CLAIM**

The ornamental design for a pet food dispenser, as shown and described.

(56) **References Cited**

U.S. PATENT DOCUMENTS

3,638,618 A	2/1972	Strother	
3,785,348 A	1/1974	Polidori, Sr. et al.	
D232,658 S	*	9/1974 Fassauer D30/121
3,920,224 A	*	11/1975 Fassauer 366/131
3,942,478 A	3/1976	Lane	
4,069,793 A	1/1978	Gower	
D286,333 S	*	10/1986 Fassauer D30/130
D300,277 S	3/1989	Clark	
4,889,077 A	12/1989	Possis	

DESCRIPTION

FIG. 1 is a perspective view of a pet food dispenser, showing our new design;

FIG. 2 is a right side elevational view thereof;

FIG. 3 is a left side elevational view thereof;

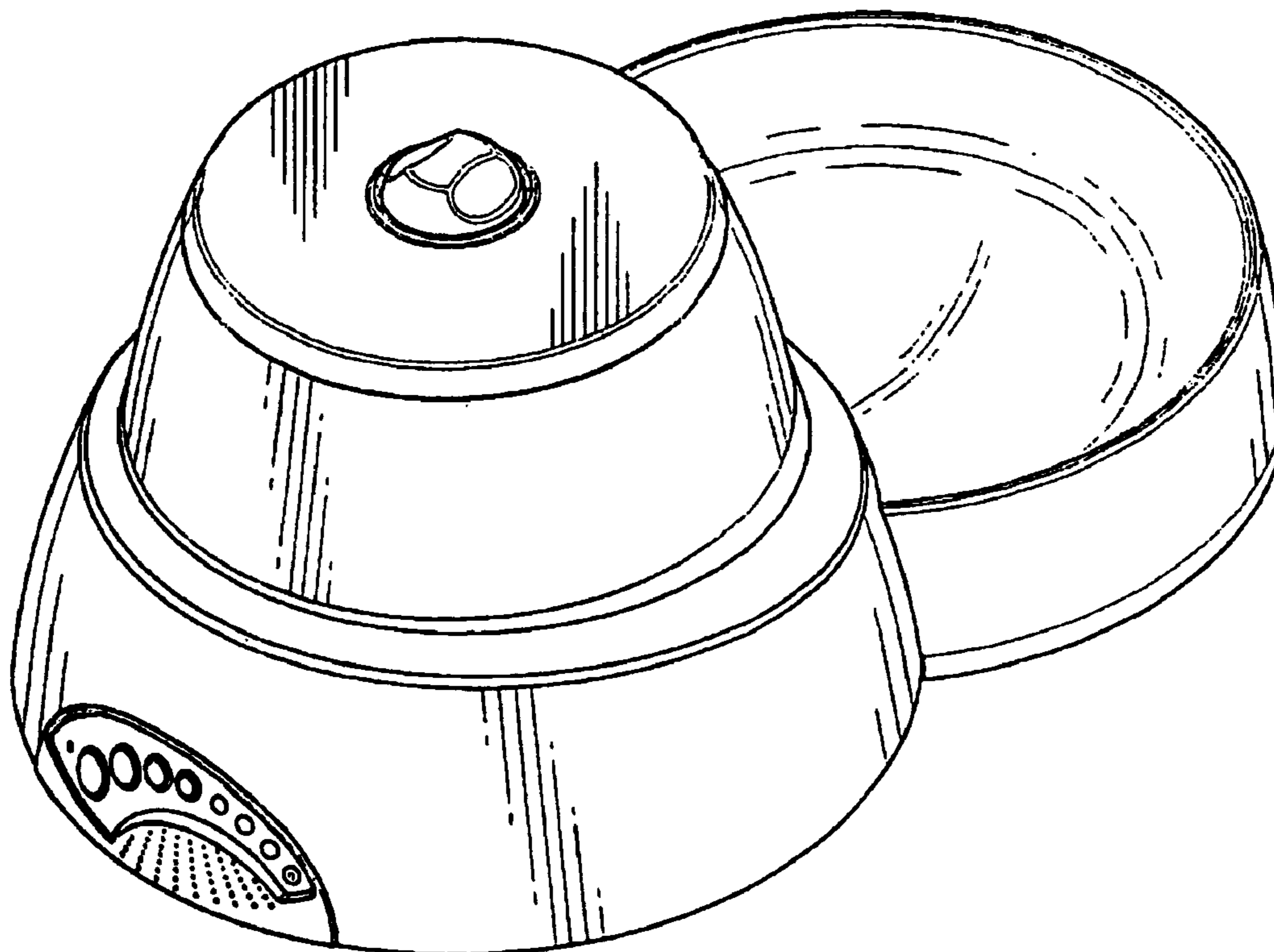
FIG. 4 is a rear elevational view thereof;

FIG. 5 is a front elevational view thereof;

FIG. 6 is a top plan view thereof; and,

FIG. 7 is a bottom plan view thereof.

1 Claim, 7 Drawing Sheets



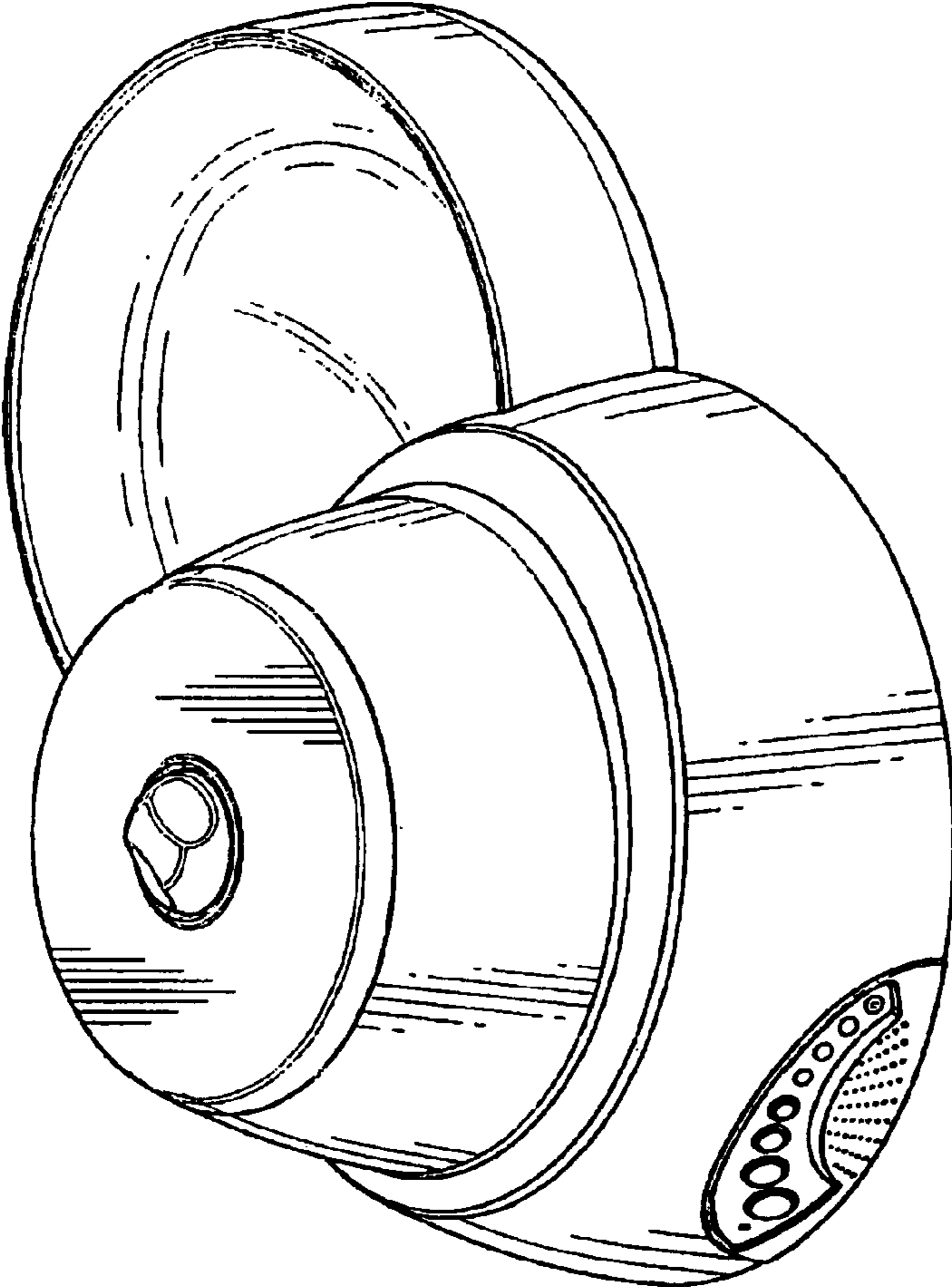


FIG. 1

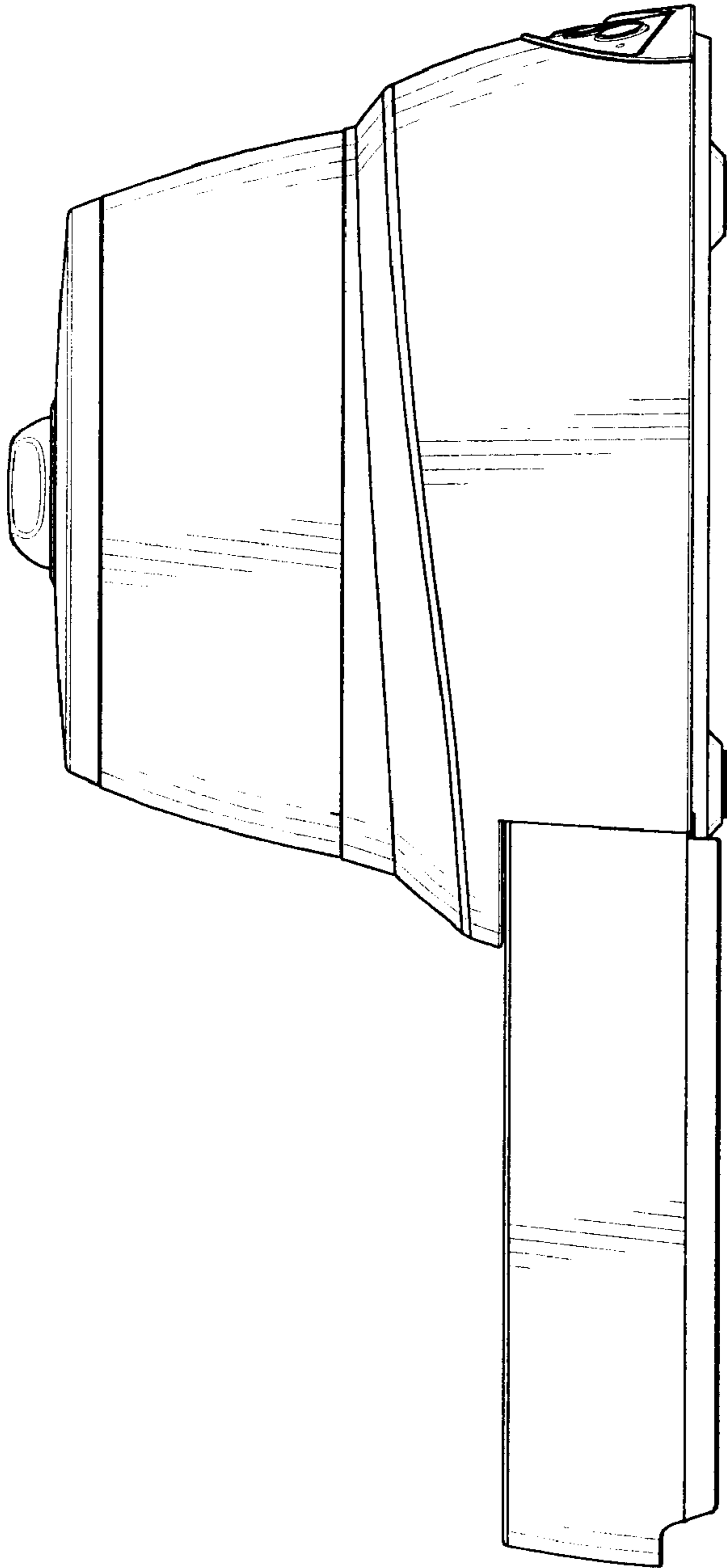


FIG. 2

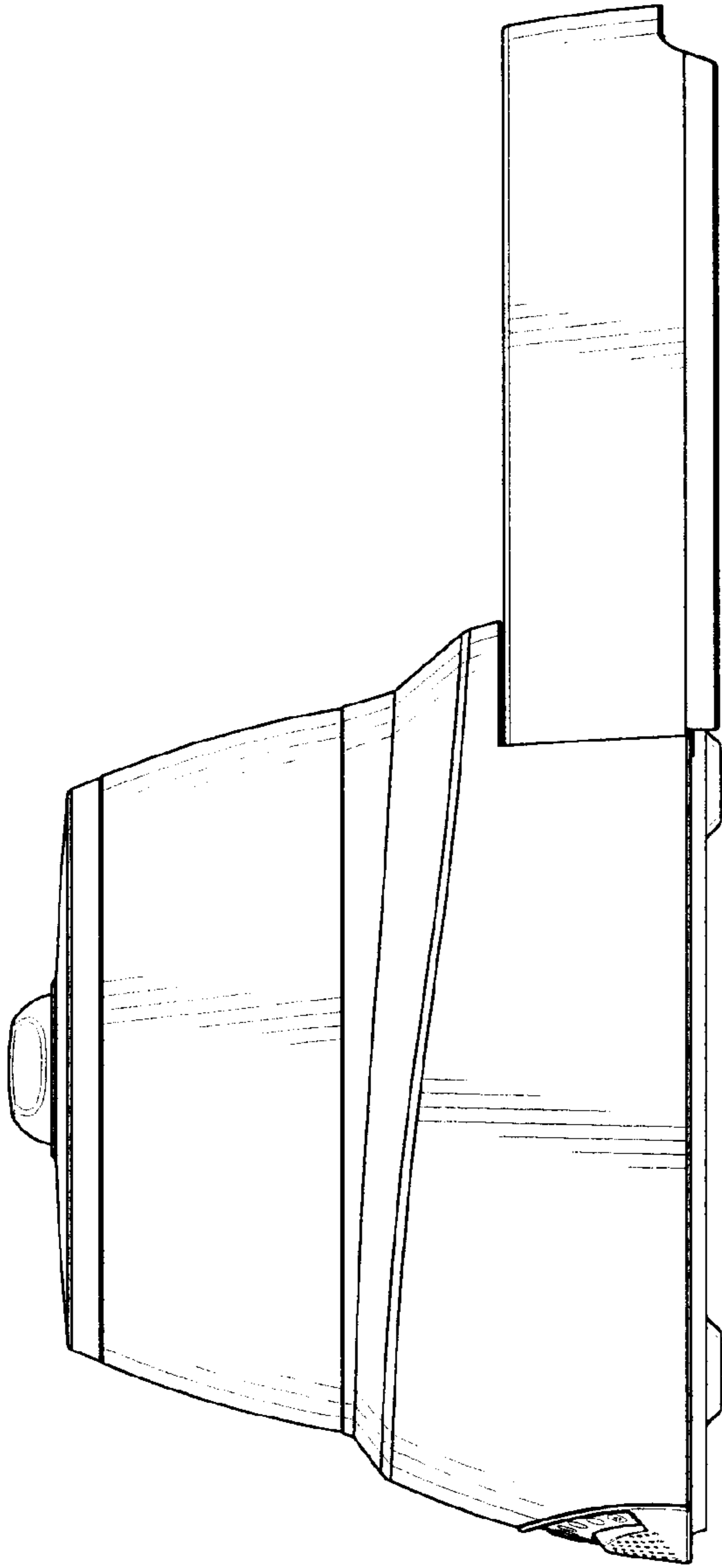


FIG. 3

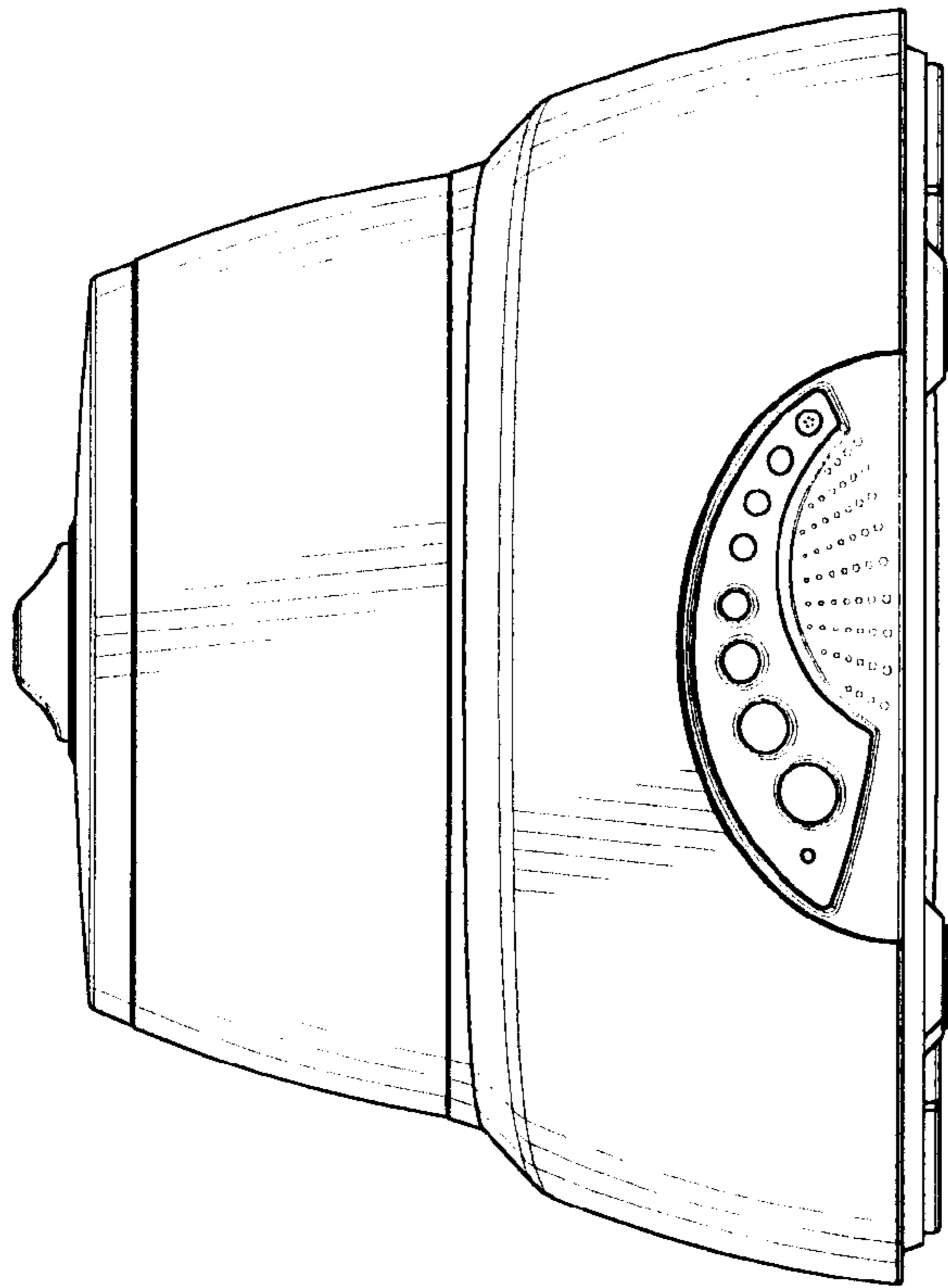


FIG. 4

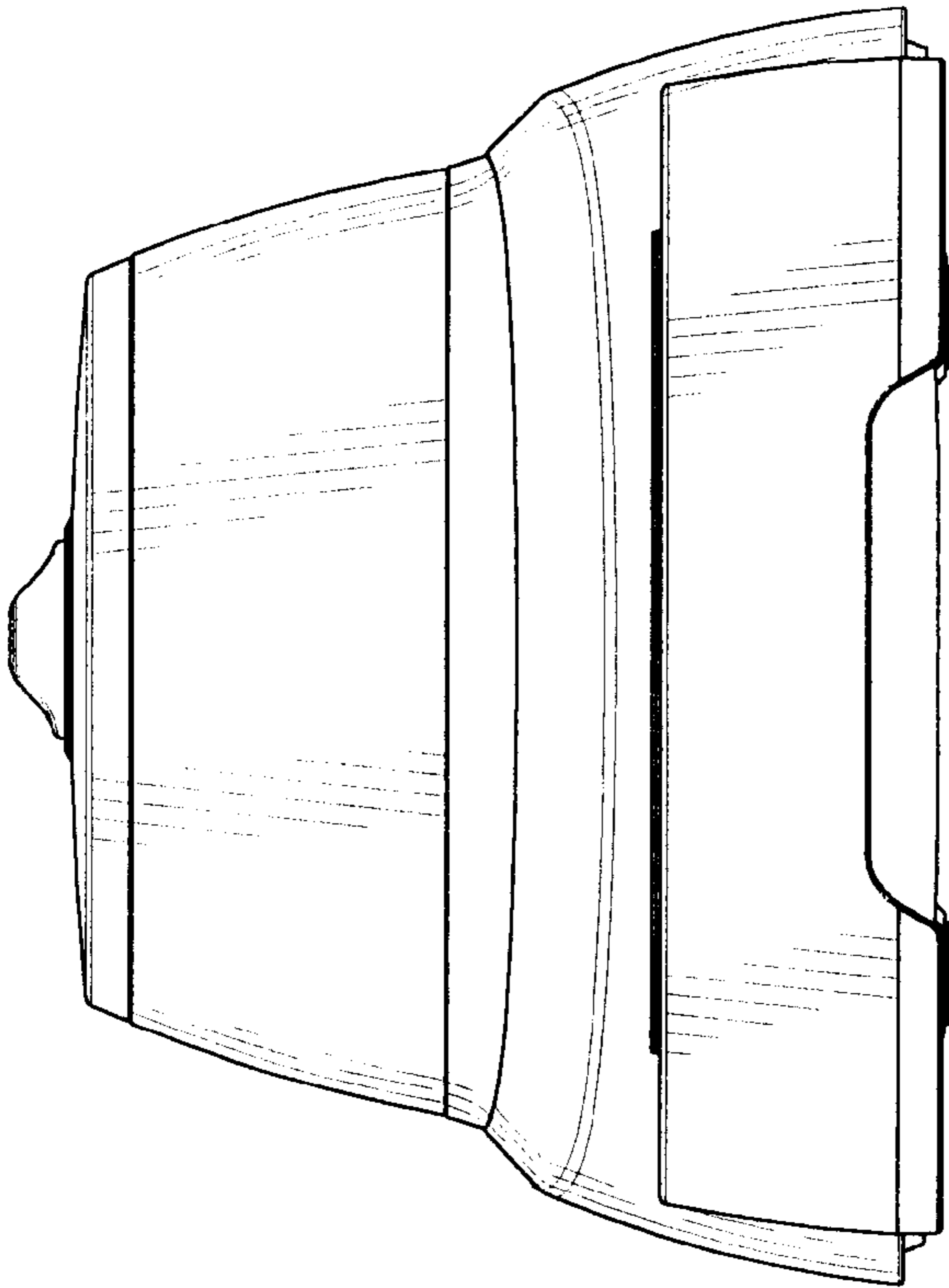


FIG. 5

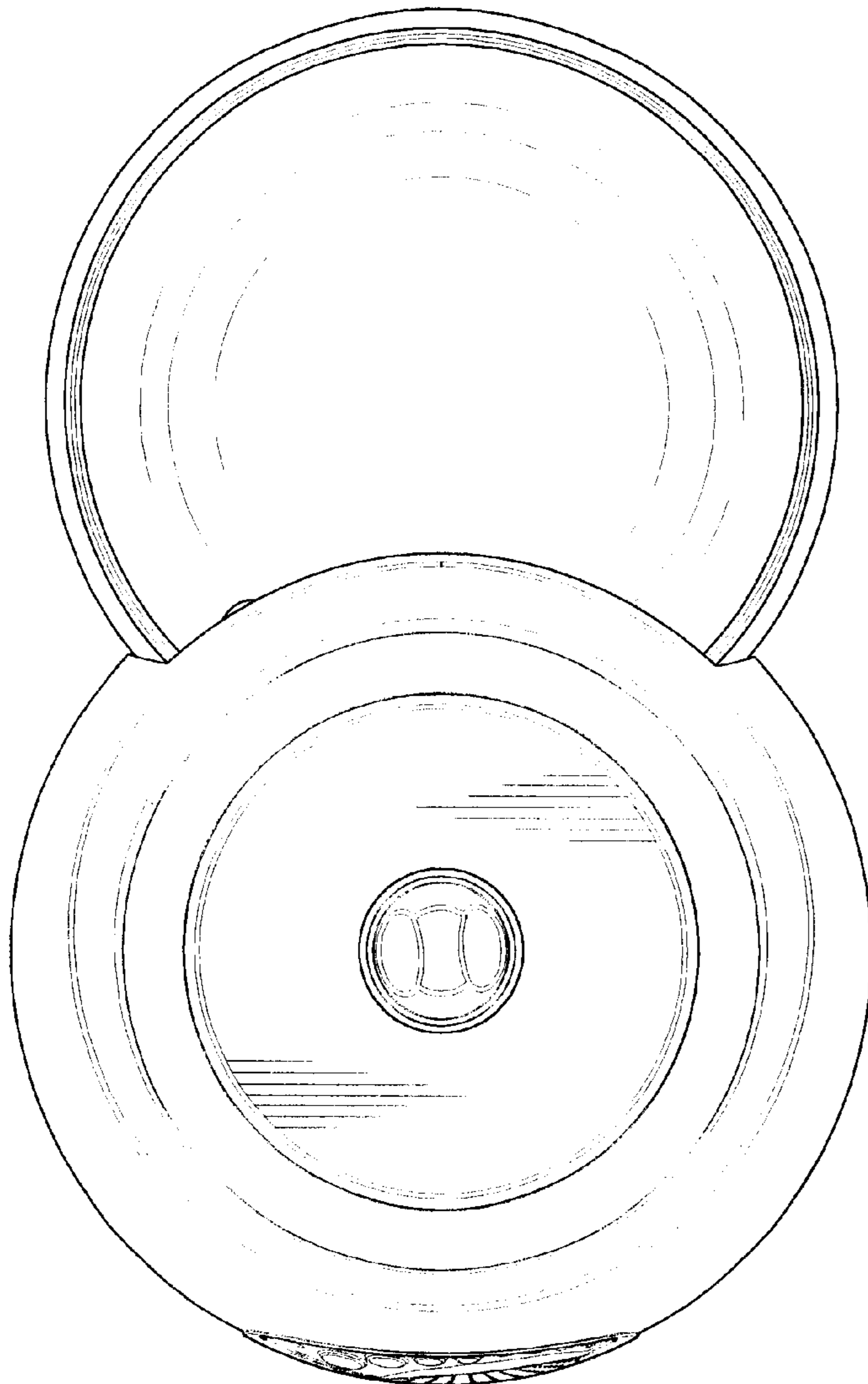


FIG. 6

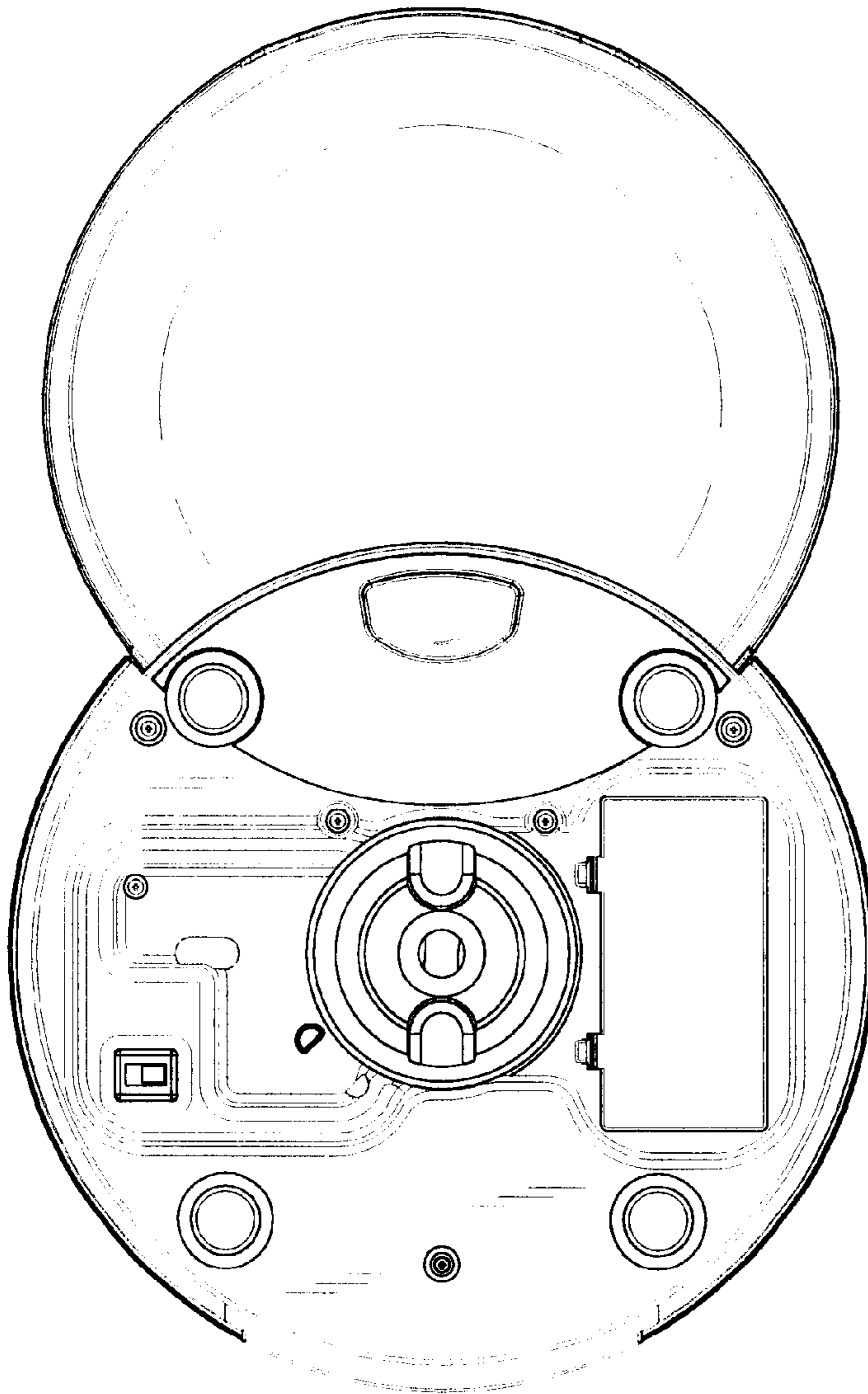


FIG. 7