

US00D521190S

(12) **United States Design Patent**  
**Wu**

(10) **Patent No.:** **US D521,190 S**

(45) **Date of Patent:** **\*\* May 16, 2006**

(54) **WELDING HELMET**

(75) Inventor: **Ziqian Wu**, Nanjing (CN)

(73) Assignee: **Central Purchasing, LLC**, Camarillo, CA (US)

(\*\*) Term: **14 Years**

(21) Appl. No.: **29/219,779**

(22) Filed: **Dec. 21, 2004**

(51) **LOC (8) Cl.** ..... **29-02**

(52) **U.S. Cl.** ..... **D29/110**

(58) **Field of Classification Search** ..... D29/102-103,  
D29/107-110, 122; D2/891; D24/137, 150,  
D24/172; D26/39; 2/8, 424, 432; 349/14;  
219/147

See application file for complete search history.

(56) **References Cited**

**U.S. PATENT DOCUMENTS**

D310,276 S	8/1990	Fuerthbauer et al.	
D310,432 S	9/1990	Boochar	
D365,666 S	* 12/1995	Gumpp	..... D29/110
5,571,217 A	11/1996	Del Bon et al.	
D393,933 S	4/1998	Huh	

D394,732 S	5/1998	Huh
D398,421 S	9/1998	Crafoord et al.
D419,727 S	1/2000	Verkic et al.
D431,328 S	9/2000	Tanner
D446,887 S	8/2001	Young
D481,832 S	11/2003	Huh
D489,492 S	5/2004	Wu

\* cited by examiner

*Primary Examiner*—Ruth McInroy

(74) *Attorney, Agent, or Firm*—Amster, Rothstein & Ebenstein

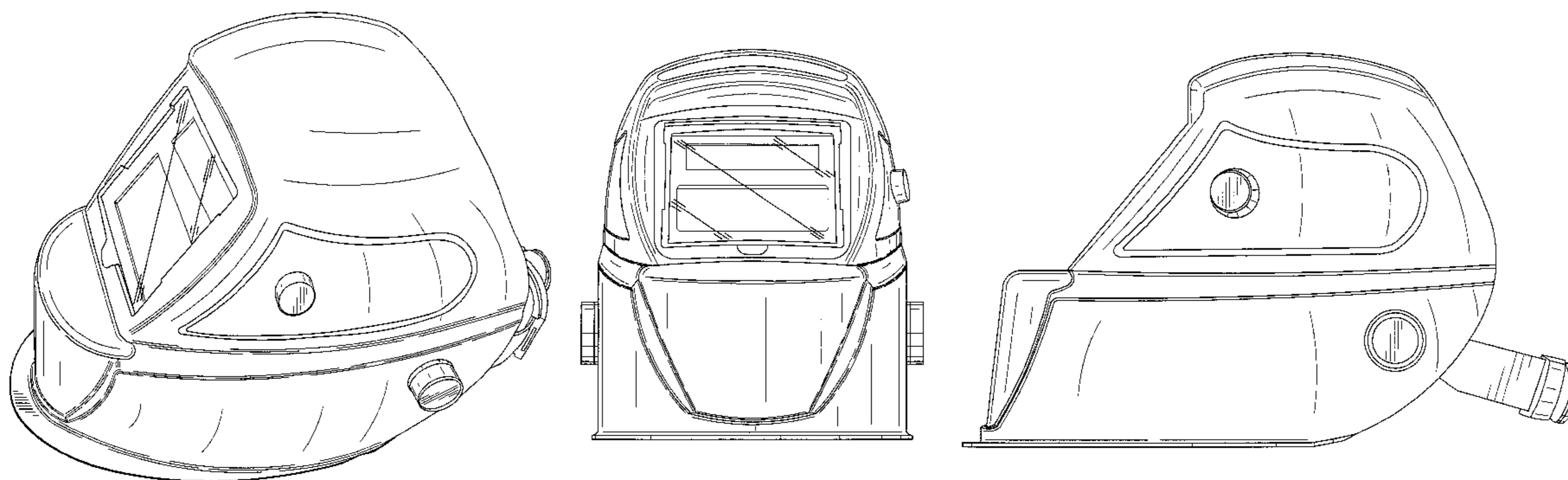
(57) **CLAIM**

The ornamental design for a welding helmet, as shown and described.

**DESCRIPTION**

FIG. 1 is a perspective view of a welding helmet showing my new design;  
FIG. 2 is a front elevational view thereof;  
FIG. 3 is a rear elevational view thereof;  
FIG. 4 is a left side elevational view thereof;  
FIG. 5 is a right side elevational view thereof;  
FIG. 6 is a bottom elevational view thereof; and,  
FIG. 7 is a top elevational view thereof.

**1 Claim, 7 Drawing Sheets**



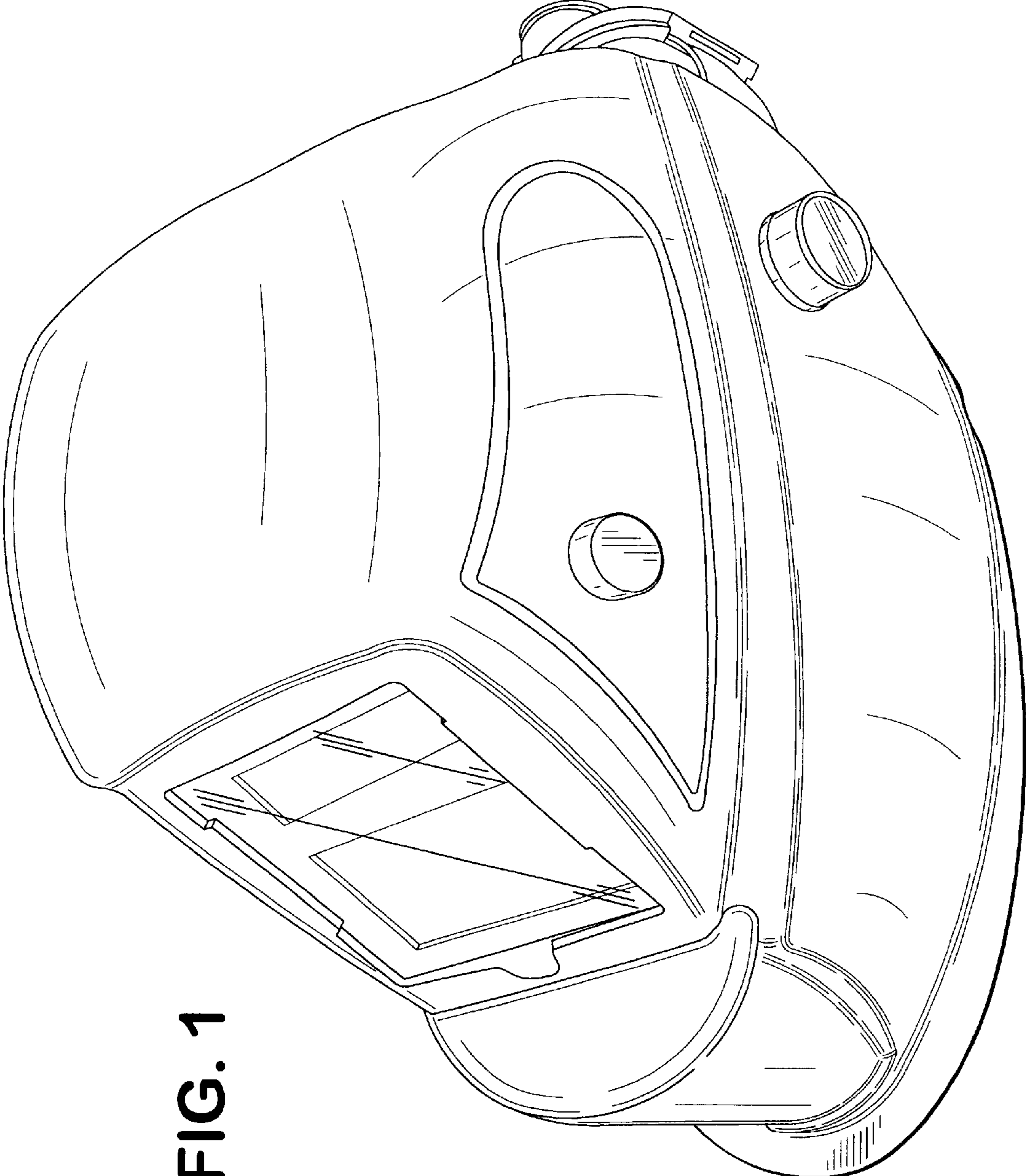
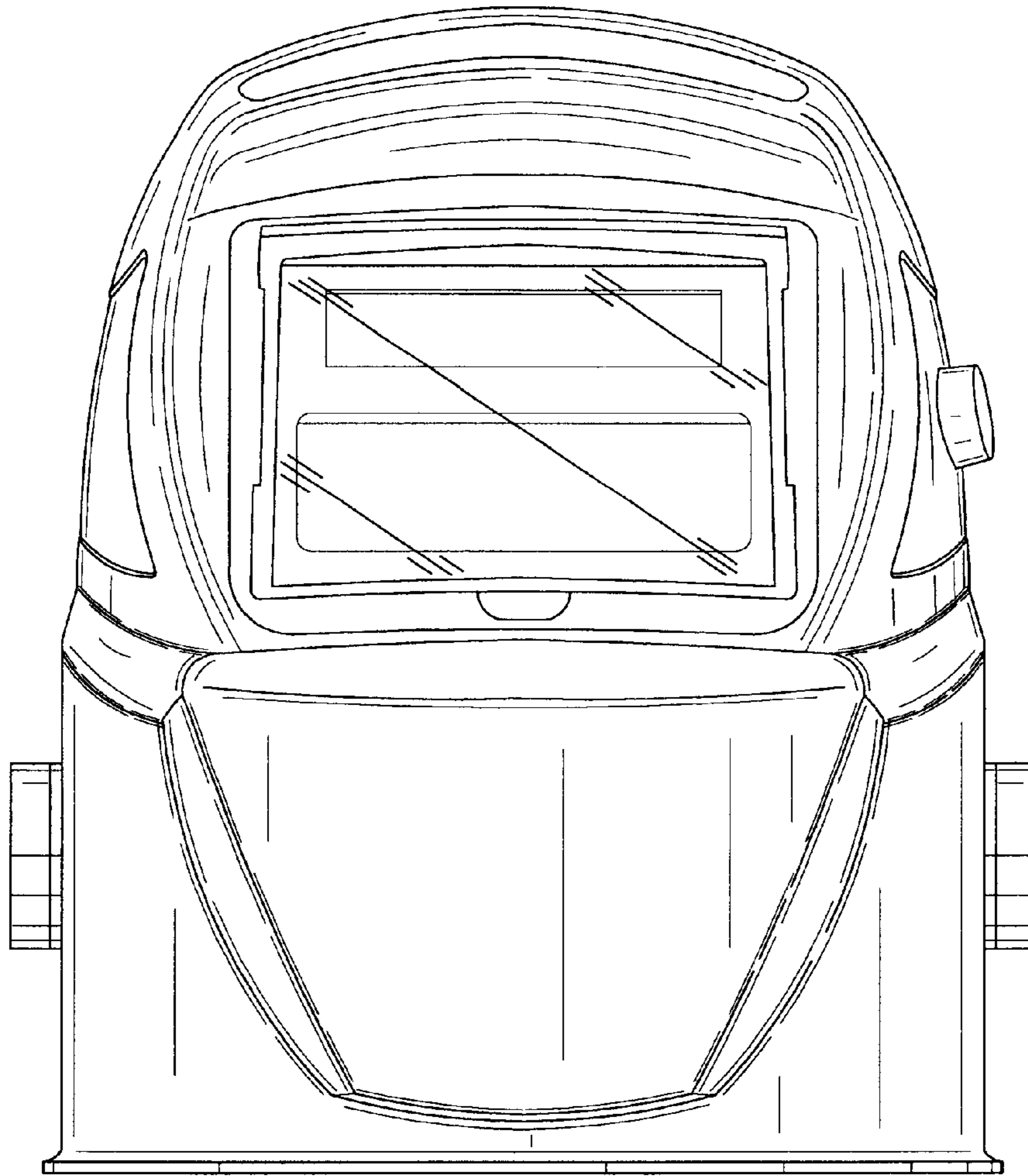
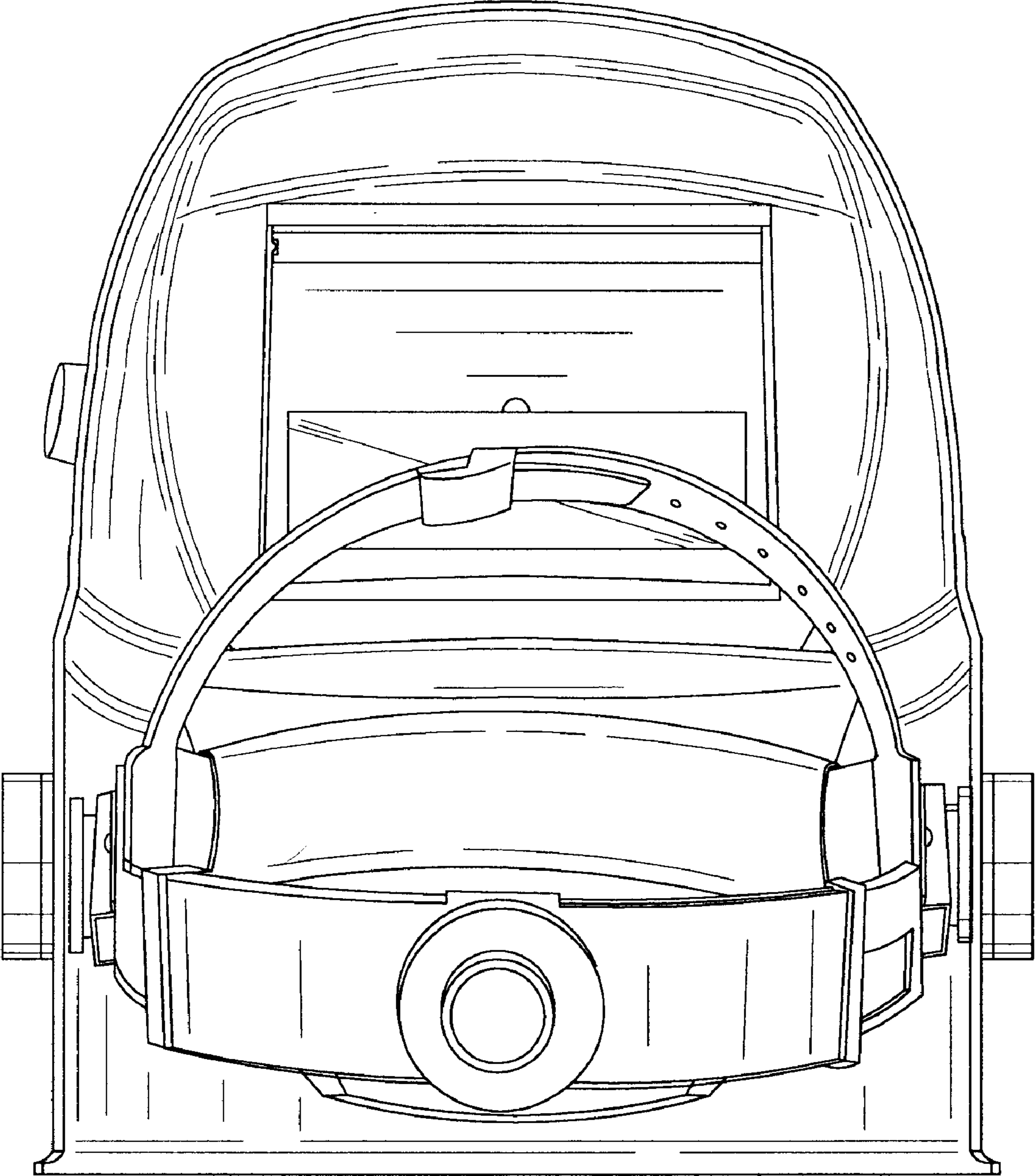


FIG. 1



**FIG. 2**



**FIG. 3**



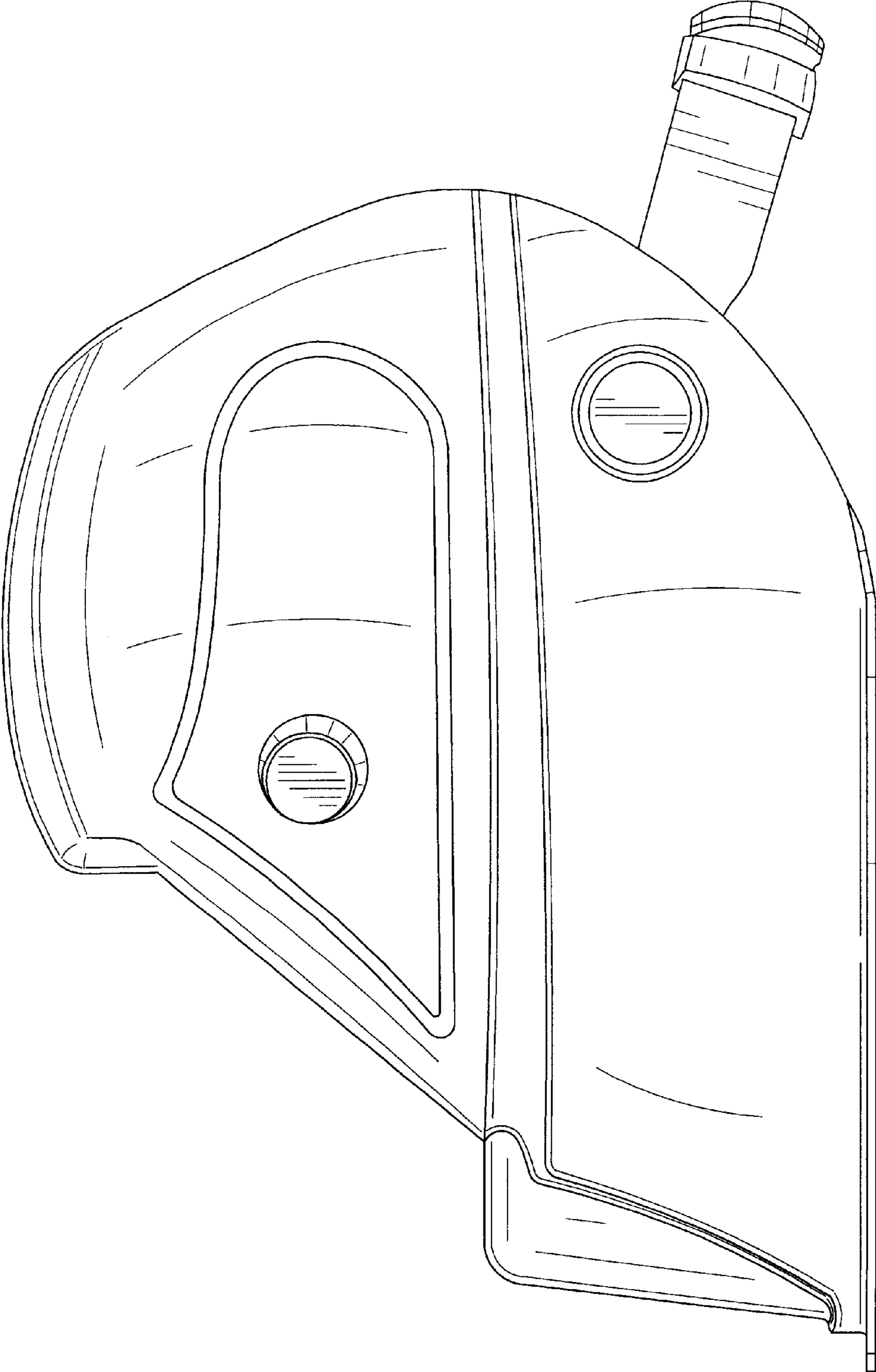


FIG. 4

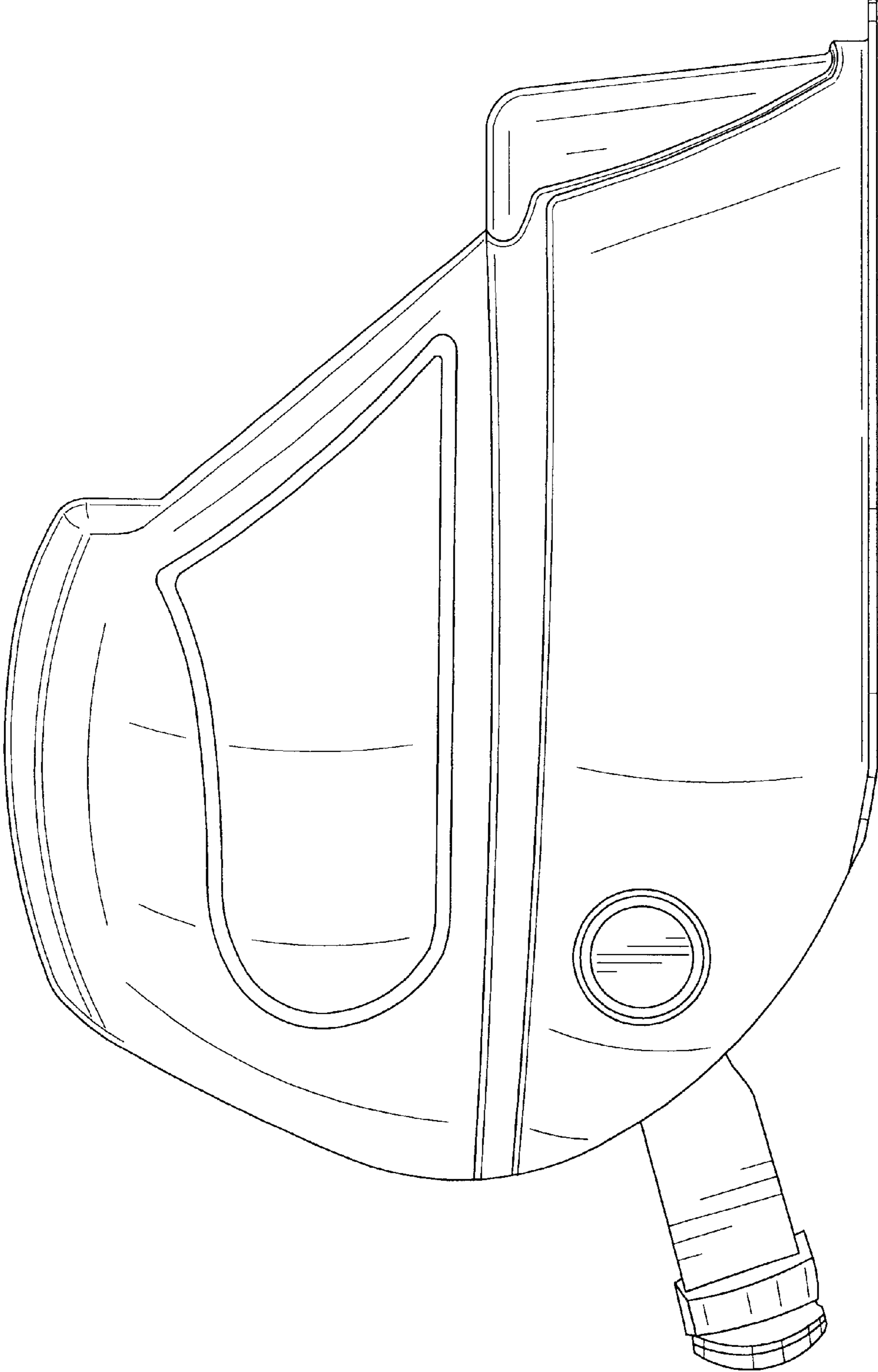


FIG. 5

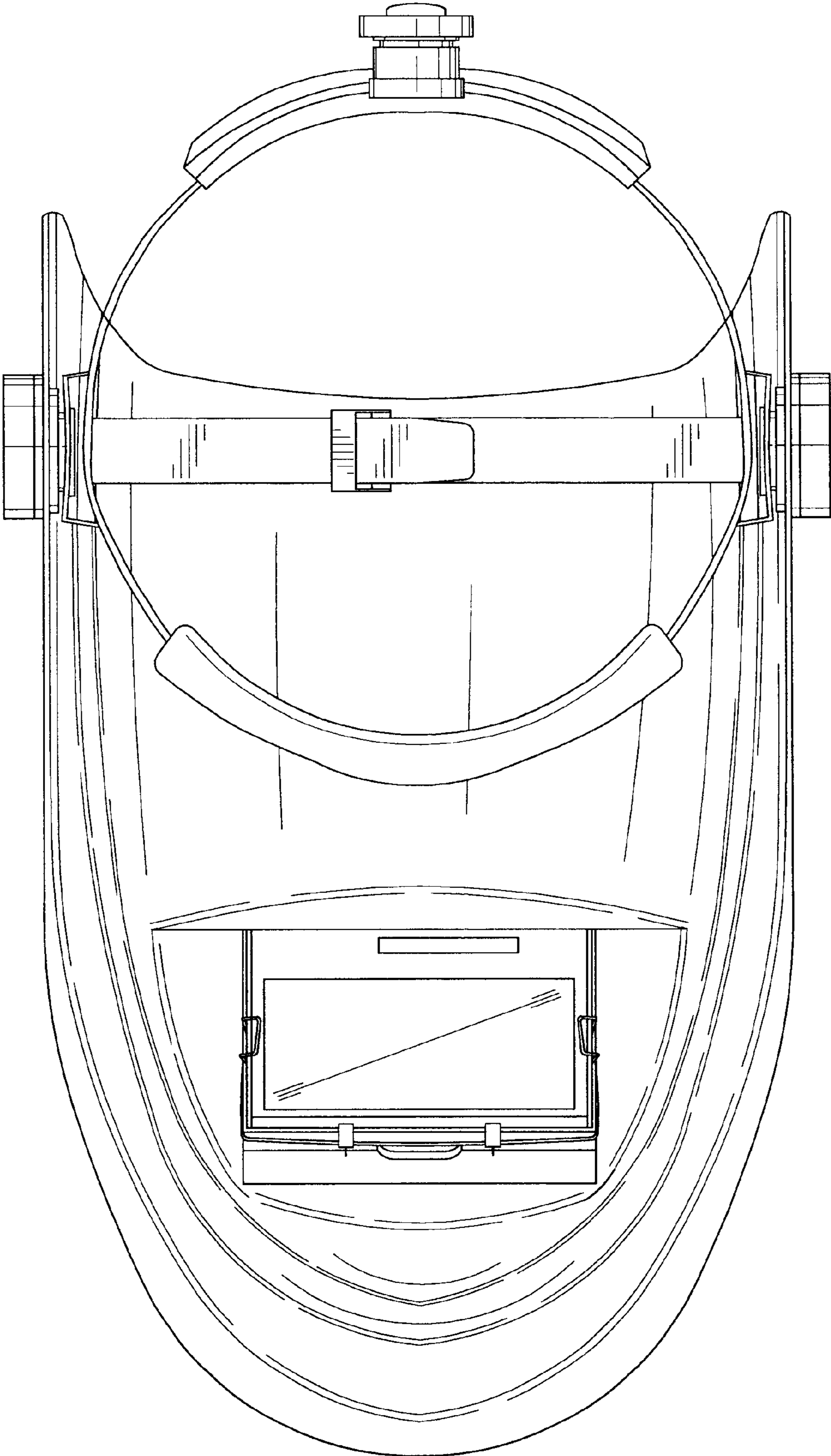


FIG. 6

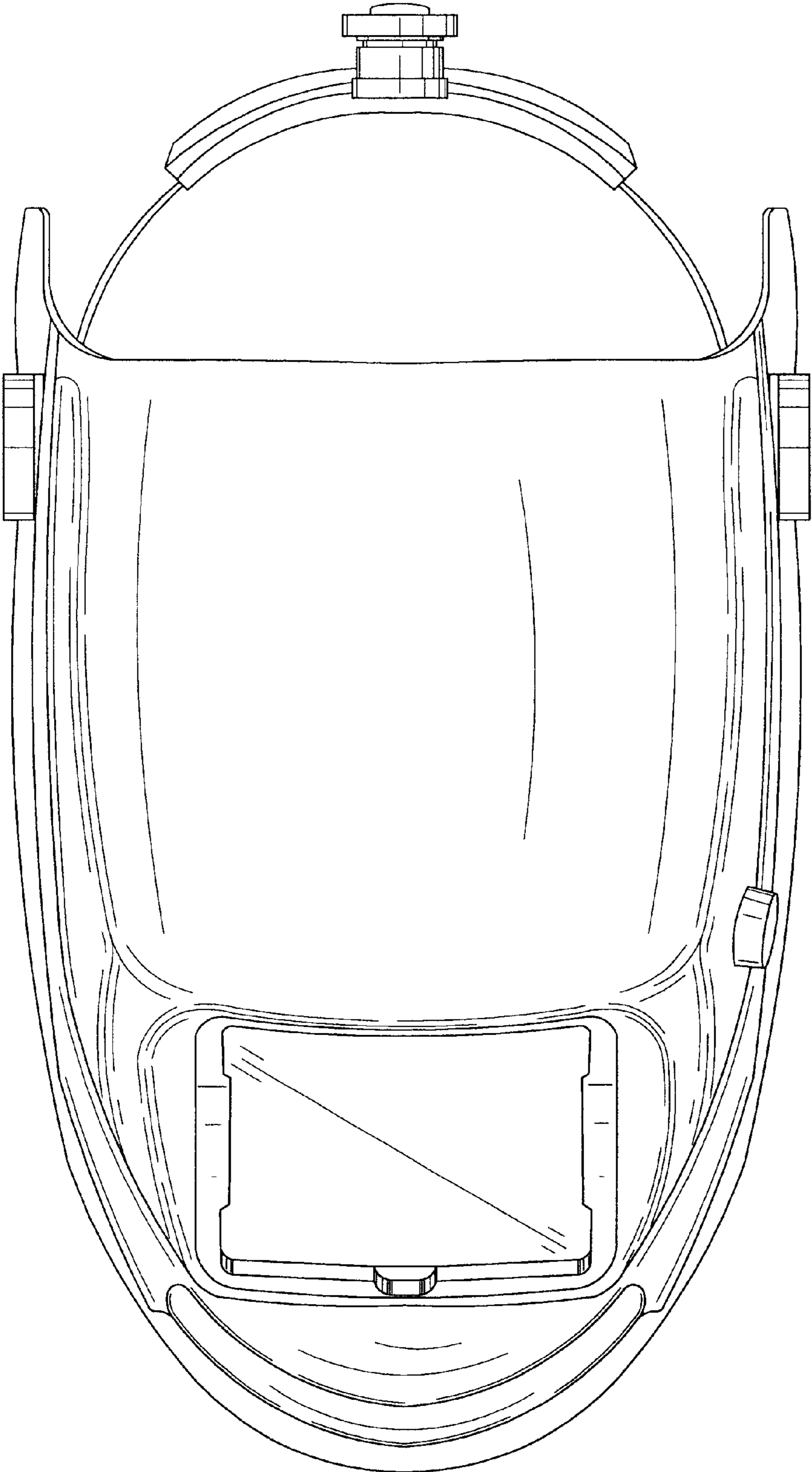


FIG. 7