

US00D521181S

(12) **United States Design Patent**  
**Bleich et al.**

(10) **Patent No.:** **US D521,181 S**

(45) **Date of Patent:** **\*\* May 16, 2006**

(54) **LIGHTER**

(76) Inventors: **Jens Bleich**, Dornier Strass 3, 82110 Germering (DE); **Jürgen Bleich**, Dornier Strasse 3, 82110 Germering (DE)

(\*\*) Term: **14 Years**

(21) Appl. No.: **29/228,040**

(22) Filed: **Apr. 20, 2005**

(51) **LOC (8) Cl.** ..... **27-05**

(52) **U.S. Cl.** ..... **D27/147; D7/416**

(58) **Field of Classification Search** ..... D27/141, D27/142, 147, 154; D7/416; 431/131, 143, 431/153, 253–256, 344–345

See application file for complete search history.

(56) **References Cited**

U.S. PATENT DOCUMENTS

D269,554 S	*	6/1983	Yanai	.....	D27/147
D311,257 S	*	10/1990	Ichikawa	.....	D27/154
D347,082 S	*	5/1994	Ichikawa	.....	D27/154
6,099,300 A	*	8/2000	Rice	.....	431/255
D440,706 S	*	4/2001	Harel	.....	D27/147

D453,890 S	*	2/2002	Chevalier	.....	D7/416
D466,645 S	*	12/2002	Harel	.....	D27/154
D497,285 S	*	10/2004	Qi	.....	D7/416
2002/0055077 A1	*	5/2002	Adams et al.	.....	431/255
2002/0100487 A1	*	8/2002	St. Charles et al.	.....	431/143

\* cited by examiner

*Primary Examiner*—Jennifer Rivard

(74) *Attorney, Agent, or Firm*—Antonelli, Terry, Stout and Kraus, LLP

(57) **CLAIM**

We claim the ornamental design for a lighter, as shown.

**DESCRIPTION**

FIG. 1 is a front view of the lighter with the lighting module retracted showing our new design;

FIG. 2 is a top view thereof;

FIG. 3 is a bottom view thereof;

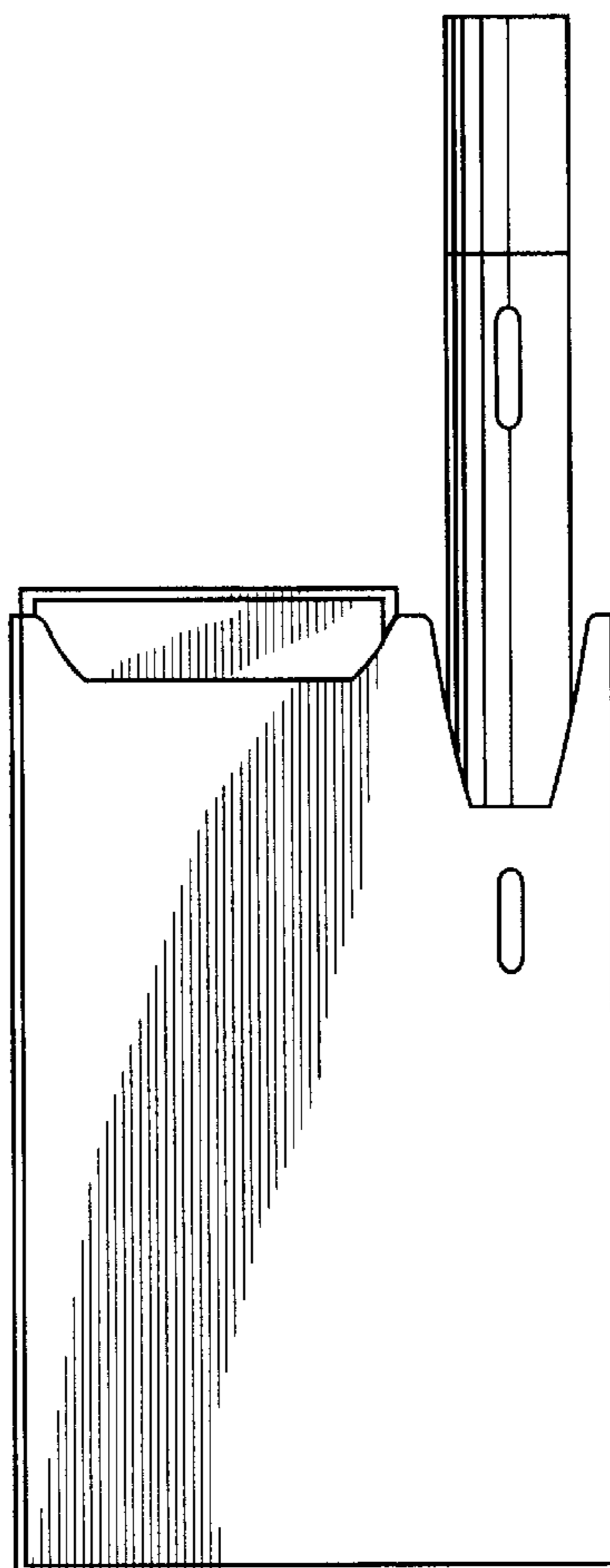
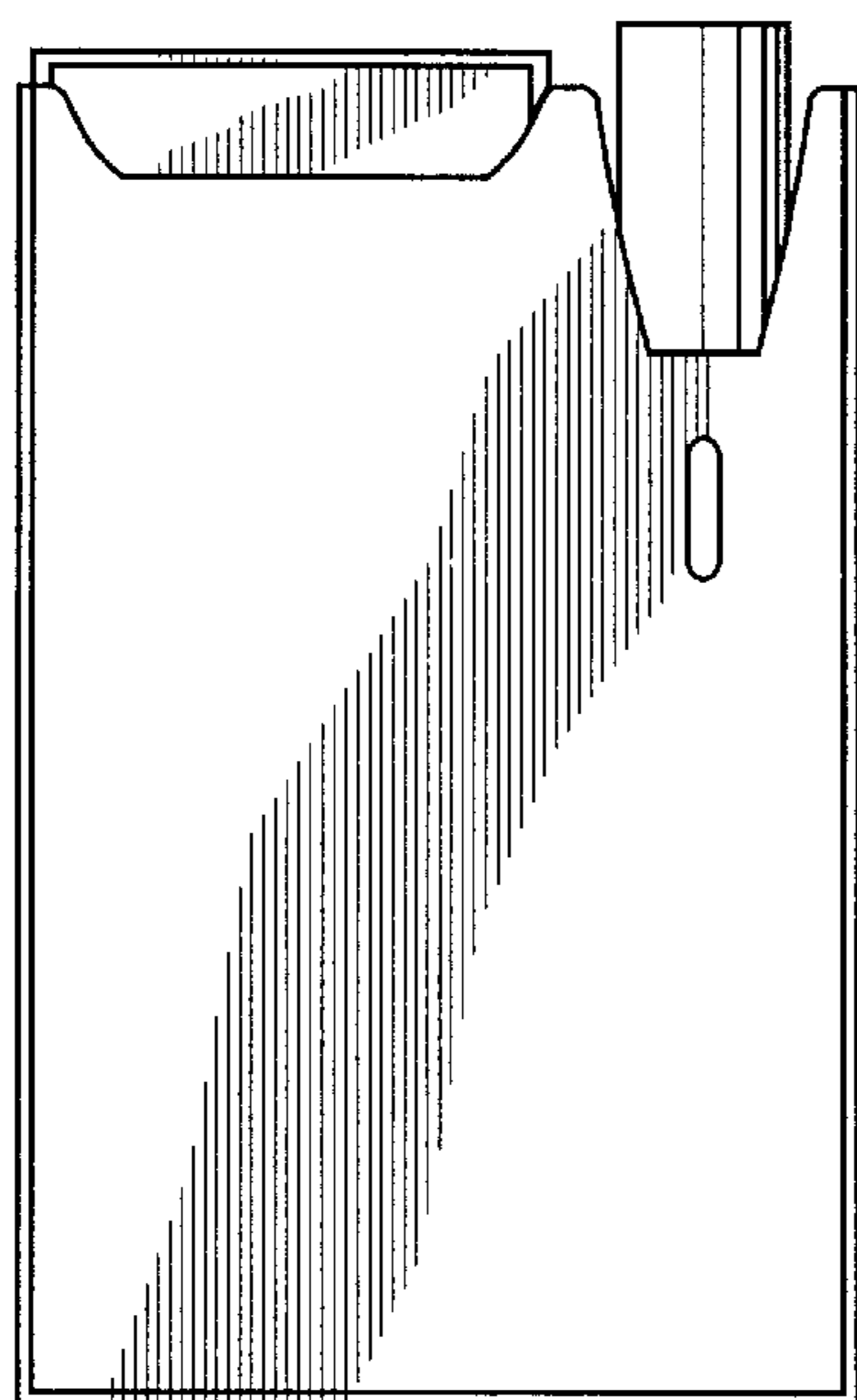
FIG. 4 is a left side view with the lighting module extended;

FIG. 5 is a right side view with the lighting module extended;

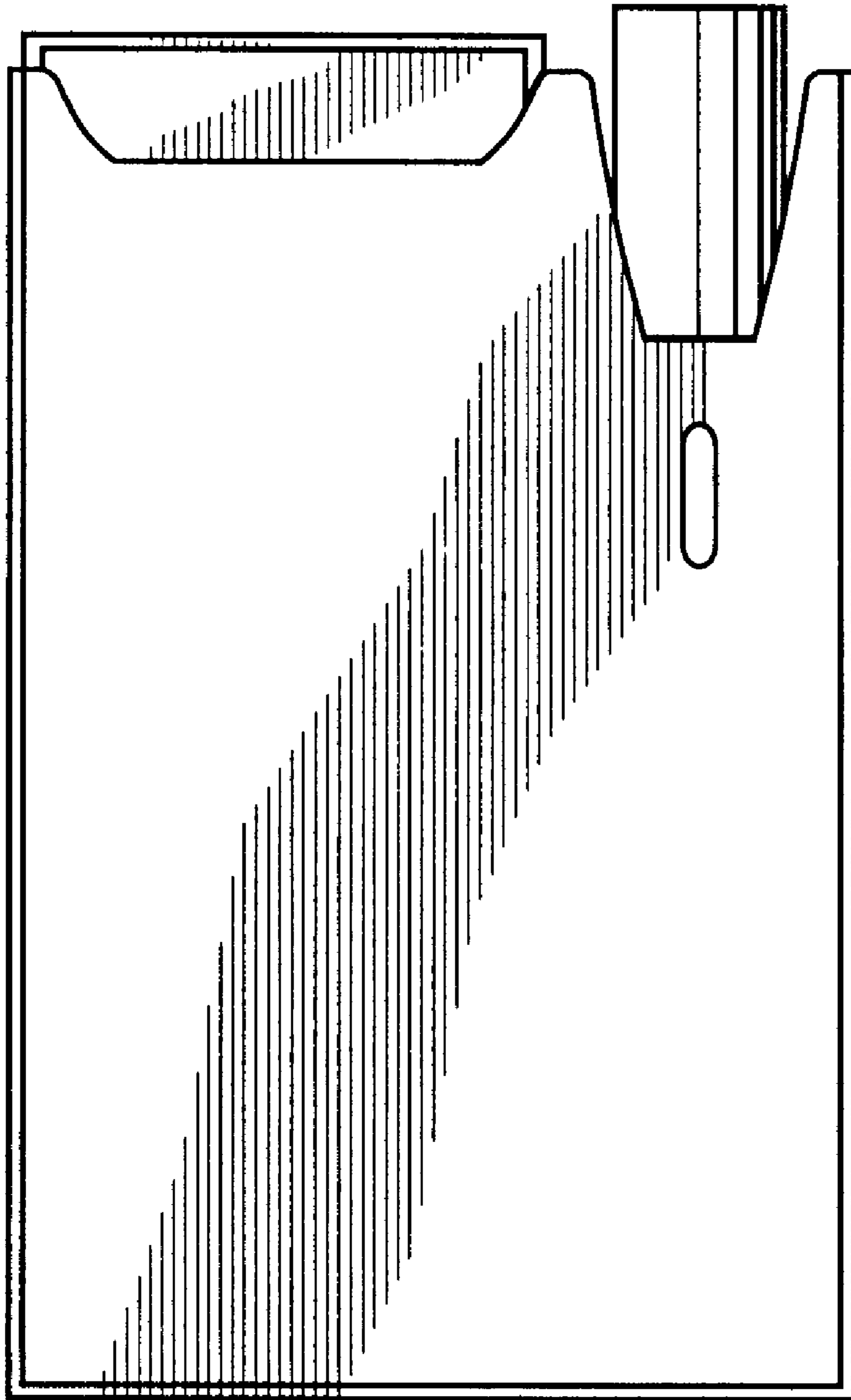
FIG. 6 is a front view with the lighting module extended; and,

FIG. 7 is a rear view with the lighting module extended.

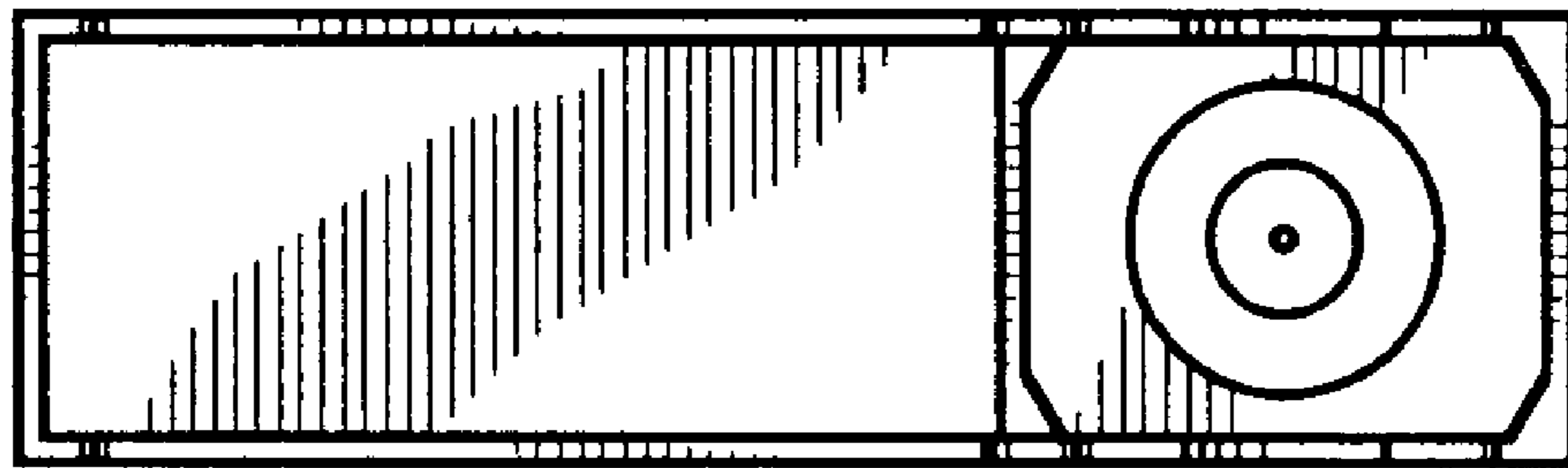
**1 Claim, 5 Drawing Sheets**



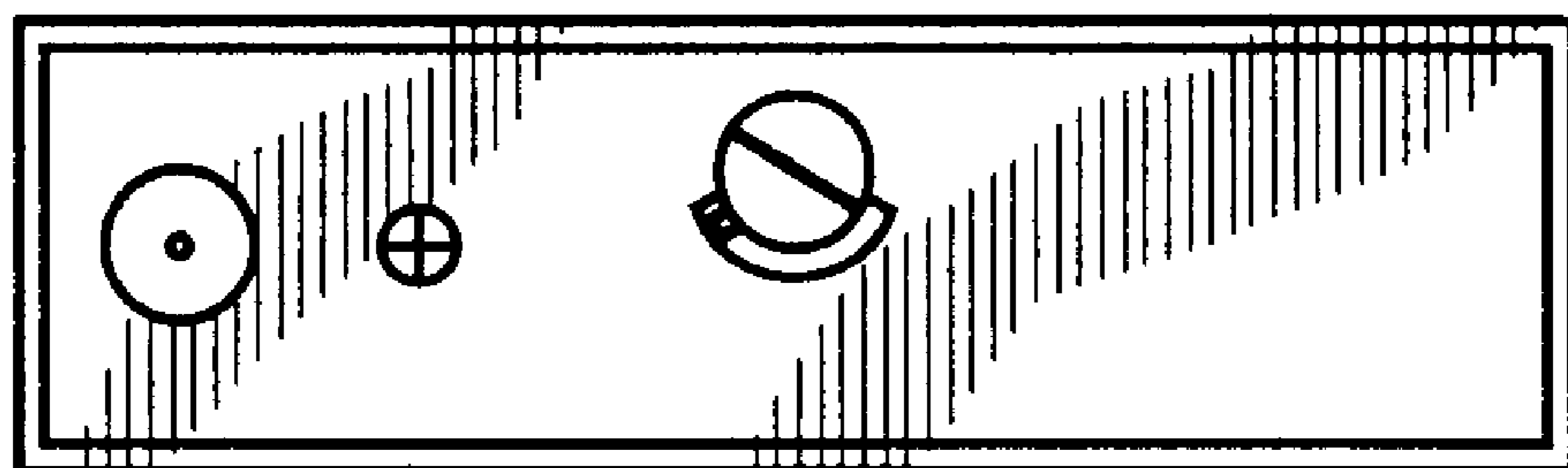
# FIG. 1



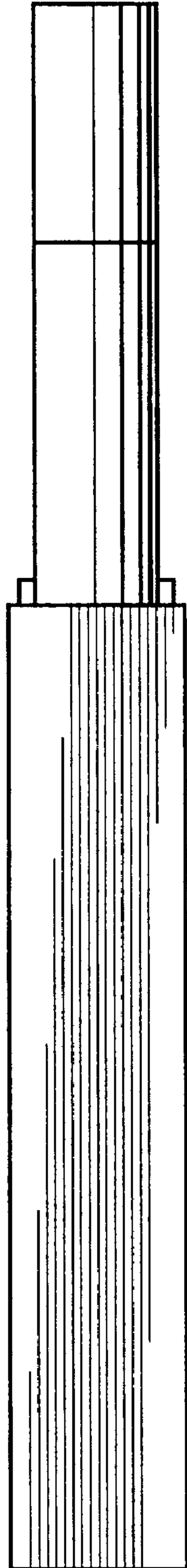
# FIG. 2



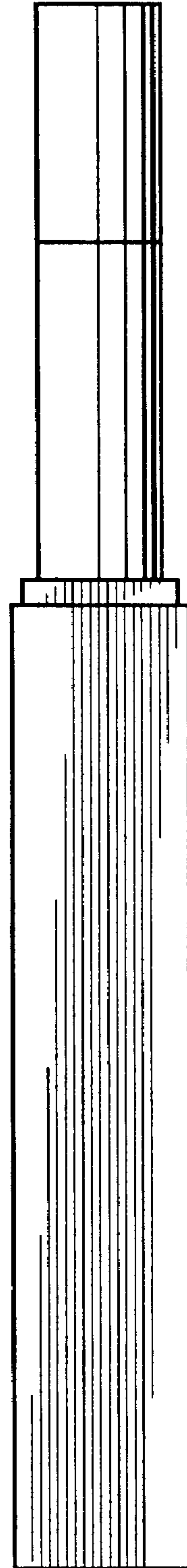
# FIG. 3



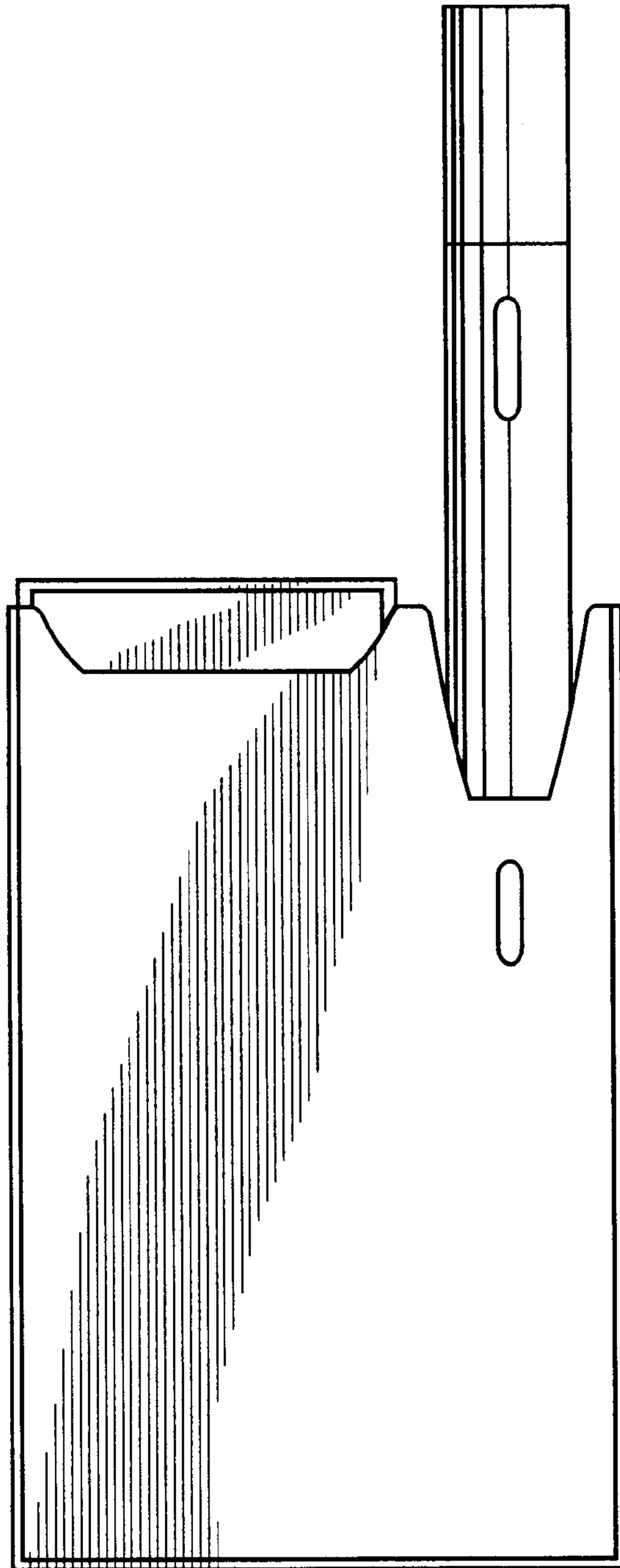
**FIG. 4**



**FIG. 5**



**FIG. 6**



**FIG. 7**

