

US00D521177S

(12) **United States Design Patent** (10) **Patent No.:** **US D521,177 S**  
**Orozco** (45) **Date of Patent:** **\*\* May 16, 2006**

(54) **LIGHT FIXTURE**

(75) Inventor: **Sergio J. Orozco**, West New York, NJ (US)

(73) Assignee: **Quoizel, Inc.**, Goose Creek, SC (US)

(\*\*) Term: **14 Years**

(21) Appl. No.: **29/160,993**

(22) Filed: **May 20, 2002**

(51) **LOC (8) Cl.** ..... **26-03**

(52) **U.S. Cl.** ..... **D26/87; D26/85; D26/72**

(58) **Field of Classification Search** ..... D26/72, D26/80-92, 141, 144, 155; 362/147, 237, 362/432, 404-406, 806, 150, 418, 430  
See application file for complete search history.

(56) **References Cited**

**U.S. PATENT DOCUMENTS**

D444,589 S \* 7/2001 Hsu ..... D26/87  
D452,341 S \* 12/2001 Jones et al. .... D26/87

**OTHER PUBLICATIONS**

Item No. 8733-94, Arlington, Minka Lavery Catalog entitled "The Great Outdoors—Two Thousand One," p. 79, 2001.

Item No. 8545-55, Minka Lavery Catalog entitled "The Great Outdoors—Two Thousand One," p. 64, 2001.  
Item No. 9769 PB, Kichler Catalog No. K102, 2002.

\* cited by examiner

*Primary Examiner*—Clare E. Heflin

(74) *Attorney, Agent, or Firm*—Nelson Mullins Riley & Scarborough

(57) **CLAIM**

The ornamental design of a light fixture, substantially as shown and described.

**DESCRIPTION**

FIG. 1 is a perspective view of a light fixture embodying the design of the present invention;

FIG. 2 is a front side elevational view of the light fixture illustrated in FIG. 1.

FIG. 3 is a left side elevational view of the light fixture illustrated in FIG. 1, with the right side elevational view being identical thereto.

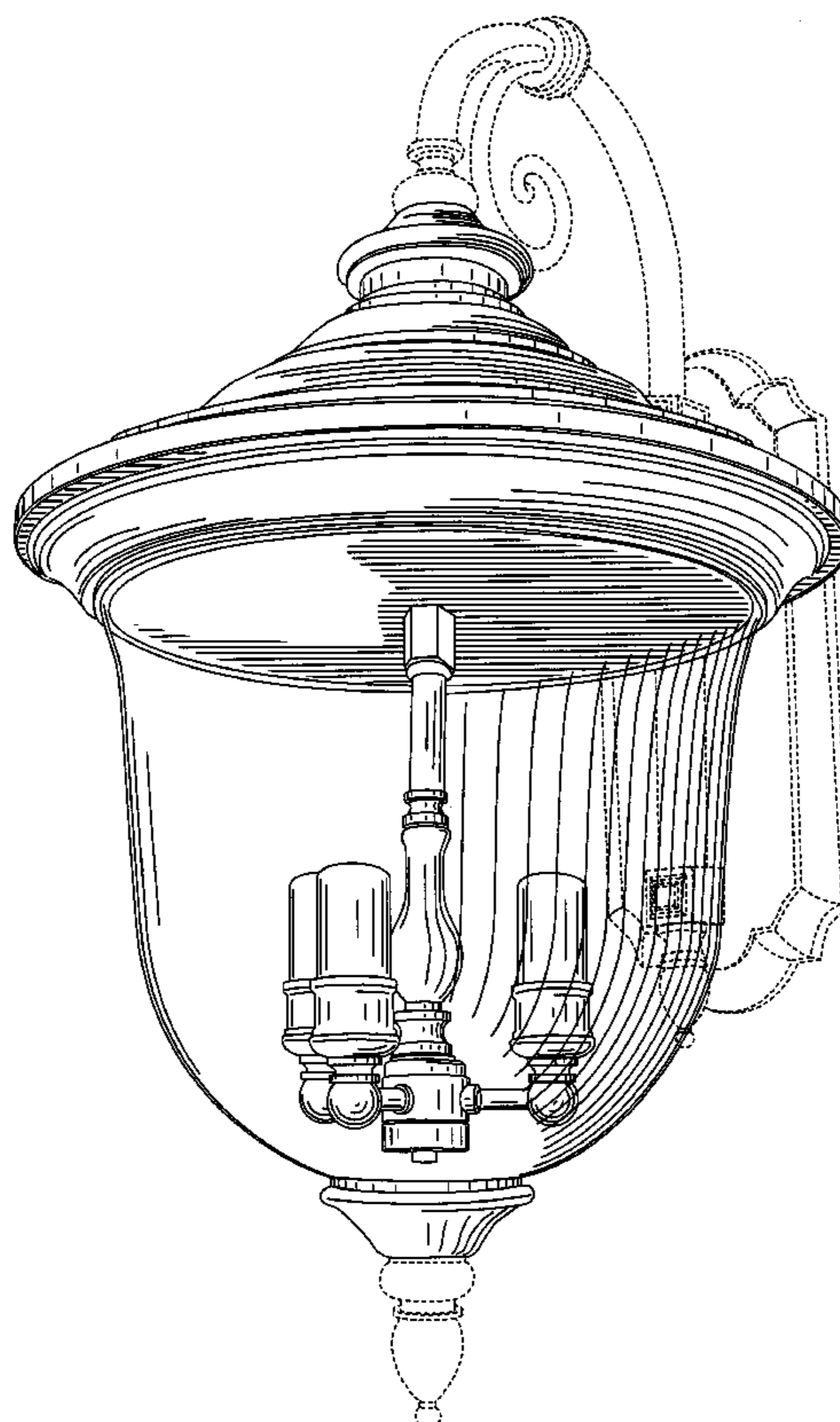
FIG. 4 is a back side elevational view of the light fixture illustrated in FIG. 1.

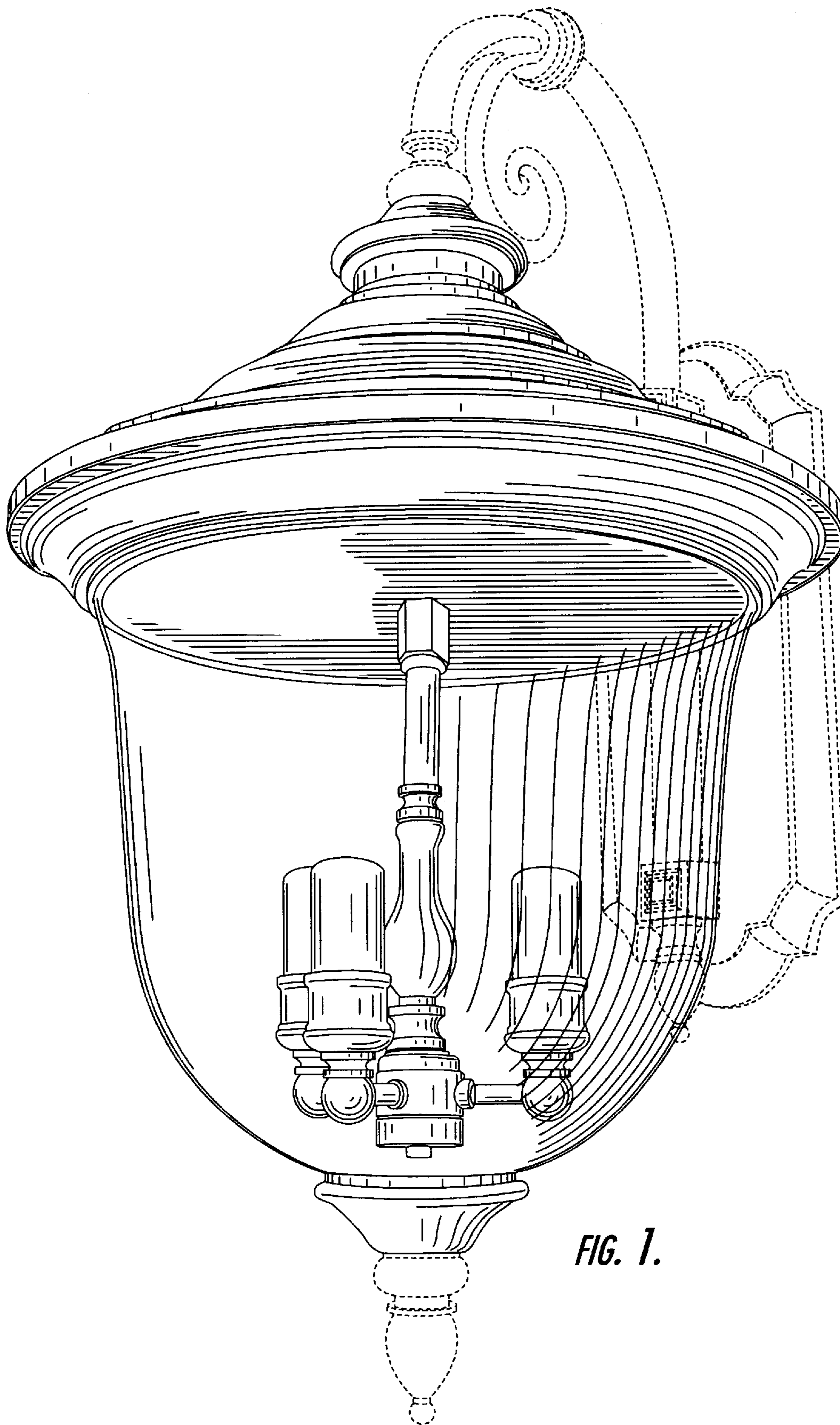
FIG. 5 is a top view of the light fixture illustrated in FIG. 1; and,

FIG. 6 is a bottom view of the light fixture illustrated in FIG. 1.

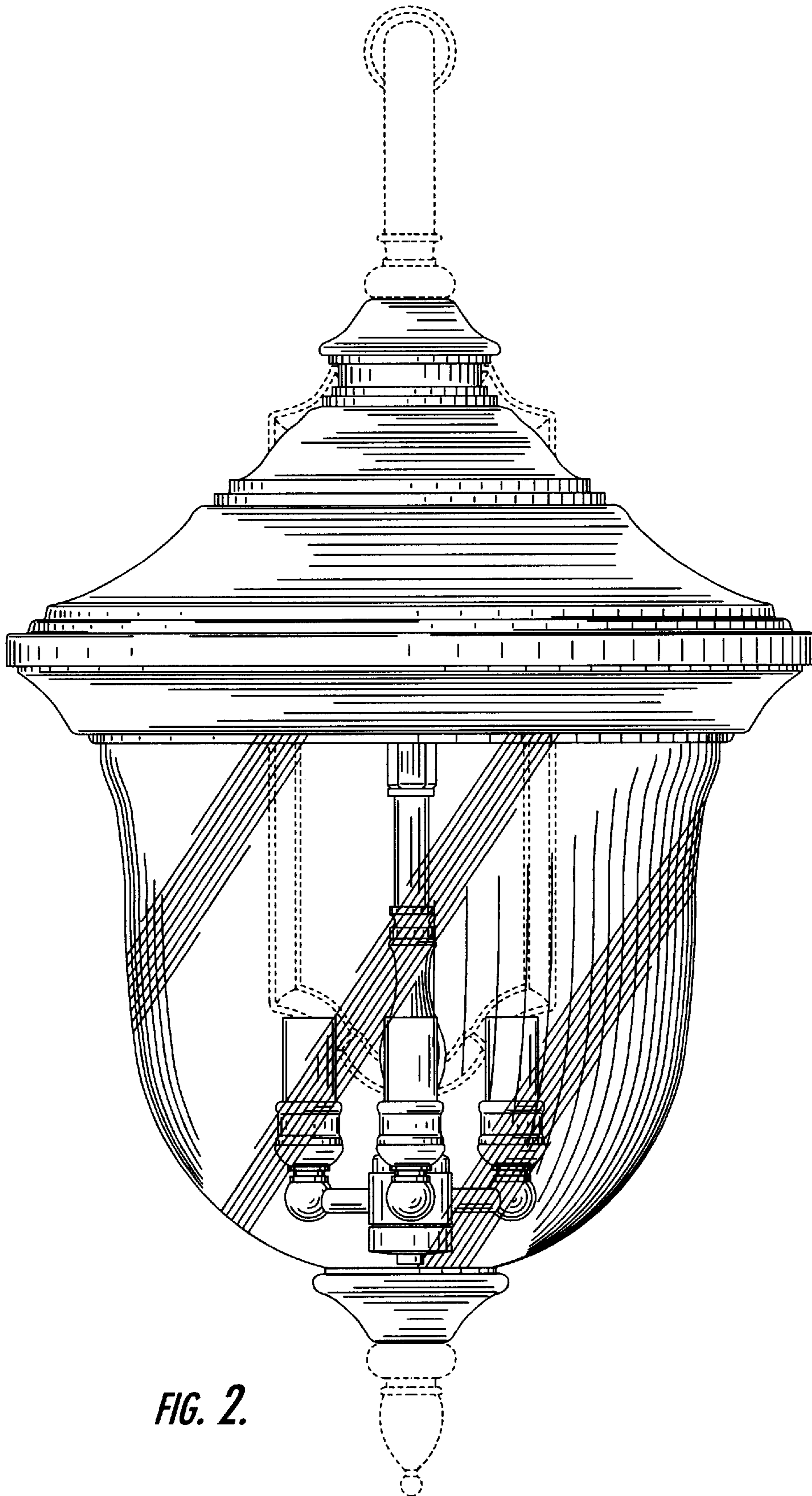
The structure shown in broken lines forms no part of the claimed design.

**1 Claim, 6 Drawing Sheets**



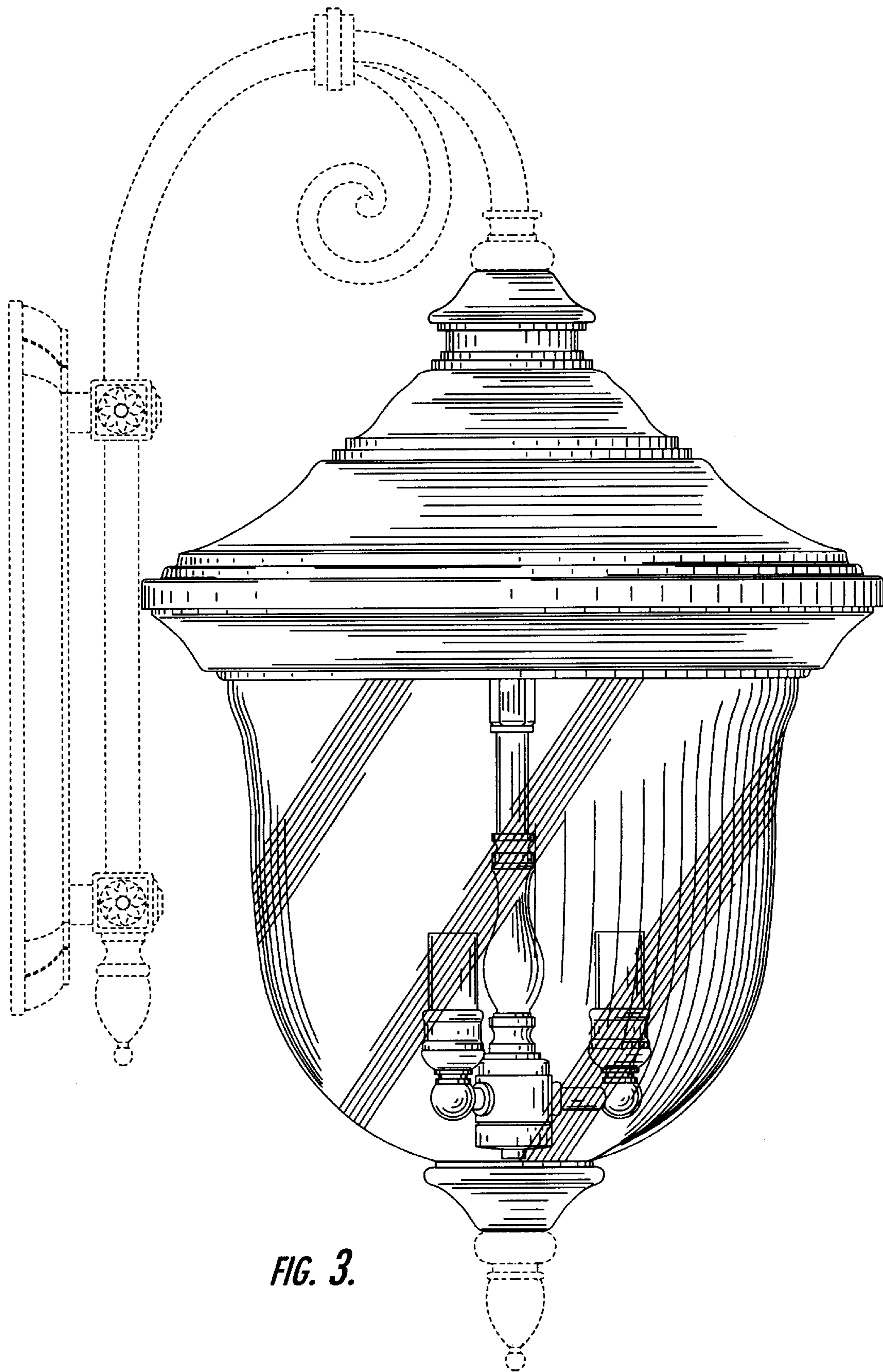


*FIG. 1.*

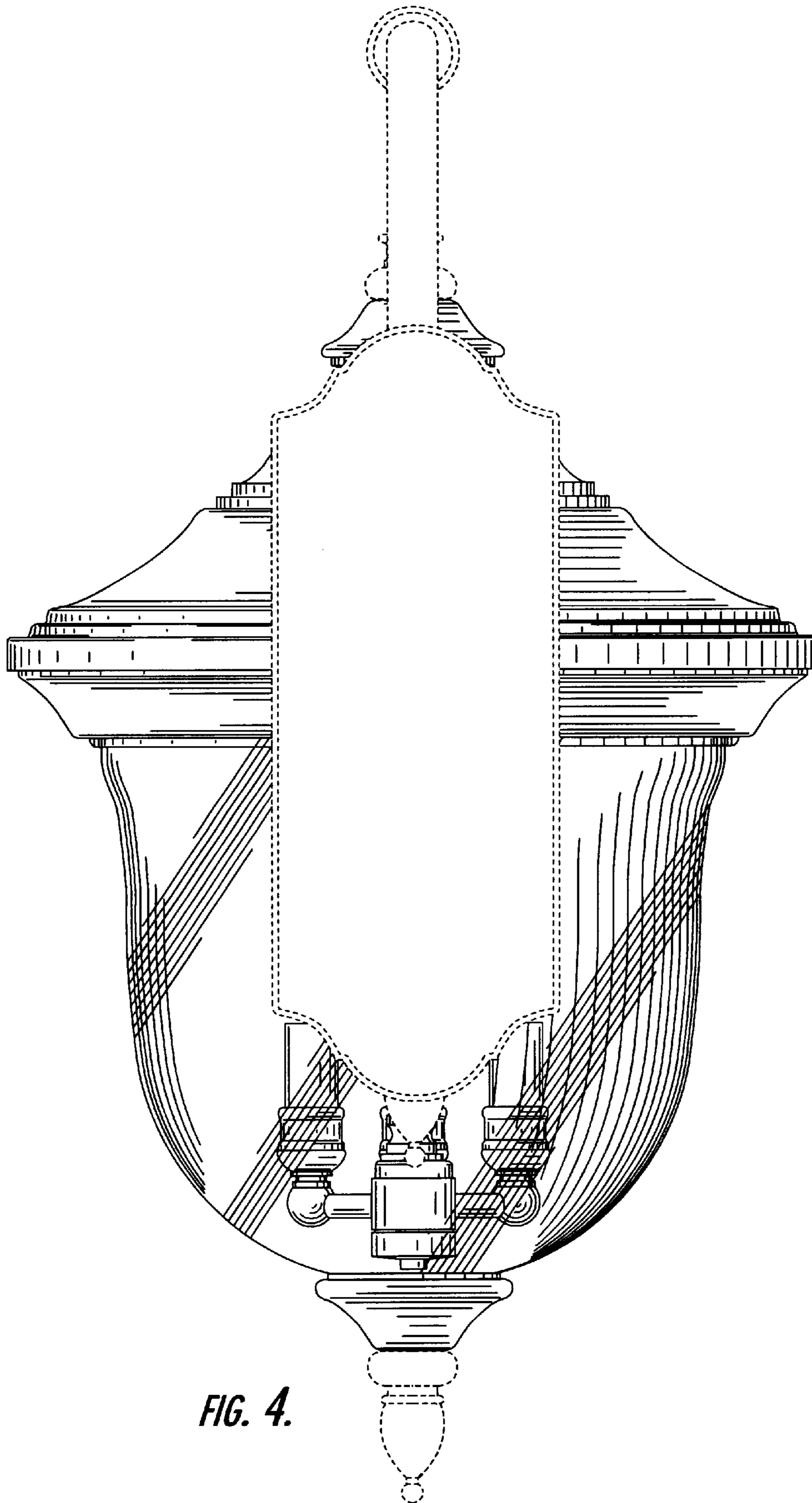


**FIG. 2.**

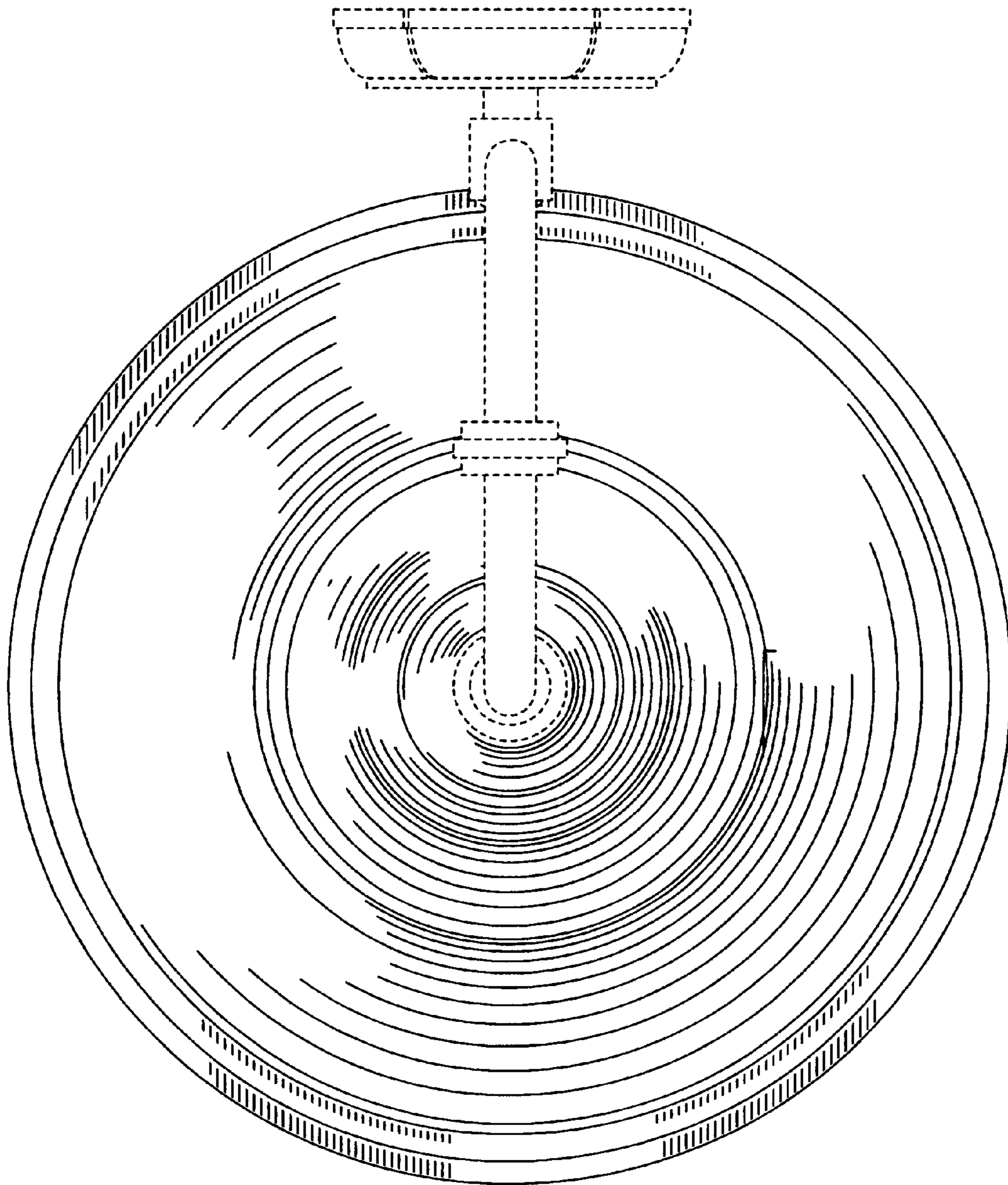




**FIG. 3.**

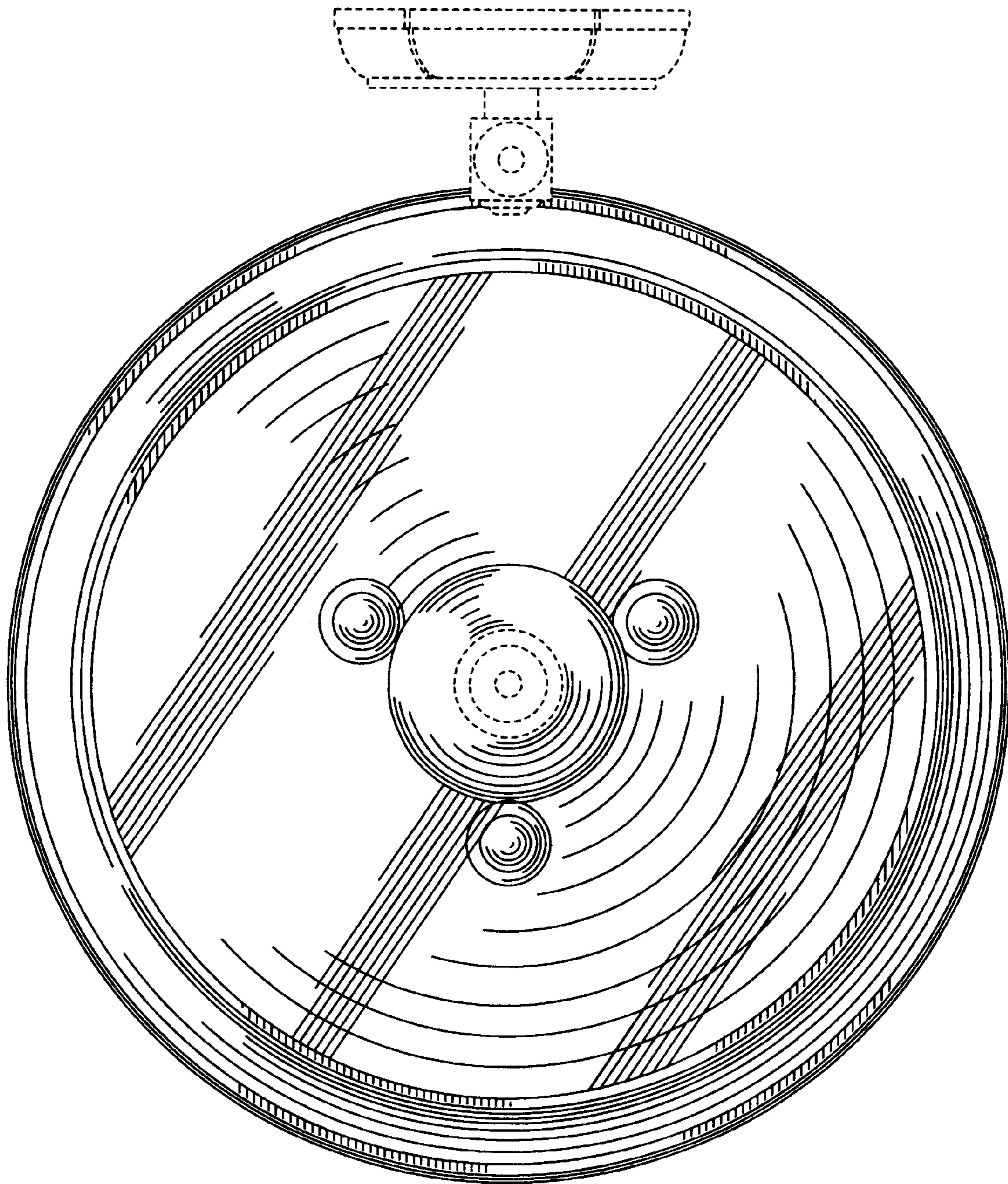


**FIG. 4.**



*FIG. 5.*





**FIG. 6.**