

US00D521172S

(12) **United States Design Patent**
Chen

(10) **Patent No.:** **US D521,172 S**

(45) **Date of Patent:** **** May 16, 2006**

(54) **LIGHTING APPARATUS**

(76) **Inventor:** **Frank Chen**, No. 15-1, Fen Liao Road,
Tung Lin Tsun, Linkou Hsiang, Taipei
Hsien (TW)

(**) **Term:** **14 Years**

(21) **Appl. No.:** **29/203,356**

(22) **Filed:** **Apr. 14, 2004**

(51) **LOC (8) Cl.** **26-03**

(52) **U.S. Cl.** **D26/76**

(58) **Field of Classification Search** D26/72,
D26/75-78, 118, 122, 24; 362/605, 147,
362/151, 217-225

See application file for complete search history.

(56) **References Cited**

U.S. PATENT DOCUMENTS

D157,547 S * 2/1950 Versen D26/77
2,606,998 A * 8/1952 Wyman et al. 362/220
2,715,449 A * 8/1955 Smith et al. 362/217

D300,953 S * 5/1989 Hughes et al. D26/78
6,305,816 B1 * 10/2001 Corcorran et al. 362/147
D492,809 S * 7/2004 Weitgasser D26/76
D503,821 S * 4/2005 Waldmann D26/78

* cited by examiner

Primary Examiner—Clare E Heflin

(74) *Attorney, Agent, or Firm*—Rosenberg, Klein & Lee

(57) **CLAIM**

The ornamental design for a “lighting apparatus,” as shown and described.

DESCRIPTION

FIG. 1 is a perspective view of a “lighting apparatus” showing my new design;

FIG. 2 is a front view thereof;

FIG. 3 is a rear view thereof;

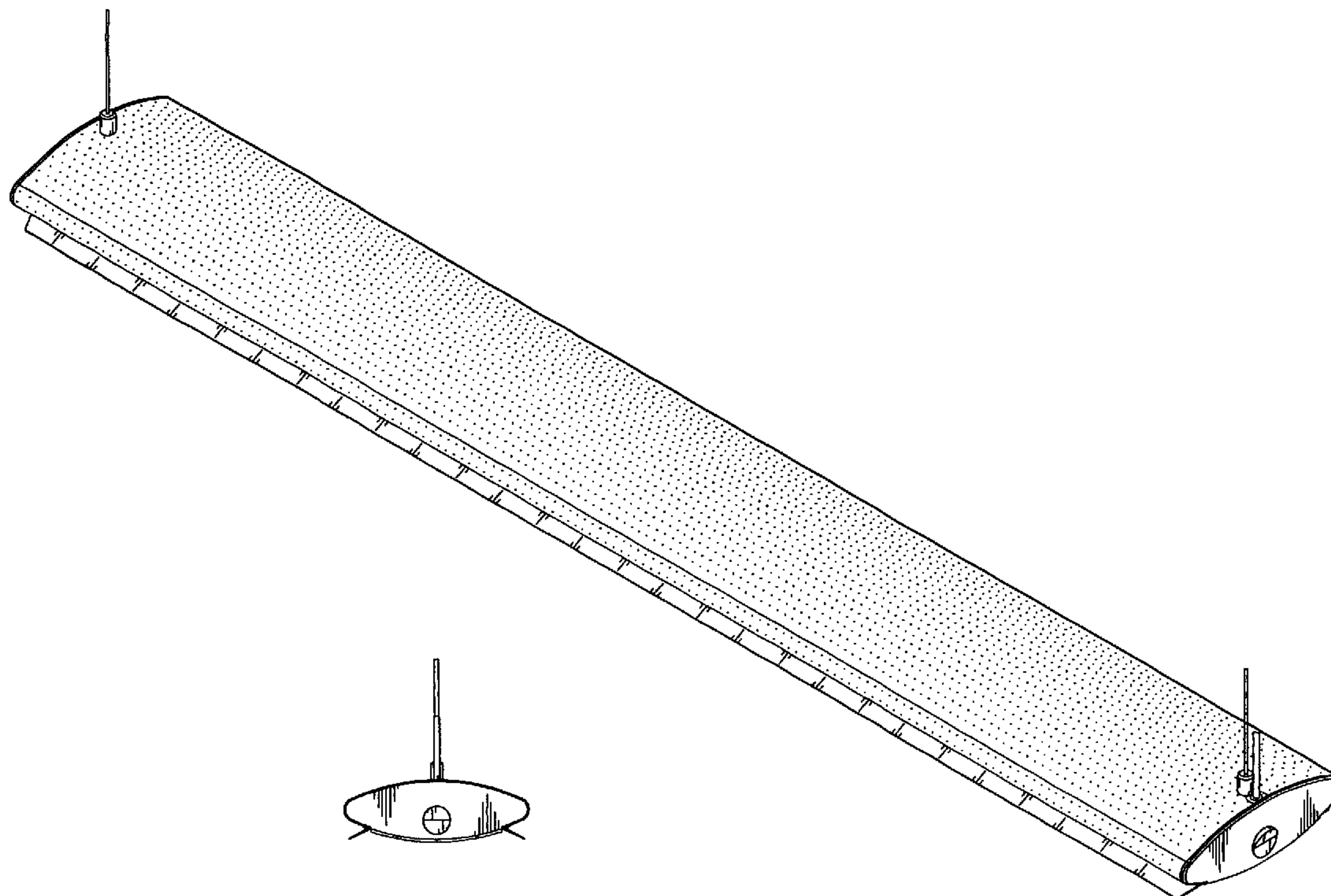
FIG. 4 is a left side view thereof;

FIG. 5 is a right side view thereof;

FIG. 6 is a top view thereof; and,

FIG. 7 is a bottom view thereof.

1 Claim, 4 Drawing Sheets



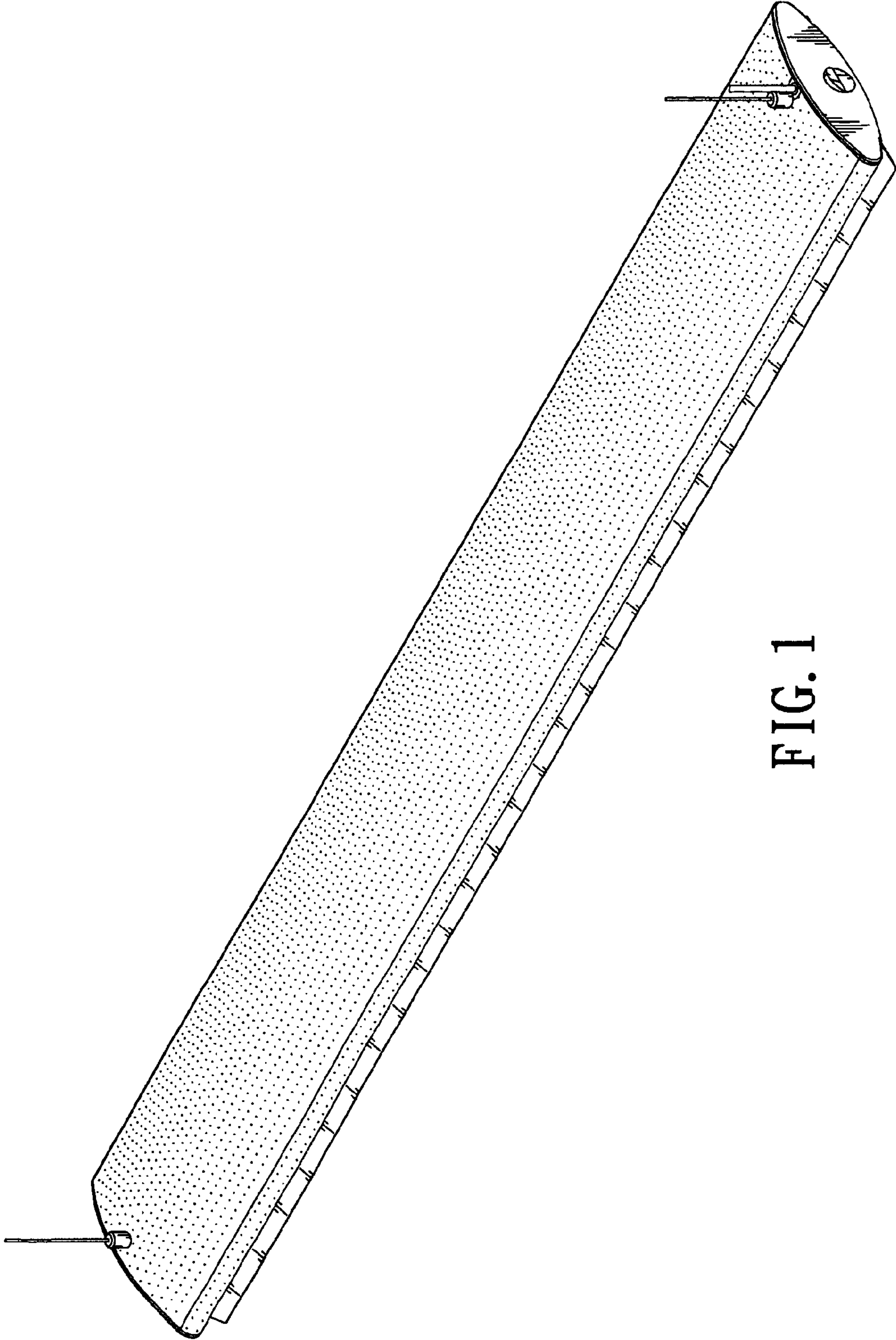


FIG. 1



FIG. 2



FIG. 3

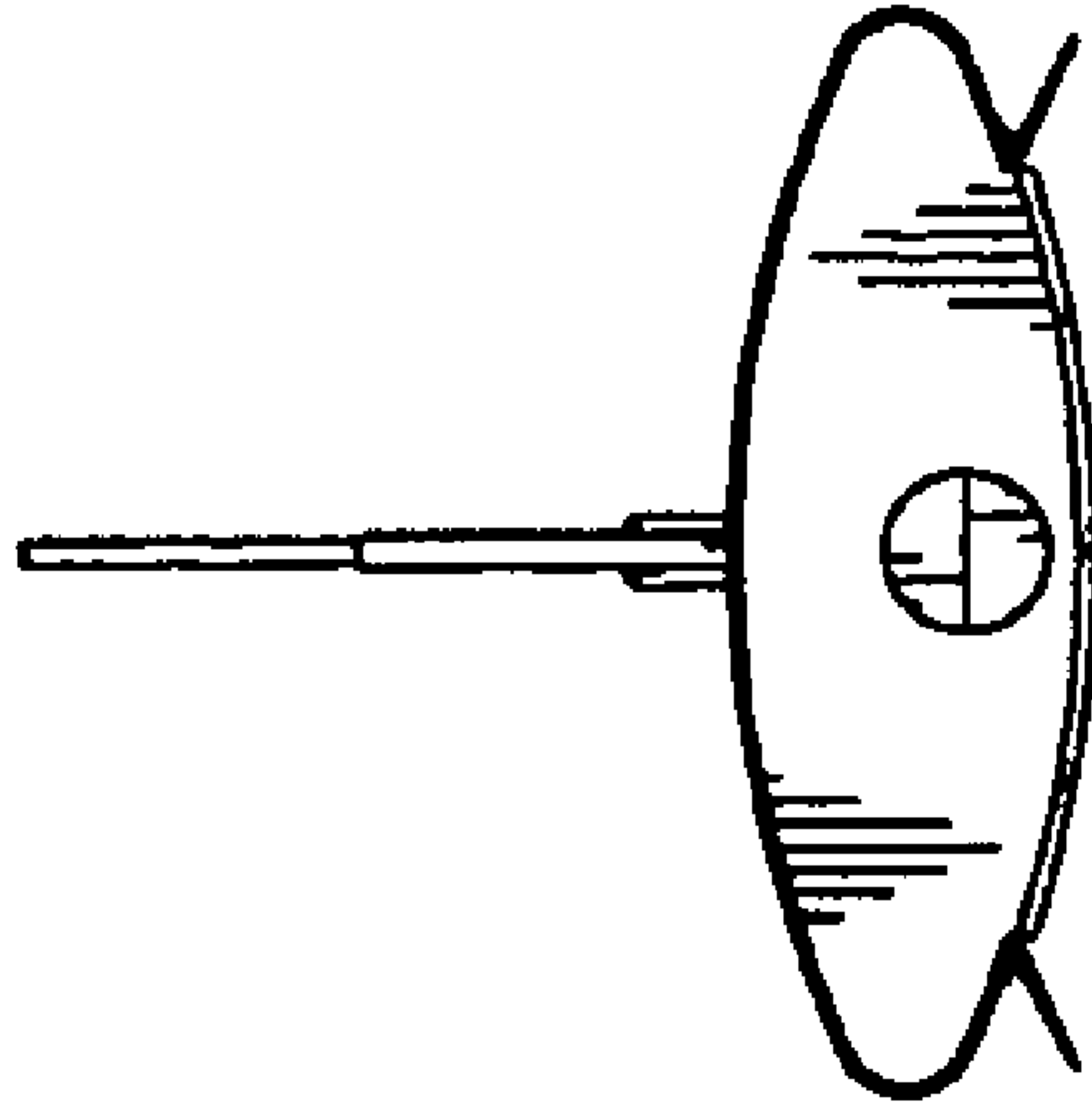


FIG. 4

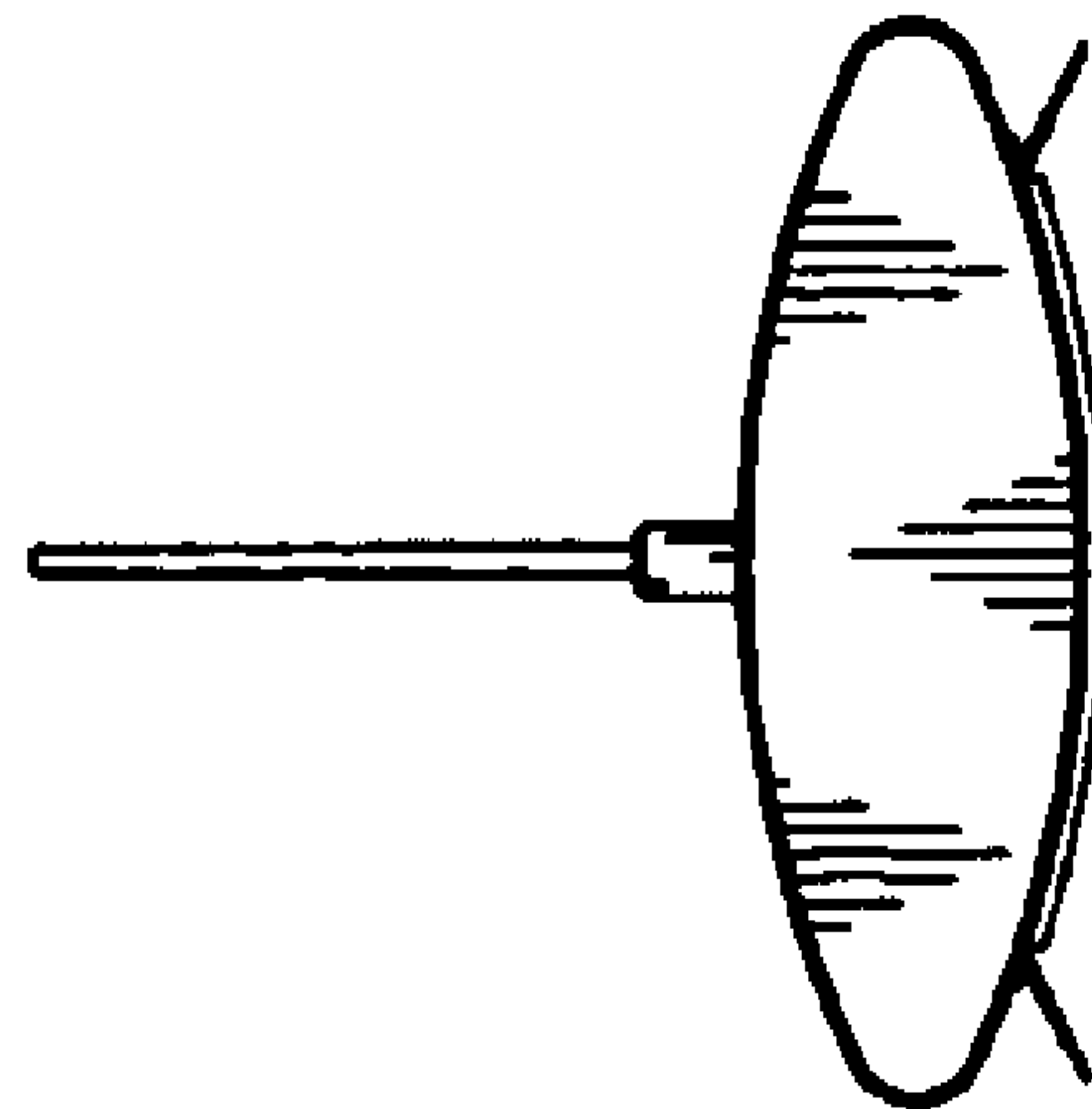


FIG. 5

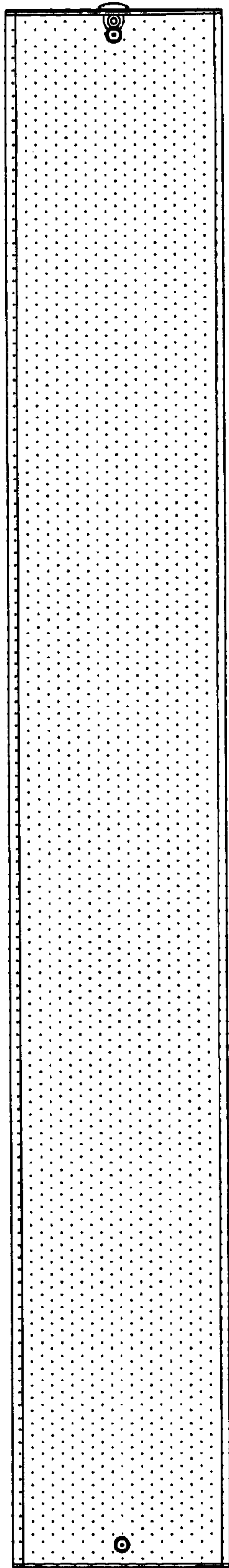


FIG. 6

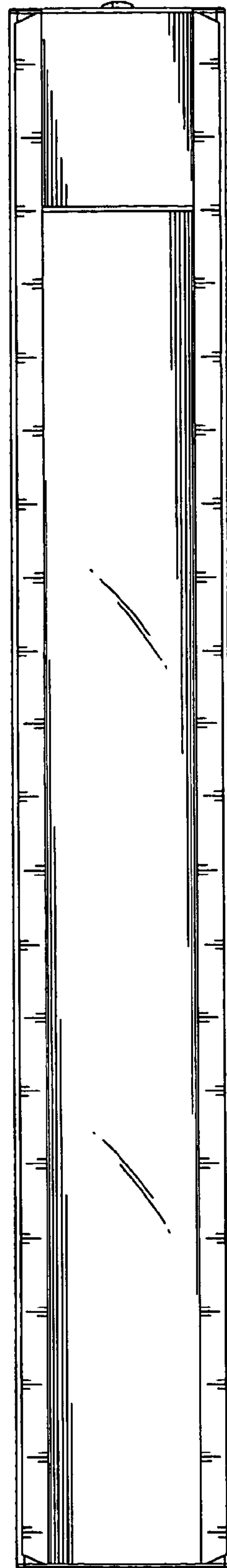


FIG. 7