

US00D521171S

(12) **United States Design Patent**
Skegin

(10) **Patent No.:** **US D521,171 S**
(45) **Date of Patent:** **** May 16, 2006**

(54) **COUNTER LIGHT FIXTURE**

(75) Inventor: **Maer Skegin**, W. Hollywood, CA (US)

(73) Assignee: **Troy-CSL Lighting, Inc.**, City of Industry, CA (US)

(**) Term: **14 Years**

(21) Appl. No.: **29/196,853**

(22) Filed: **Jan. 5, 2004**

(51) **LOC (8) Cl.** **26-03**

(52) **U.S. Cl.** **D26/76; D26/72**

(58) **Field of Classification Search** D26/72,
D26/75-78, 118, 122, 24; 362/605, 147,
362/151, 217-225

See application file for complete search history.

(56) **References Cited**

U.S. PATENT DOCUMENTS

D135,253 S	*	3/1943	Hrabak	D26/76
D135,255 S	*	3/1943	Hrabak	D26/76
D337,844 S	*	7/1993	Poirier	D26/76
D464,757 S	*	10/2002	Echito	D26/75

* cited by examiner

Primary Examiner—Clare E Heflin

(74) *Attorney, Agent, or Firm*—Law Offices of Natan Epstein

(57) **CLAIM**

The ornamental design for a counter light fixture, as shown and described.

DESCRIPTION

FIG. 1 is a front bottom right side perspective view of a first embodiment of the counter light fixture according to this invention;

FIG. 2 is a front view thereof;

FIG. 3 is a bottom plan view thereof;

FIG. 4 is a right end view thereof;

FIG. 5 is a left end view thereof;

FIG. 6 is a rear view thereof;

FIG. 7 is a top plan view thereof;

FIG. 8 is a view taken as in FIG. 1 of a second embodiment of my counter light fixture, the right and left end views thereof being identical to those of FIGS. 4 and 5 respectively;

FIG. 9 is a rear view thereof;

FIG. 10 is a top plan view thereof;

FIG. 11 is a view taken as in FIG. 1 of a third embodiment of my counter light fixture, the right and left end views thereof being identical to those of FIGS. 4 and 5 respectively;

FIG. 12 is a rear view thereof;

FIG. 13 is a top view thereof;

FIG. 14 is a view taken as in FIG. 1 of a fourth embodiment of my counter light fixture, the right and left end views thereof being identical to those of FIGS. 4 and 5 respectively;

FIG. 15 is a rear view thereof;

FIG. 16 is a top view thereof;

FIG. 17 is a view taken as in FIG. 1 of a fifth embodiment of my counter light fixture, the right and left end views thereof being identical to those of FIGS. 4 and 5 respectively;

FIG. 18 is a rear view thereof;

FIG. 19 is a top view thereof;

FIG. 20 is a view taken as in FIG. 1 of a sixth embodiment of my counter light fixture, the right and left end views thereof being identical to those of FIGS. 4 and 5 respectively;

FIG. 21 is a rear view thereof;

FIG. 22 is a top view thereof;

FIG. 23 is a view taken as in FIG. 1 of a seventh embodiment of my counter light fixture, the right and left end views thereof being identical to those of FIGS. 4 and 5 respectively;

FIG. 24 is a rear view thereof;

FIG. 25 is a top view thereof;

FIG. 26 is a view taken as in FIG. 1 of an eighth embodiment of my counter light fixture, the right and left end views thereof being identical to those of FIGS. 4 and 5 respectively;

FIG. 27 is a rear view thereof;

FIG. 28 is a top view thereof;

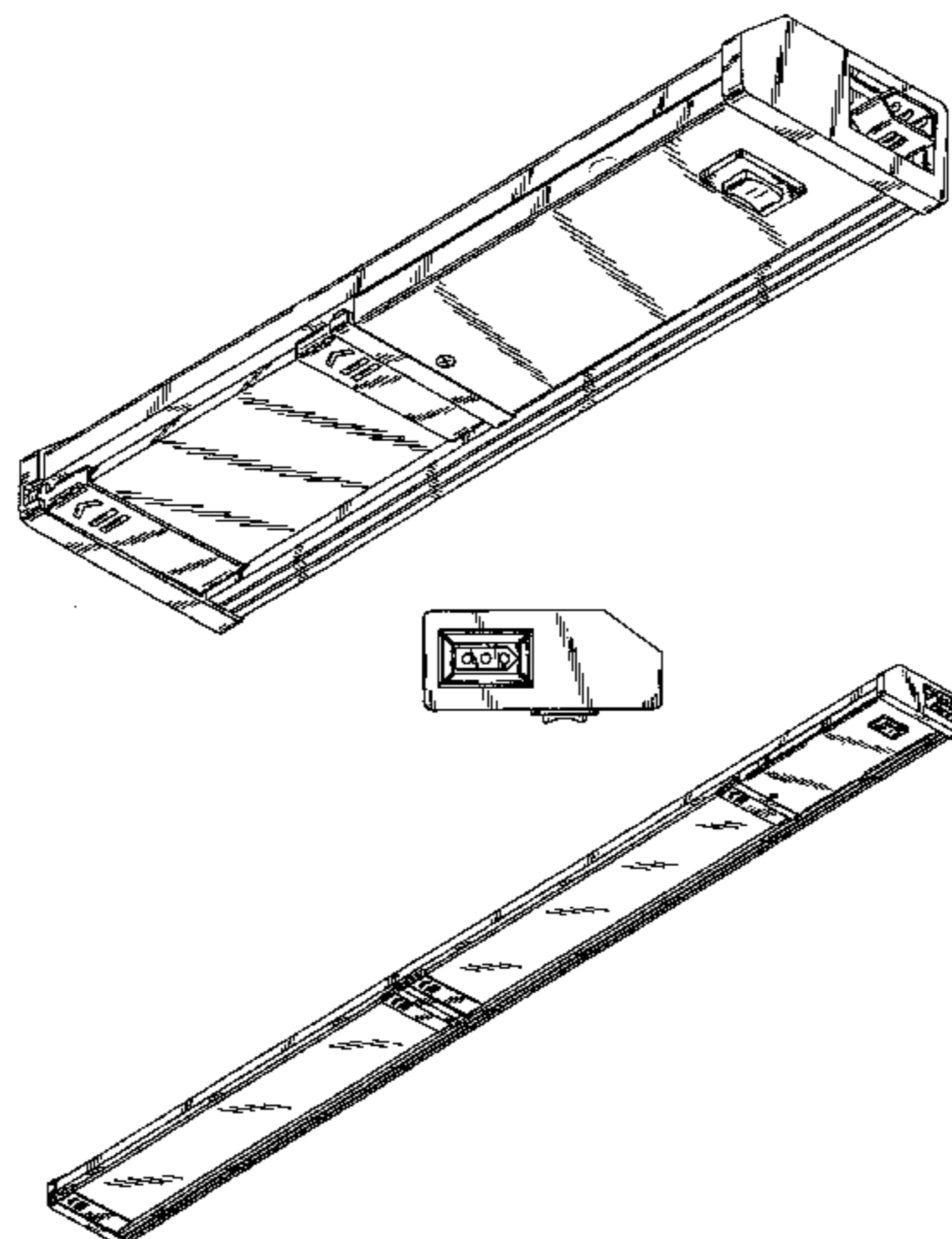


FIG. **29** is a view taken as in FIG. **1** of a ninth embodiment of my counter light fixture, the right and left end views thereof being identical to those of FIGS. **4** and **5** respectively;

FIG. **30** is a rear view thereof; and,
FIG. **31** is a top view thereof.

1 Claim, 19 Drawing Sheets

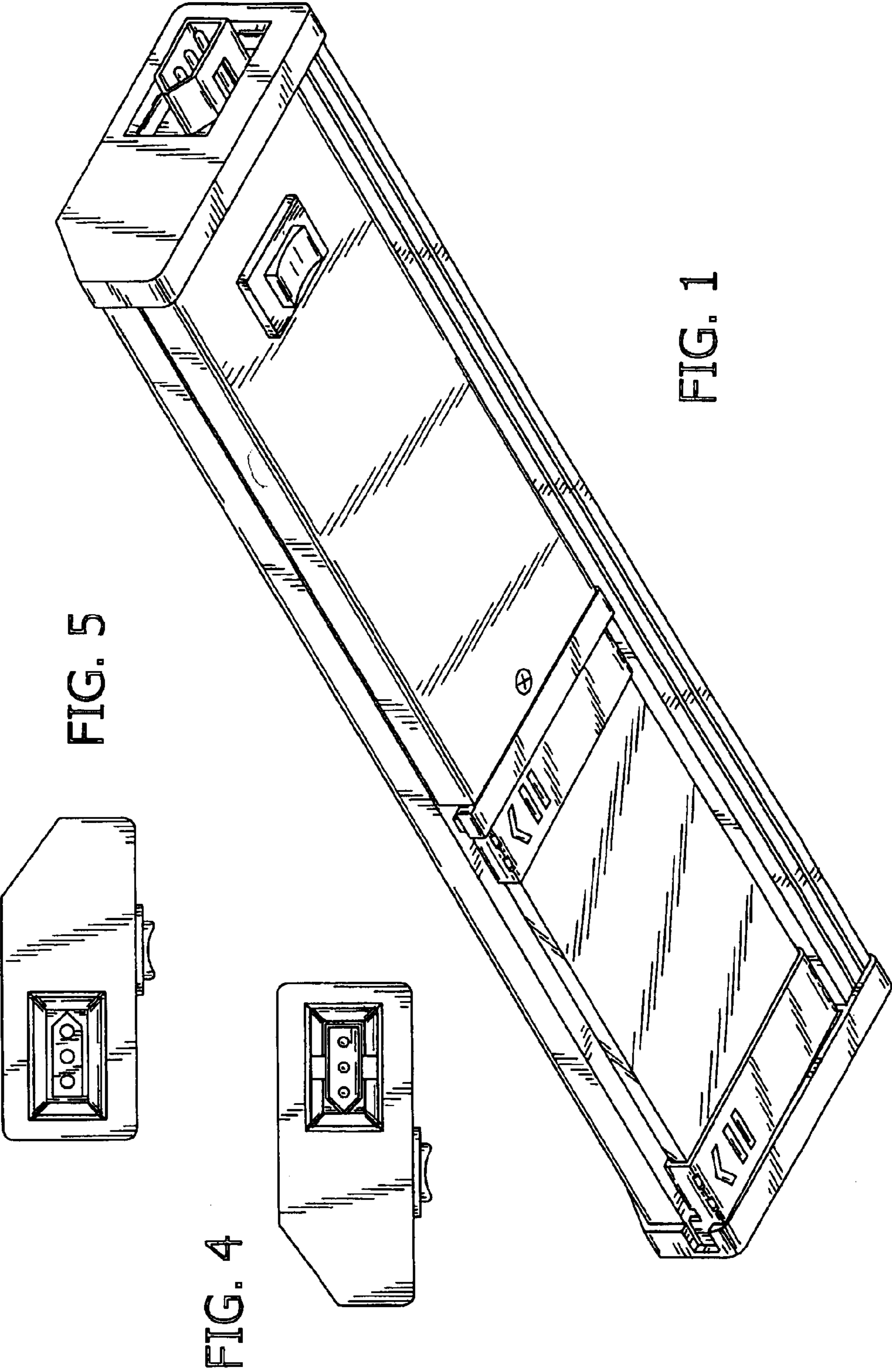


FIG. 5

FIG. 4

FIG. 1

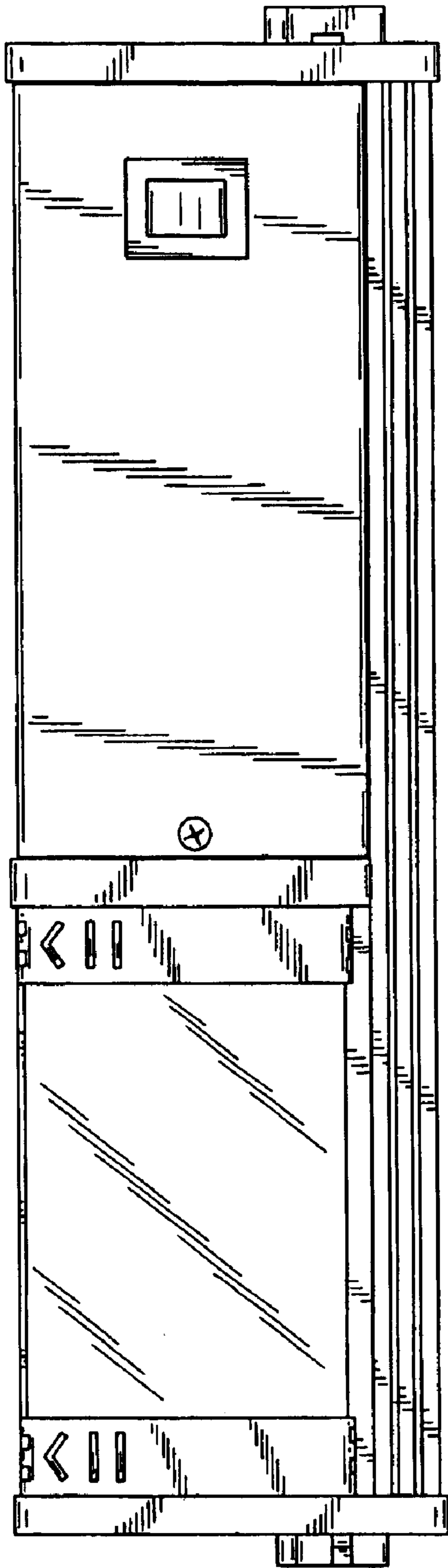


FIG. 3

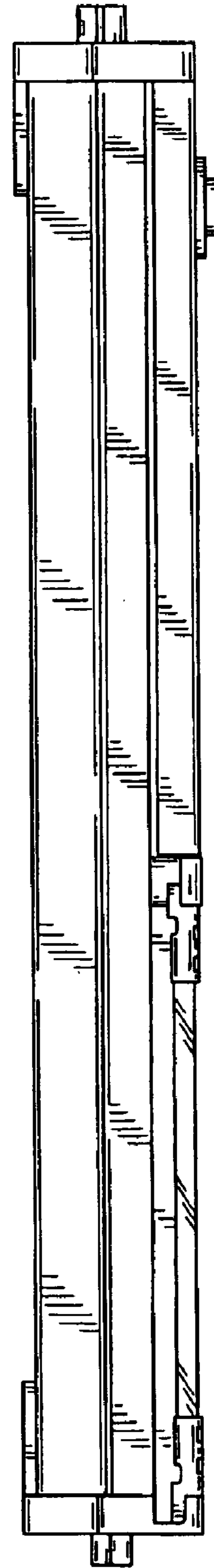


FIG. 2

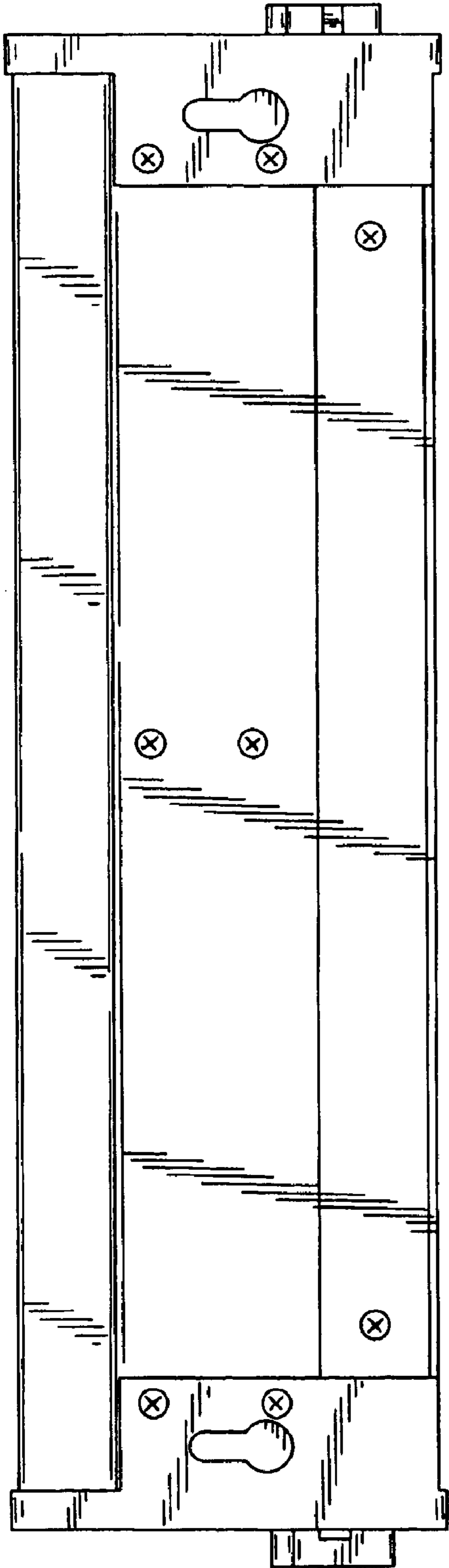


FIG. 7

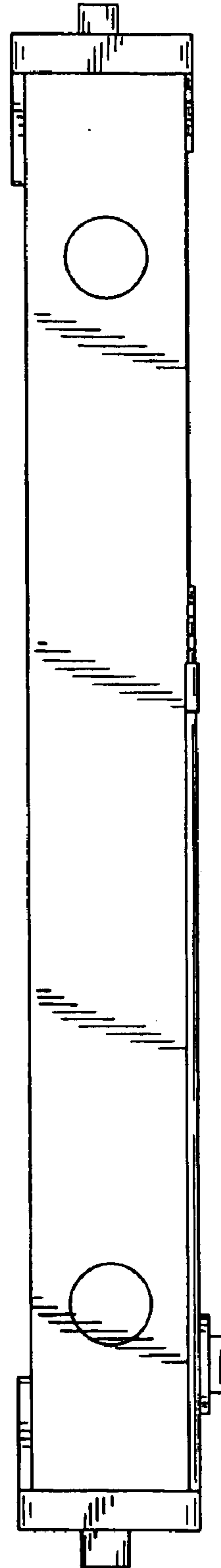


FIG. 6

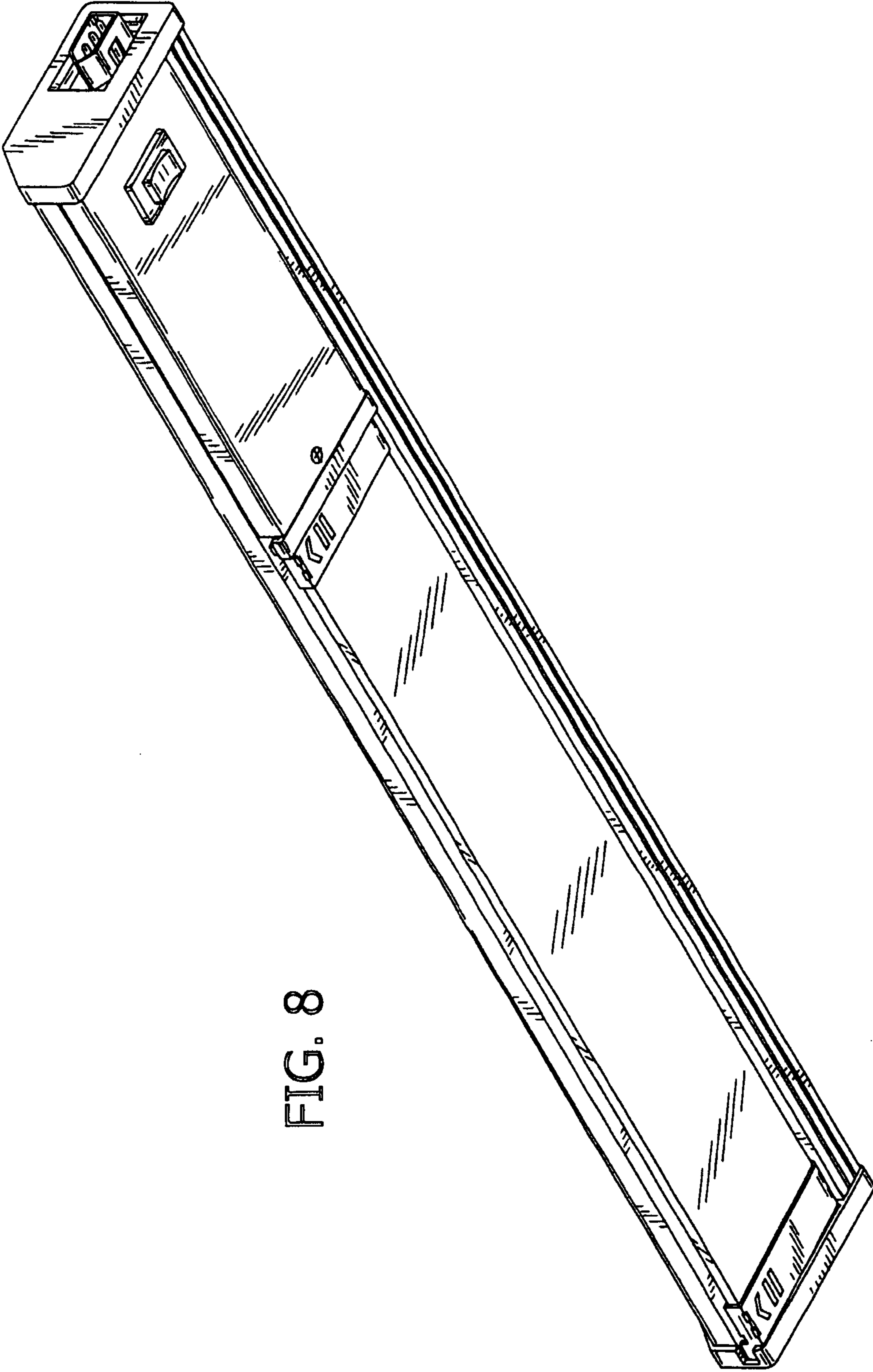


FIG. 8

FIG. 10

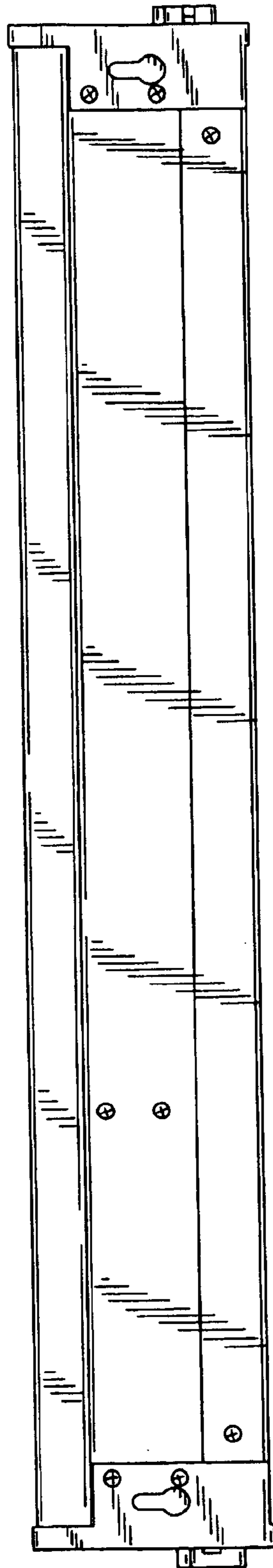
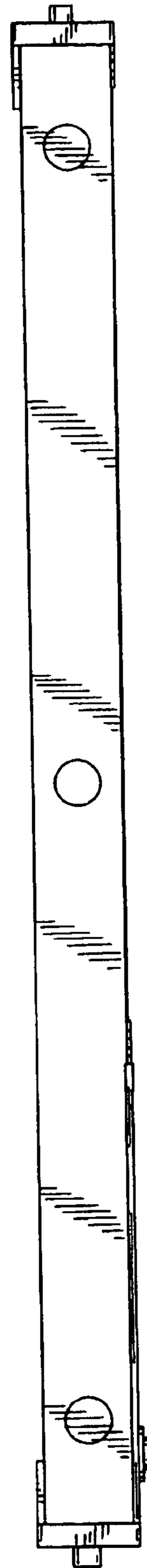


FIG. 9



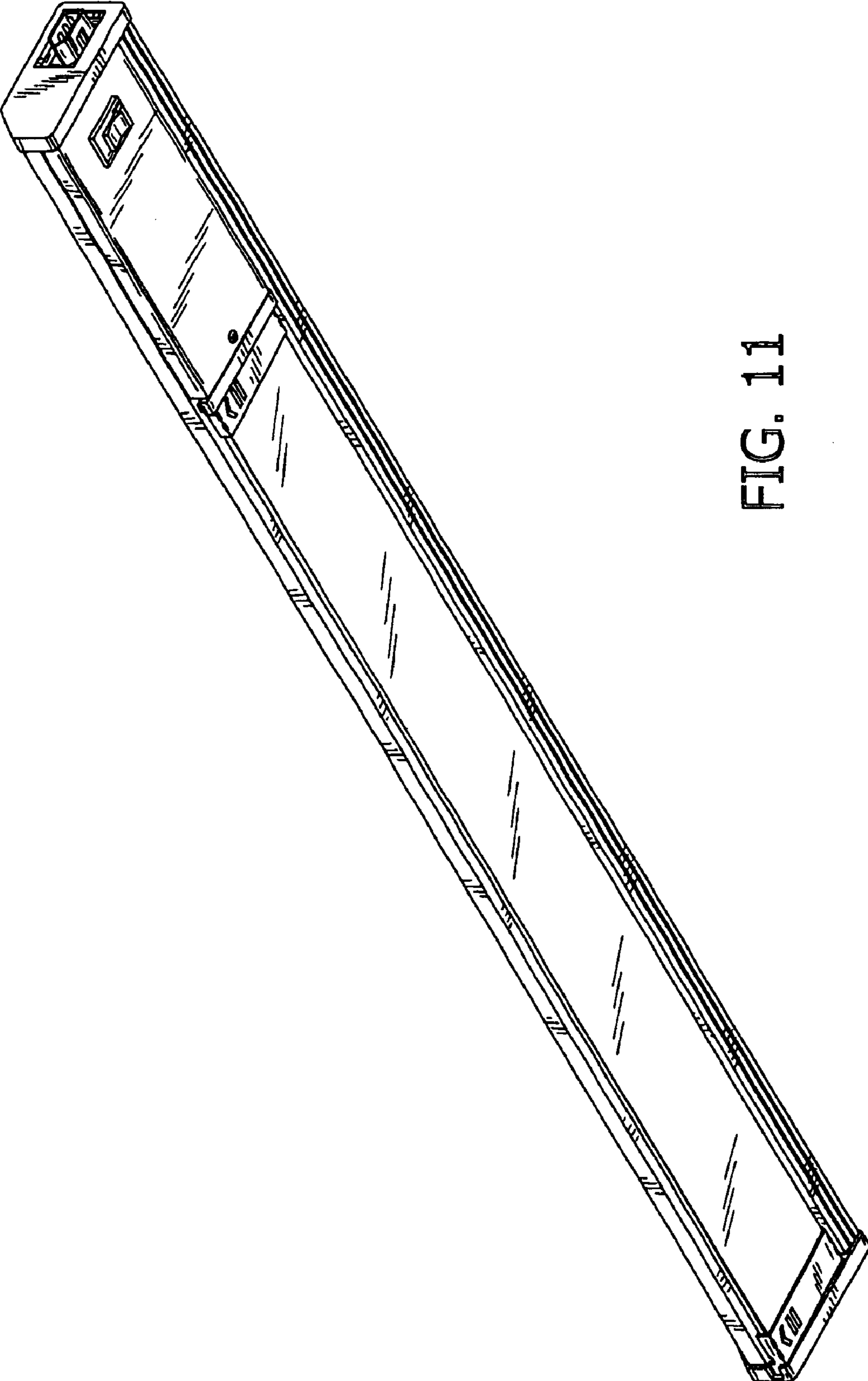


FIG. 11

FIG. 13

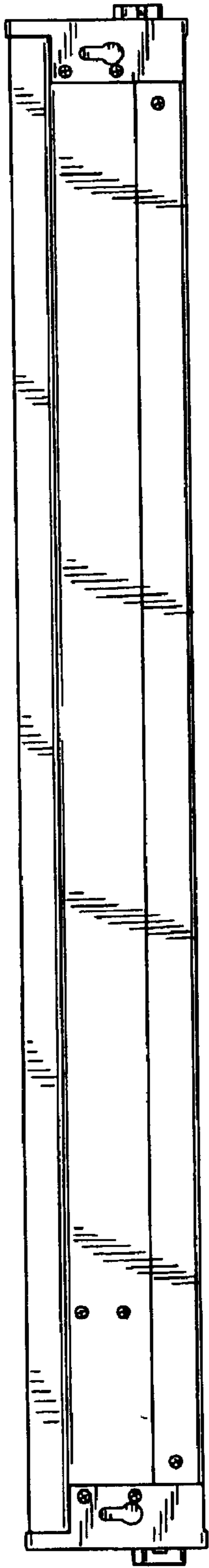
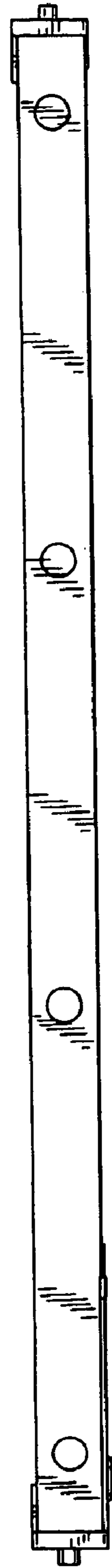


FIG. 12



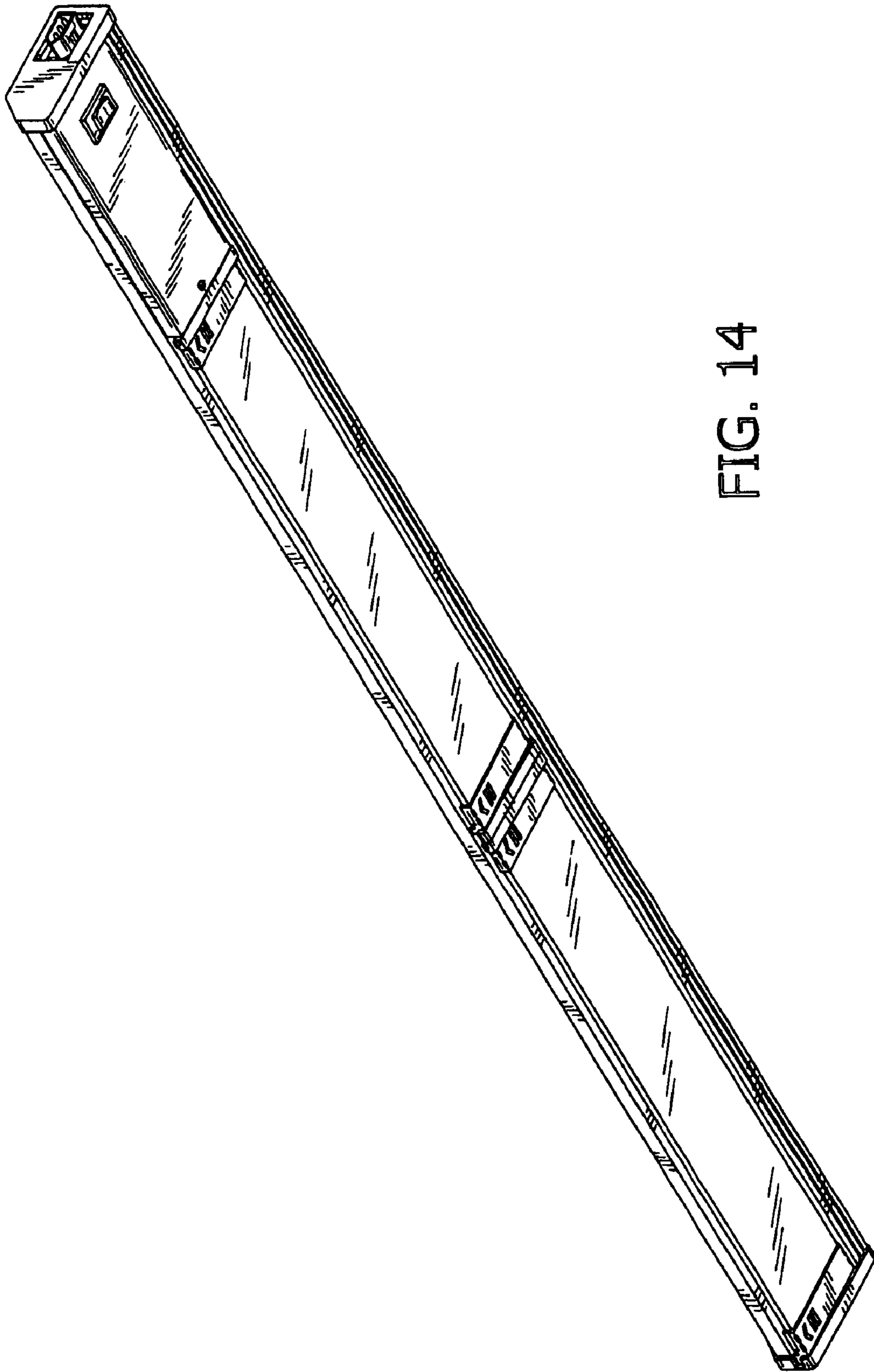


FIG. 14

FIG. 16

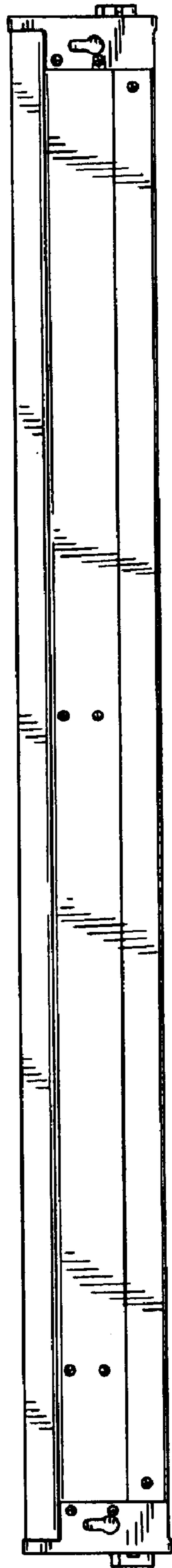


FIG. 15



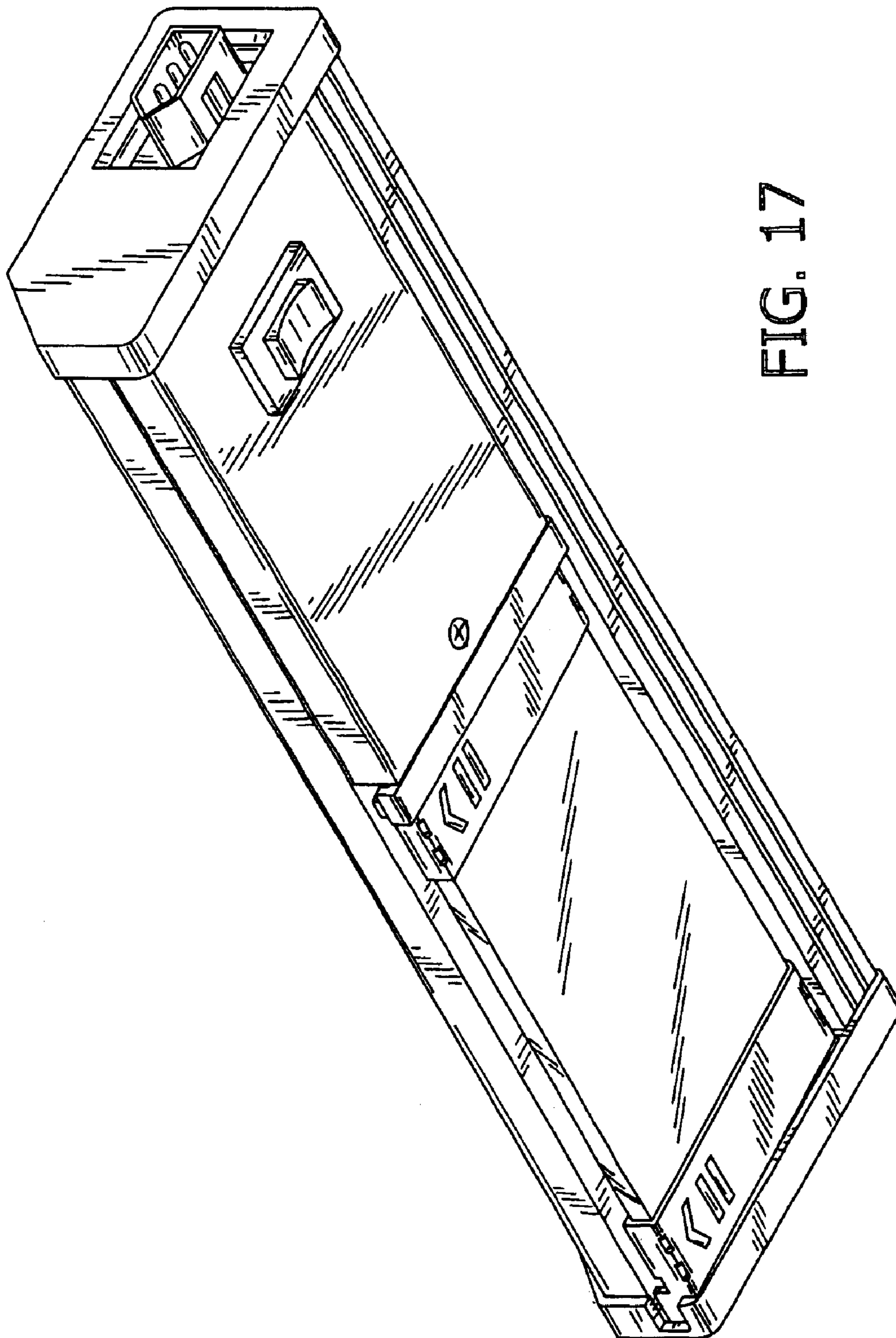


FIG. 17

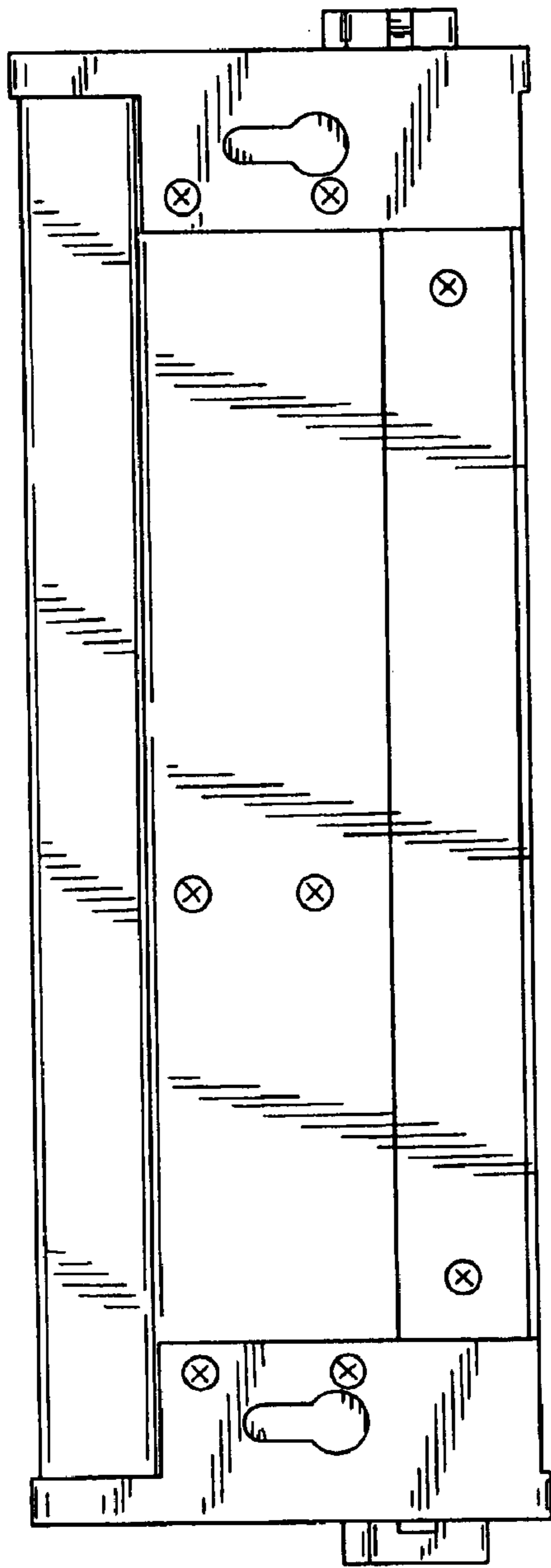


FIG. 19

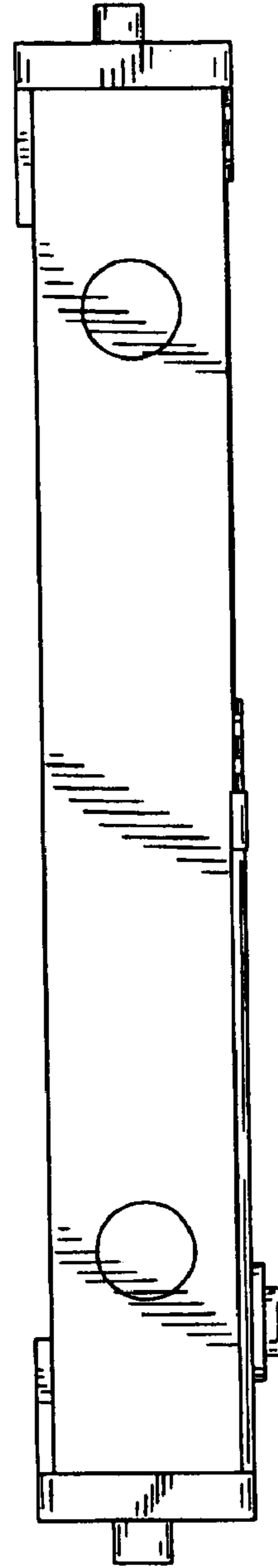


FIG. 18

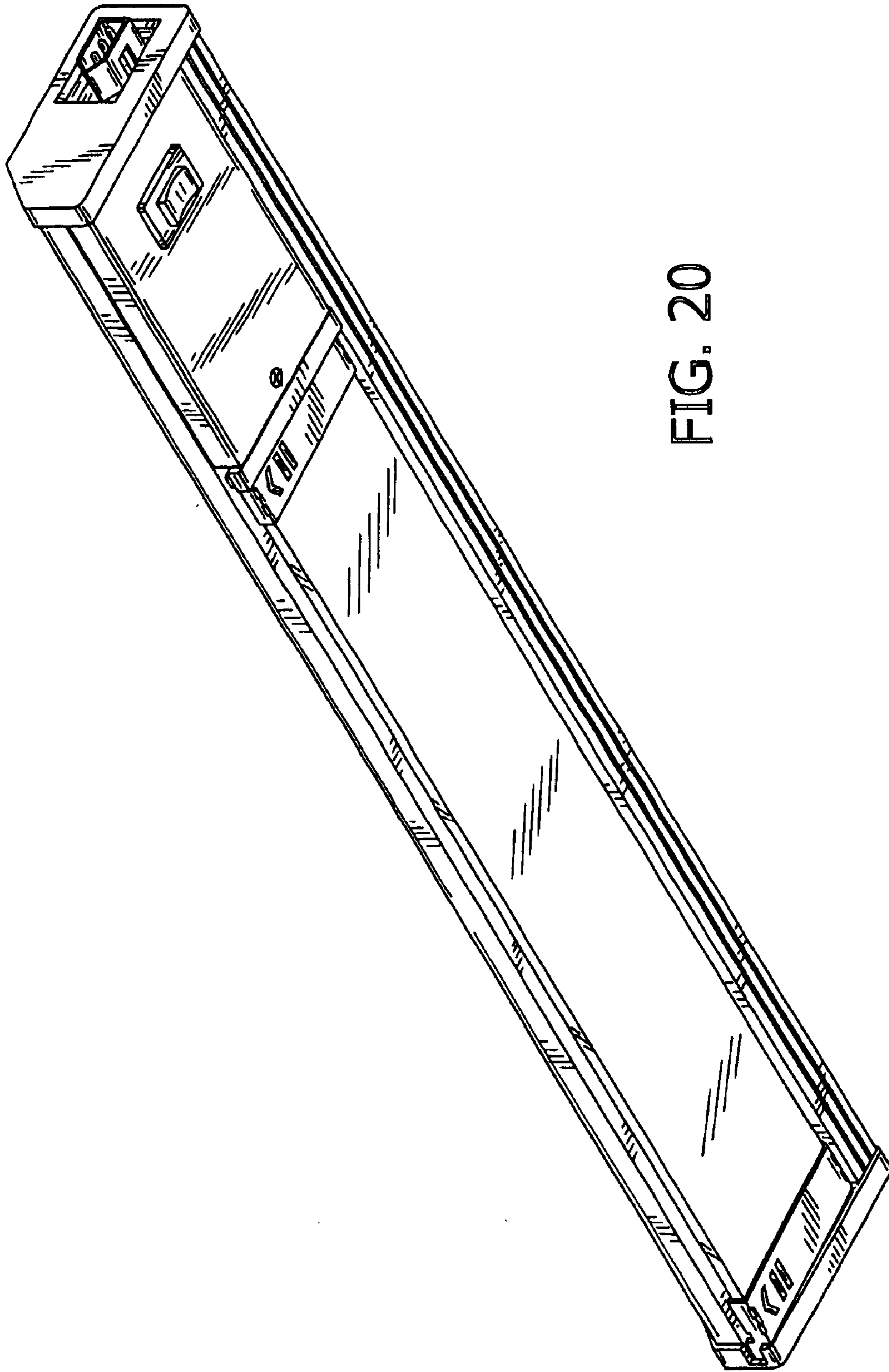


FIG. 20

FIG. 22

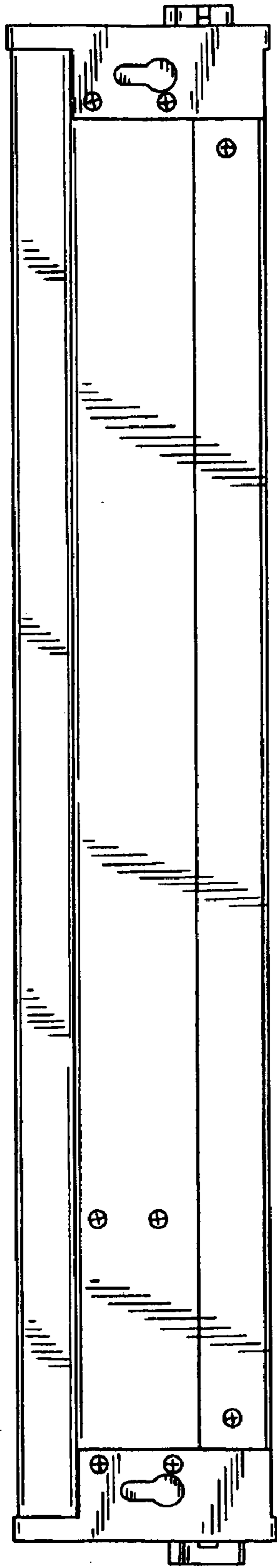
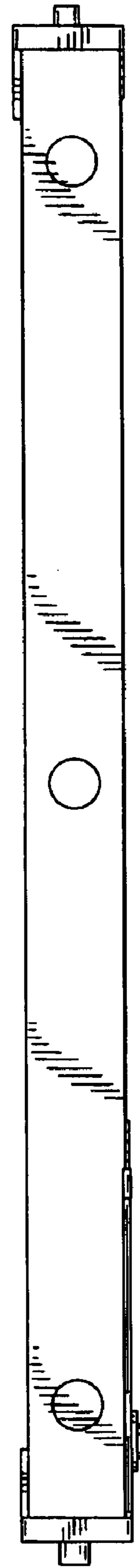


FIG. 21



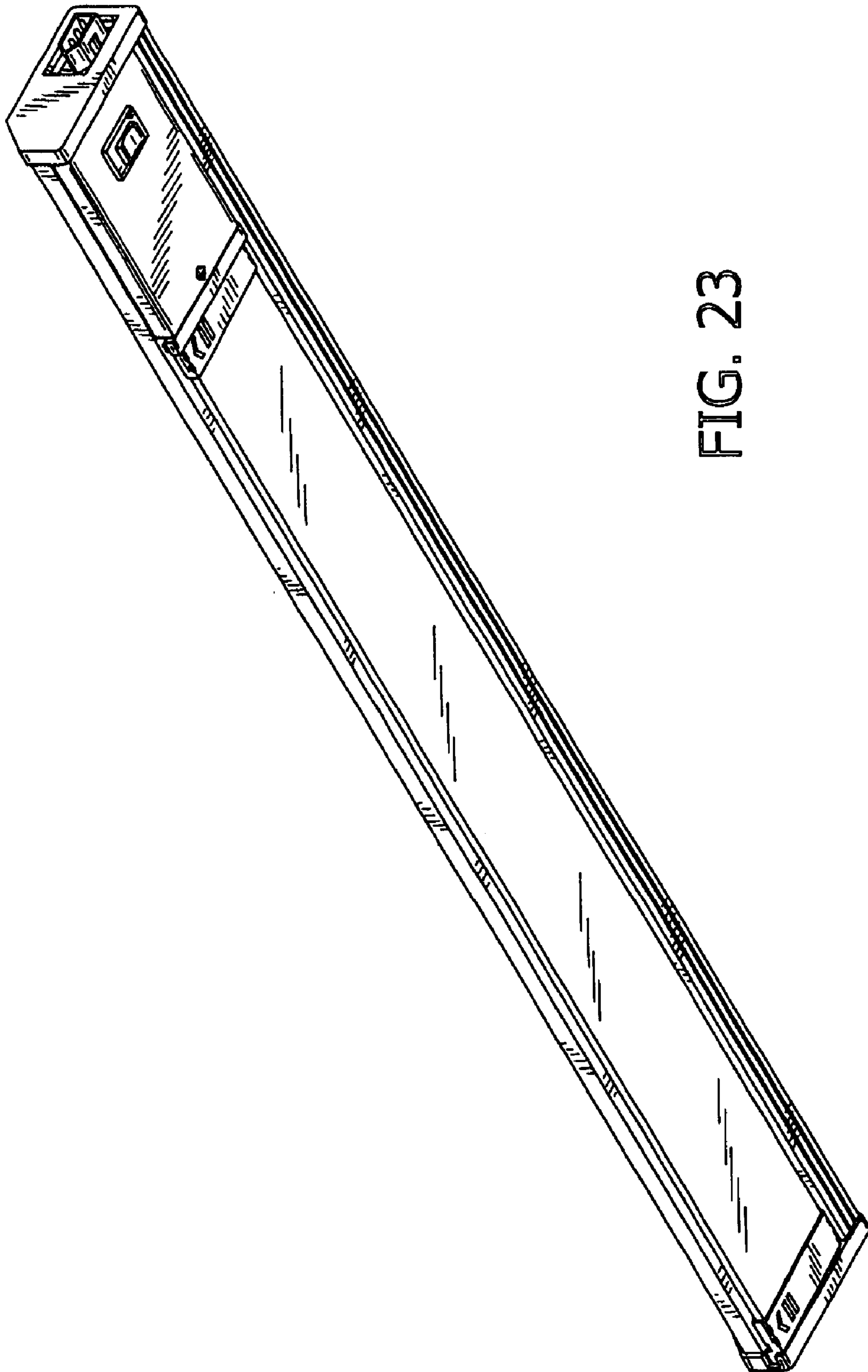


FIG. 23

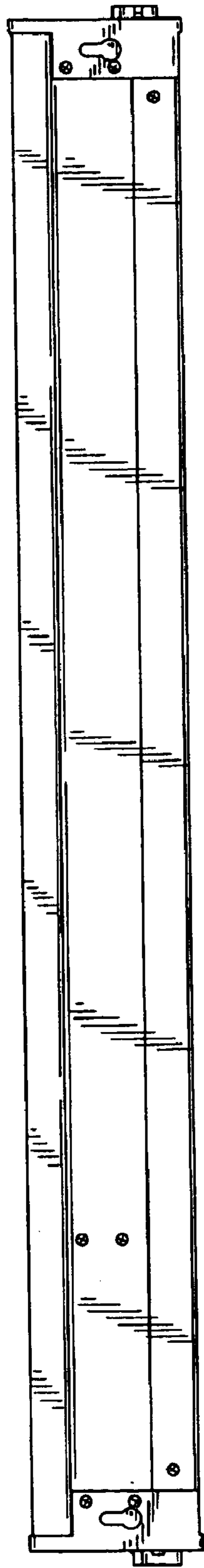


FIG. 25

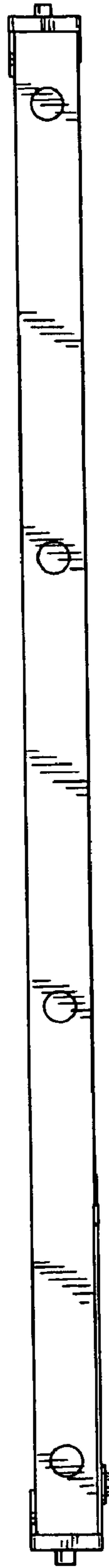


FIG. 24

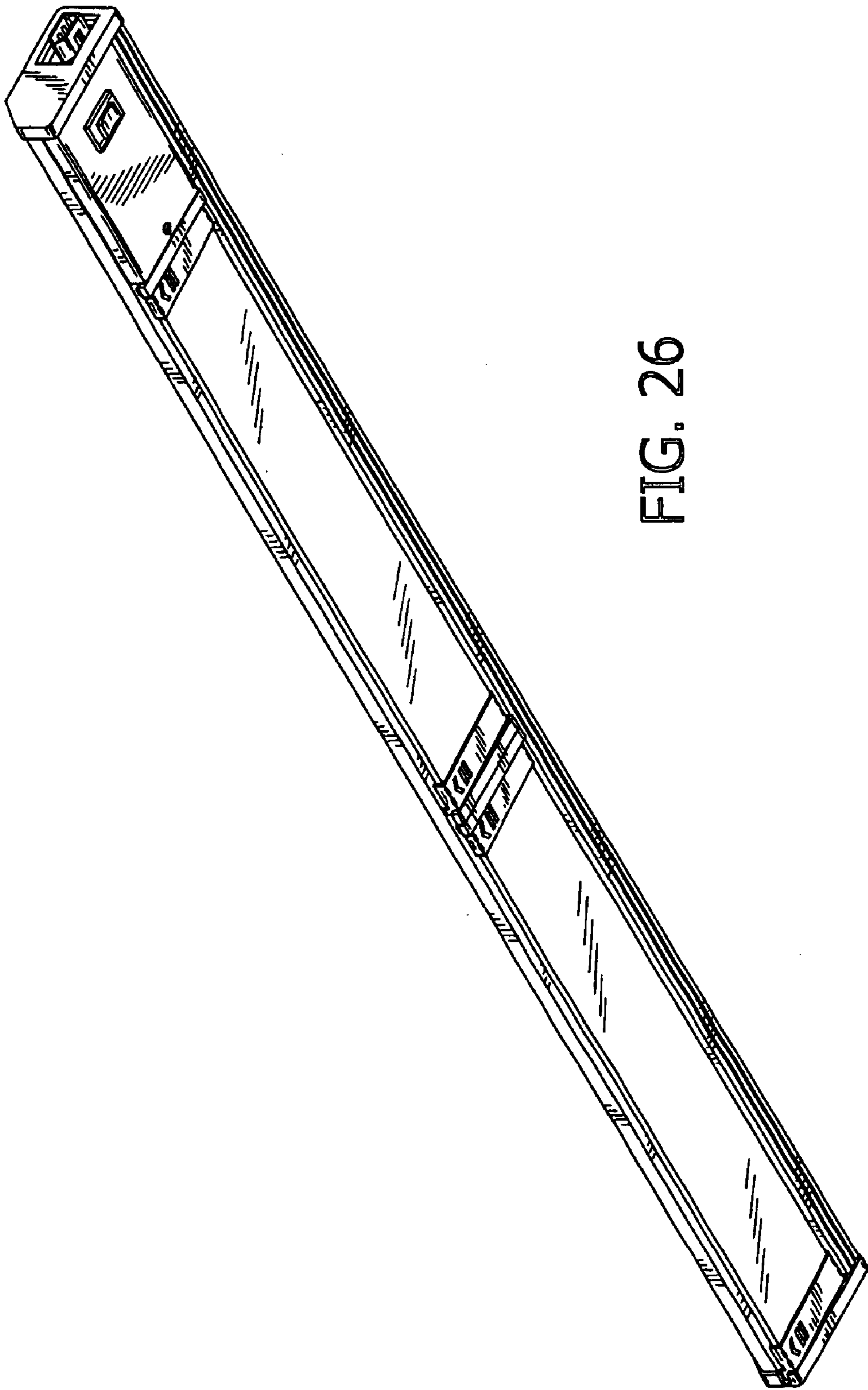


FIG. 26

FIG. 28

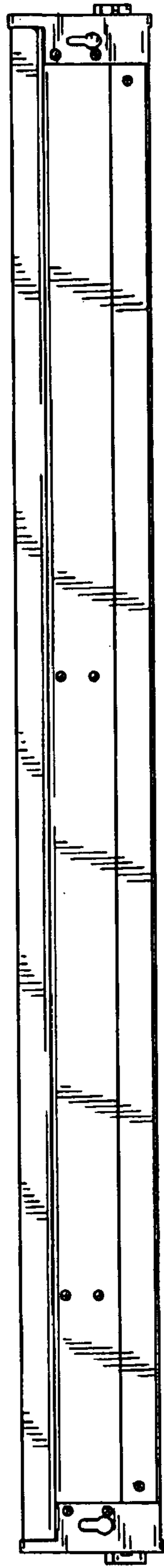
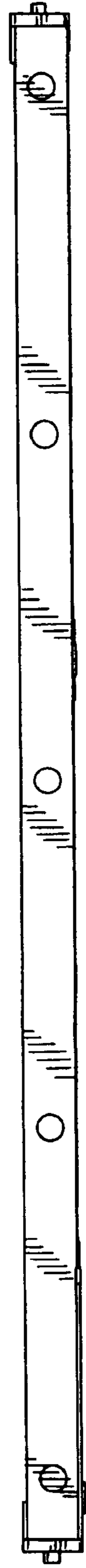


FIG. 27



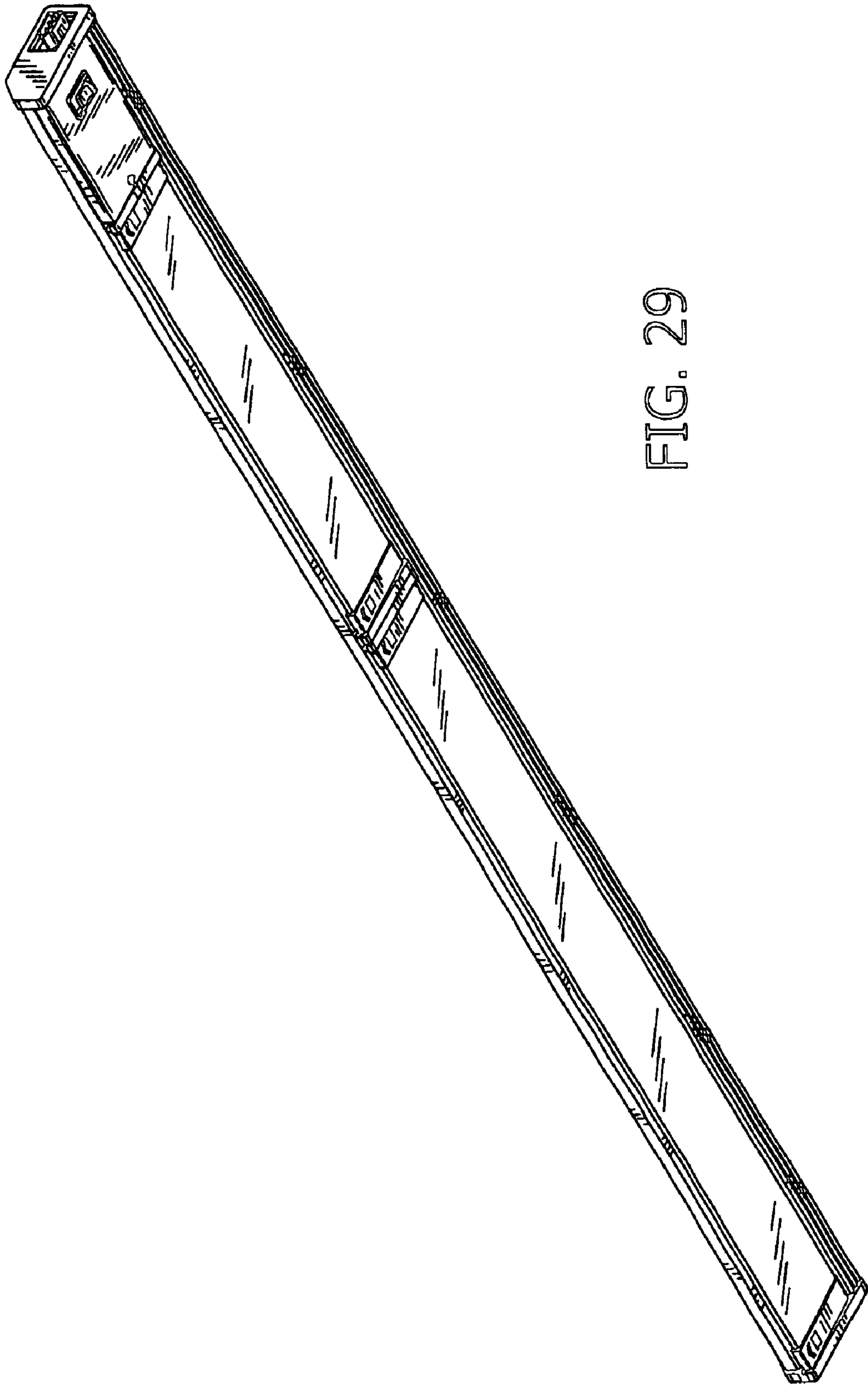


FIG. 29

FIG. 31

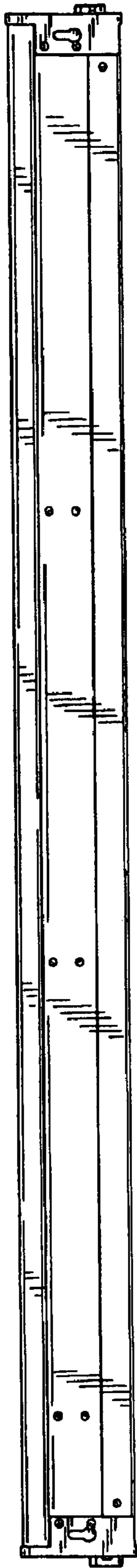


FIG. 30

