



US00D521167S

(12) **United States Design Patent**
Krieger et al.

(10) **Patent No.:** **US D521,167 S**

(45) **Date of Patent:** **** May 16, 2006**

(54) **INDOOR/OUTDOOR RECHARGEABLE LAMP**

D491,302 S * 6/2004 Krieger et al. D26/40
D505,216 S * 5/2005 Chen D26/40

(75) Inventors: **Michael Krieger**, Miami Beach, FL (US); **Kevin Ellsworth**, Hollywood, FL (US)

* cited by examiner

Primary Examiner—Marcus A. Jackson
(74) *Attorney, Agent, or Firm*—Venable LLP; Robert Kinberg; Manni Li

(73) Assignee: **Vector Products, Inc.**, Ft. Lauderdale, FL (US)

(57) **CLAIM**

(**) Term: **14 Years**

The ornamental design for an indoor/outdoor rechargeable lamp, as shown and described.

(21) Appl. No.: **29/225,042**

DESCRIPTION

(22) Filed: **Mar. 11, 2005**

FIG. 1 is a perspective view from the front-top left side of the indoor/outdoor rechargeable lamp showing our new design;

(51) **LOC (8) Cl.** **26-02**

FIG. 2 is a front view of the design shown in FIG. 1;

(52) **U.S. Cl.** **D26/40; D26/67**

FIG. 3 is a rear view of the design shown in FIG. 1;

(58) **Field of Classification Search** D26/37–50, D26/67; 362/157–158, 171–174, 183–208
See application file for complete search history.

FIG. 4 is a left side view of the design shown in FIG. 1;

FIG. 5 is a right side view of the design shown in FIG. 1;

FIG. 6 is a top view of the design shown in FIG. 1; and,

FIG. 7 is a bottom view of the design shown in FIG. 1.

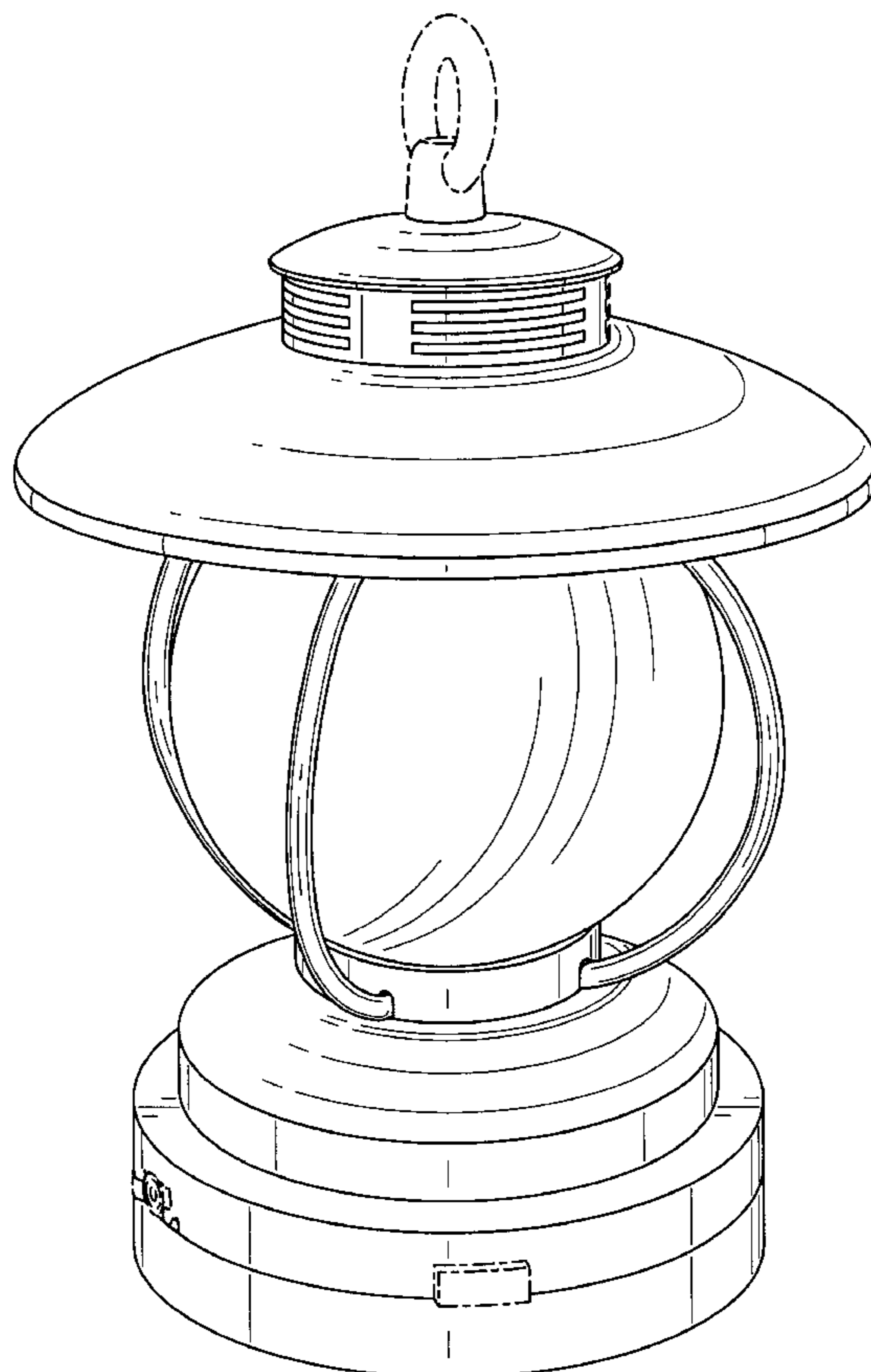
The broken lines immediately adjacent the shaded areas represent the bounds of the claimed design while all other broken lines are for illustrative purposes only; the broken lines form no part of the claimed design.

(56) **References Cited**

U.S. PATENT DOCUMENTS

D424,726 S * 5/2000 Petterson et al. D26/40
D429,354 S * 8/2000 Petterson D26/40

1 Claim, 7 Drawing Sheets



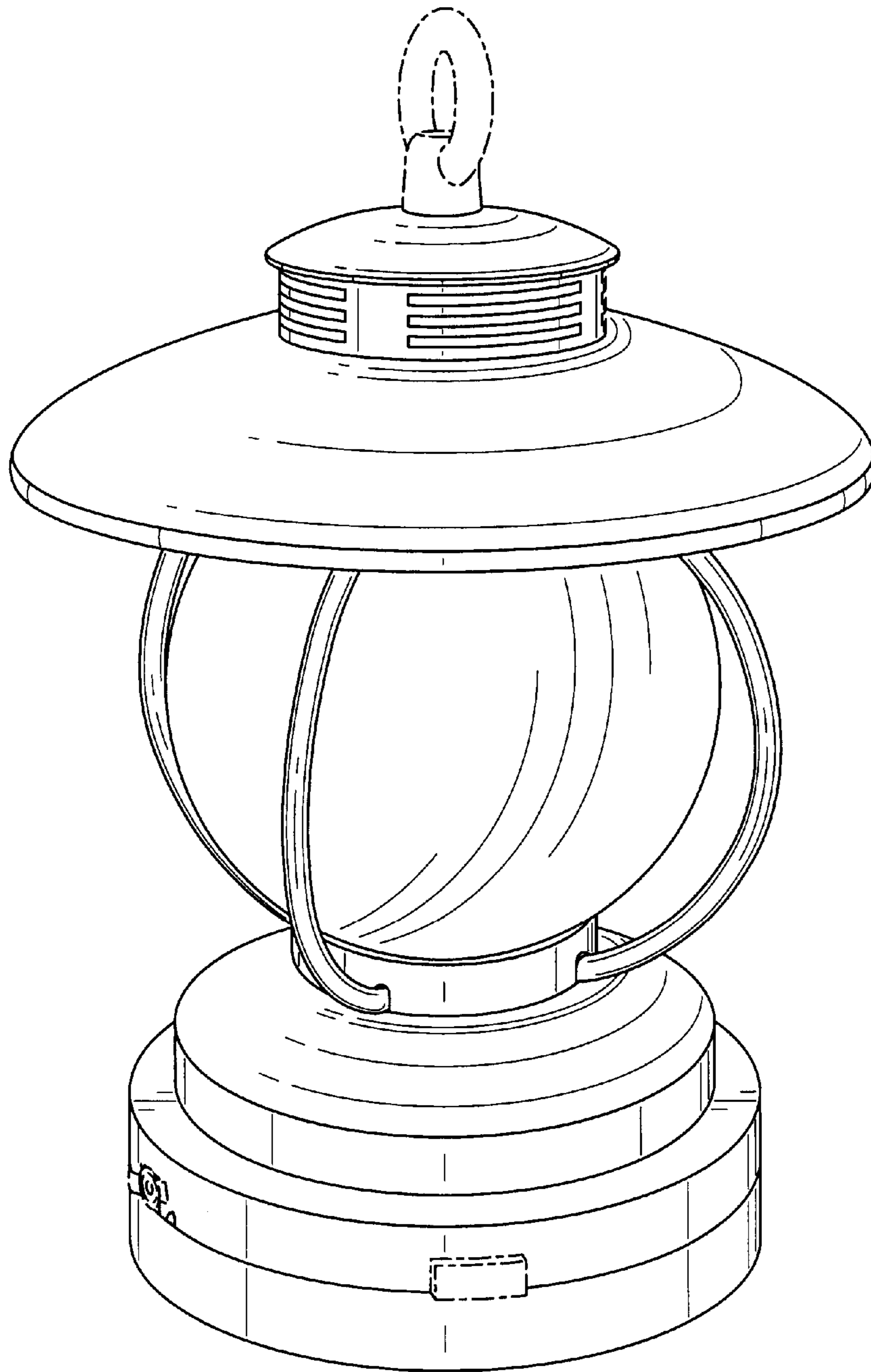


FIG. 1

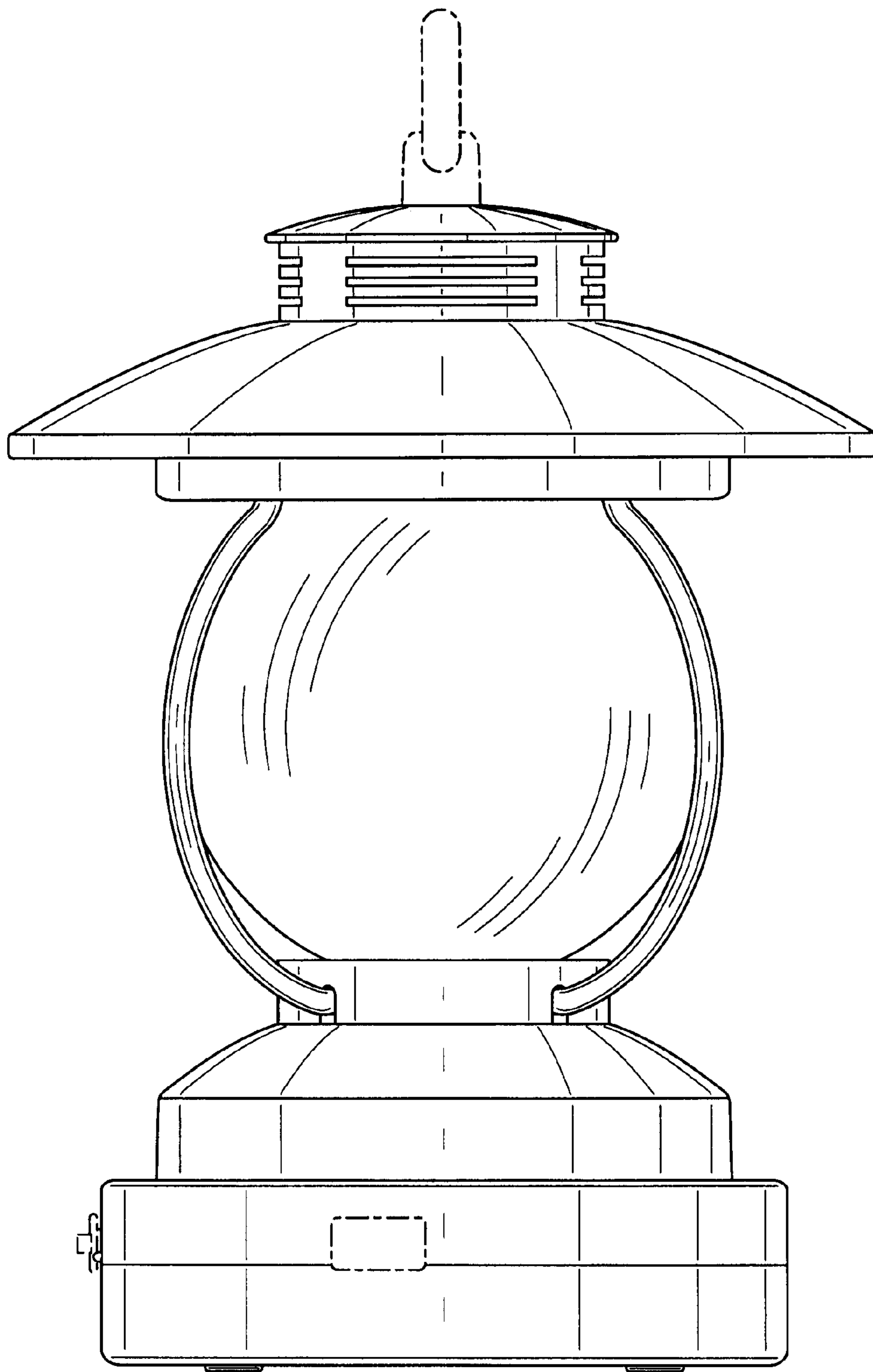


FIG. 2

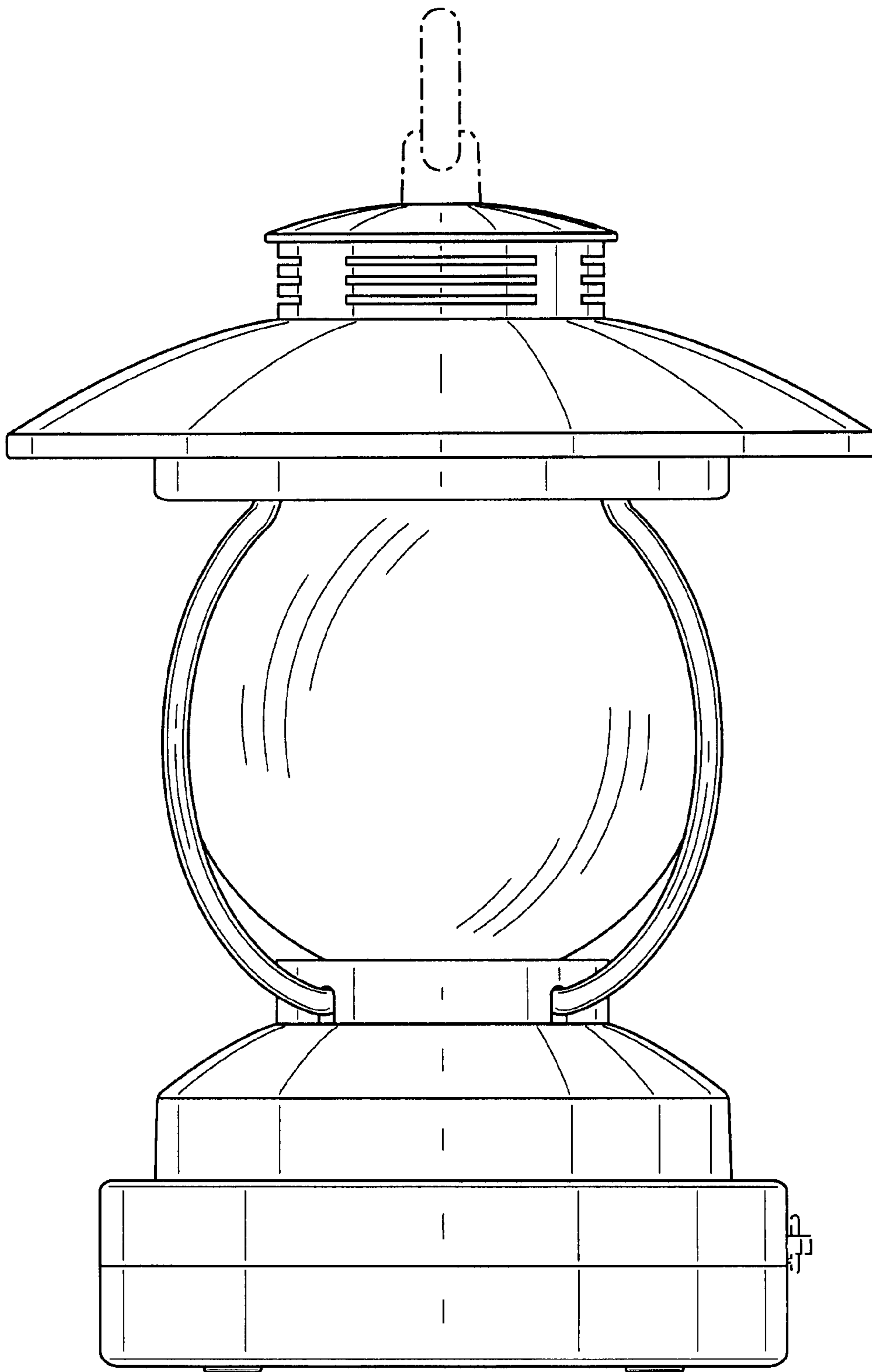


FIG. 3

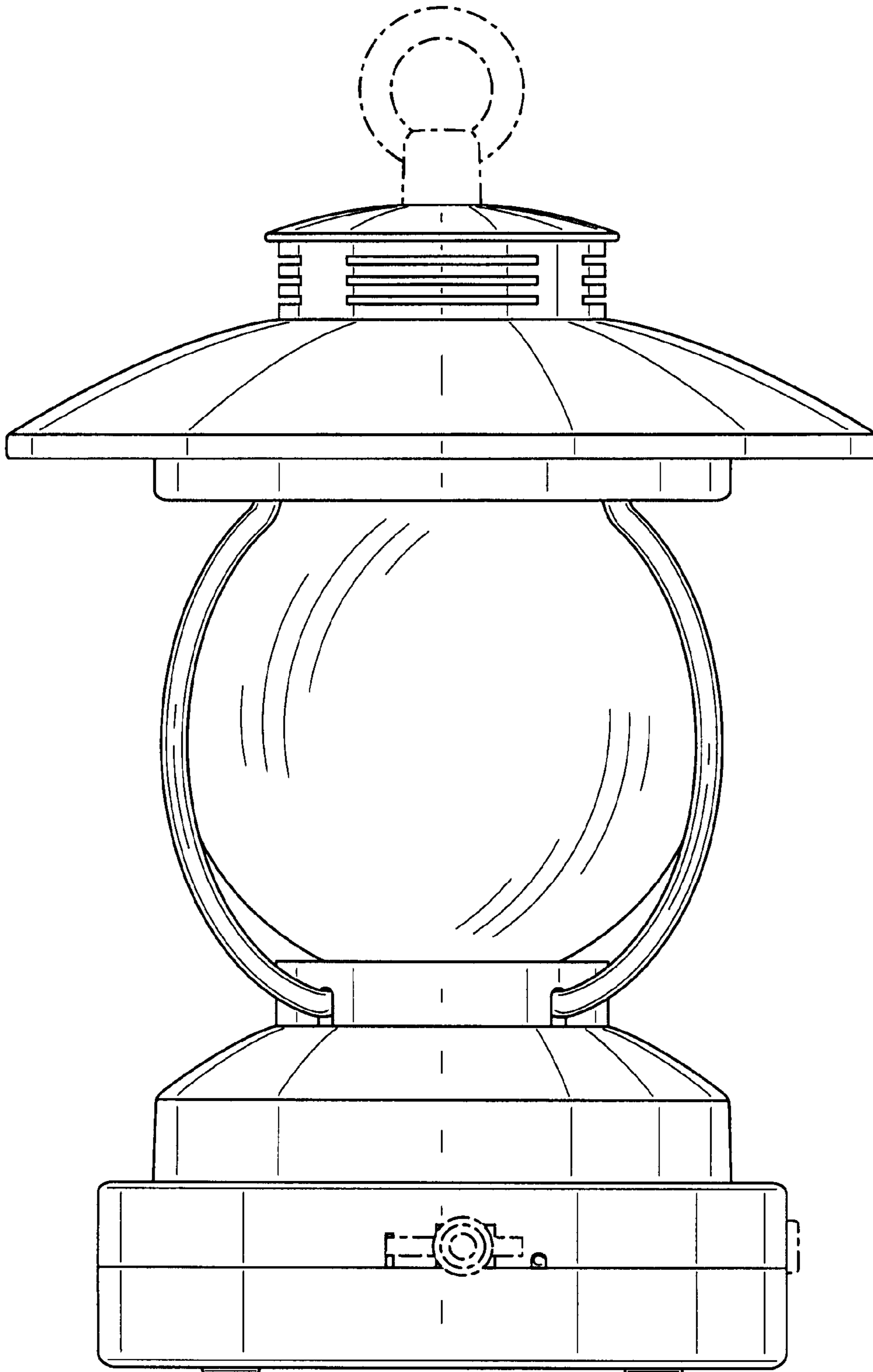


FIG. 4

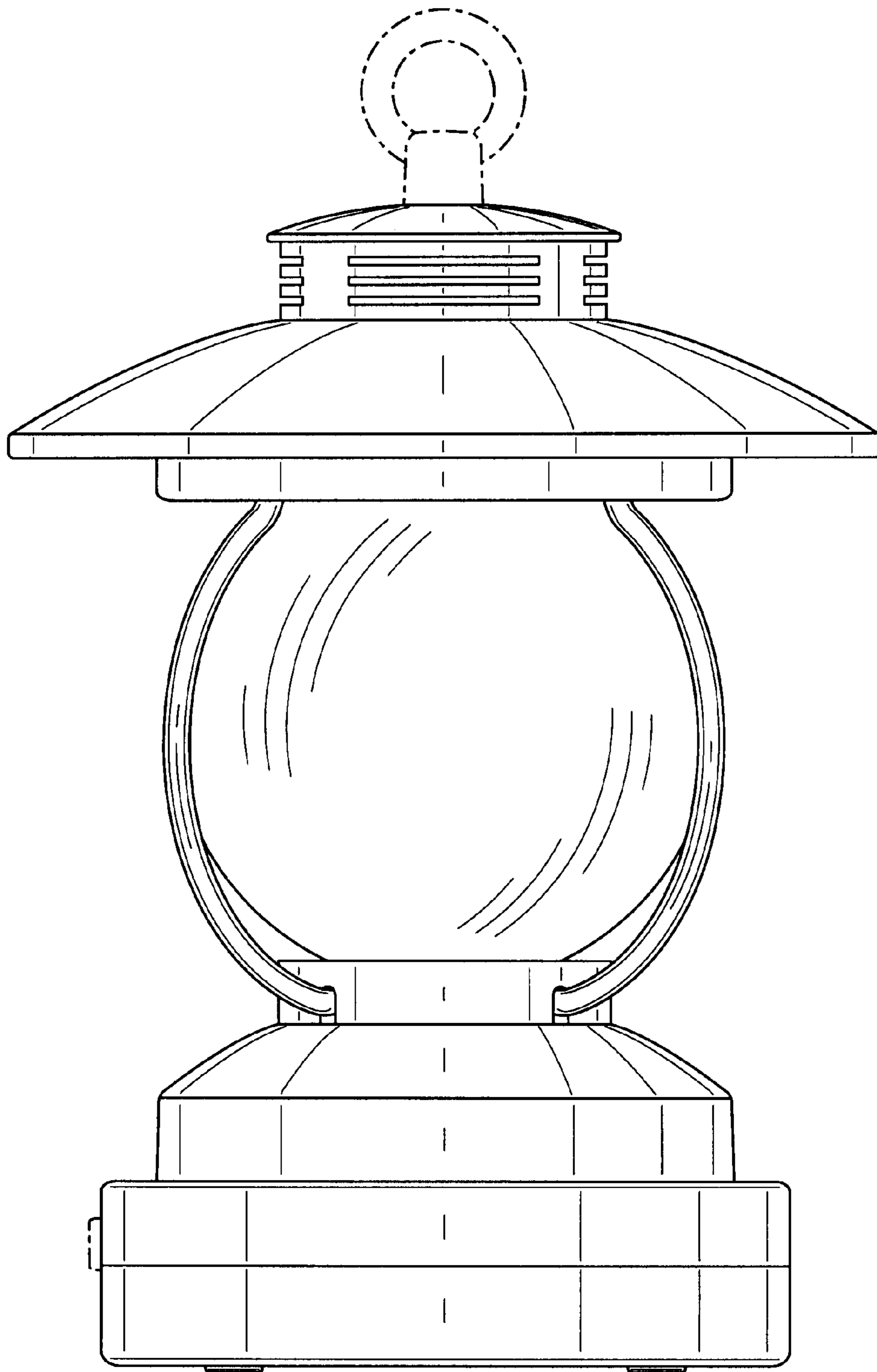


FIG. 5

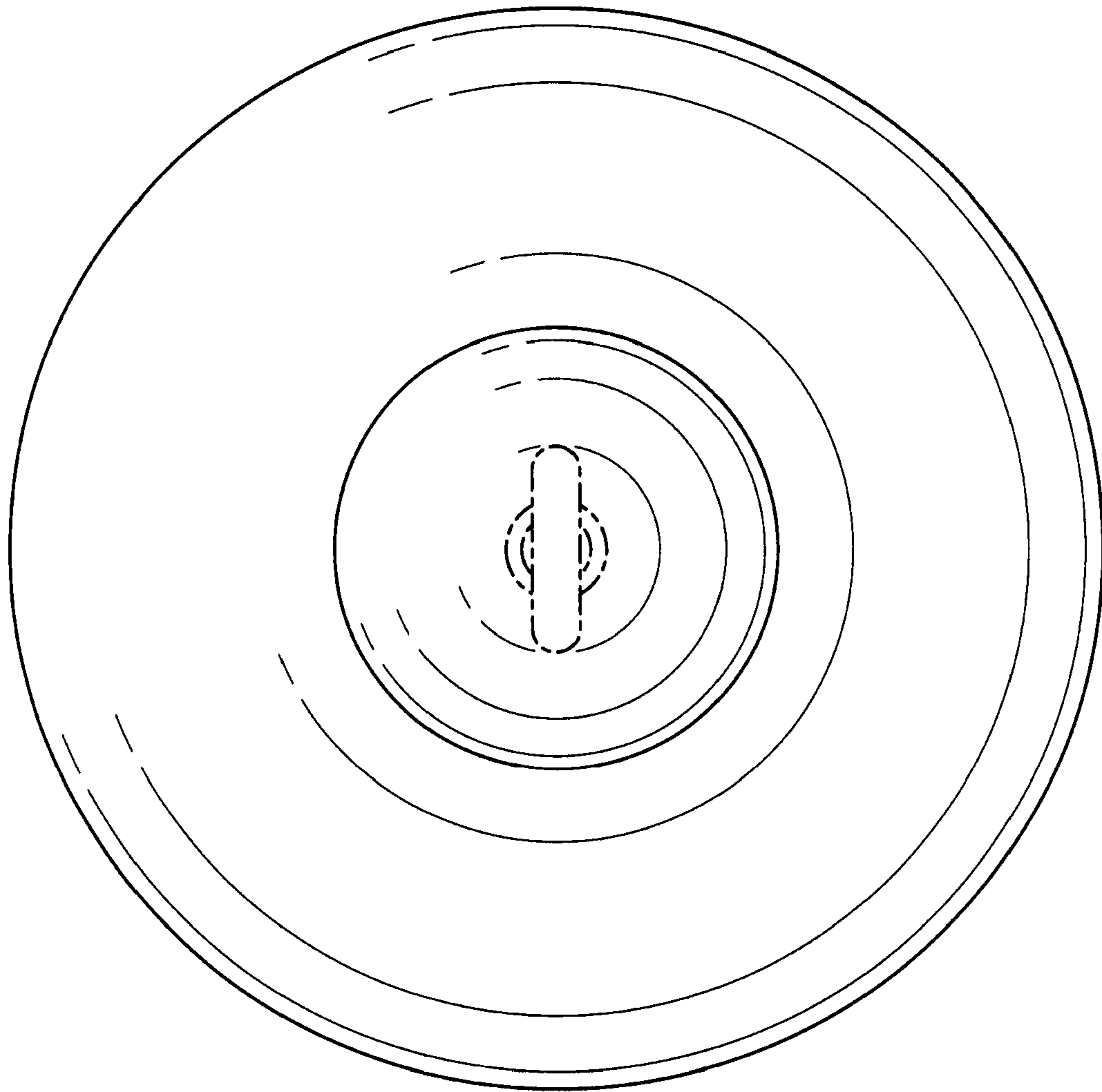


FIG. 6

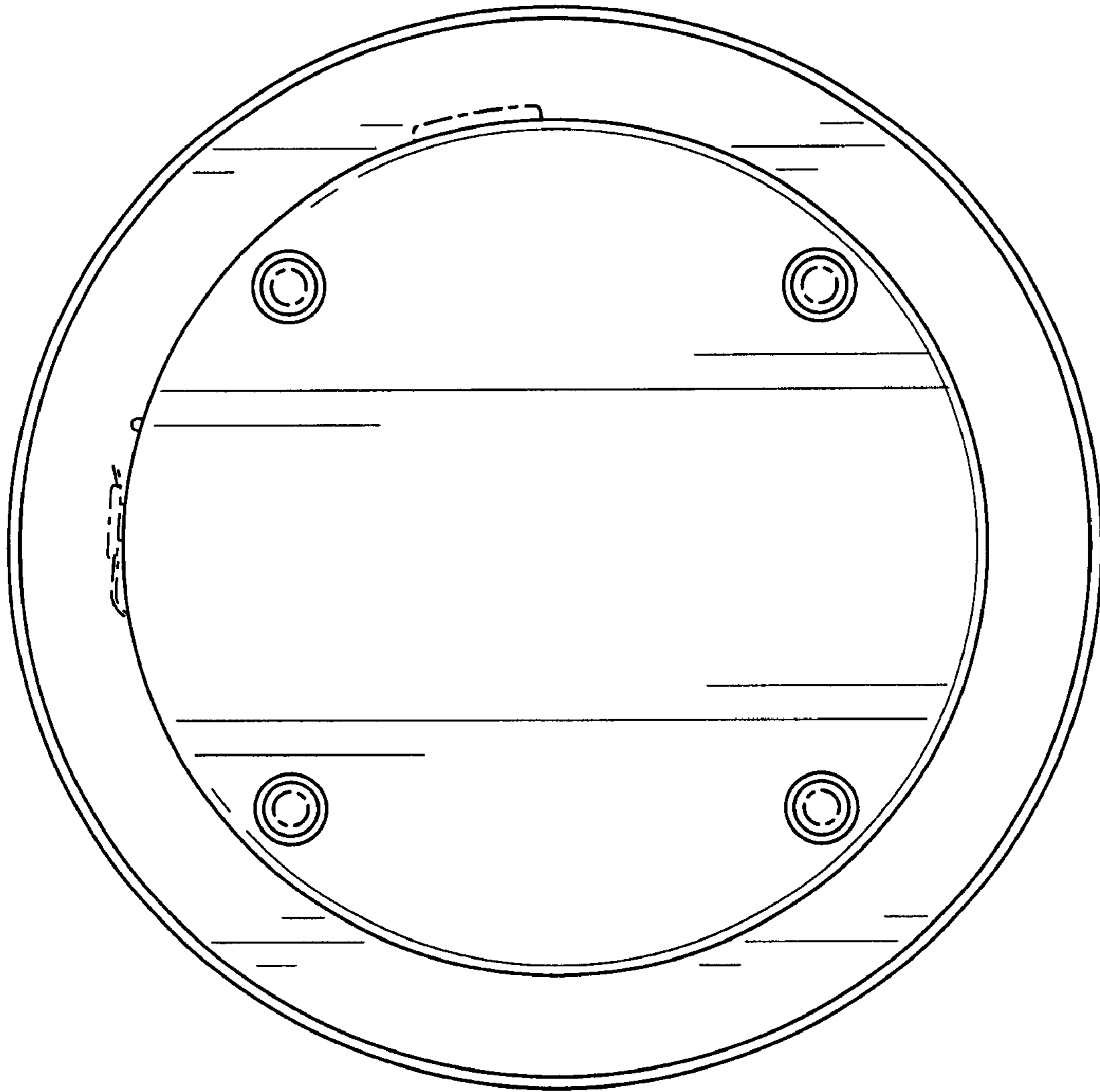


FIG. 7