



US00D521166S

(12) **United States Design Patent**  
**Yamamoto et al.**

(10) **Patent No.:** **US D521,166 S**  
(45) **Date of Patent:** **\*\* May 16, 2006**

(54) **FLASH LIGHT**

(75) Inventors: **Yukihiro Yamamoto**, Toyko (JP);  
**Kenji Iwai**, Tokyo (JP); **Setsuo Ohtaka**, Tokyo (JP)

(73) Assignee: **FDK Corporation**, Tokyo (JP)

(\*\*) Term: **14 Years**

(21) Appl. No.: **29/224,429**

(22) Filed: **Mar. 1, 2005**

(30) **Foreign Application Priority Data**

Sep. 3, 2004 (JP) ..... 2004-026820  
Sep. 3, 2004 (JP) ..... 2004-026821

(51) **LOC (8) Cl.** ..... **26-02**

(52) **U.S. Cl.** ..... **D26/37**

(58) **Field of Classification Search** ..... D26/37-50;  
362/157, 158, 171-174, 183-208  
See application file for complete search history.

(56) **References Cited**

**U.S. PATENT DOCUMENTS**

D504,530 S \* 4/2005 Shiu ..... D26/37  
D509,008 S \* 8/2005 Shiu ..... D26/37

\* cited by examiner

*Primary Examiner*—Marcus A. Jackson  
(74) *Attorney, Agent, or Firm*—Harness, Dickey & Pierce, P.L.C.

(57) **CLAIM**

The ornamental design for a flash light, as shown and described.

**DESCRIPTION**

FIG. 1 is a perspective view of the flash light showing our new design;  
FIG. 2 is a front view of the new design;  
FIG. 3 is a top view of the new design;  
FIG. 4 is a bottom view of the new design;  
FIG. 5 is a rear view of the new design;  
FIG. 6 is a left side view, the right side view being a mirror image of the left side view of the new design;  
FIG. 7 is a perspective view of a second embodiment of our new design of FIGS. 1-6;  
FIG. 8 is a front view of the second embodiment;  
FIG. 9 is a top view of the second embodiment;  
FIG. 10 is a bottom view of the second embodiment;  
FIG. 11 is a rear view of the second embodiment; and,  
FIG. 12 is a left side view, the right side view being a mirror image of the left side view of the second embodiment.

**1 Claim, 10 Drawing Sheets**

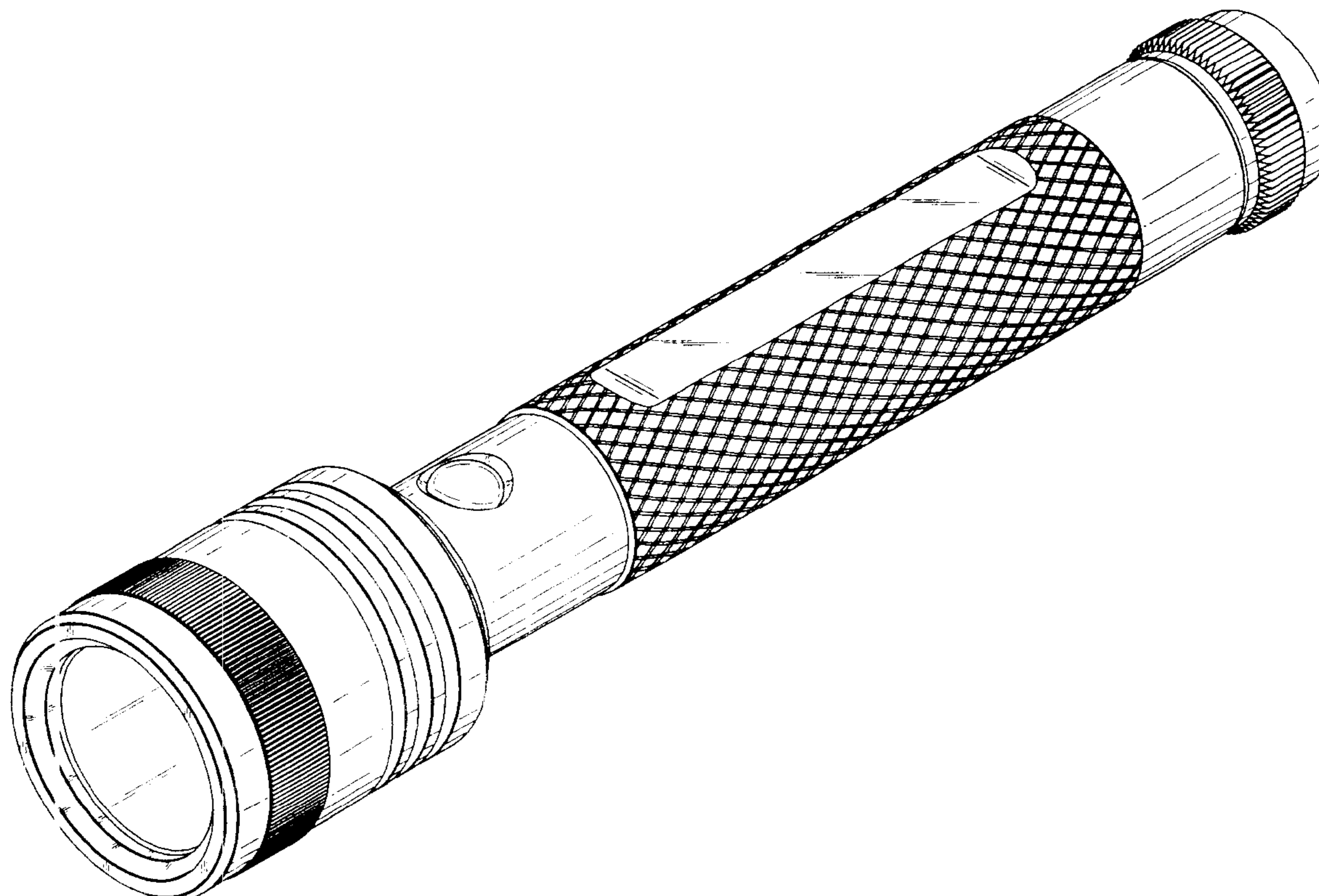


FIG. 1

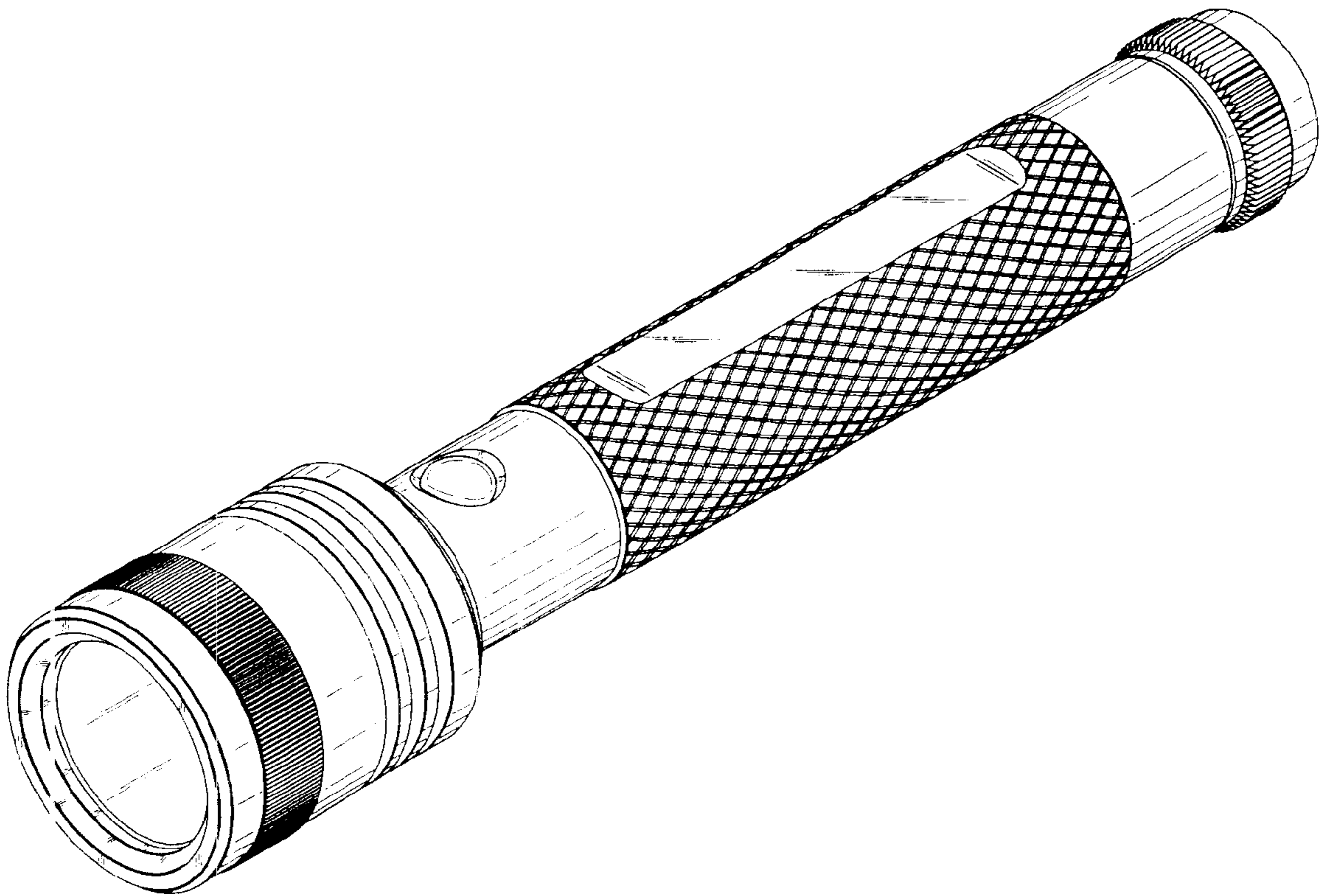


FIG.2

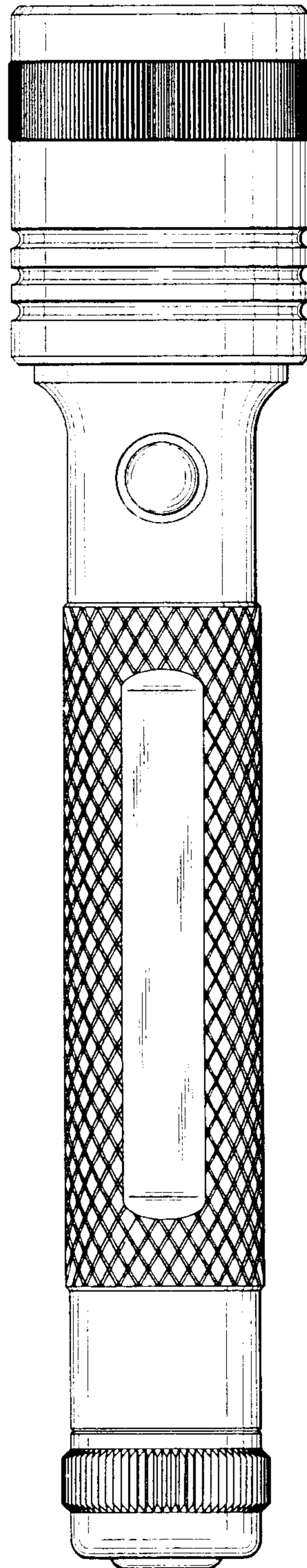


FIG.3

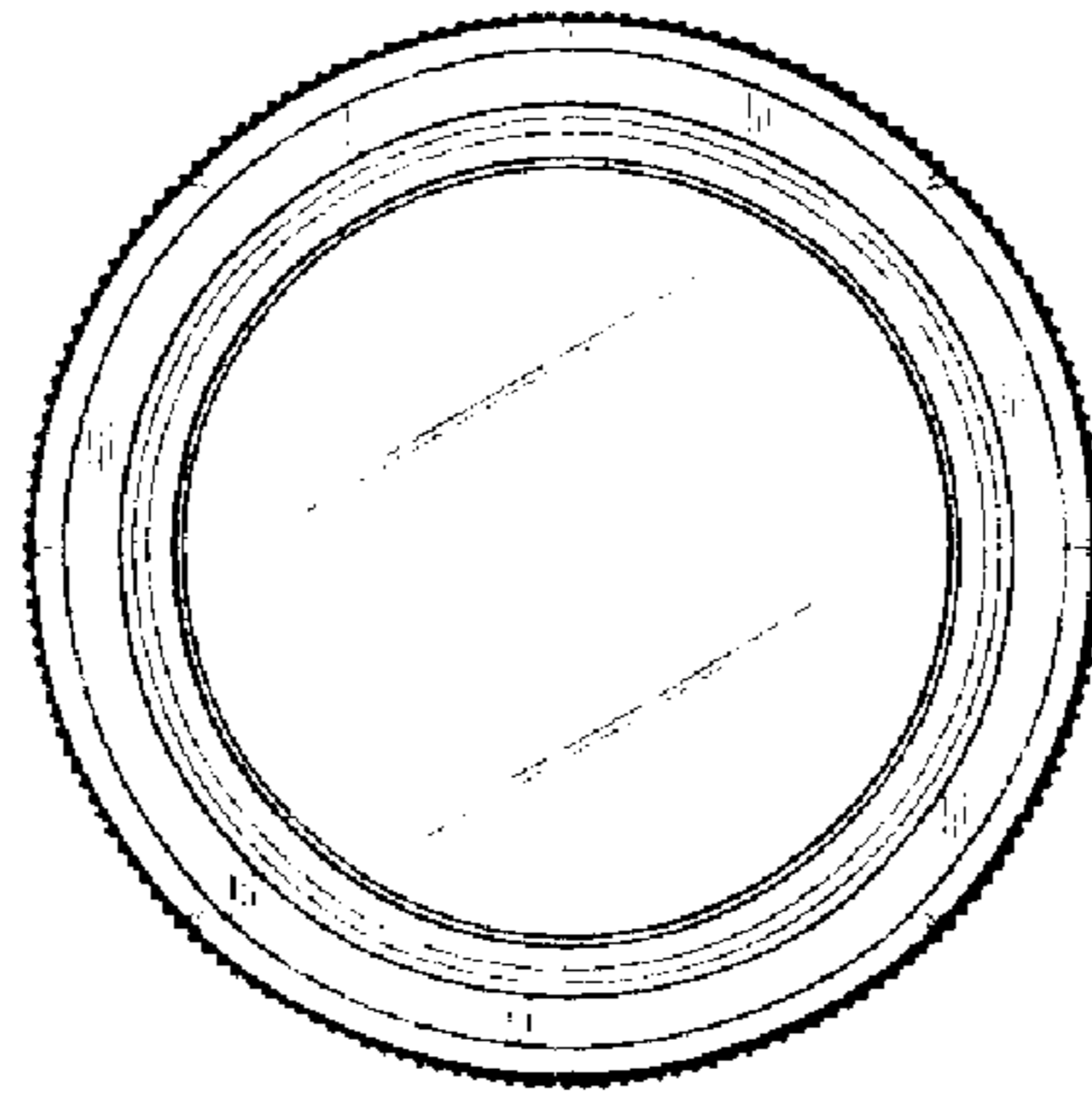


FIG.4

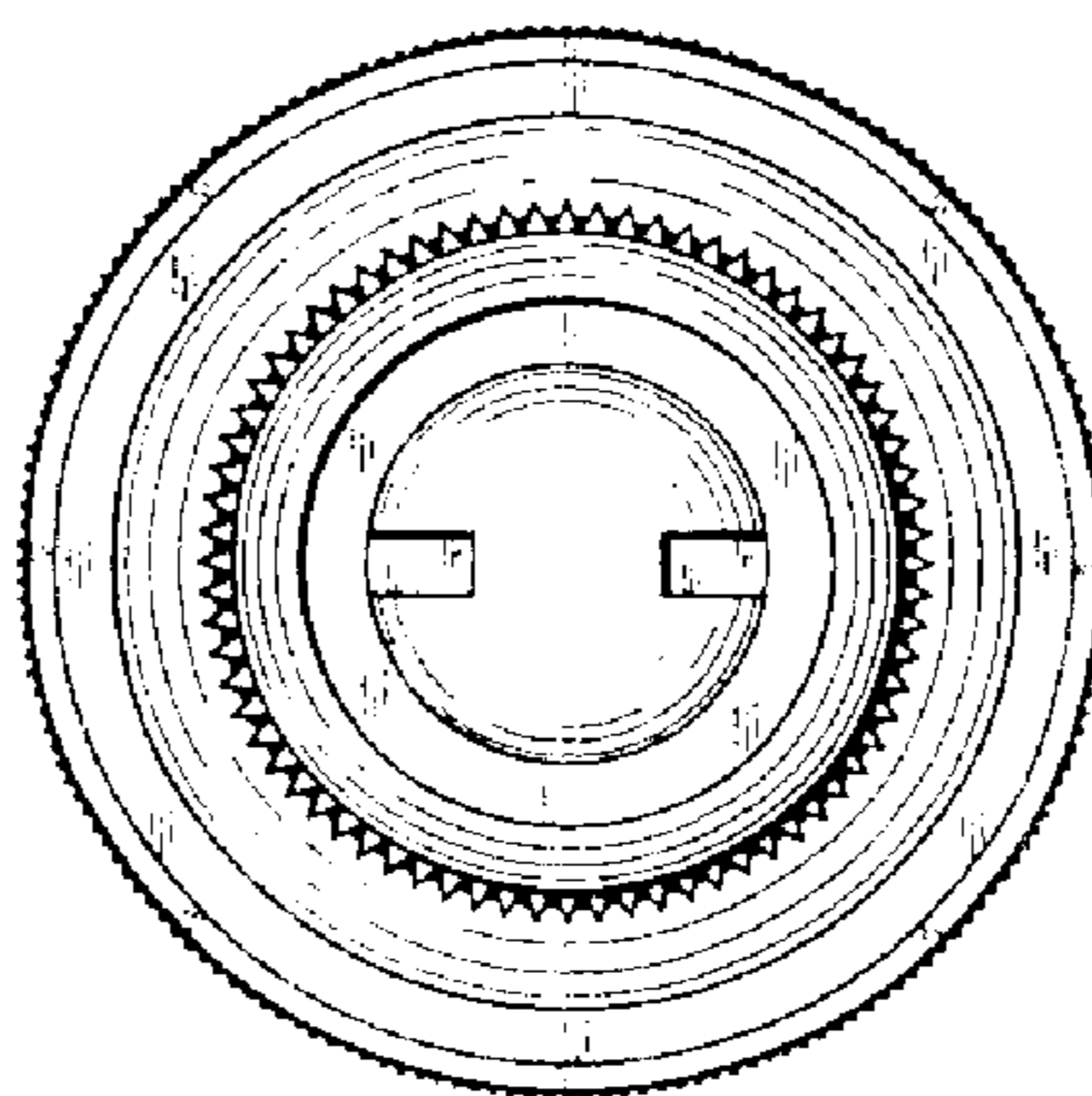


FIG.5

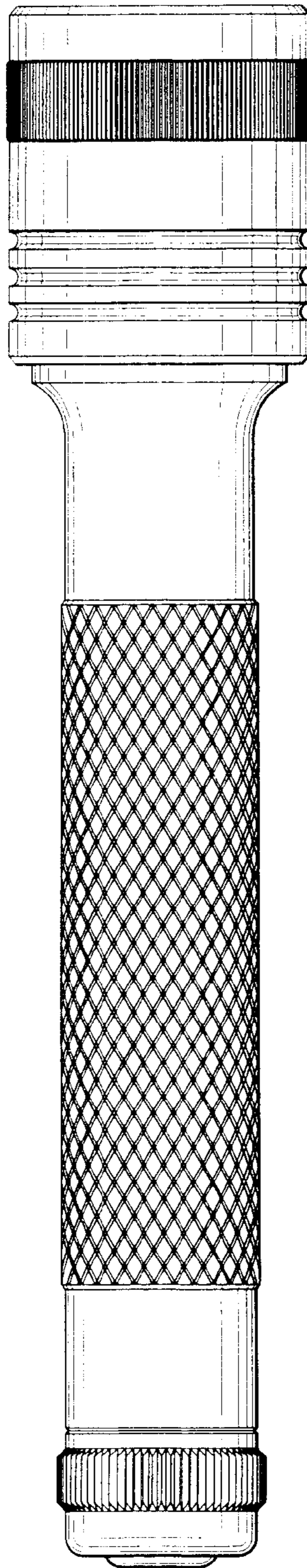


FIG.6

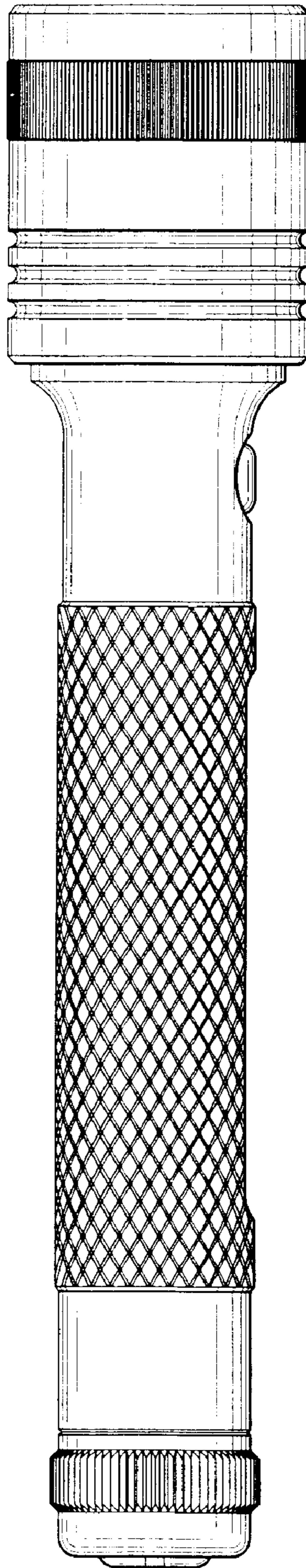


FIG.7

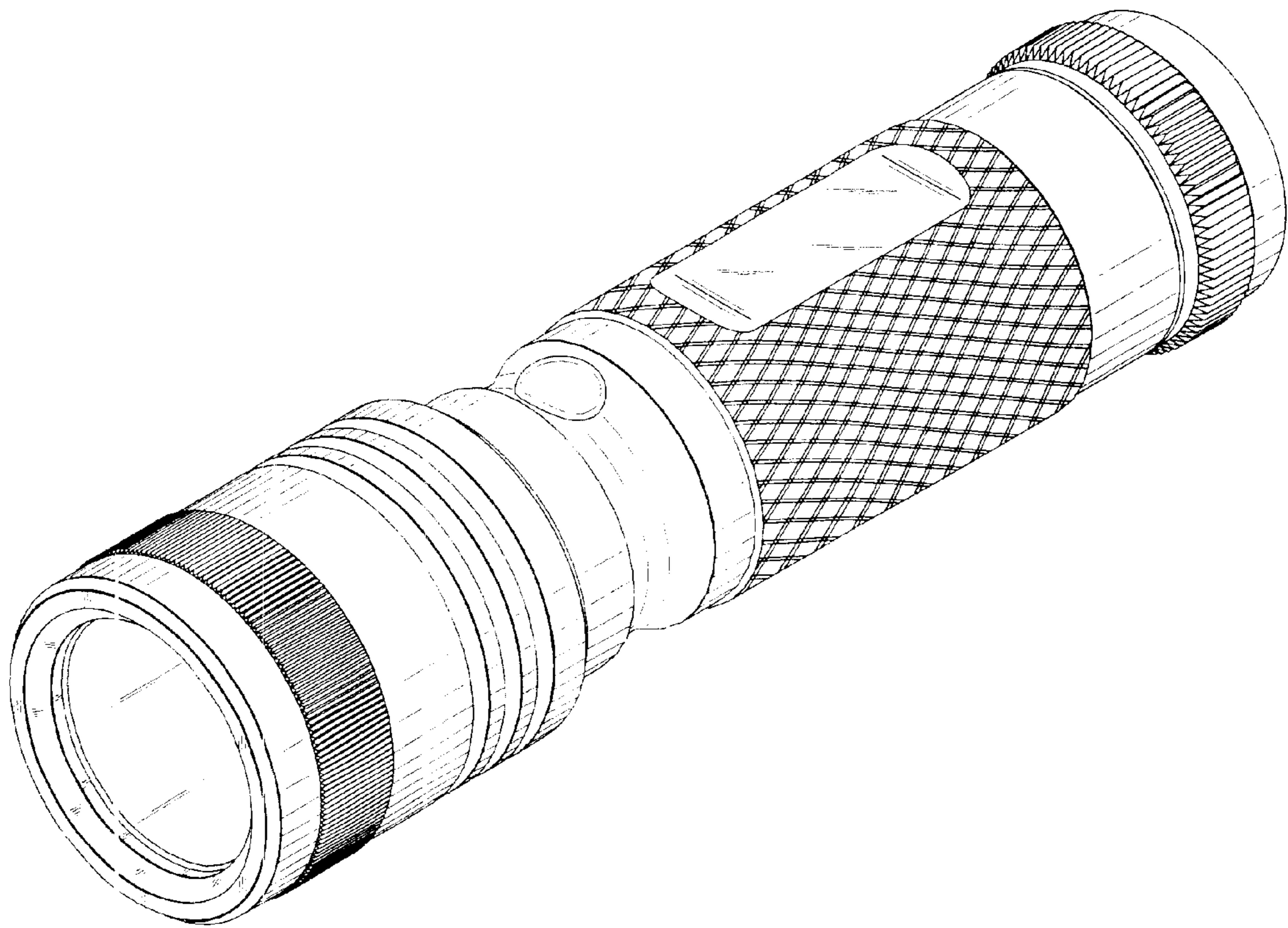


FIG.8

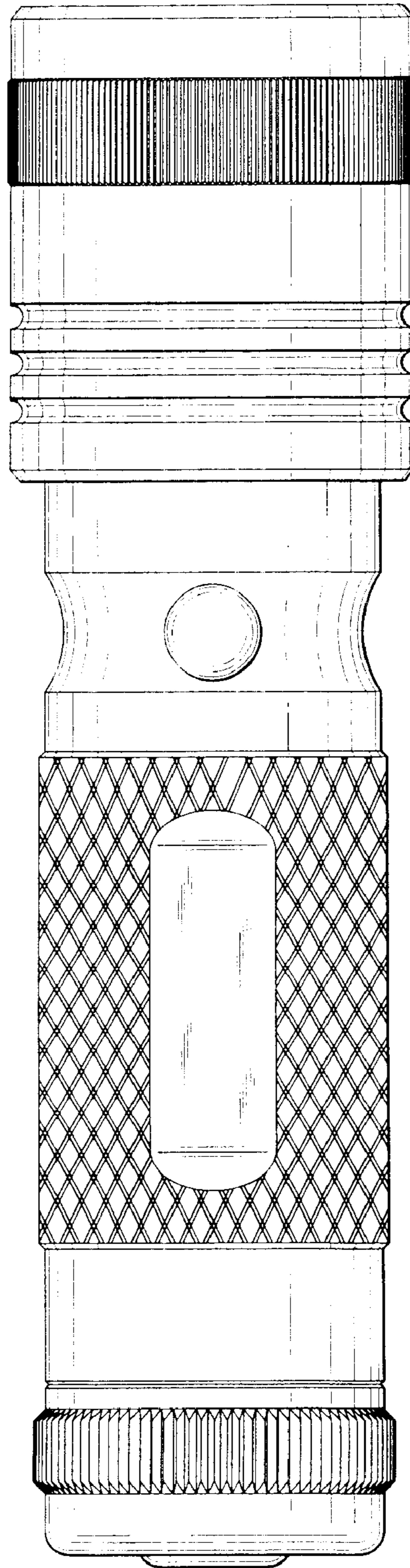




FIG.9

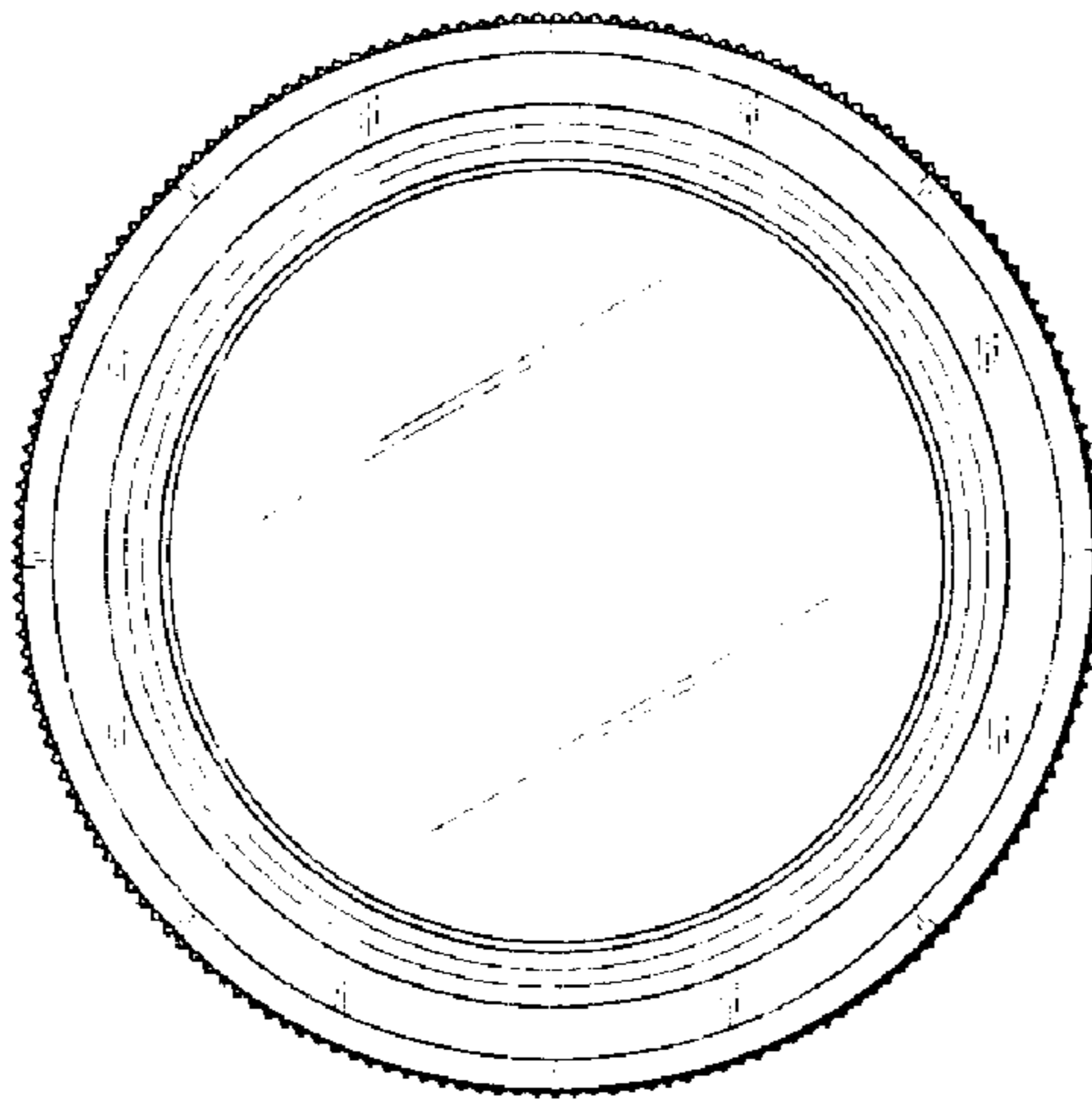


FIG.10

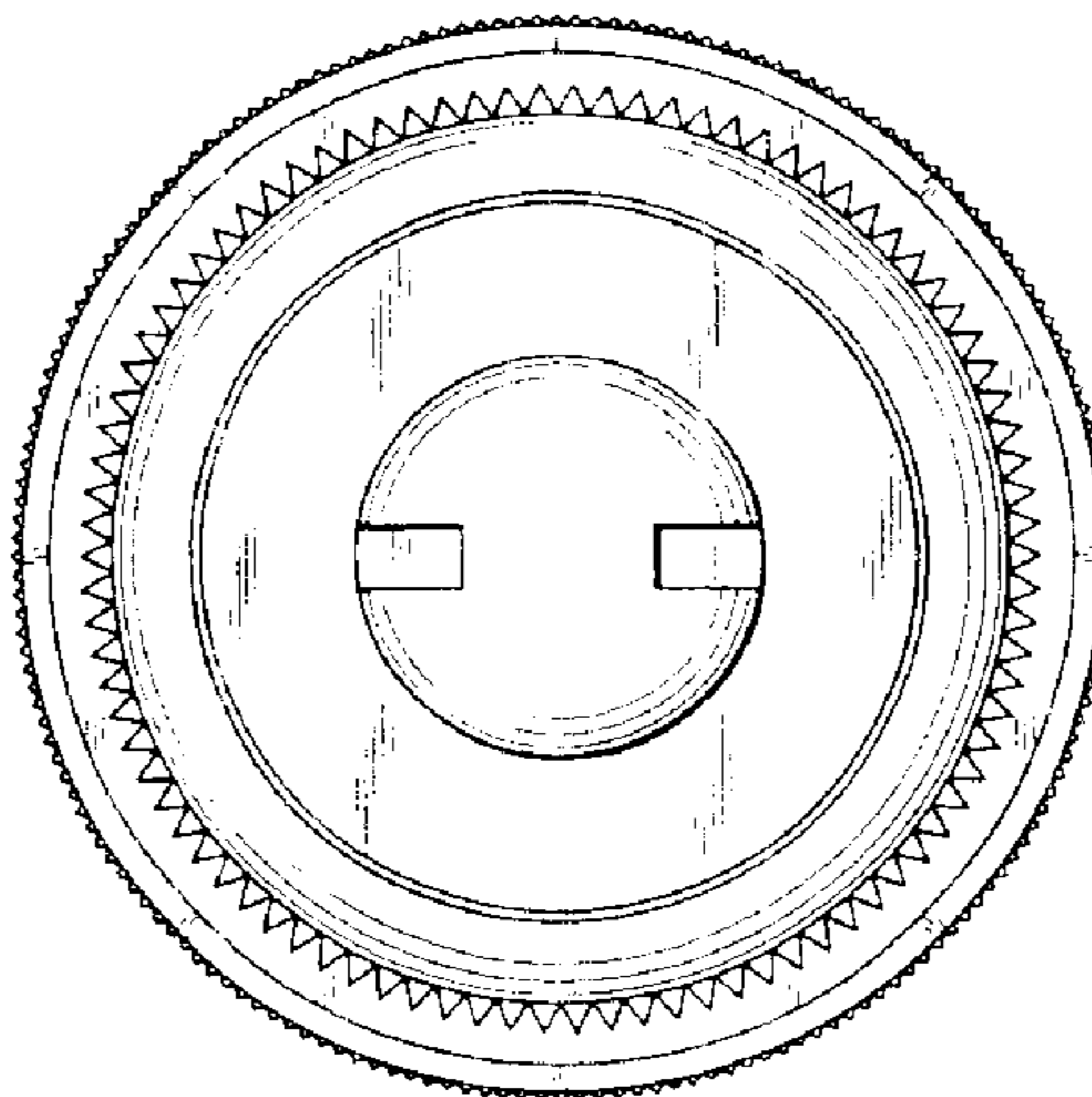


FIG. 11

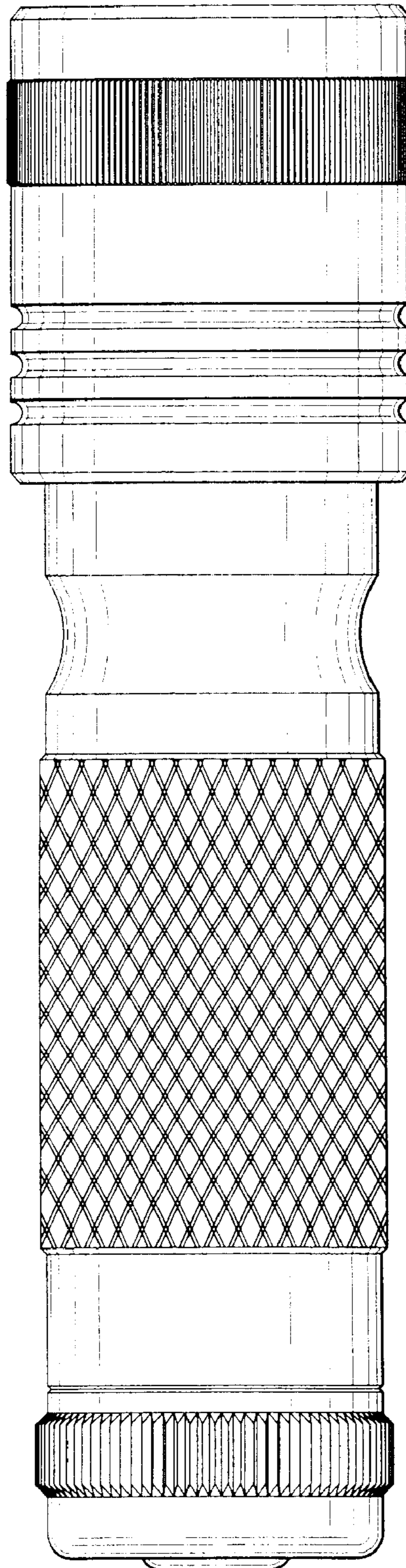


FIG.12

