

US00D521159S

(12) **United States Design Patent**
Hansort

(10) **Patent No.:** **US D521,159 S**

(45) **Date of Patent:** **** May 16, 2006**

(54) **PASS THROUGH CONCRETE ANCHOR**

(75) Inventor: **Rens Hansort**, Bellwood, IL (US)

(73) Assignee: **Universal Form Clamp Co., Inc.**,
Bellwood, IL (US)

(**) Term: **14 Years**

4,262,951 A	4/1981	Hoyer	
4,290,638 A	9/1981	Manning	
4,296,909 A	10/1981	Haeussler	
4,329,826 A	5/1982	Flogaus et al.	
4,367,892 A *	1/1983	Holt	294/89
4,368,914 A	1/1983	Truitt et al.	
4,383,674 A	5/1983	Fricker	

(Continued)

(21) Appl. No.: **29/228,294**

(22) Filed: **Apr. 21, 2005**

Related U.S. Application Data

(63) Continuation of application No. 10/368,799, filed on Feb. 19, 2003, now abandoned.

(51) **LOC (8) Cl.** **25-01**

(52) **U.S. Cl.** **D25/133; D8/354**

(58) **Field of Classification Search** D25/133;
294/89, 1.1; 52/125.2, 125.4, 125.5, 707,
52/155

See application file for complete search history.

(56) **References Cited**

U.S. PATENT DOCUMENTS

958,978 A	5/1910	Spencer
1,056,955 A	3/1913	Stamm
1,123,107 A	12/1914	Darr
1,970,860 A	8/1934	Lowell
1,984,211 A	12/1934	Haase
2,163,446 A	6/1939	Heckman
2,772,560 A	12/1956	Neptune
2,886,370 A	5/1959	Liebert
2,984,195 A	5/1961	Duncan
3,297,293 A	1/1967	Andrews et al.
3,499,676 A	3/1970	Haeussler
3,652,118 A	3/1972	Goldberg
3,861,106 A	1/1975	Erhart
3,883,170 A	5/1975	Fricker et al.
3,998,487 A	12/1976	Biondo
4,000,591 A	1/1977	Courtois
4,087,947 A	5/1978	Turner
4,173,367 A	11/1979	Haeussler
4,173,856 A	11/1979	Fricker

FOREIGN PATENT DOCUMENTS

DE	1 684 278	6/1967
DE	1 800 807	10/1968
DE	2 223 519	5/1972
DE	2 610 195	3/1976
DE	3 515 894	11/1986
EP	0 568 934 A2	4/1993
EP	0 634 531 A1	4/1994
FR	2 586 442	8/1985
GB	408235	9/1932

OTHER PUBLICATIONS

Dayton Superior, Precast–Prestressed Concrete Handbook, 1986, 6 pages.

Dayton Superior, Tilt–up Construction Handbook, 1990, 10 pages.

Primary Examiner—Holly H. Baynham

(74) *Attorney, Agent, or Firm*—Jeffrey D. Peterson; Michael Best & Friedrich LLP

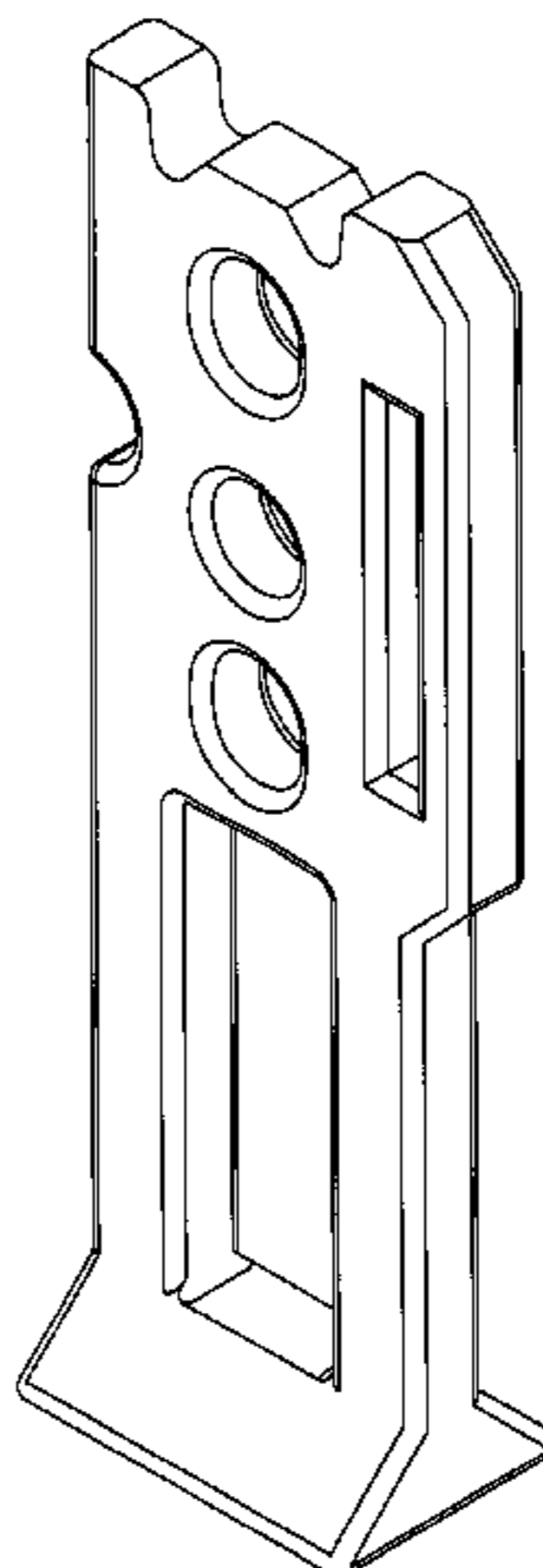
(57) **CLAIM**

The ornamental design for a pass through concrete anchor, as shown and described.

DESCRIPTION

FIG. 1 is a top view of the concrete anchor.
FIG. 2 is a side view of the concrete anchor; and,
FIG. 3 is a perspective view of the concrete anchor.
The present application is directed to the design illustrated in the drawings. The broken line portions of the disclosure are for illustrative purposes only and form no part of the claimed design.

1 Claim, 2 Drawing Sheets



US D521,159 S

U.S. PATENT DOCUMENTS

4,386,486 A	6/1983	Holt et al.	5,469,675 A	11/1995	Arteon
4,398,762 A	8/1983	Haeussler et al.	5,535,979 A	7/1996	Ellis-Callow
D272,517 S	2/1984	Koehn	D374,394 S	10/1996	Lynch et al.
4,437,642 A	3/1984	Holt	5,588,263 A	12/1996	Kelly et al.
4,466,569 A	8/1984	Taylor	5,596,846 A	1/1997	Kelly
4,538,850 A	9/1985	De Vito	5,651,911 A	7/1997	Pennypacker
4,580,378 A	4/1986	Kelly et al.	D389,251 S	1/1998	Kelly
4,603,522 A	8/1986	Johnson	D392,752 S	3/1998	Kelly et al.
4,615,554 A	10/1986	Schilla et al.	5,809,703 A	9/1998	Kelly
4,627,198 A	12/1986	Francies, III	5,852,907 A	12/1998	Tobin et al.
4,634,326 A	1/1987	Fischer	5,857,296 A	1/1999	Niday et al.
4,655,015 A	4/1987	Hoyer	5,884,438 A	3/1999	Westhoff et al.
4,671,554 A	6/1987	Lancelot	5,987,830 A	11/1999	Worley
4,702,045 A	10/1987	Fricker	D422,894 S	4/2000	Kubica
4,703,595 A	11/1987	Zipf et al.	6,082,700 A	7/2000	Lancelot, III et al.
4,713,856 A	12/1987	Clausen	6,092,849 A	7/2000	Zambelli et al.
4,726,562 A	2/1988	Courtois et al.	6,119,431 A	9/2000	Wakai
4,769,960 A	9/1988	Zipf et al.	6,131,976 A	10/2000	Silva
4,807,843 A	2/1989	Courtois et al.	D437,063 S	1/2001	Lancelot, III et al.
4,821,994 A	4/1989	Fricker	D438,649 S	3/2001	Lancelot, III et al.
4,869,042 A	9/1989	Fricker	D438,991 S	3/2001	Lancelot, III et al.
4,930,269 A	6/1990	Kelly et al.	6,233,883 B1	5/2001	Artdon
4,947,613 A	8/1990	Fricker	6,260,900 B1 *	7/2001	Scott 294/89
5,004,208 A	4/1991	Domizio	6,341,452 B1	1/2002	Bollinghaus
5,014,473 A	5/1991	Kelly et al.	6,343,444 B1	2/2002	Minami
5,042,219 A	8/1991	Fricker	6,460,824 B1	10/2002	Lancelot, III et al.
5,094,047 A	3/1992	Kelly et al.	6,550,834 B1	4/2003	Fromelius
5,155,954 A	10/1992	Roire	6,581,996 B1	6/2003	Fromelius
5,177,928 A *	1/1993	Fricker 52/707	6,647,674 B1	11/2003	Lancelot, III et al.
5,226,265 A	7/1993	Kelly et al.	6,694,680 B1	2/2004	Zambelli et al.
D344,836 S	3/1994	Huffman	6,729,079 B1	5/2004	Francies, III et al.
5,396,743 A	3/1995	Bellette	2003/0213206 A1	11/2003	Hansort
5,431,368 A	7/1995	Wilde			

* cited by examiner

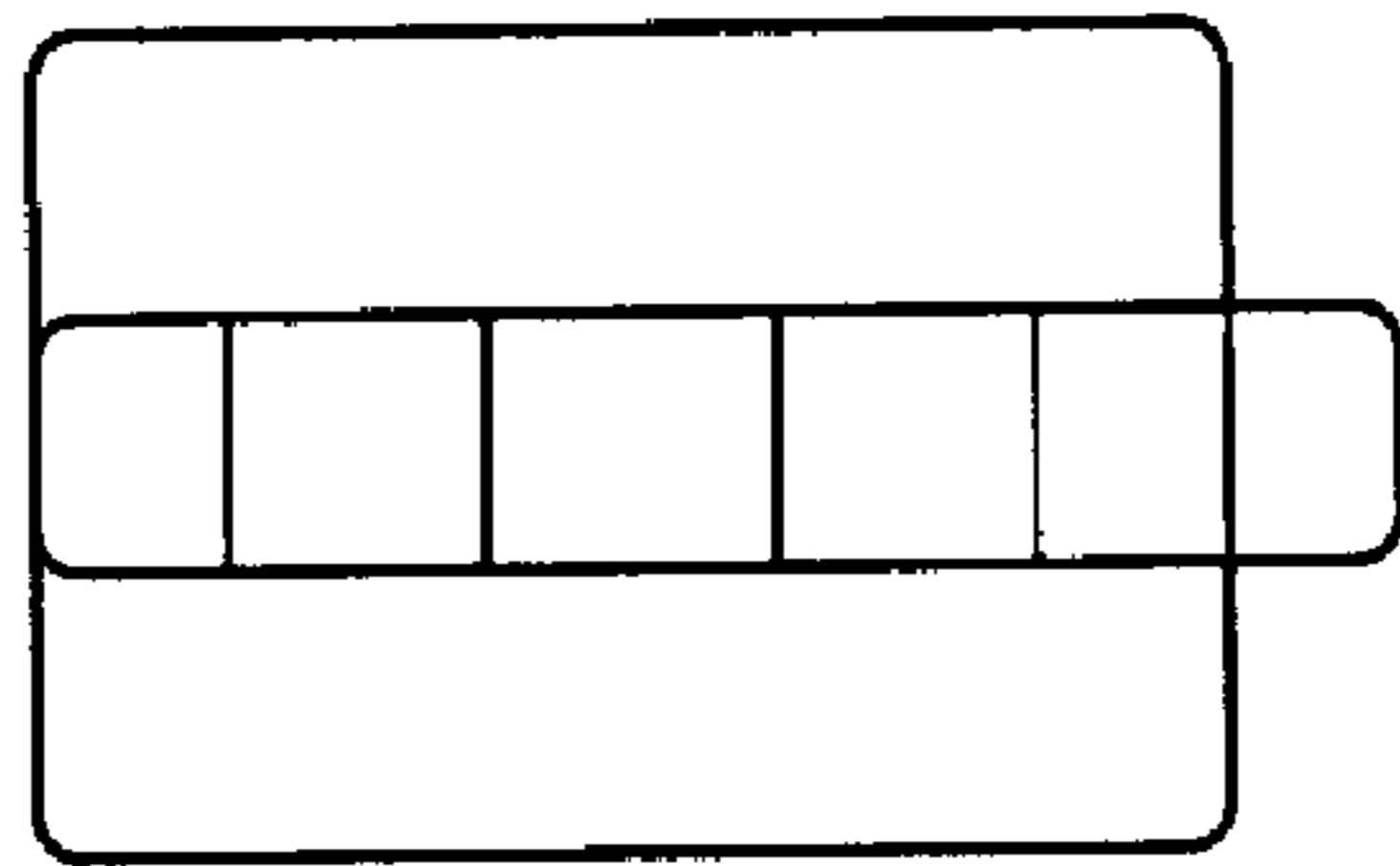


FIG. 1

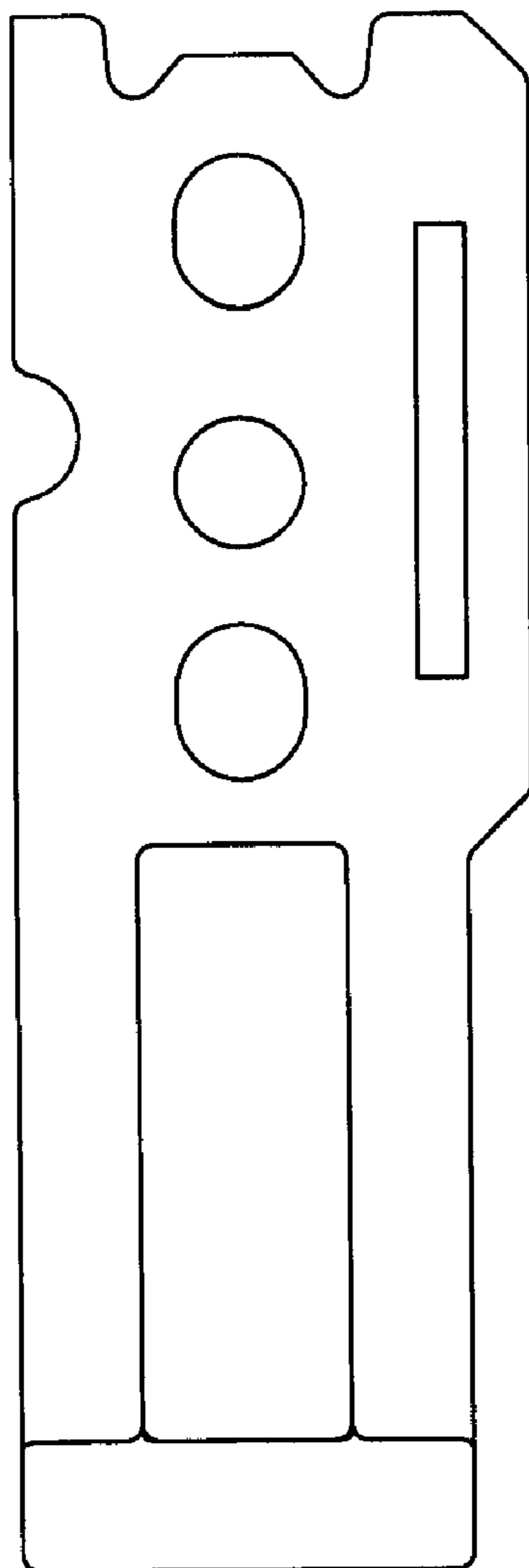


FIG. 2

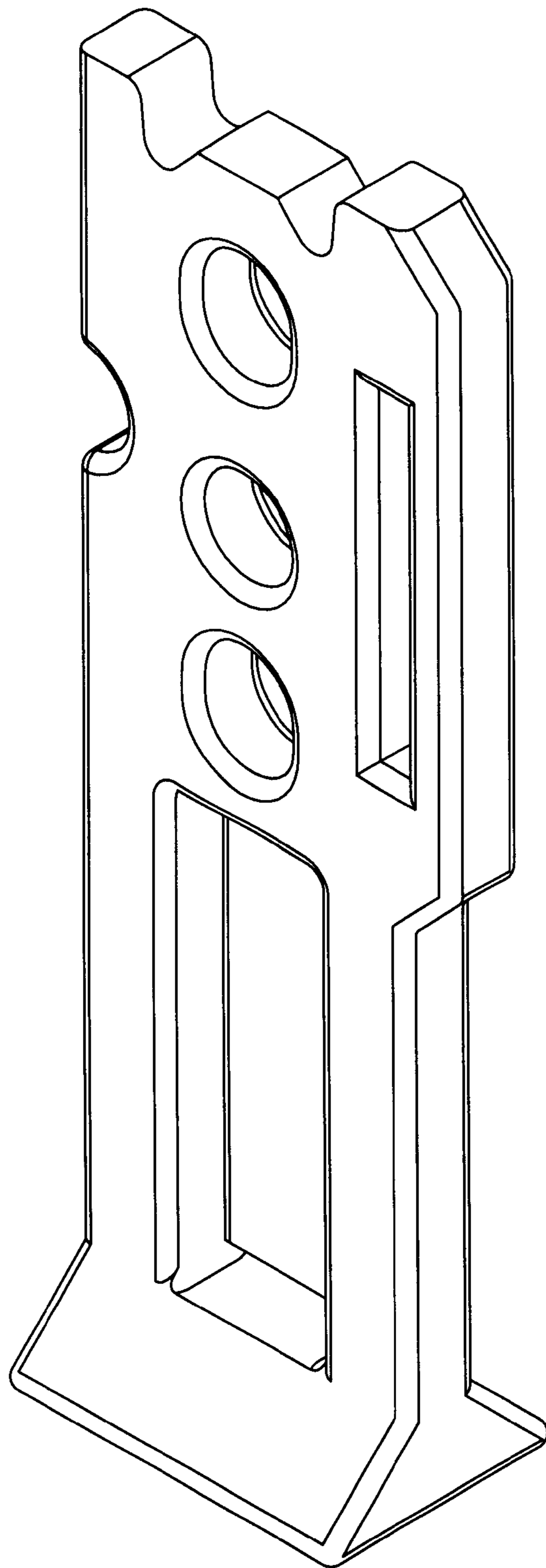


FIG. 3