

US00D521153S

(12) **United States Design Patent**
Loyd

(10) **Patent No.:** **US D521,153 S**

(45) **Date of Patent:** **** May 16, 2006**

(54) **SPA**

6,112,341 A * 9/2000 Moreland 4/541.1
D496,107 S * 9/2004 Larsen D24/204

(76) Inventor: **Casey Loyd**, 1462 E. 9th St., Pomona,
CA (US) 91766

OTHER PUBLICATIONS

(**) Term: **14 Years**

Publication entitled "Baja Spa History", dated Apr. 12, 2000.
KONA Commercial Spa drawings (dated Oct. 31, 1994).
Advertising flyer for Area Spa (date unknown).
Advertising flyer for Oasis Spa (dated Mar. 1995).

(21) Appl. No.: **29/218,624**

* cited by examiner

(22) Filed: **Dec. 3, 2004**

(51) **LOC (8) Cl.** **24-04**

Primary Examiner—Ian Simmons

(52) **U.S. Cl.** **D24/204**

Assistant Examiner—Melanie Levy

(58) **Field of Classification Search** D24/201,
D24/204, 205; D23/277; 601/154–158; 4/541.1–541.6,
4/547, 578.1, 579

(74) *Attorney, Agent, or Firm*—Denton L. Anderson;
Sheldon & Mak

See application file for complete search history.

(57) **CLAIM**

The ornamental design for a spa, as as shown and described.

(56) **References Cited**

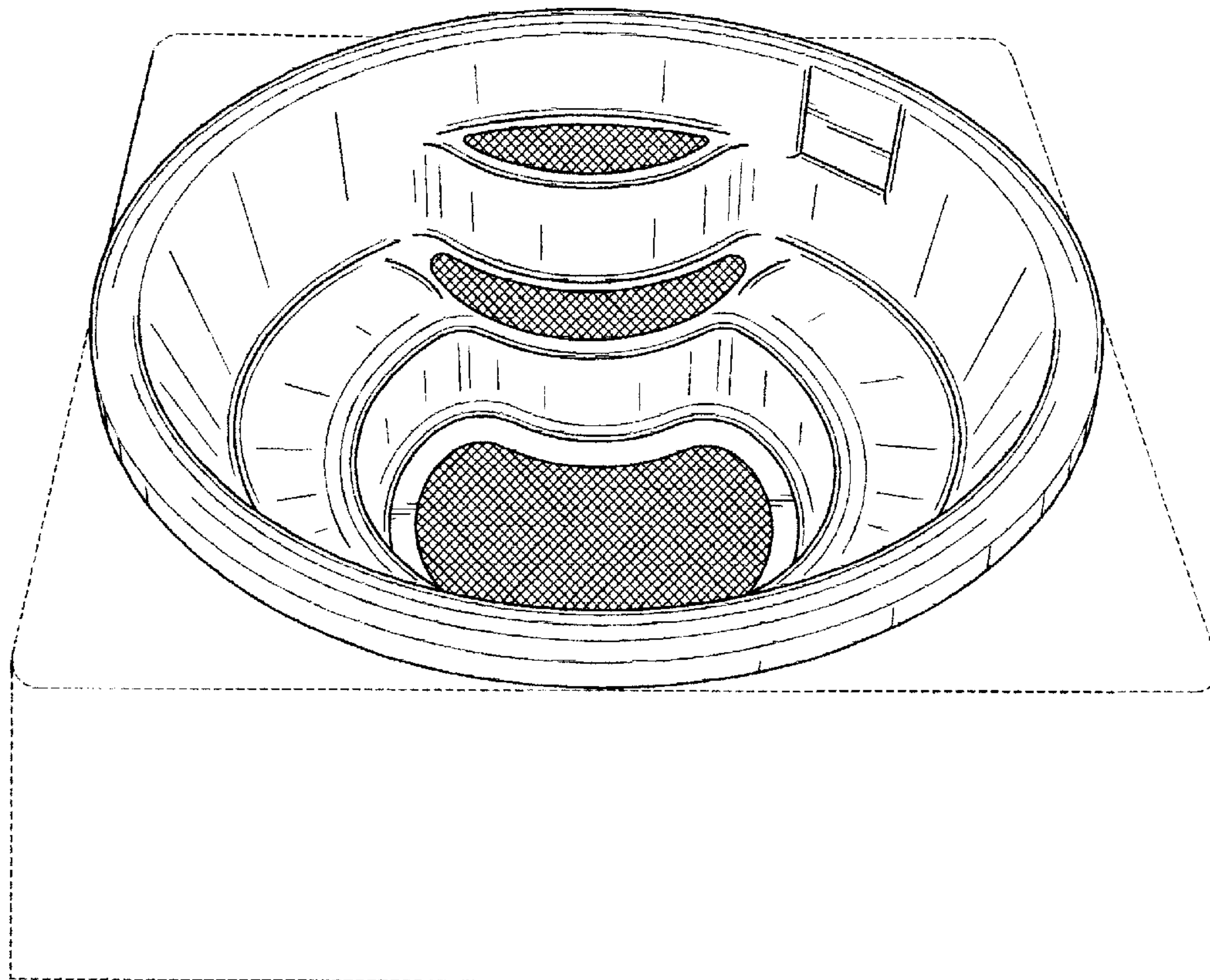
DESCRIPTION

U.S. PATENT DOCUMENTS

D254,447 S	*	3/1980	Reineman	D24/204
D254,988 S	*	5/1980	Jones et al.	D24/204
4,233,694 A	*	11/1980	Janosko et al.	4/541.3
D258,610 S	*	3/1981	Tulipani	D24/204
D265,345 S	*	7/1982	Doman	D24/204
D267,043 S	*	11/1982	Kingsley et al.	D24/204
D300,661 S	*	4/1989	Dowse	D24/204
D387,870 S	*	12/1997	Larsen	D24/204
D393,056 S	*	3/1998	Kolada	D24/204

FIG. 1 is a front perspective view of a spa showing our new design. The broken line showing is for illustrative purposes only and forms no part of the claimed design;
FIG. 2 is a top and right side perspective view thereof;
FIG. 3 is a top plan view thereof; and,
FIG. 4 is a front, rear, right and left side elevational view thereof.

1 Claim, 4 Drawing Sheets



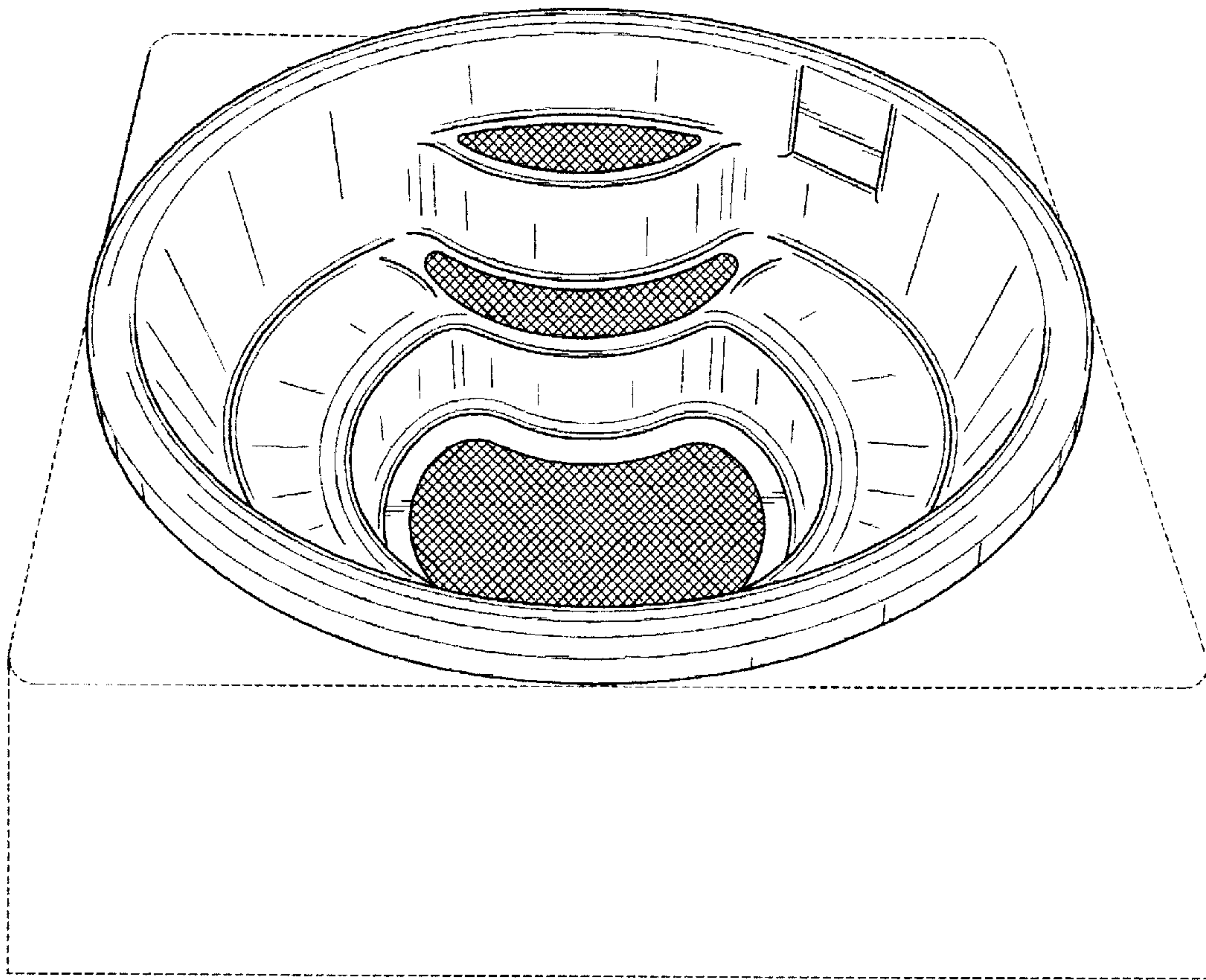


FIG. 1

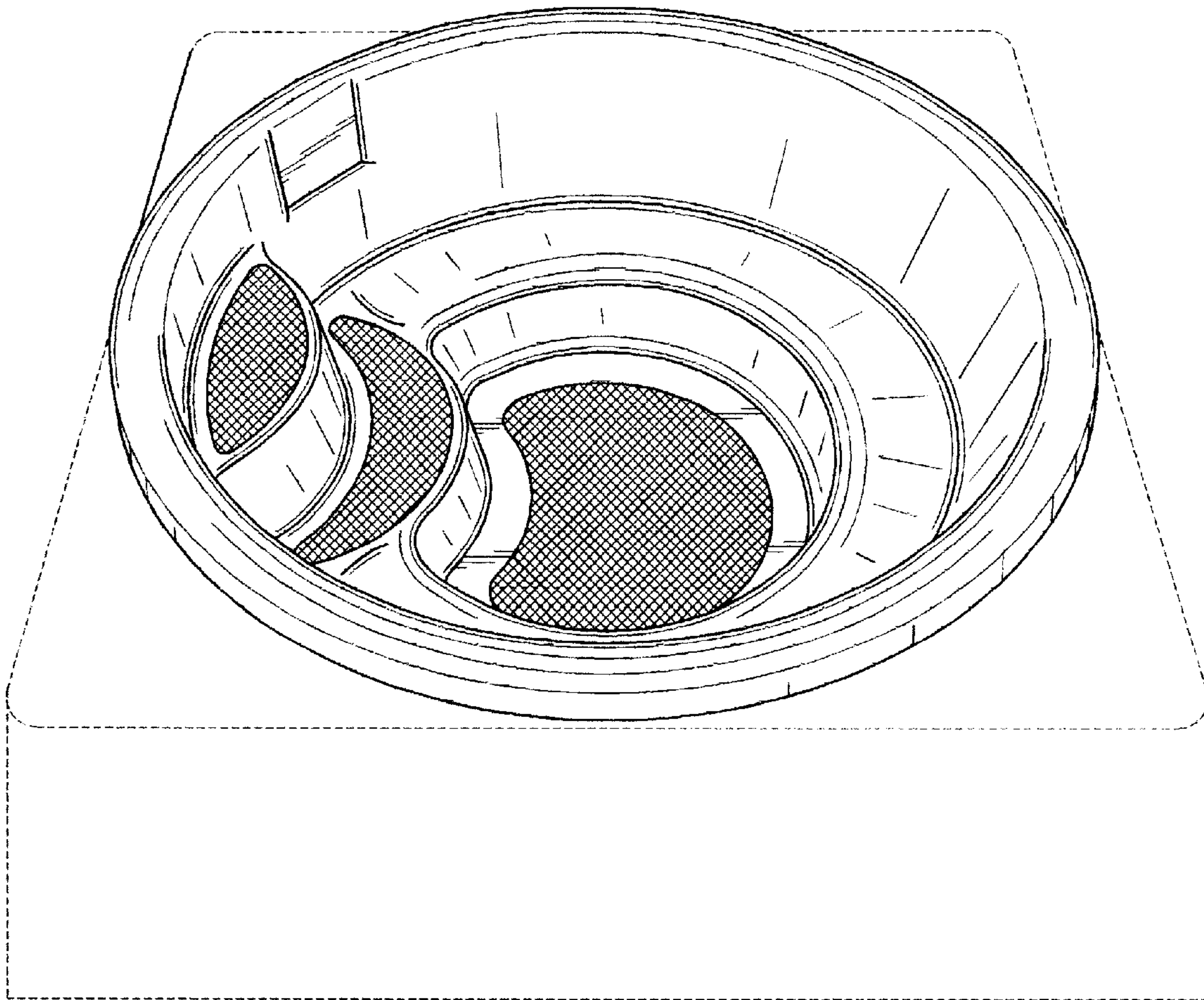


FIG. 2

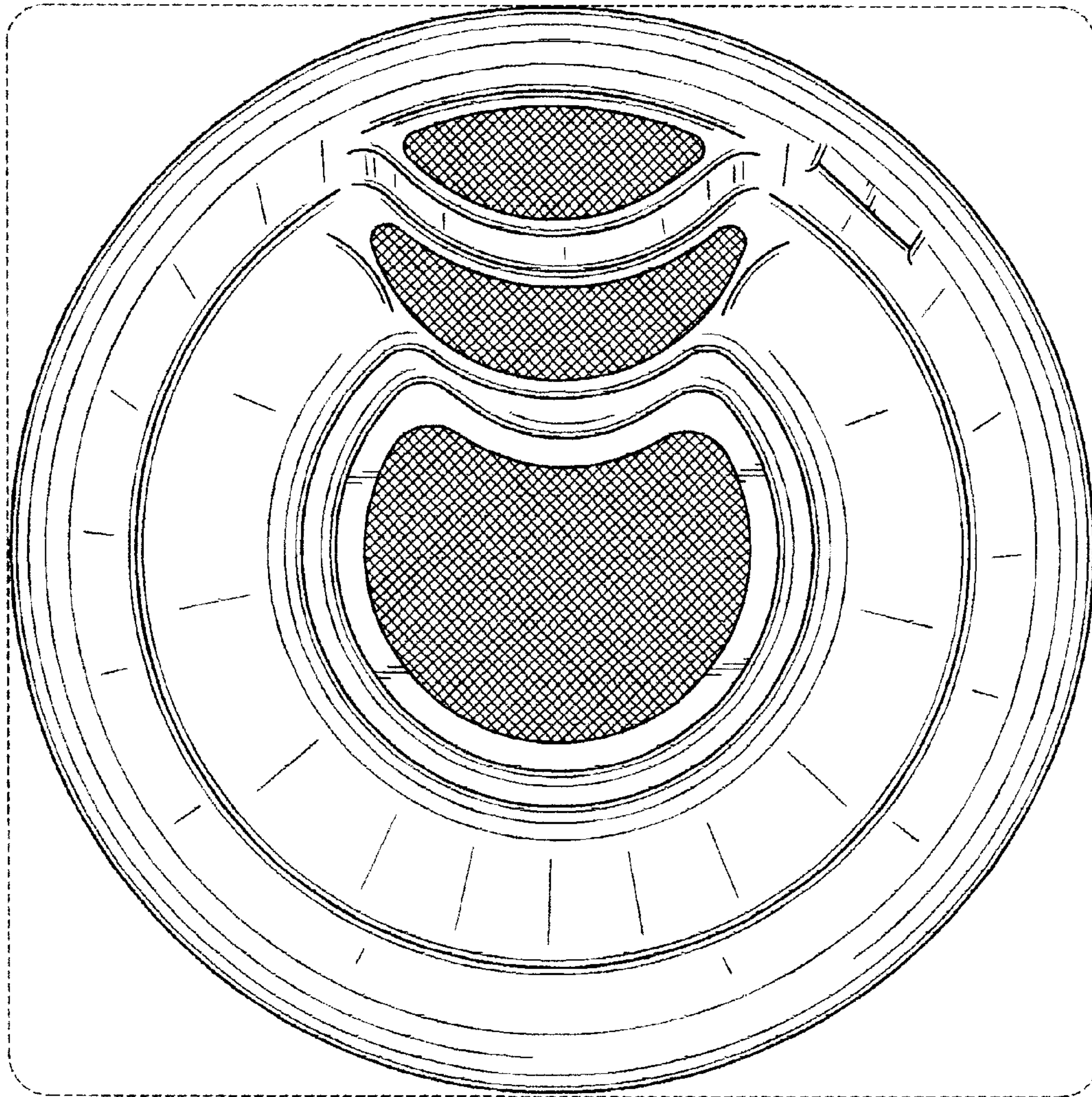


FIG. 3

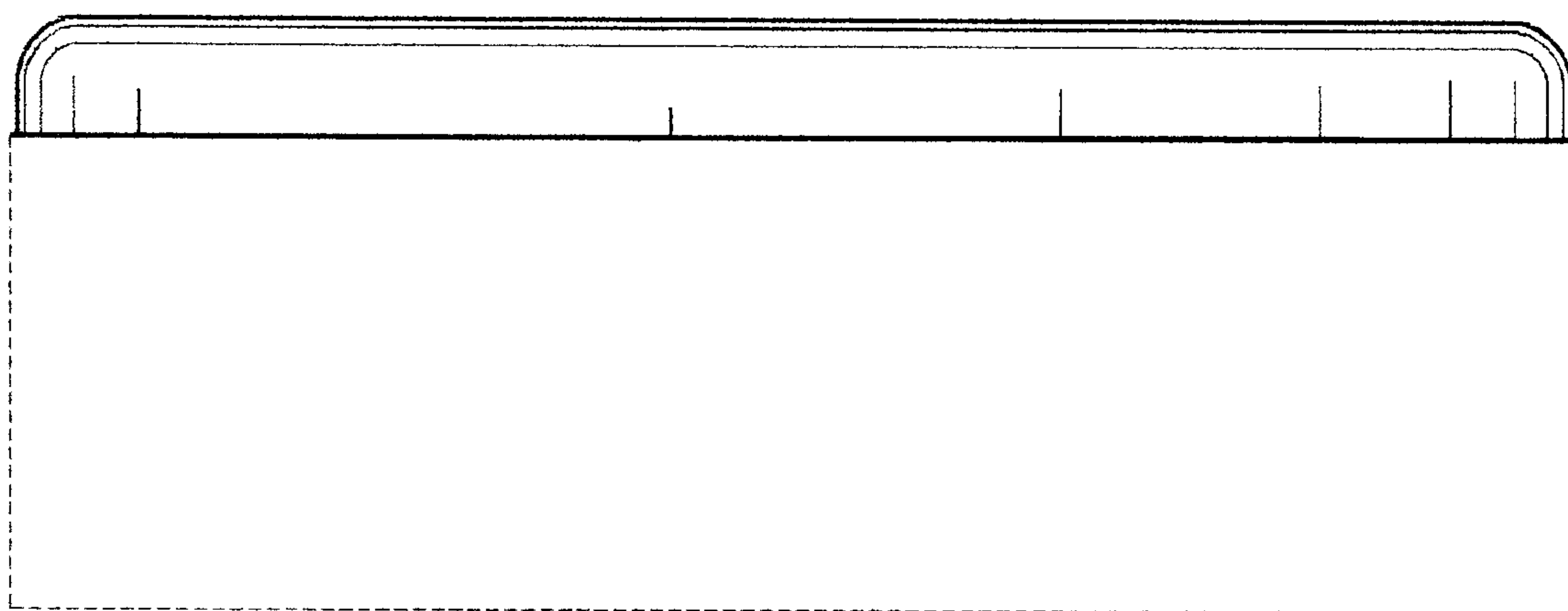


FIG. 4