



US00D521147S

(12) **United States Design Patent** (10) **Patent No.:** **US D521,147 S**
Sandman et al. (45) **Date of Patent:** **** May 16, 2006**

(54) **PORTION OF DUCTWORK**

FOREIGN PATENT DOCUMENTS

(75) Inventors: **Michael N. Sandman**, Morrow, OH (US); **Joseph P. Sandman**, Morrow, OH (US)
(73) Assignee: **Langdon Incorporated**, Cincinnati, OH (US)
(**) Term: **14 Years**

GB	317678	8/1929
GB	442751	2/1936
SE	13987	7/1973
SE	19819	6/1975
SE	17788	12/1975
SE	382675	2/1976
SE	25473	3/1979
SE	25610	8/1979
SE	26059	11/1979
SE	26995	11/1979

(21) Appl. No.: **29/226,157**
(22) Filed: **Mar. 24, 2005**

Primary Examiner—Catherine R. Oliver
(74) *Attorney, Agent, or Firm*—Wood, Herron & Evans, LLP

(51) **LOC (8) Cl.** **23-04**
(52) **U.S. Cl.** **D23/393**
(58) **Field of Classification Search** D23/393, D23/259, 262–263, 386–391; 138/111–117, 138/DIG. 4, DIG. 11, 177; 285/47, 123.15, 285/123.16, 110, 374, 347, 232–234, 123.1, 285/123.3–123.7, 123.9, 122.1, 125.1, 129.1, 285/129.2, 131.1, 132.1, 133.11, 133.3
See application file for complete search history.

(57) **CLAIM**

The ornamental design for a portion of ductwork, as shown and described.

DESCRIPTION

FIG. 1 is a perspective view of a portion of ductwork incorporating the design of our new invention according to a first embodiment;
FIG. 2 is a side view of the portion of ductwork of FIG. 1, the top, bottom and other side views thereof being identical;
FIG. 3 is a front view of the portion of ductwork of FIG. 1;
FIG. 4 is a rear view of the portion of ductwork of FIG. 1;
FIG. 5 is a cross-sectional view taken along line 5—5 of FIG. 4;
FIG. 6 is a perspective view of a portion of ductwork incorporating the design of our invention according to a second embodiment;
FIG. 7 is a side view of the portion of ductwork of FIG. 6, the top, bottom and other side views being identical;
FIG. 8 is a front view of the portion of ductwork of FIG. 6;
FIG. 9 is a rear view of the portion of ductwork of FIG. 6; and,
FIG. 10 is a cross-sectional view taken along line 10—10 of FIG. 9.
The features of the portion of ductwork shown in phantom lines are not elements of the design of our new invention.

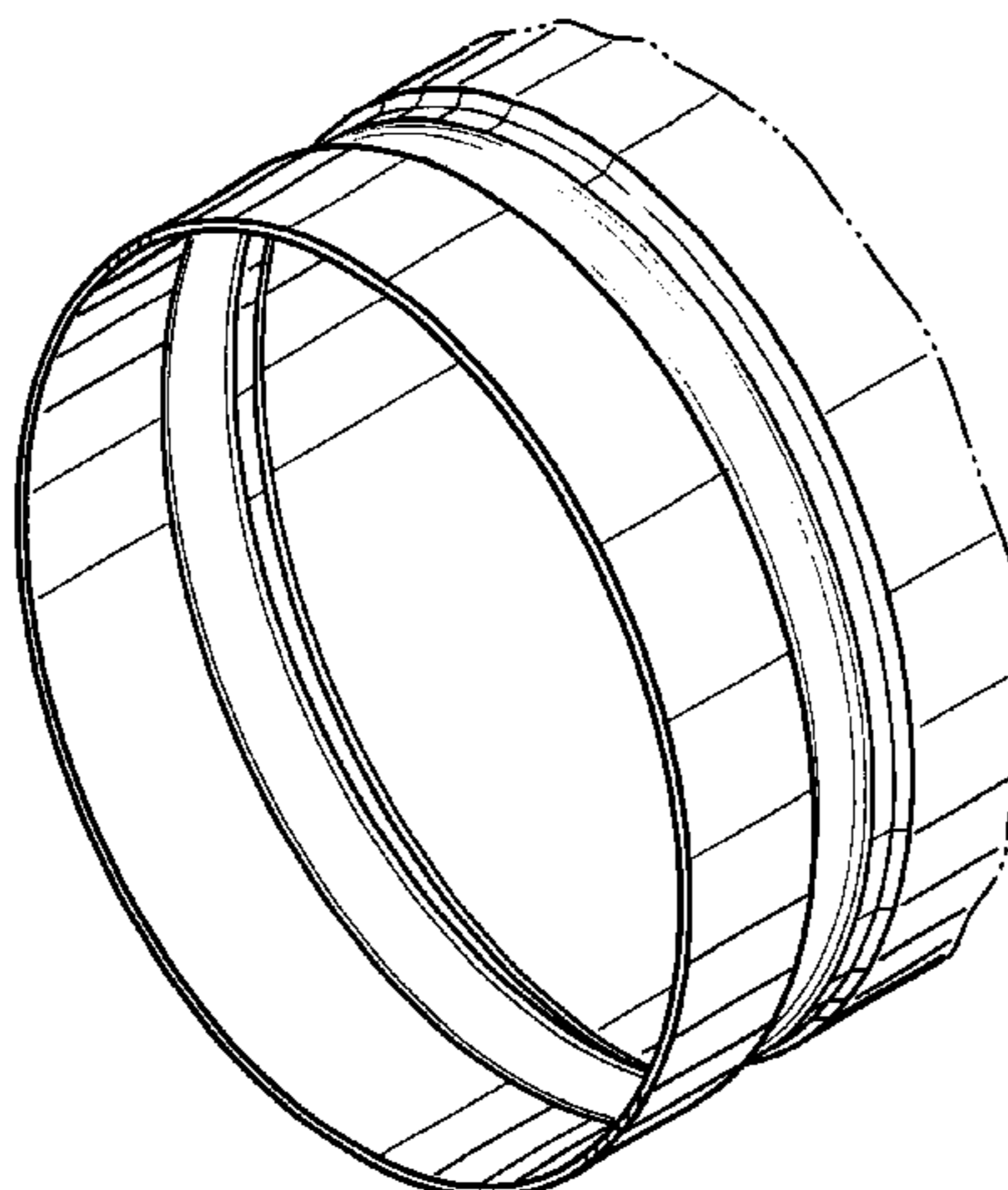
(56) **References Cited**

U.S. PATENT DOCUMENTS

193,847 A	8/1877	Choate	285/183
210,367 A	11/1878	Stern et al.	285/181
244,720 A	7/1881	Hildebrandt	285/181
409,631 A	8/1889	Cooper	285/183
735,644 A	8/1903	Wirtz	285/419
904,199 A	11/1908	Harris	285/382
910,119 A	1/1909	Dunn et al.	285/183
997,072 A	7/1911	Mares	285/183
1,083,002 A	12/1913	Charls	285/411
2,392,220 A	1/1946	Bruhn et al.	285/182
2,482,558 A	9/1949	Scaringella	285/211
2,535,186 A	12/1950	Anderson	285/185
2,818,084 A	12/1957	Tennison, Jr.	285/181
2,823,703 A	2/1958	Nusser, Jr.	138/52
3,081,102 A	3/1963	Murray et al.	277/168
3,111,922 A	11/1963	Hock	113/116
3,290,066 A	12/1966	Primich et al.	285/183

(Continued)

1 Claim, 4 Drawing Sheets



US D521,147 S

Page 2

U.S. PATENT DOCUMENTS

3,327,945 A	6/1967	Pfister	236/45	D386,246 S	11/1997	Sonden et al.	D23/262
3,368,830 A	2/1968	French	285/110	D427,667 S	7/2000	Stout, Jr.	D23/262
3,829,107 A	8/1974	Machado et al.	277/207	D427,668 S	7/2000	Stout, Jr.	D23/262
D234,462 S	3/1975	Ahirot	D23/262	D427,673 S	7/2000	Stout, Jr.	D23/393
3,955,834 A	5/1976	Ahlrot	285/110	D430,482 S	9/2000	Stout, Jr.	D8/382
4,007,941 A	2/1977	Stancati	277/178	D435,090 S	12/2000	Stout, Jr.	D23/269
4,050,703 A	9/1977	Tuvelsson et al.	277/207 A	D437,034 S	1/2001	Stout, Jr.	D23/269
4,186,932 A	2/1980	Emhardt et al.	277/207 A	6,170,883 B1	1/2001	Mattsson et al.	285/110
4,288,111 A	9/1981	Feutz	285/183	D446,298 S	8/2001	Thurman	D23/393
4,368,894 A	1/1983	Parmann	277/166	D447,223 S	8/2001	Mattsson et al.	D23/269
4,379,559 A	4/1983	Bohman	277/207 A	D456,071 S	4/2002	Mattsson et al.	D23/393
4,602,793 A	7/1986	Andrick	277/207 A	6,431,609 B1	8/2002	Andersson	285/24
4,850,621 A	7/1989	Umehara	285/322	D466,652 S	12/2002	Thurman	D29/393
4,902,049 A	2/1990	Umehara	285/347	D475,130 S	5/2003	Stout, Jr.	D23/393
5,340,125 A	8/1994	Brown et al.	277/169	D475,447 S	6/2003	Stout, Jr.	D23/393
5,407,122 A	4/1995	Stefansson et al.	228/212	D475,448 S	6/2003	Stout, Jr.	D23/393
D360,018 S	7/1995	Sonden et al.	D23/262	D475,449 S	6/2003	Stout, Jr.	D23/393
D360,020 S	7/1995	Sonden et al.	D23/262	D475,778 S	6/2003	Stout, Jr.	D23/393
D360,021 S	7/1995	Sonden et al.	D23/262	D475,779 S	6/2003	Stout, Jr.	D23/393
D361,829 S	8/1995	Sonden et al.	D23/262	D475,780 S	6/2003	Stout, Jr.	D23/393
D362,299 S	9/1995	Sonden et al.	D23/262	D476,074 S	6/2003	Stout, Jr.	D23/393
D362,300 S	9/1995	Sonden et al.	D23/262	D501,547 S *	2/2005	Stout, Jr.	D23/393
5,531,460 A	7/1996	Stefansson et al.	277/206 R	D501,548 S *	2/2005	Stout, Jr.	D23/393
D377,829 S	2/1997	Andresen	D23/393	D504,503 S *	4/2005	Thurman	D23/393
D383,195 S	9/1997	Sonden et al.	D23/262				

* cited by examiner

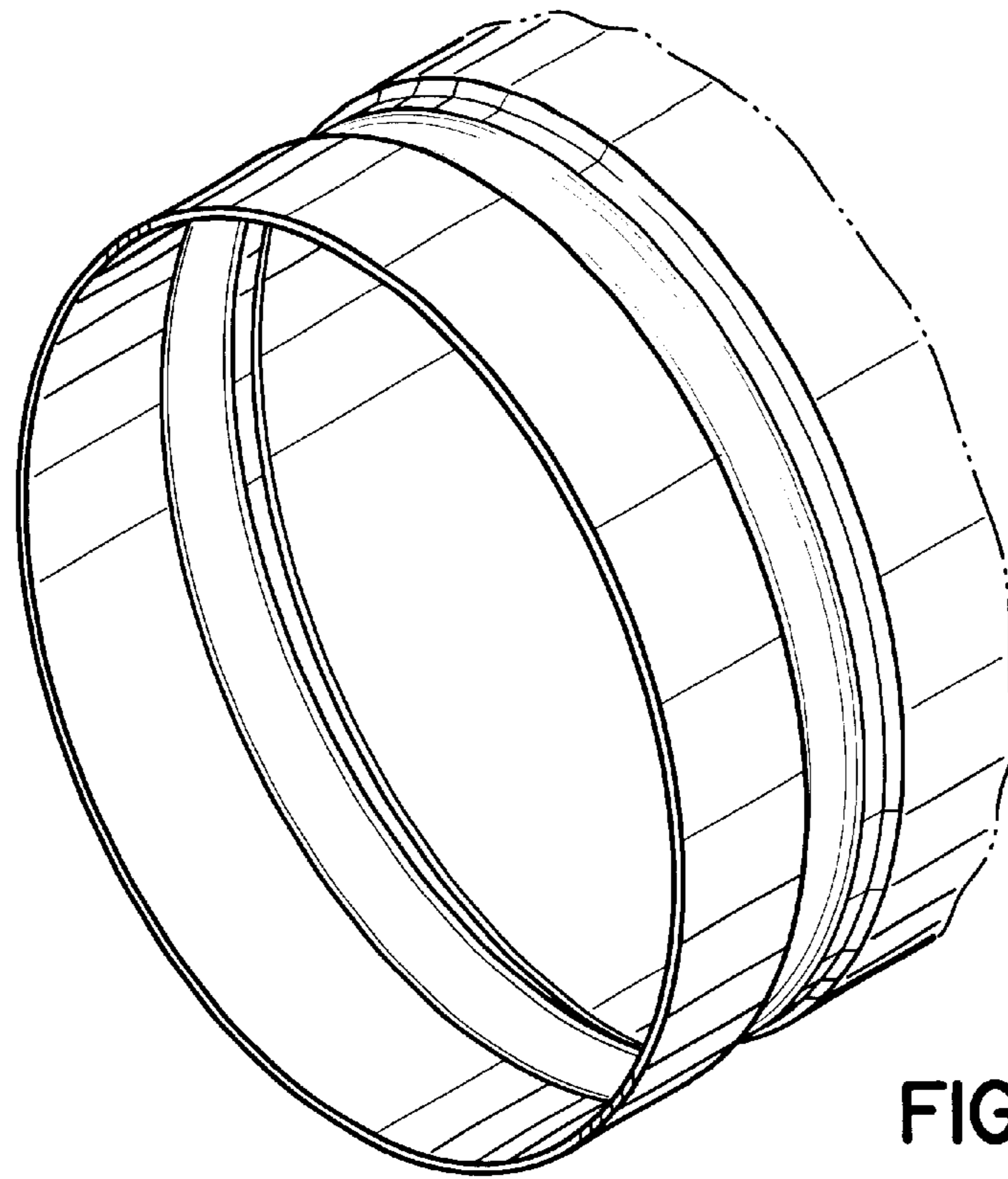


FIG. 1

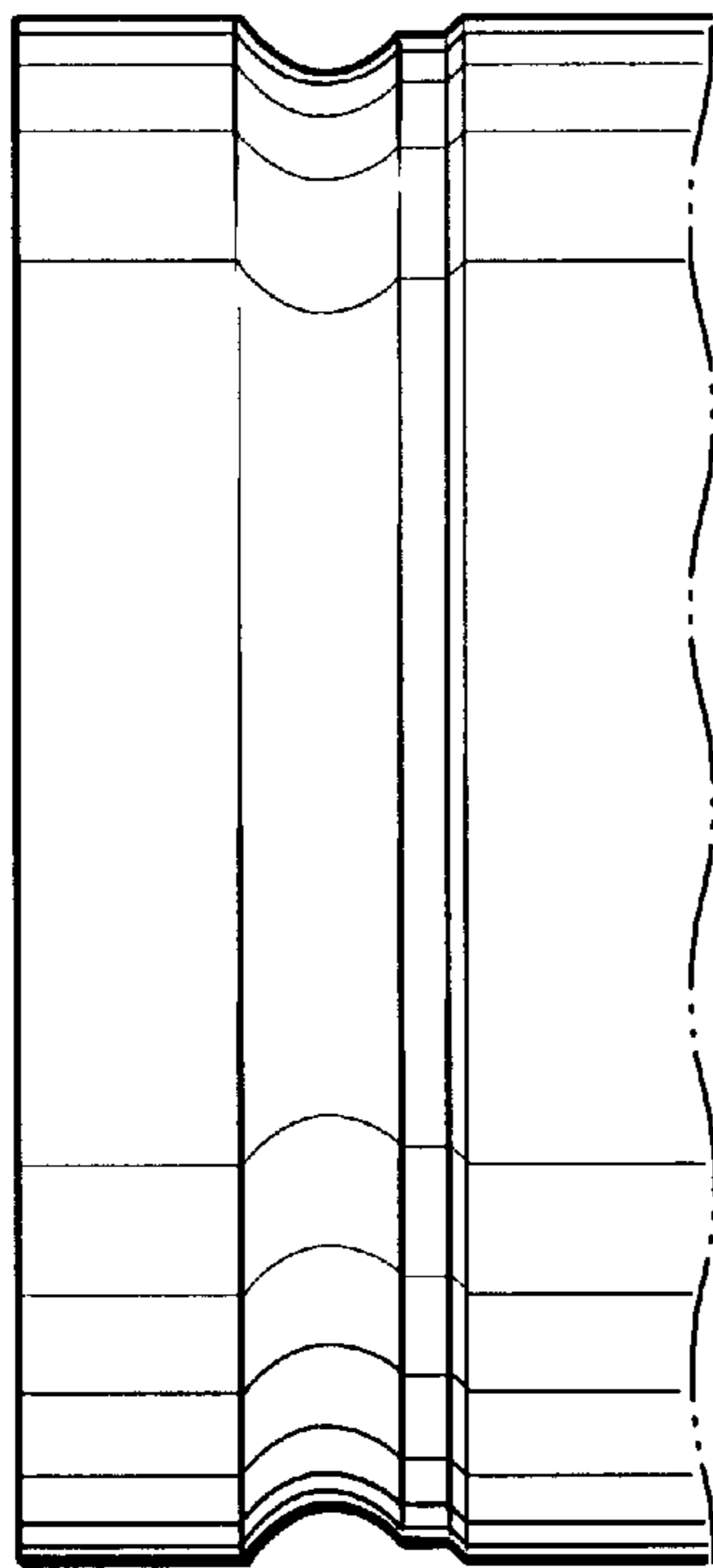


FIG. 2

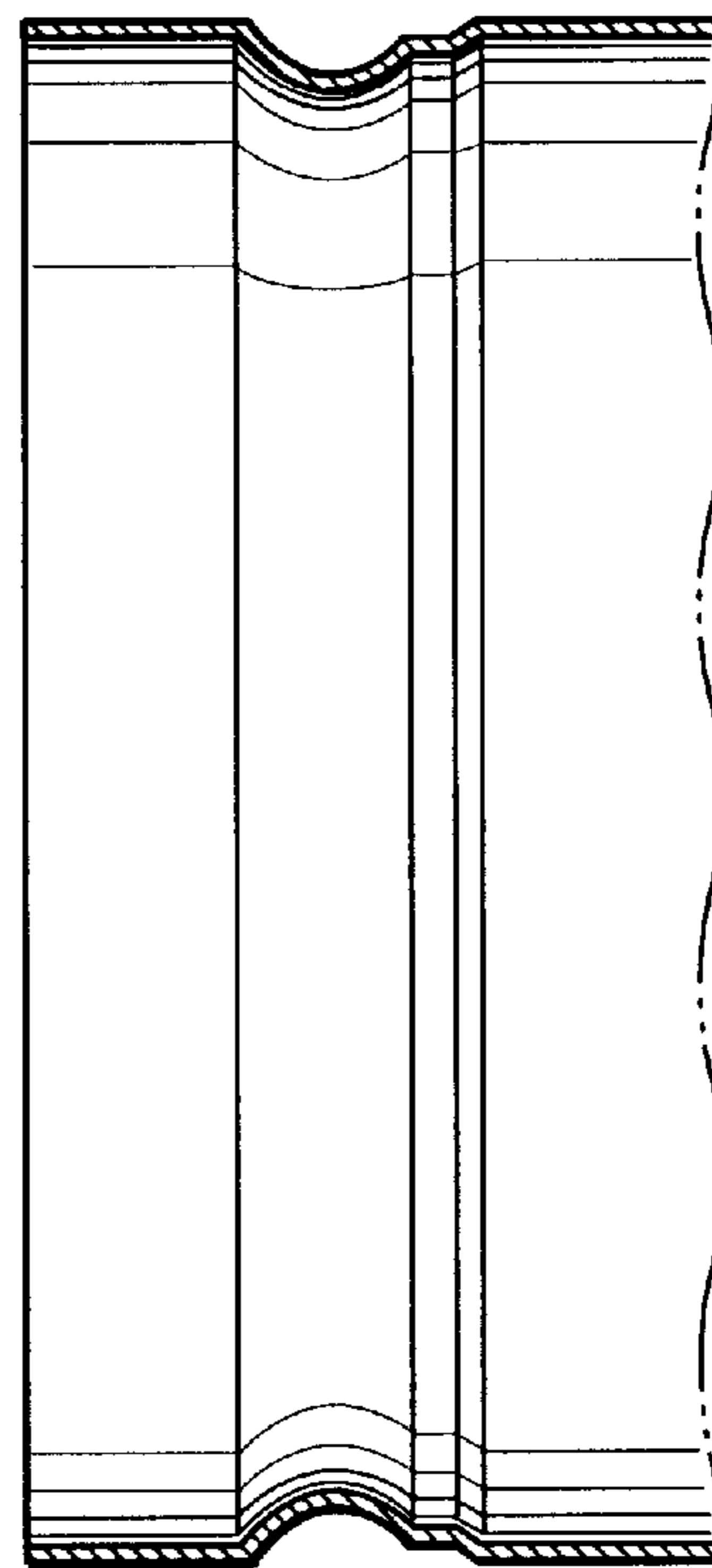


FIG. 5

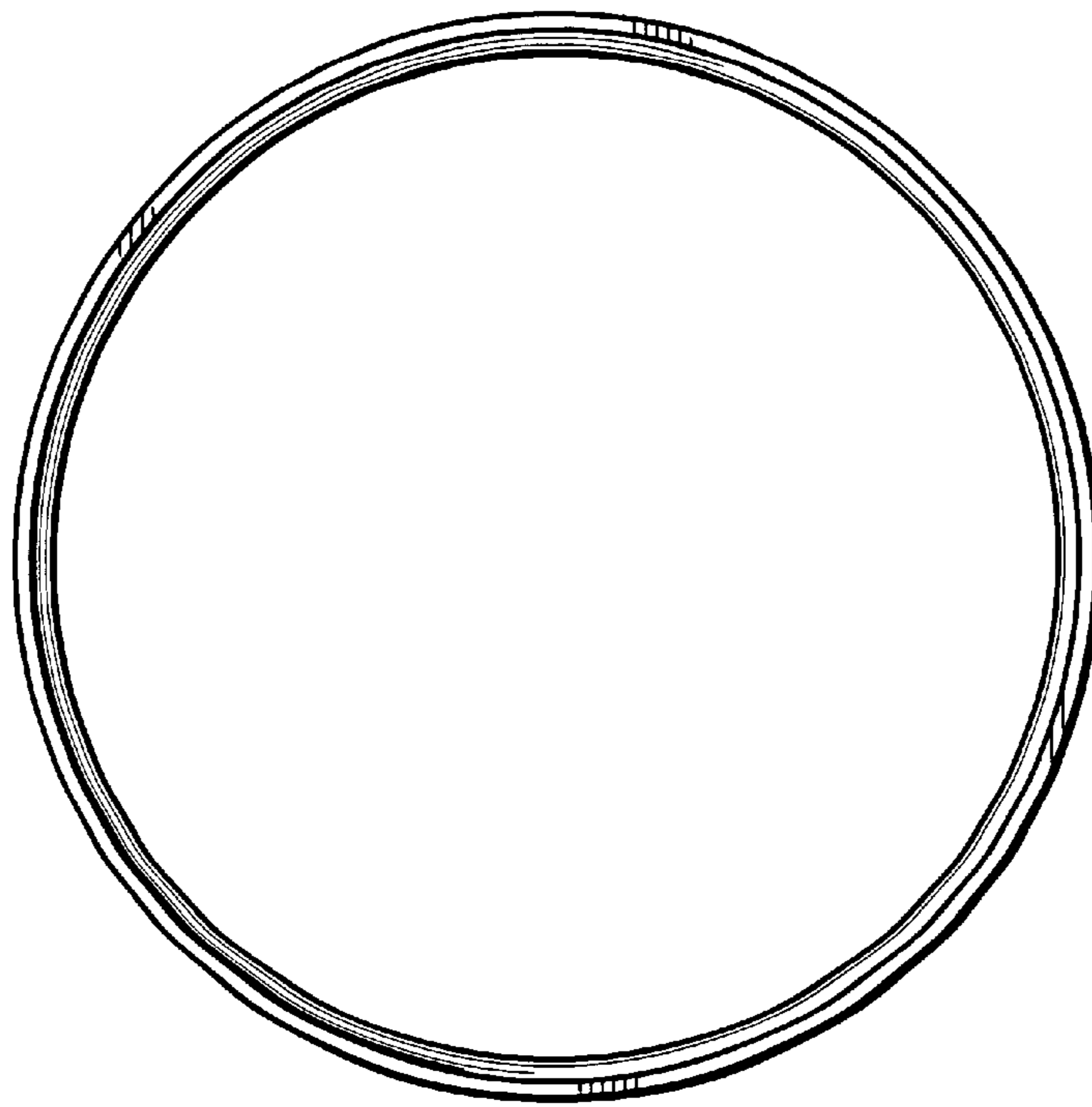


FIG. 3

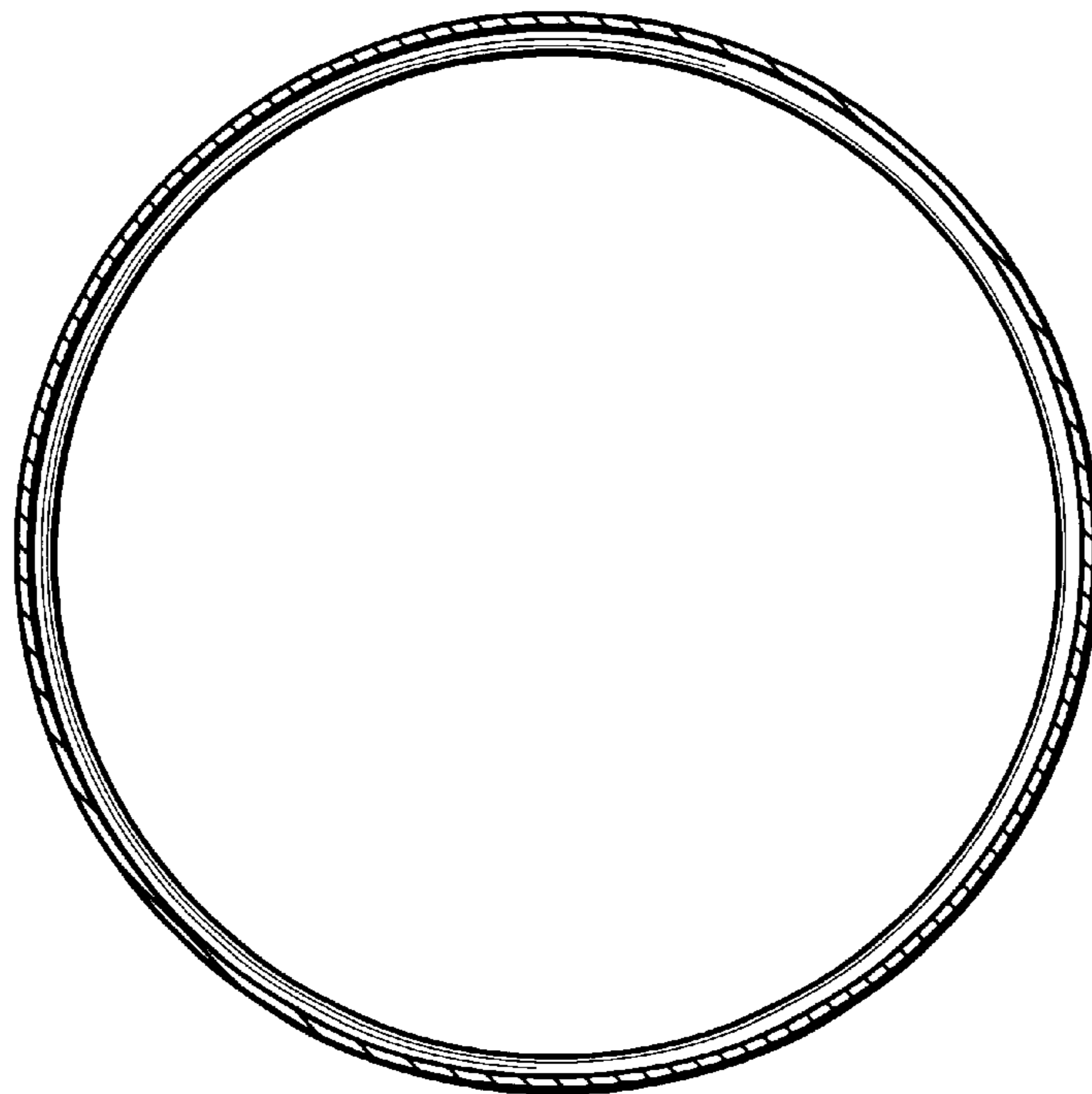
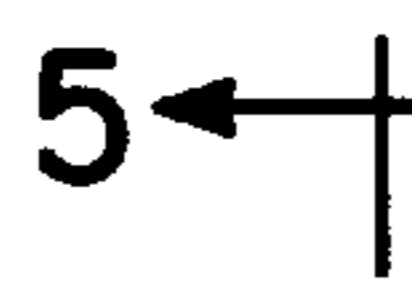


FIG. 4

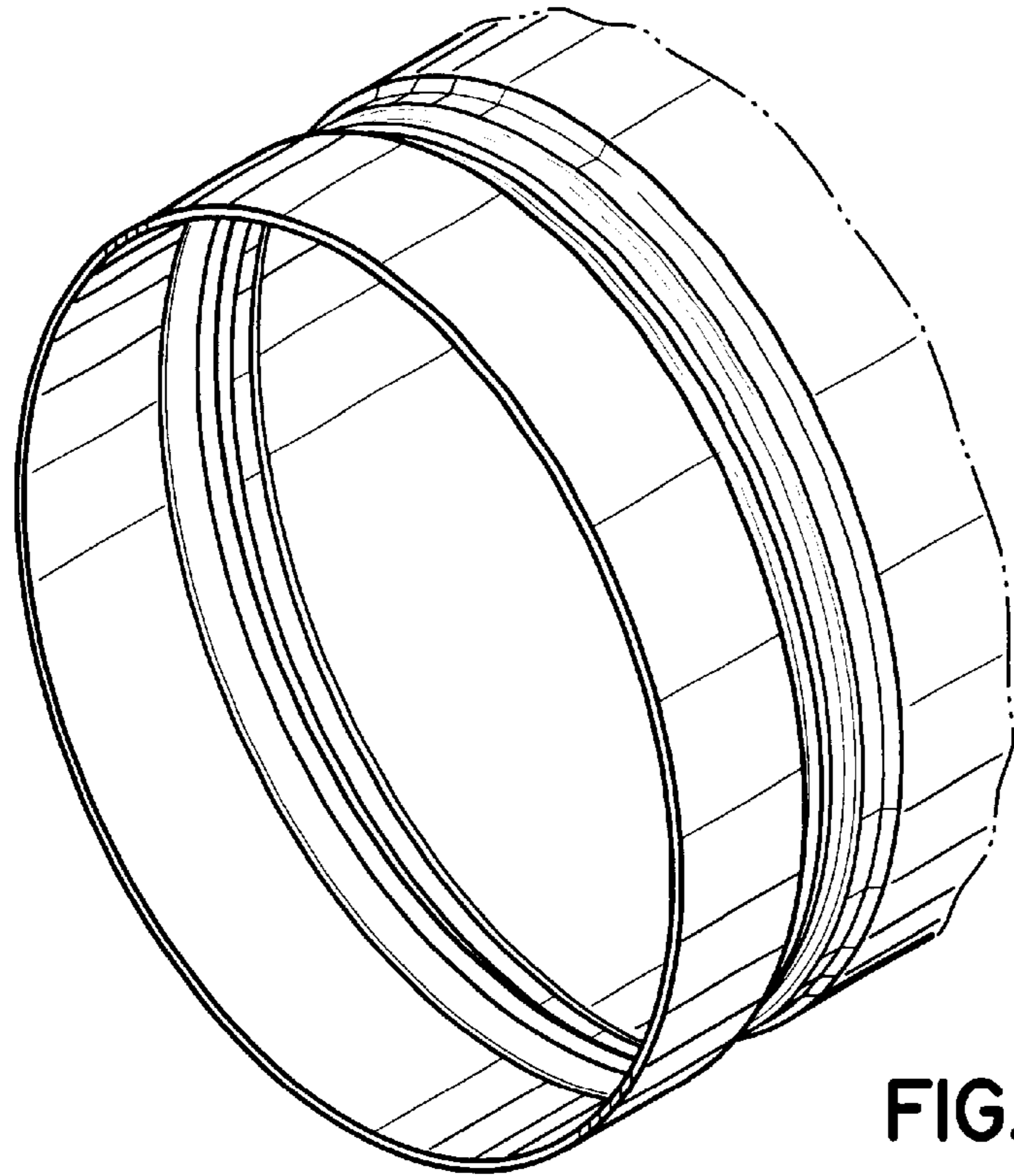


FIG. 6

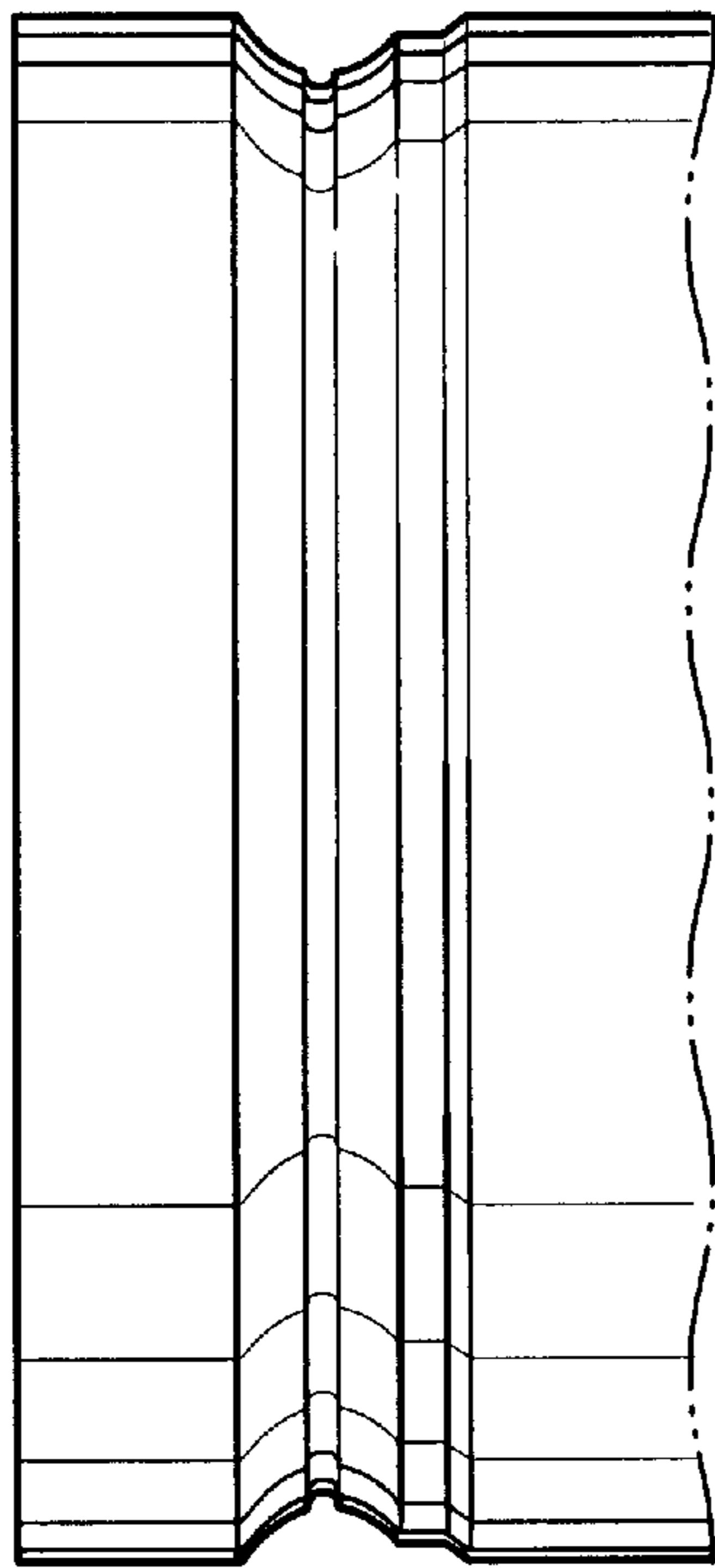


FIG. 7

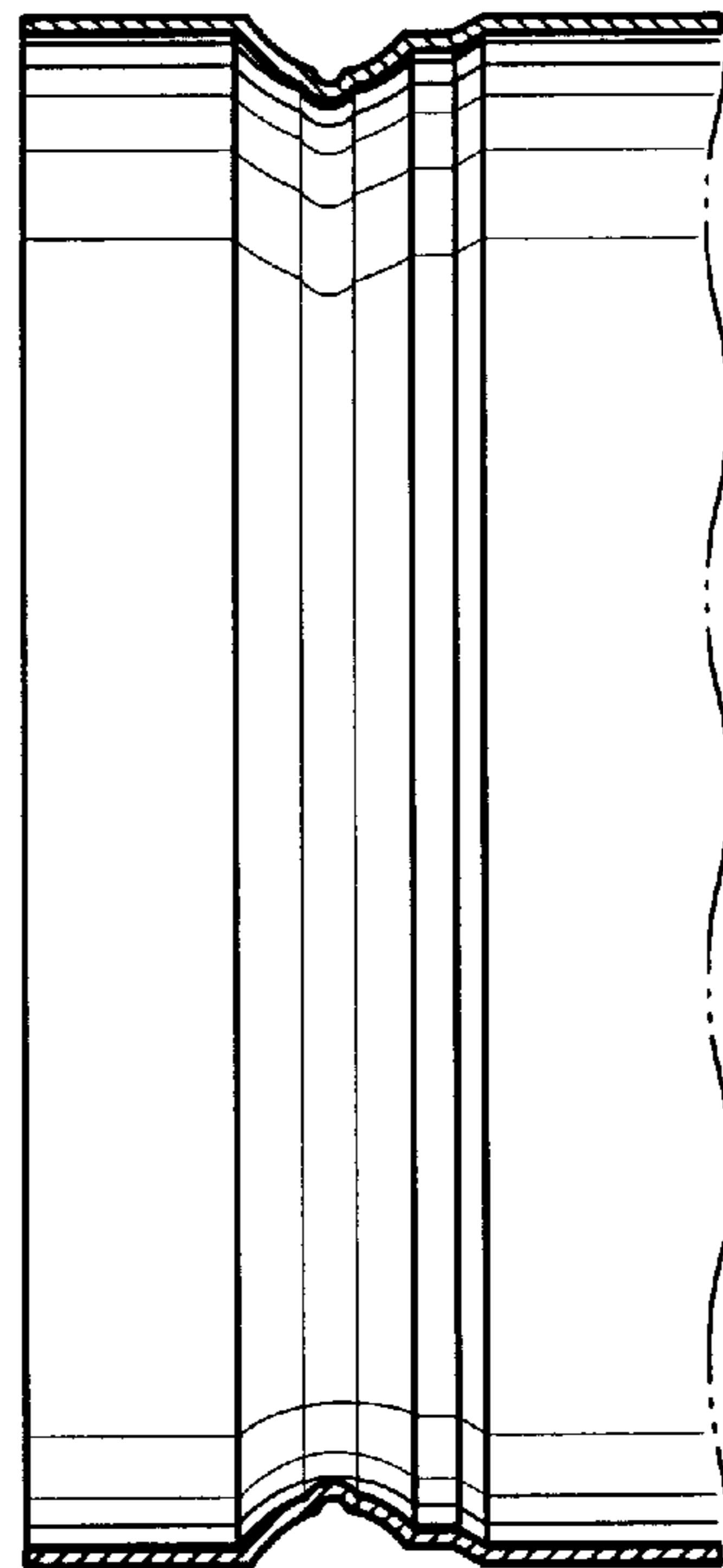


FIG. 10

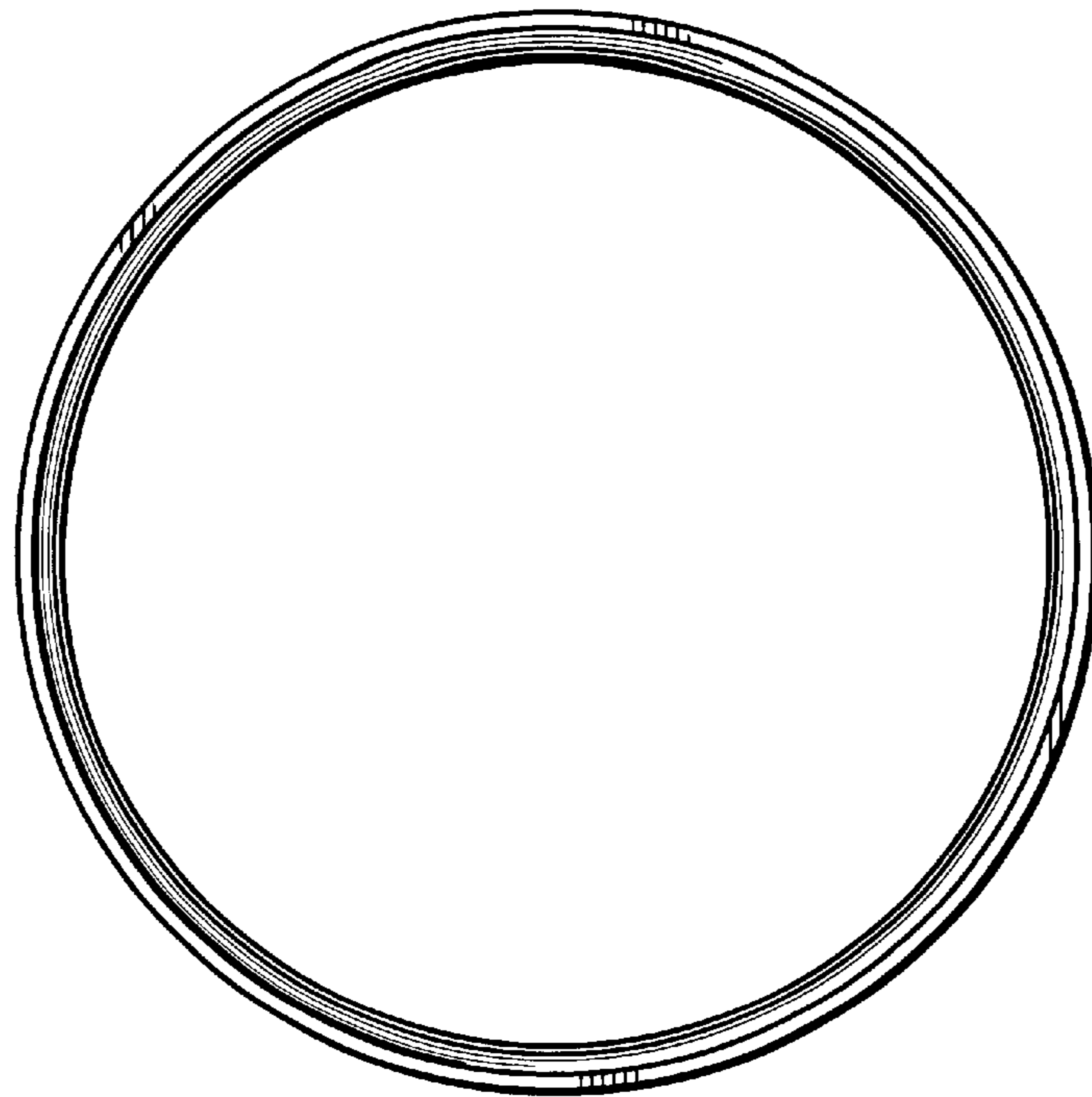
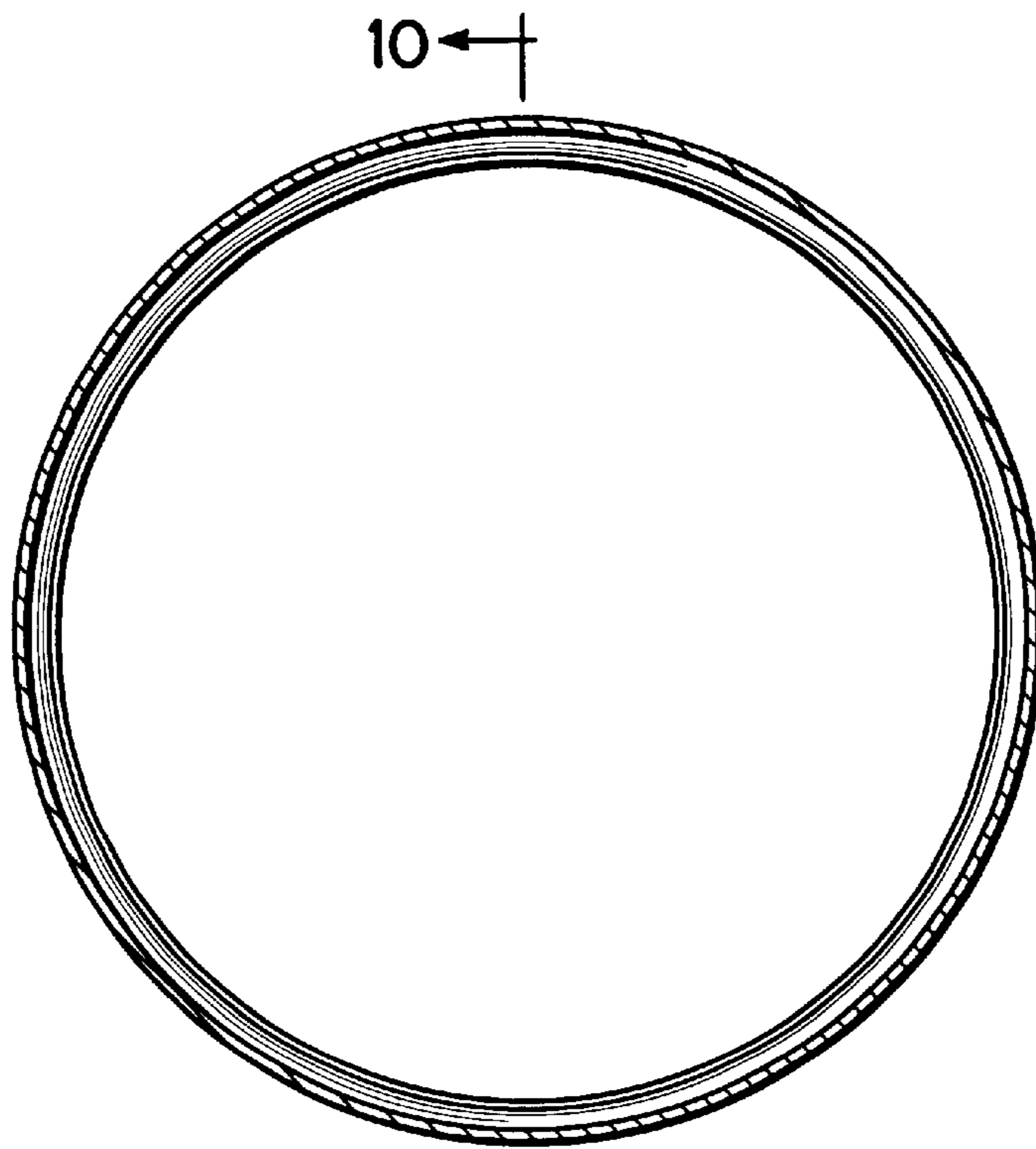


FIG. 8



10 ←

FIG. 9

UNITED STATES PATENT AND TRADEMARK OFFICE
CERTIFICATE OF CORRECTION

PATENT NO. : Des. 521,147 S
APPLICATION NO. : 29/226157
DATED : May 16, 2006
INVENTOR(S) : Sandman et al.

Page 1 of 1

It is certified that error appears in the above-identified patent and that said Letters Patent is hereby corrected as shown below:

On the Title page, Item (56) References Cited, FOREIGN PATENT DOCUMENTS, please add the following Foreign Patent Documents

FOREIGN PATENTS OR PUBLISHED FOREIGN PATENT APPLICATIONS

	DOCUMENT NUMBER	PUBLICATION DATE	COUNTRY OR PATENT OFFICE	CLASS	SUBCLASS	TRANSLATION (YES/NO)
A.L	AT363743	08/1981	Austria	F16L	21/06	No
A.M	DE856283	11/1952	Germany	E21F	1/06	No
A.N	DE954146	12/1956	Germany	E21F	1/06	No
A.O	GB1403744	08/1975	United Kingdom	F16L	11/18	Yes
A.P	GB1429220	03/1976	United Kingdom	F16L	43/00	Yes
A.Q	GB2149040	06/1985	United Kingdom	F16L	43/00	Yes

Item (56) References Cited, OTHER DOCUMENTS, please add the following Other Document:

OTHER DOCUMENTS (Including Author, Title, Date, Place of Publication)

A.R Lindab AB, Product Catalog entitled "Ducts and Fittings", Caswell Road, Brackmills Industrial Estate, Northampton NN4 0BR, 1987

Signed and Sealed this

Nineteenth Day of September, 2006



JON W. DUDAS

Director of the United States Patent and Trademark Office