



US00D521146S

(12) **United States Design Patent**
Rodriguez et al.

(10) **Patent No.:** **US D521,146 S**

(45) **Date of Patent:** **** May 16, 2006**

(54) **VEHICLE SMOKE VENT**

(76) Inventors: **Enrique Rodriguez**, 5512 W. 110th St.,
Oaklawn, IL (US) 60453; **Linda Rodriguez Juarez**, 5212 W. 110th St.,
Oaklawn, IL (US) 60453; **Norberta Rodriguez**, 5212 W. 110th St.,
Oaklawn, IL (US) 60453

(**) Term: **14 Years**

(21) Appl. No.: **29/226,258**

(22) Filed: **Mar. 28, 2005**

(51) **LOC (8) Cl.** **23-04**

(52) **U.S. Cl.** **D23/392**

(58) **Field of Classification Search** D23/388,
D23/392, 393, 327, 328, 341; 454/290, 317,
454/155, 319, 320, 322-327; D12/192, 195
See application file for complete search history.

(56) **References Cited**

U.S. PATENT DOCUMENTS

1,676,269 A 7/1928 Lutz 454/163
D307,632 S * 5/1990 Schulz D23/392

5,261,855 A 11/1993 Law et al. 454/76
5,733,190 A 3/1998 Wahab 454/164
6,030,285 A 2/2000 Chen 454/75
D468,417 S * 1/2003 Leutz et al. D23/393
6,544,116 B1 4/2003 Cerbo 454/162
6,592,447 B1 7/2003 Yackman 454/162
D506,003 S * 6/2005 Murphy et al. D23/392

* cited by examiner

Primary Examiner—Catherine R. Oliver

(74) *Attorney, Agent, or Firm*—Richard L. Mikesell

(57) **CLAIM**

The ornamental design for a vehicle smoke vent, as shown and described.

DESCRIPTION

FIG. 1 is a top left perspective view of the design of the present invention;
FIG. 2 is a bottom plan view thereof;
FIG. 3 is a top plan view thereof;
FIG. 4 is a side elevation view thereof; and,
FIG. 5 is an end elevation view thereof.

1 Claim, 1 Drawing Sheet

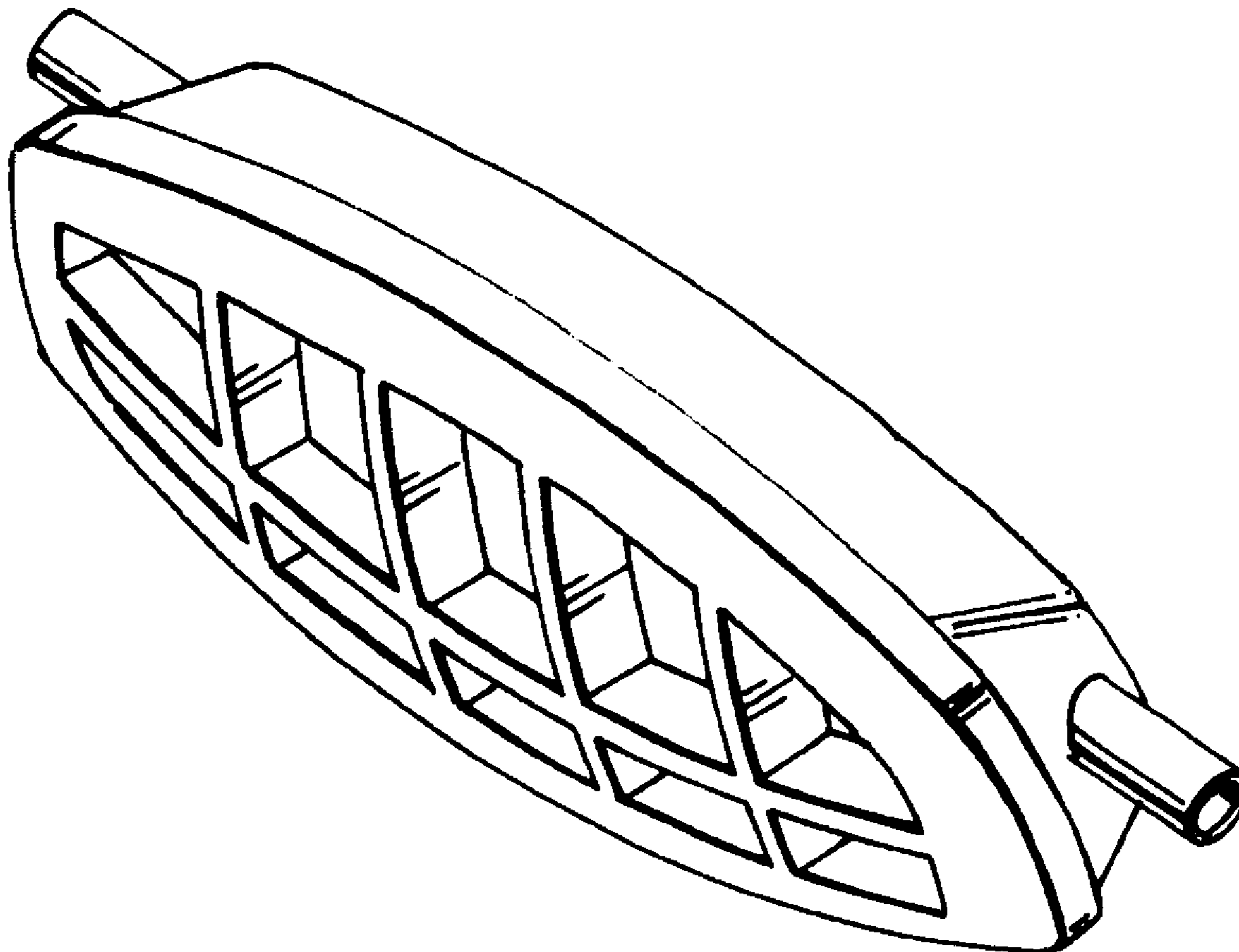


FIG. 1

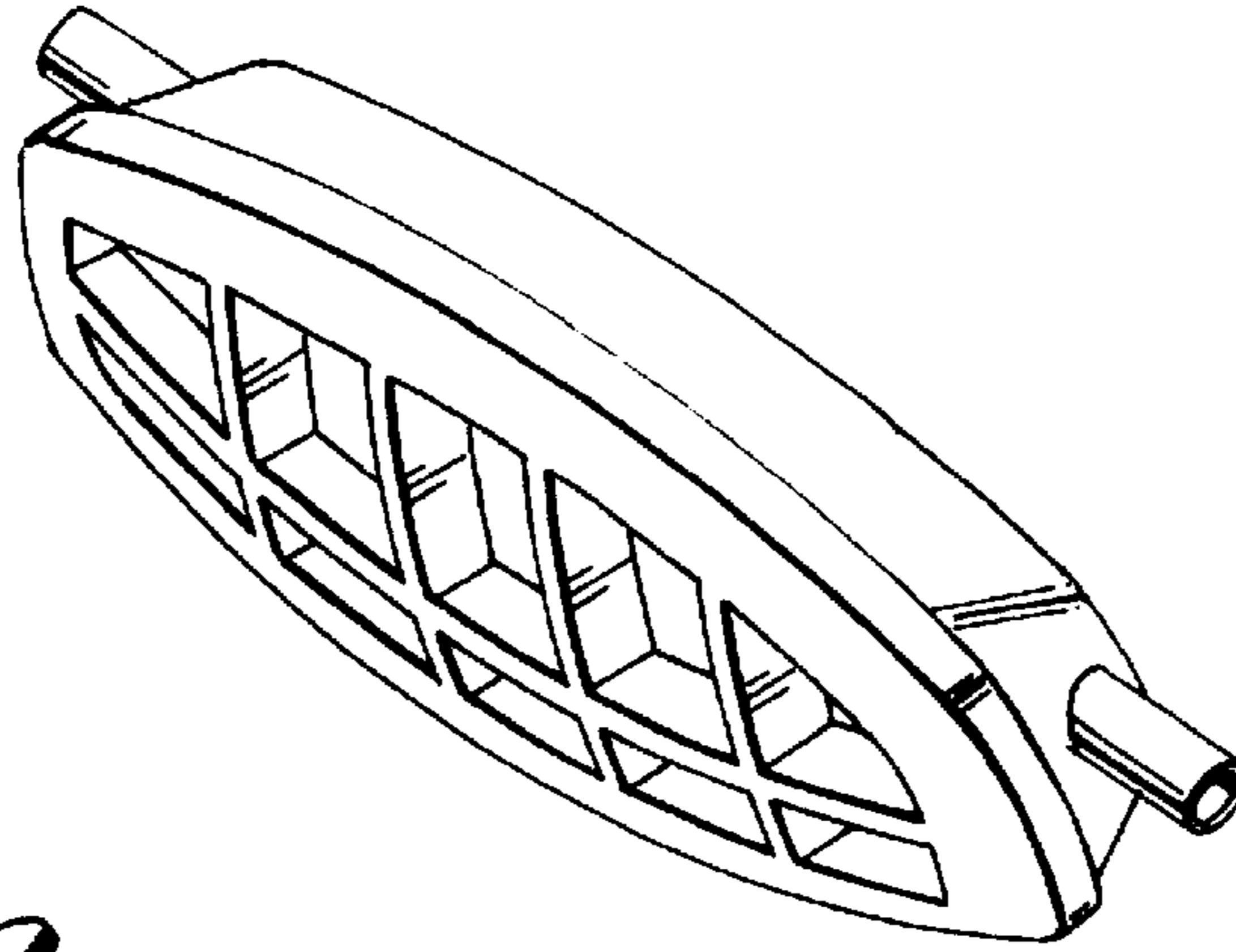


FIG. 2

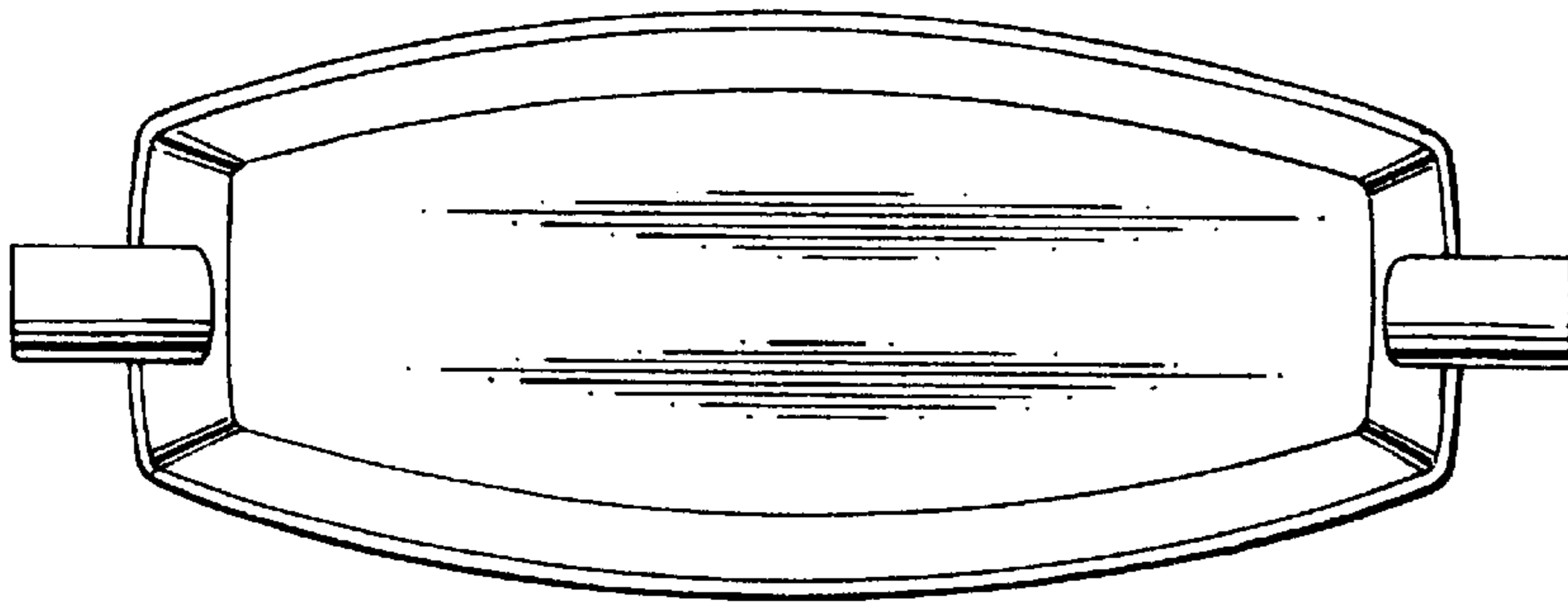


FIG. 3

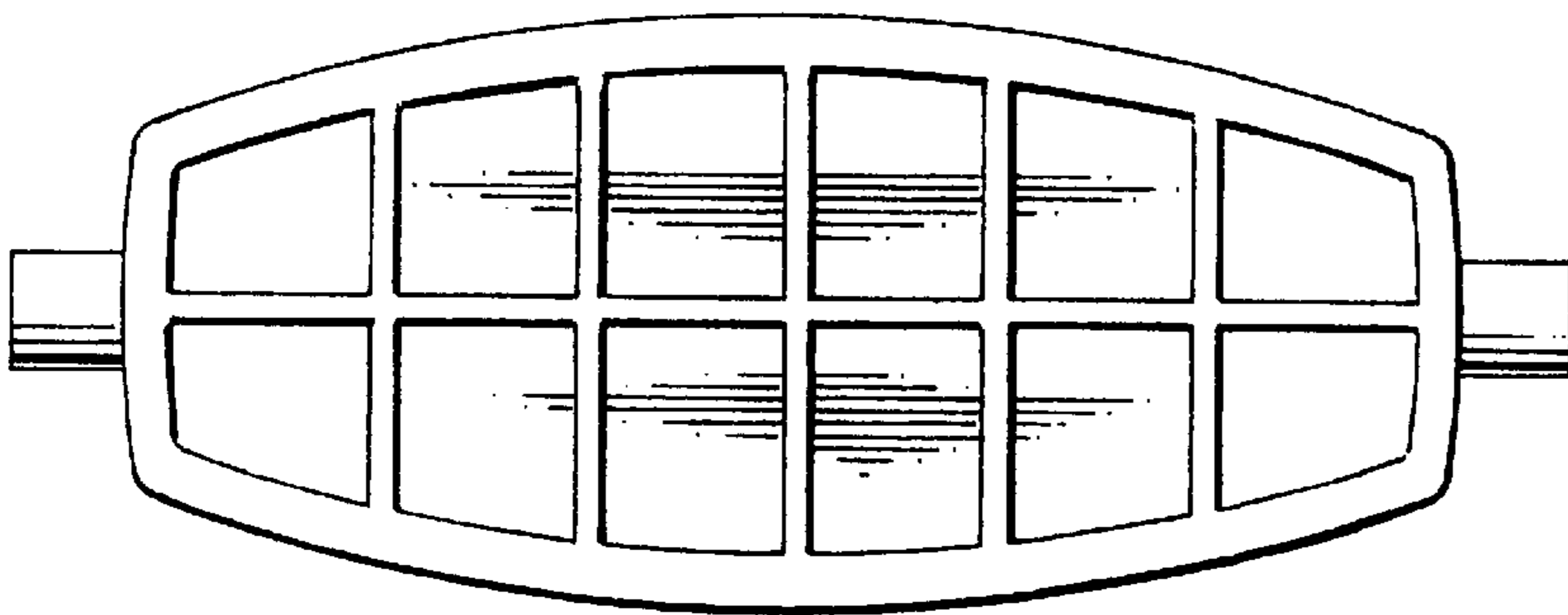


FIG. 5

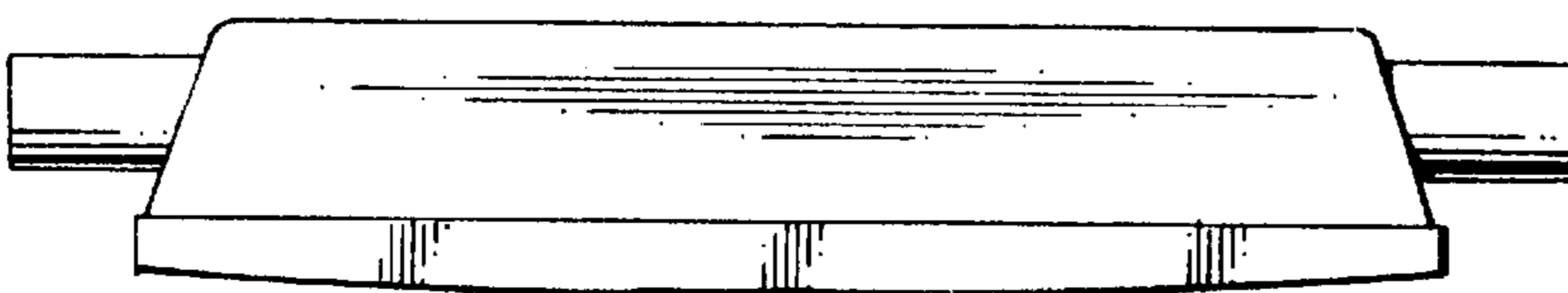
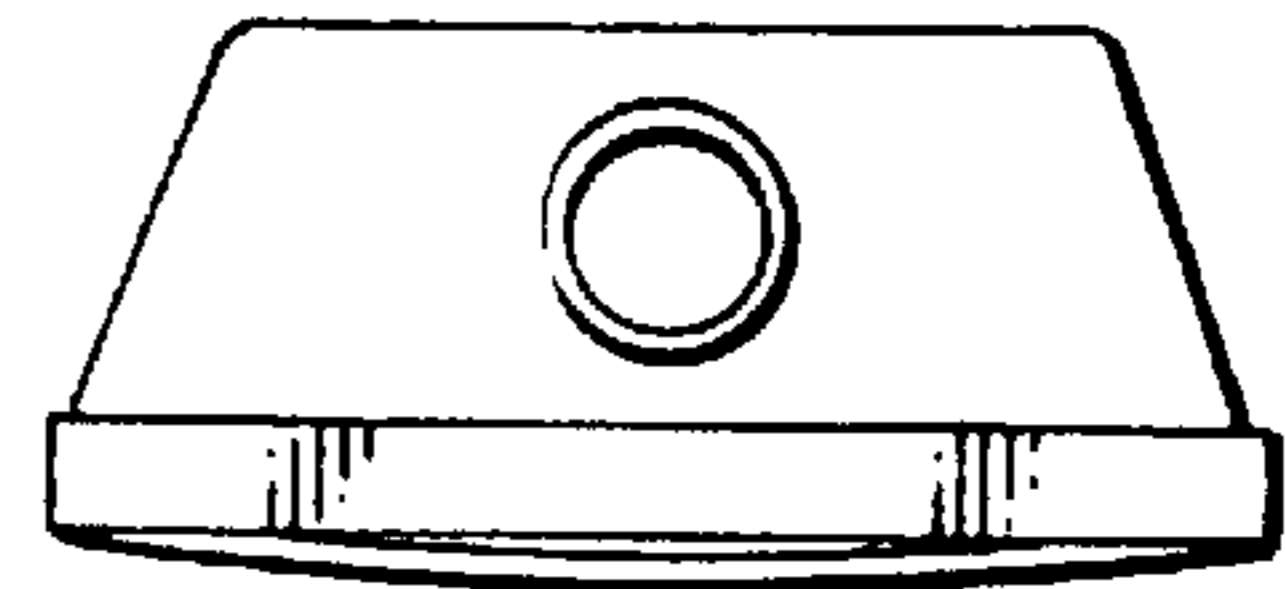


FIG. 4