



US00D521145S

(12) **United States Design Patent**
Craw et al.

(10) **Patent No.:** **US D521,145 S**
(45) **Date of Patent:** **** May 16, 2006**

- (54) **VENTILATING AND HEATING ASSEMBLY**
- (75) Inventors: **Gary J. Craw**, Delafield, WI (US);
Daniel L. Karst, Beaver Dam, WI (US); **Patrick J. Nielsen**, West Bend, WI (US)
- (73) Assignee: **Broan-Nutone LLC**, Hartford, WI (US)
- (**) Term: **14 Years**
- (21) Appl. No.: **29/194,325**
- (22) Filed: **Nov. 21, 2003**
- (51) **LOC (8) Cl.** **23-04**
- (52) **U.S. Cl.** **D23/391**
- (58) **Field of Classification Search** D23/314,
D23/328, 354, 371, 387, 388, 391, 393; 454/201,
454/338, 237, 250, 275-283, 309-320; 72/67,
72/86, 80-84; 52/302.3; 55/283, 302; 329/365-369
See application file for complete search history.

- 3,347,025 A 10/1967 Wiley
- 3,438,180 A 4/1969 Klouda
- 3,572,234 A 3/1971 Schoenthaler
- 3,577,710 A 5/1971 Feldman
- 3,606,593 A 9/1971 Steiner
- 3,636,306 A 1/1972 Bumpus
- 3,665,838 A 5/1972 Sherpherd
- 3,692,977 A 9/1972 Duhamel et al.
- 3,698,833 A 10/1972 Cann et al.
- 3,732,030 A 5/1973 Mullings
- 3,743,439 A 7/1973 Cann
- 3,785,271 A 1/1974 Joy
- 3,788,207 A 1/1974 Doherty
- 3,926,537 A 12/1975 Piper
- 3,952,638 A 4/1976 Felter et al.
- 4,073,597 A 2/1978 Barnhart et al.
- 4,115,082 A 9/1978 Newell

(Continued)

Primary Examiner—Brian N Vinson
(74) *Attorney, Agent, or Firm*—Michael Best & Friedrich LLP

(56) **References Cited**

U.S. PATENT DOCUMENTS

- 1,532,635 A 4/1925 Osbun
- 2,182,690 A 12/1939 Cole
- 2,278,581 A 4/1942 Dexter
- 2,483,377 A 9/1949 Young
- 2,668,491 A 2/1954 Gerlitz
- 2,673,514 A 3/1954 Hanks
- 2,710,573 A 6/1955 Marker
- 2,800,069 A 7/1957 Smith
- 2,875,678 A 3/1959 Shepherd
- 2,911,900 A 11/1959 Rudy
- 2,963,956 A 12/1960 Hill
- 2,987,258 A 6/1961 North
- 3,002,676 A 10/1961 Papsdorf
- 3,045,579 A 7/1962 Jenh et al.
- 3,064,548 A 11/1962 Field
- 3,068,341 A 12/1962 Ortiz et al.
- 3,101,662 A 8/1963 Alldritt
- 3,211,080 A 10/1965 Rader
- 3,212,425 A 10/1965 Hazen et al.
- 3,326,112 A 6/1967 Sadlow et al.
- 3,332,334 A 7/1967 Melzer

(57) **CLAIM**

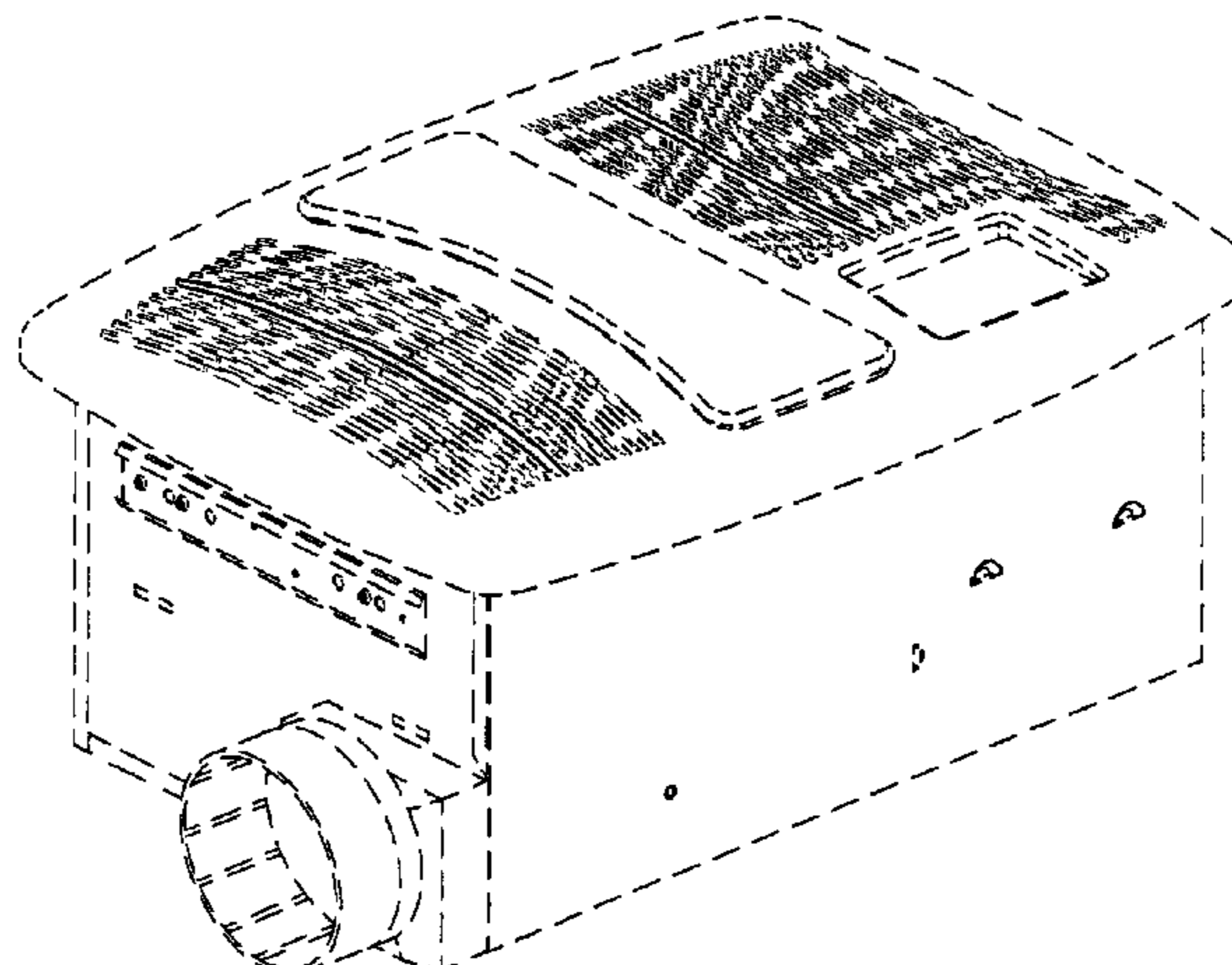
The ornamental design for a ventilating and heating assembly, as shown and described.

DESCRIPTION

FIG. 1 is a perspective view of a ventilating and heating apparatus according to an exemplary embodiment of the present invention;
FIG. 2 is an end view of the apparatus shown in FIG. 1;
FIG. 3 is an opposite end view of the apparatus shown in FIG. 2;
FIG. 4 is a top view of the apparatus shown in FIG. 1;
FIG. 5 is a bottom view of the apparatus shown in FIG. 1;
FIG. 6 is a side view of the apparatus shown in FIG. 1; and,
FIG. 7 is an opposite side view of the apparatus shown in FIG. 6.

The broken line showing of the environment is for illustrative purposes only and forms no part of the claimed design. The broken lines which define the boundaries of the claimed design form no part thereof.

1 Claim, 4 Drawing Sheets



US D521,145 S

Page 2

U.S. PATENT DOCUMENTS

4,252,547 A 2/1981 Johnson
4,319,898 A 3/1982 Maeirhofer
4,335,647 A 6/1982 Timmons
4,336,749 A 6/1982 Barhart et al.
4,385,550 A 5/1983 Steiner et al.
4,385,911 A 5/1983 Popeil et al.
4,406,216 A 9/1983 Hott et al.
4,510,851 A 4/1985 Sarnosky et al.
4,867,640 A 9/1989 Penlesky et al.

D334,977 S * 4/1993 Avari D23/387
5,879,232 A 3/1999 Luter, II et al.
5,918,972 A 7/1999 Van Belle
D438,948 S * 3/2001 Schrank D23/393
D449,680 S * 10/2001 Arlotta et al. D23/393
D451,187 S * 11/2001 Webb D23/393
6,488,579 B1 12/2002 Larson et al.
D469,172 S * 1/2003 Warren et al. D23/387
D470,233 S * 2/2003 Sarkinen et al. D23/388

* cited by examiner

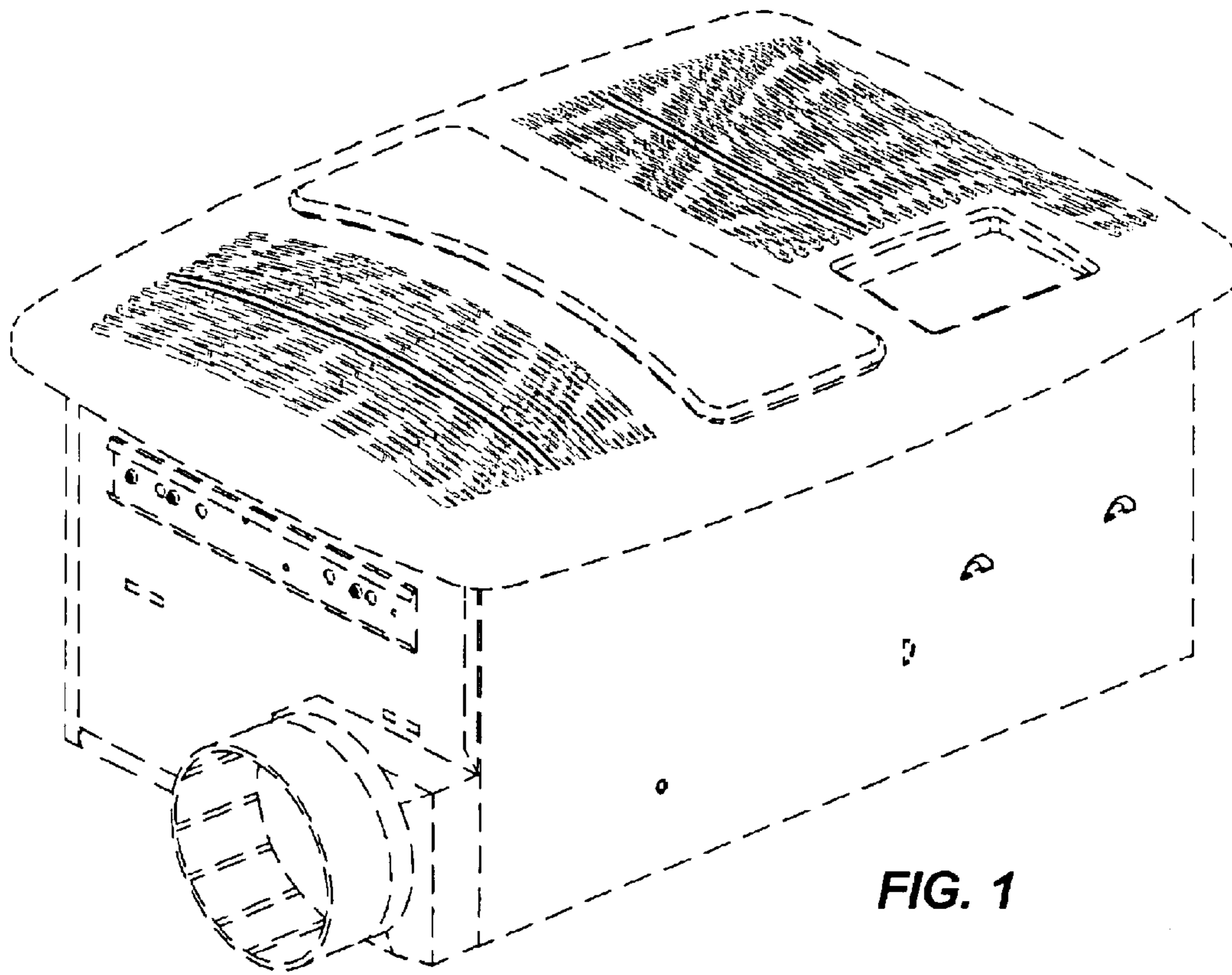


FIG. 1

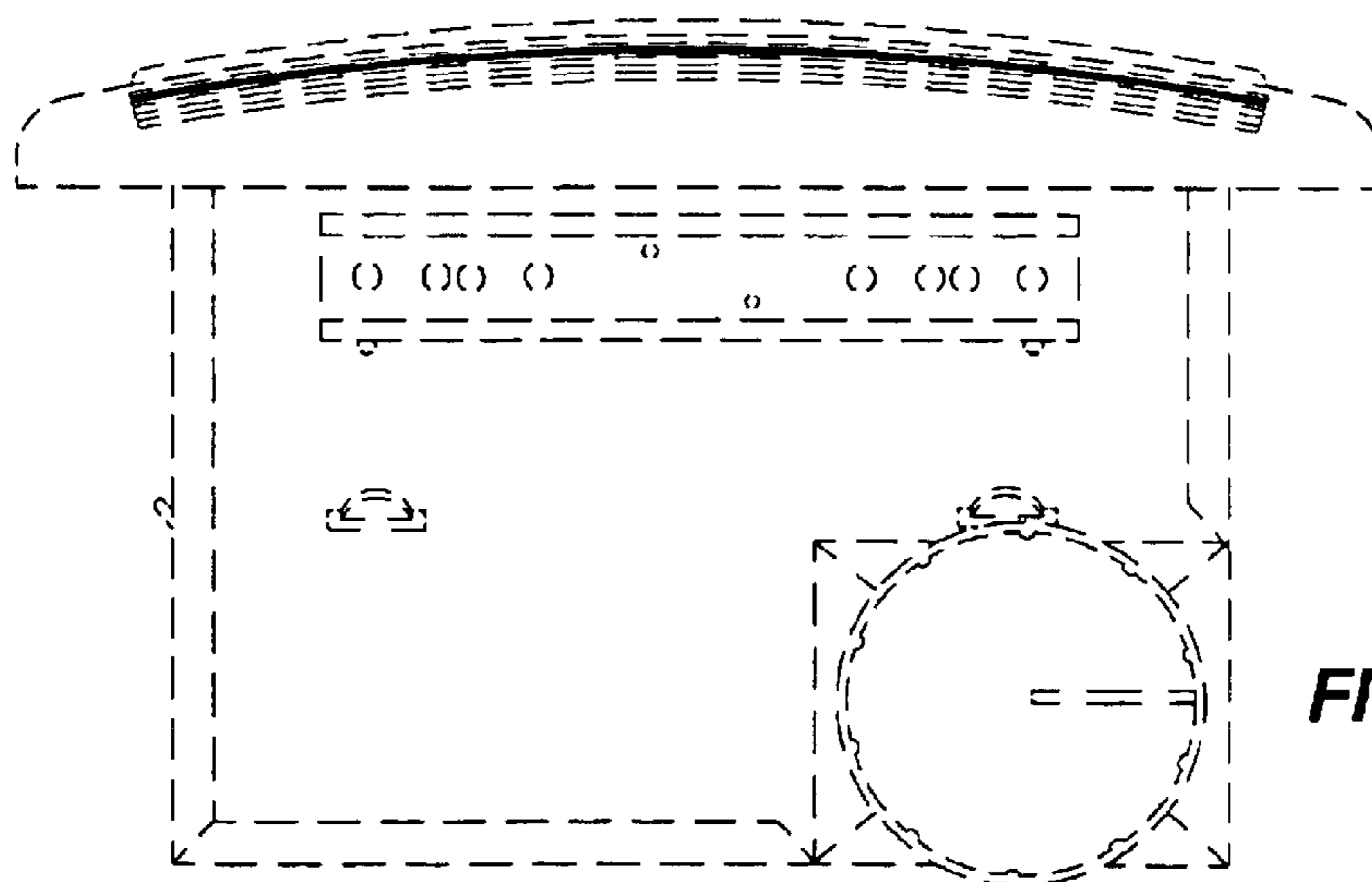


FIG. 2

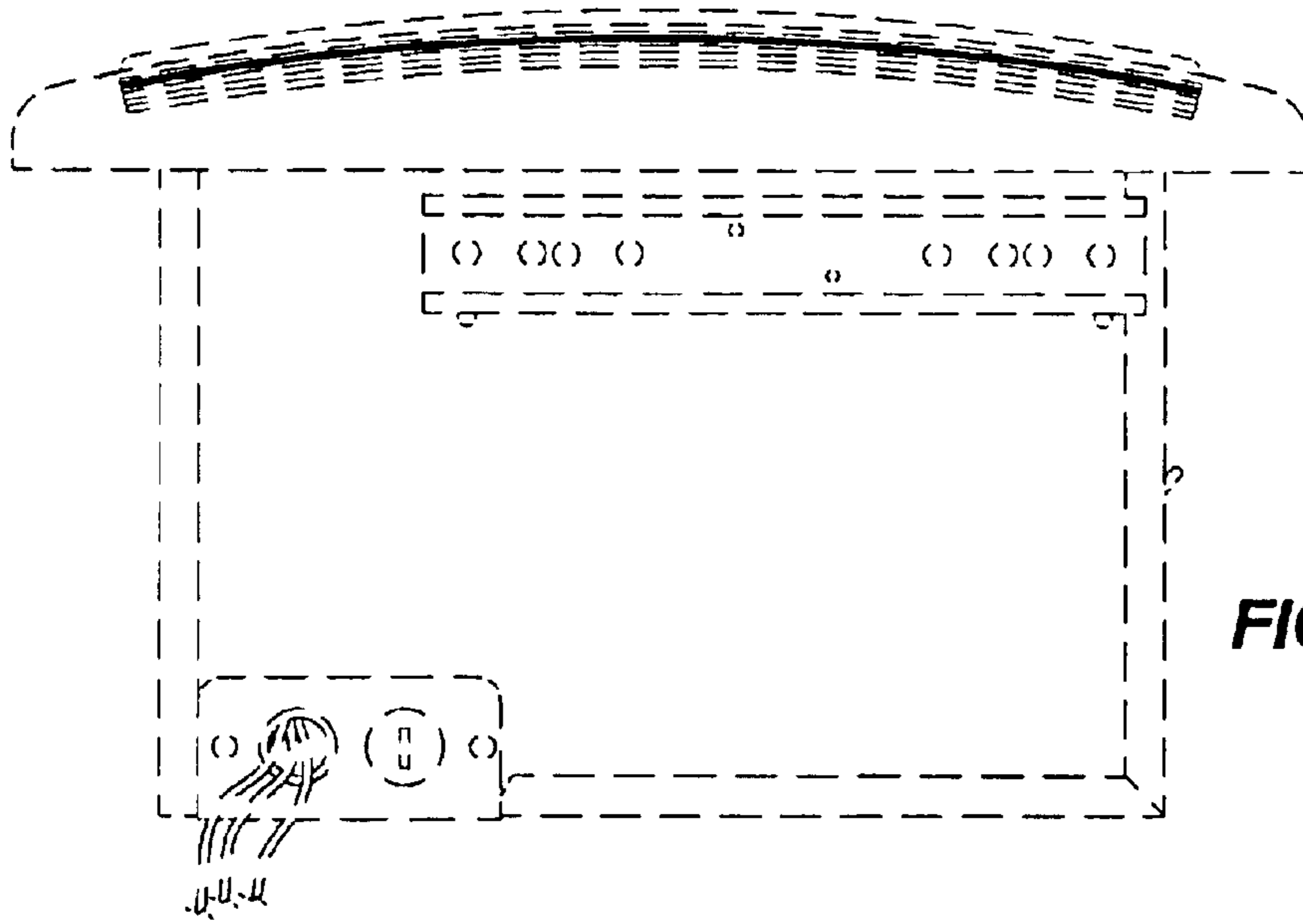


FIG. 3

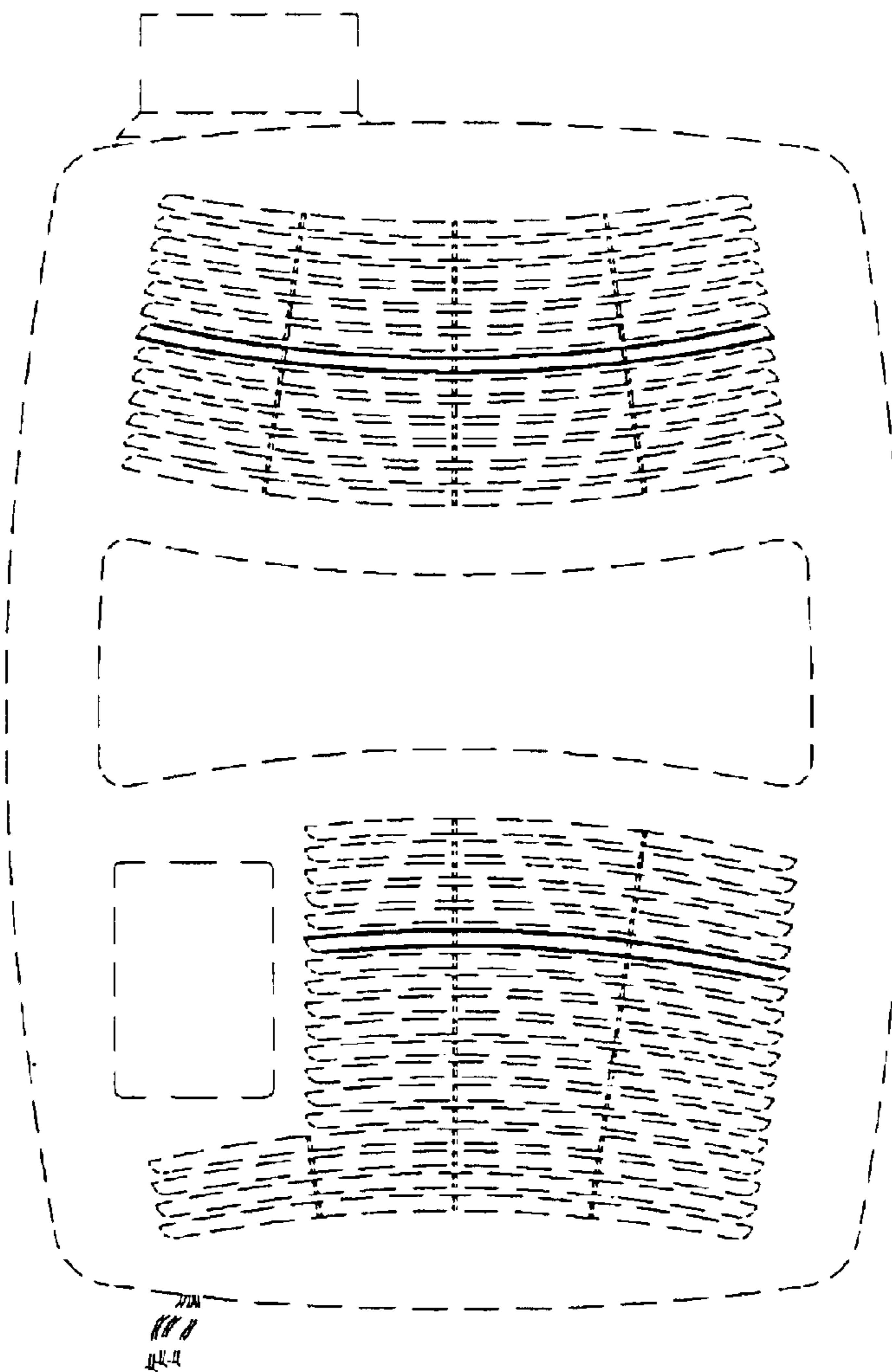


FIG. 4

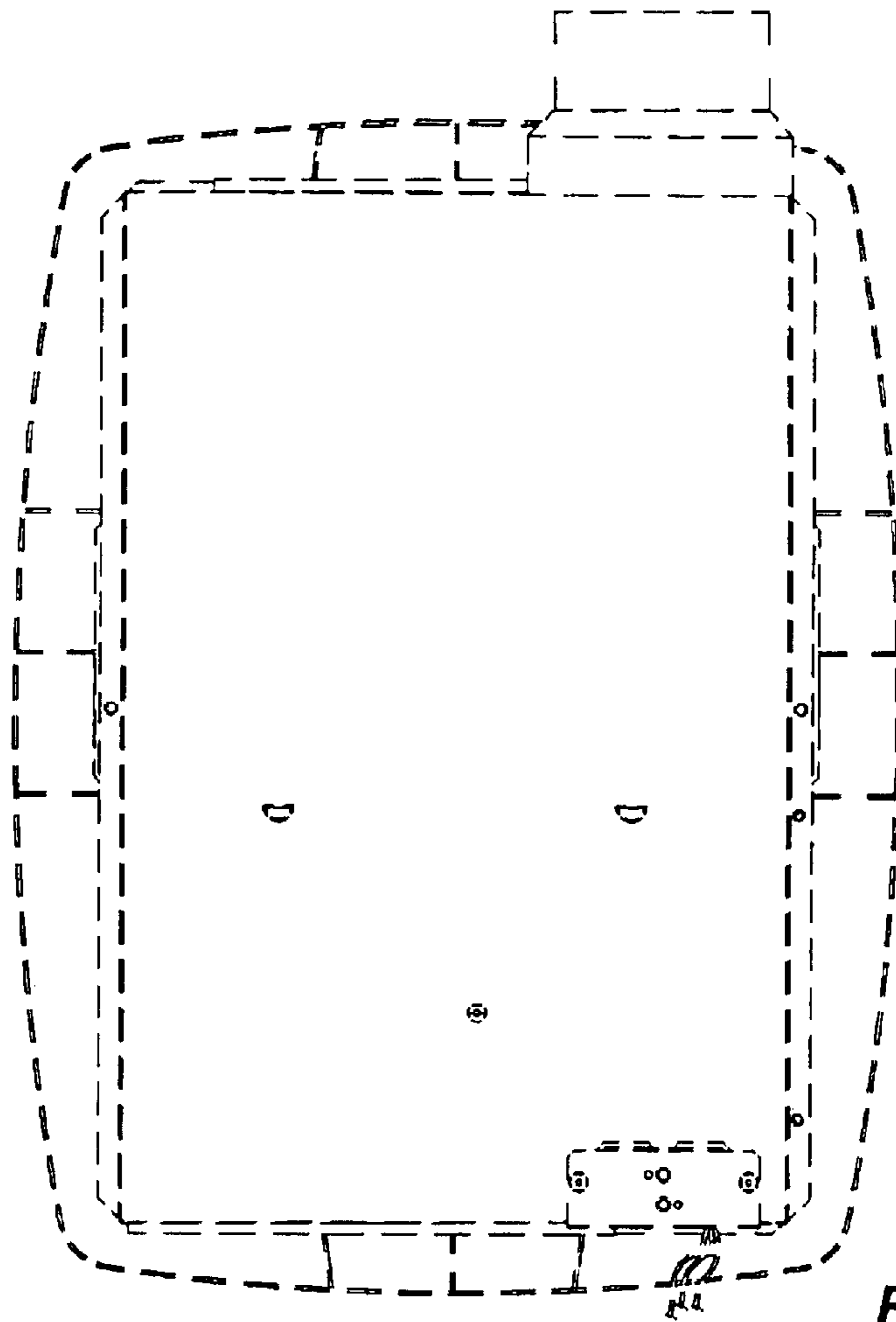


FIG. 5

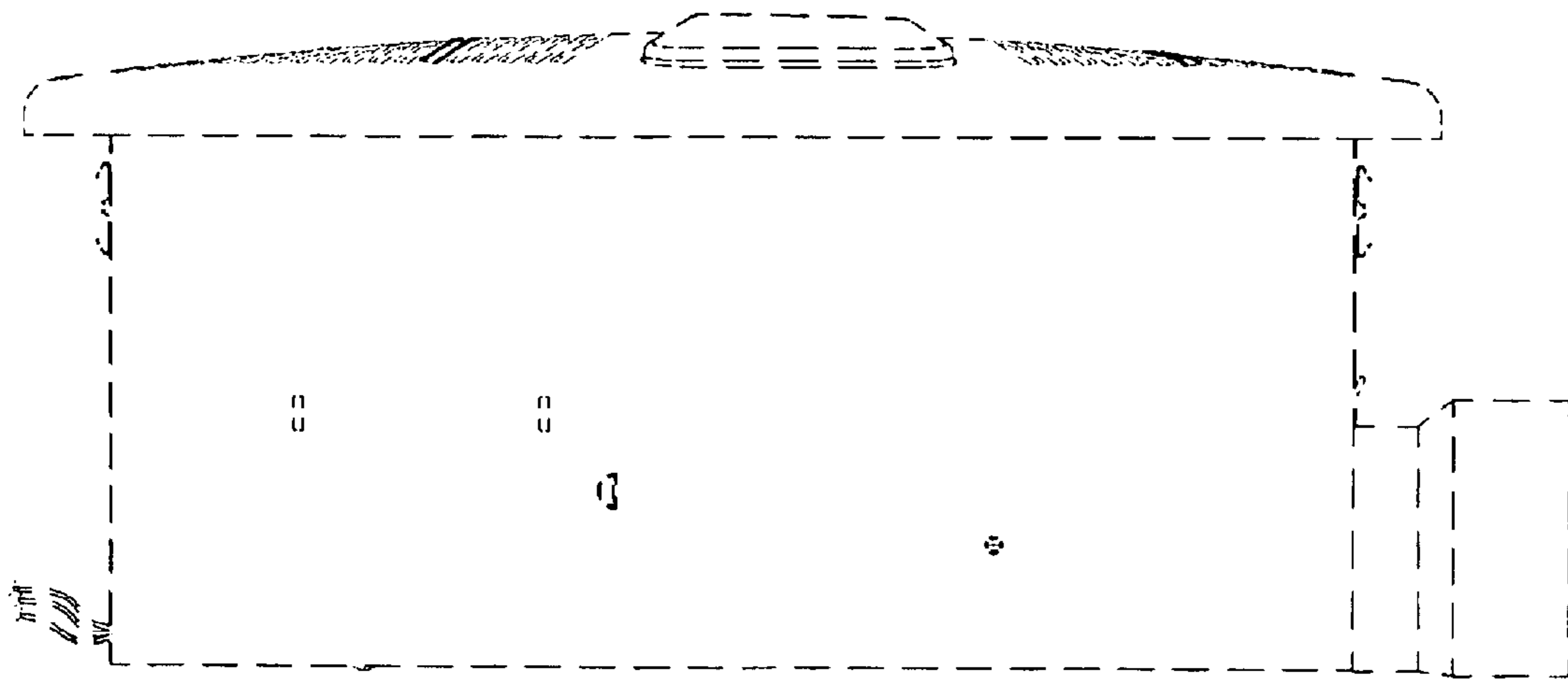


FIG. 6

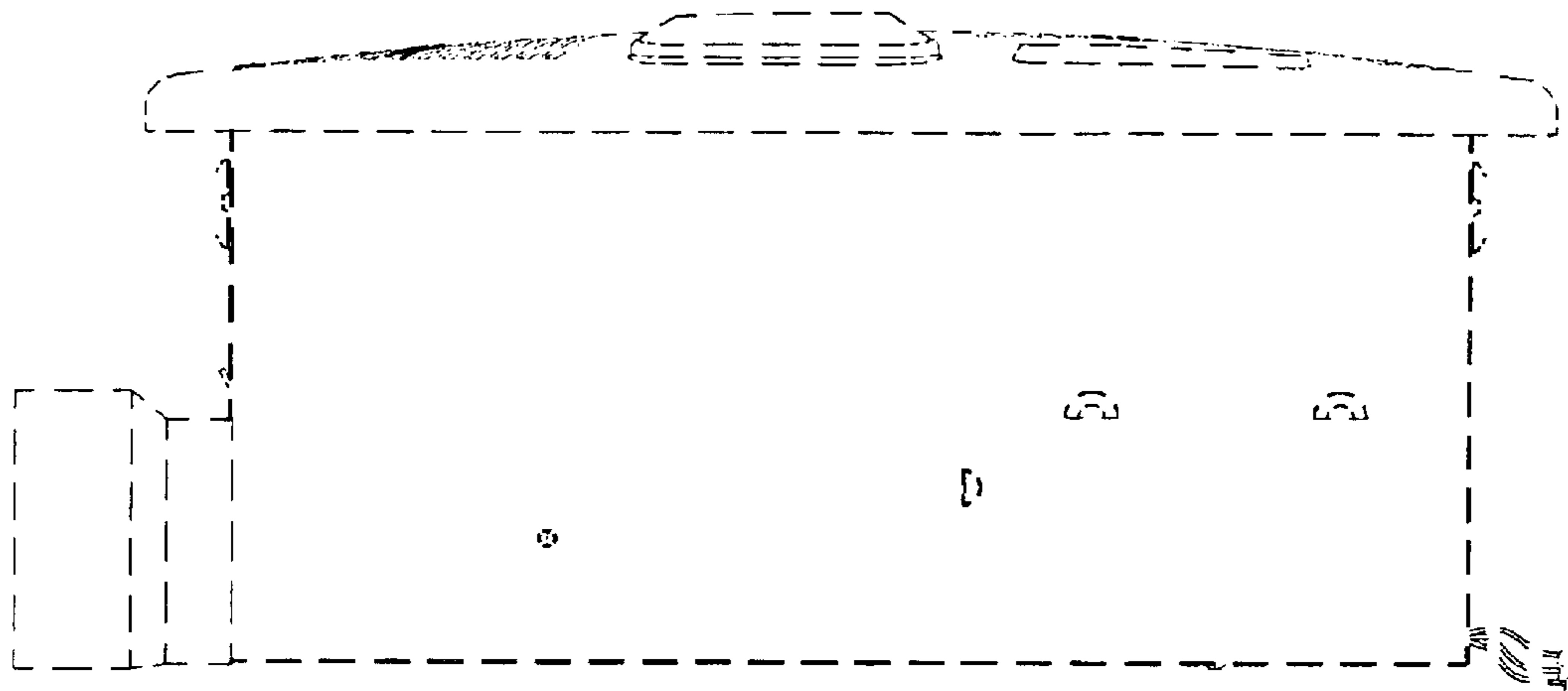


FIG. 7