



US00D521143S

(12) **United States Design Patent** (10) **Patent No.:** **US D521,143 S**
Florez (45) **Date of Patent:** **** May 16, 2006**

- (54) **COMBINATION CEILING FAN AND LIGHT FIXTURE**
- (75) Inventor: **Miguel Florez**, Riverside, CA (US)
- (73) Assignee: **Minka Lighting, Inc.**, Corona, CA (US)
- (**) Term: **14 Years**
- (21) Appl. No.: **29/227,998**
- (22) Filed: **Apr. 19, 2005**
- (51) **LOC (8) Cl.** **23-04**
- (52) **U.S. Cl.** **D23/377; D23/379; D26/59**
- (58) **Field of Classification Search** **D23/377, D23/379, 385, 411, 413; 416/5; D26/59, D26/81-88, 72; 362/96**
See application file for complete search history.

Minka Lighting, Inc.; MinkaAire 2005 catalog; Jan. 2005; p. 20; Minka Lighting, Inc.; U.S.A.
 Minka Lighting, Inc.; MinkaAire 2005 catalog; Jan. 2005; pp. 48-49; Minka Lighting, Inc.; U.S.A.
 Minka Lighting, Inc.; MinkaAire 2005 catalog; Jan. 2005; pp. 24-25; Minka Lighting, Inc.; U.S.A.
 Minka Lighting, Inc.; MinkaAire 2005 catalog; Jan. 2005; pp. 50-51; Minka Lighting, Inc.; U.S.A.
 Minka Lighting, Inc.; MinkaAire 2005 catalog; Jan. 2005; pp. 14-15; Minka Lighting, Inc.; U.S.A.

* cited by examiner

Primary Examiner—Lisa Lichtenstein
 (74) *Attorney, Agent, or Firm*—Baker & McKenzie LLP

(57) **CLAIM**

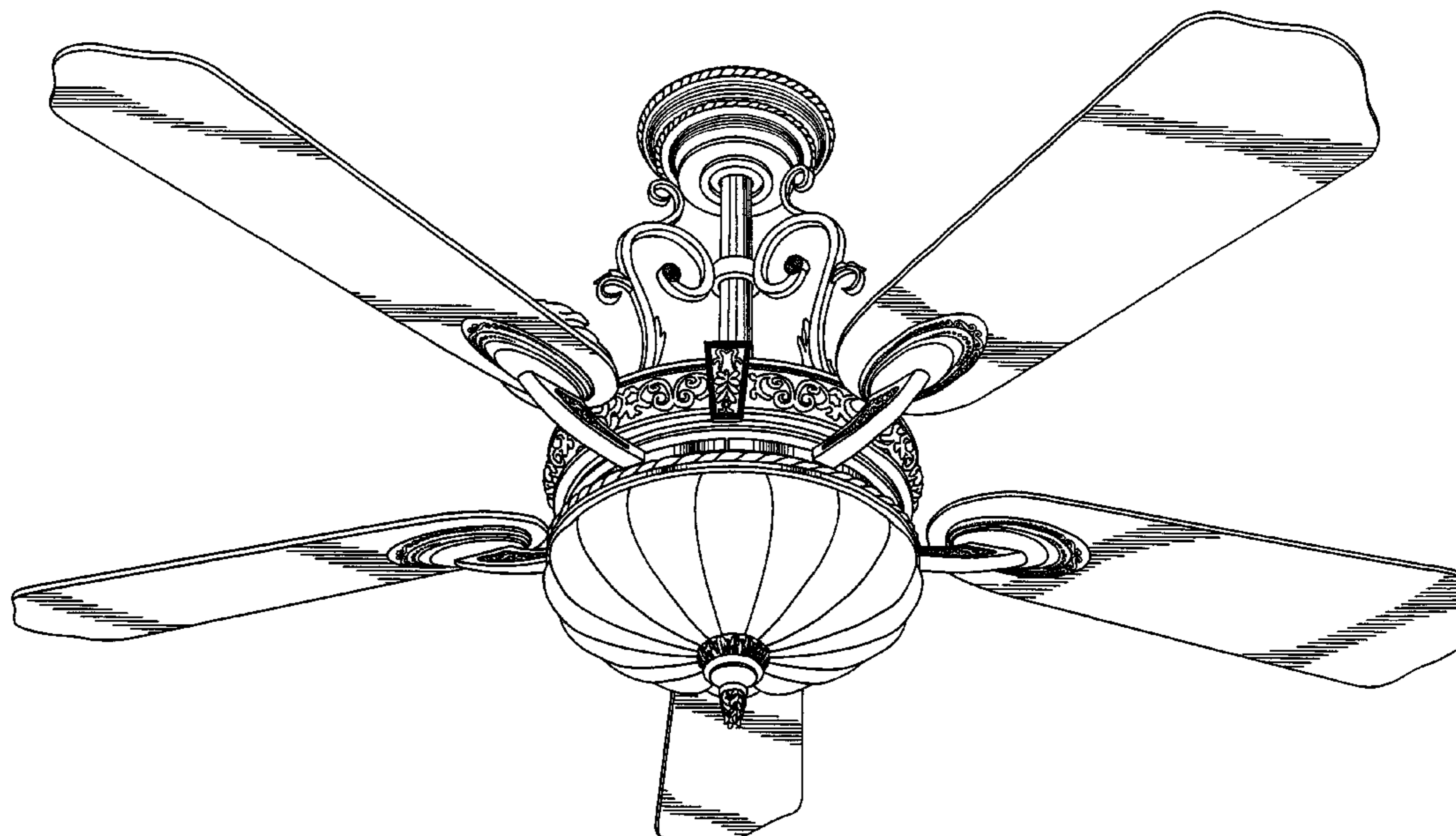
The ornamental design for a combination ceiling fan and light fixture, as shown and described.

DESCRIPTION

FIG. 1 is a perspective view from below of a combination ceiling fan and light fixture in accordance with my design; FIG. 2 is a reduced top plan view of the combination ceiling fan and light fixture in accordance with my design; FIG. 3 is a reduced bottom plan view of the combination ceiling fan and light fixture in accordance with my design; FIG. 4 is a front elevation view of the combination ceiling fan and light fixture in accordance with my design; and, FIG. 5 is a side elevation view of the combination ceiling fan and light fixture in accordance with my design. FIGS. 4 and 5 are identical except for the positioning of the fan blades. The broken lines showing environmental structure are for illustrative purposes and form no part of the claimed design.

- (56) **References Cited**
- U.S. PATENT DOCUMENTS
- D440,647 S * 4/2001 Lee D23/377
- D454,630 S * 3/2002 Hidalgo D23/377
- D484,233 S * 12/2003 Bucher et al. D23/377
- D507,827 S * 7/2005 Hidalgo D23/377
- OTHER PUBLICATIONS
- Emerson Internet Catalog; Castilla; Model #KF120SCK; printed from www.fanshack.com on Apr. 20, 2005.
- Ellington Internet Catalog; LaRochelle; Model #ELLR54BGD5LKWCR2; printed from www.fanswork-soutlet.com on Apr. 20, 2005.
- Patio Collection Internet Catalog; Model #014255; printed from www.ceilingfansontheweb.com on Apr. 20, 2005.
- Home Lighting & Accessories; Dallas Summer Market catalog; Jun. 2004; pp. 50-51; Savory House; U.S.A.

1 Claim, 5 Drawing Sheets



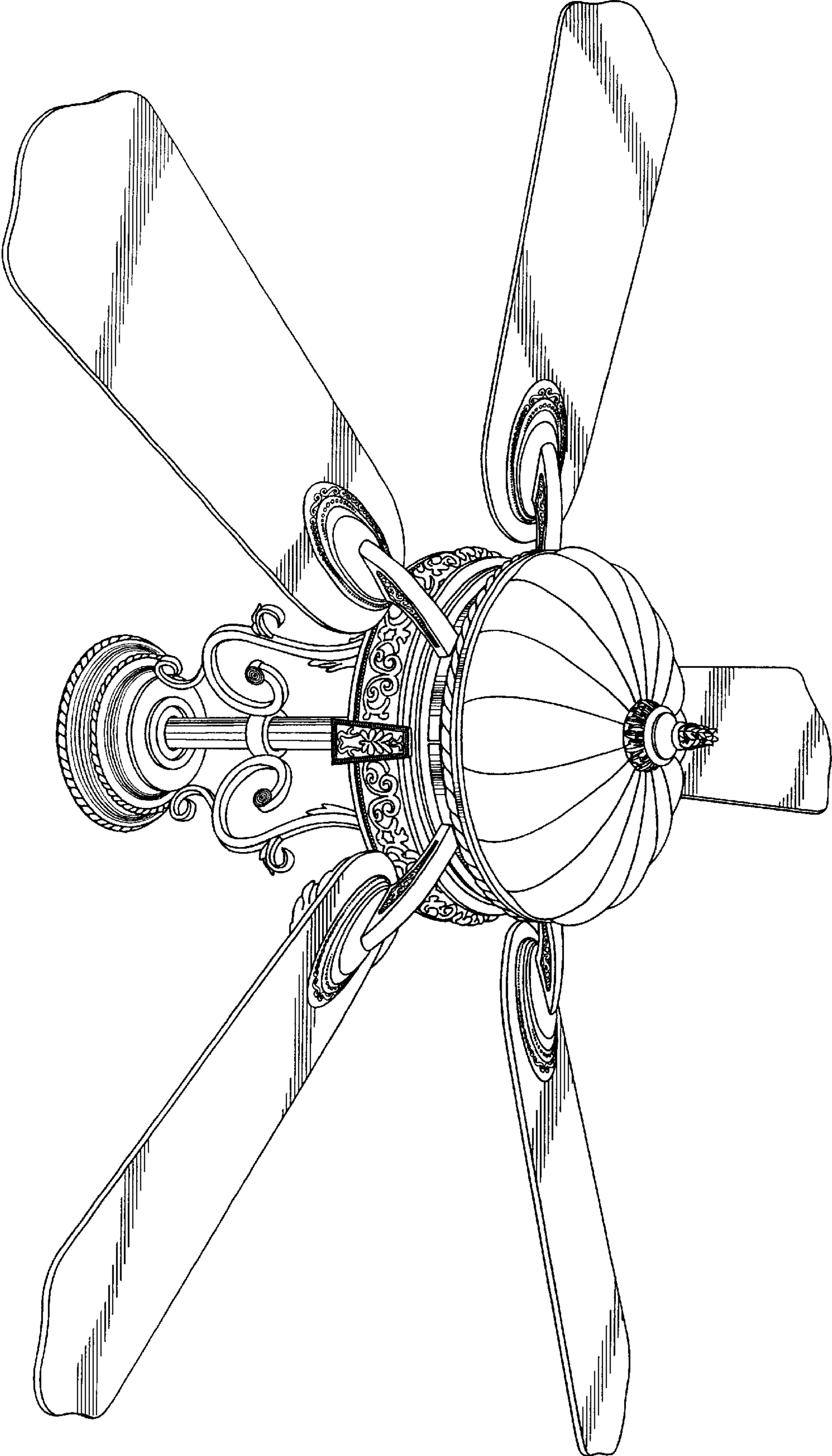


Fig.1

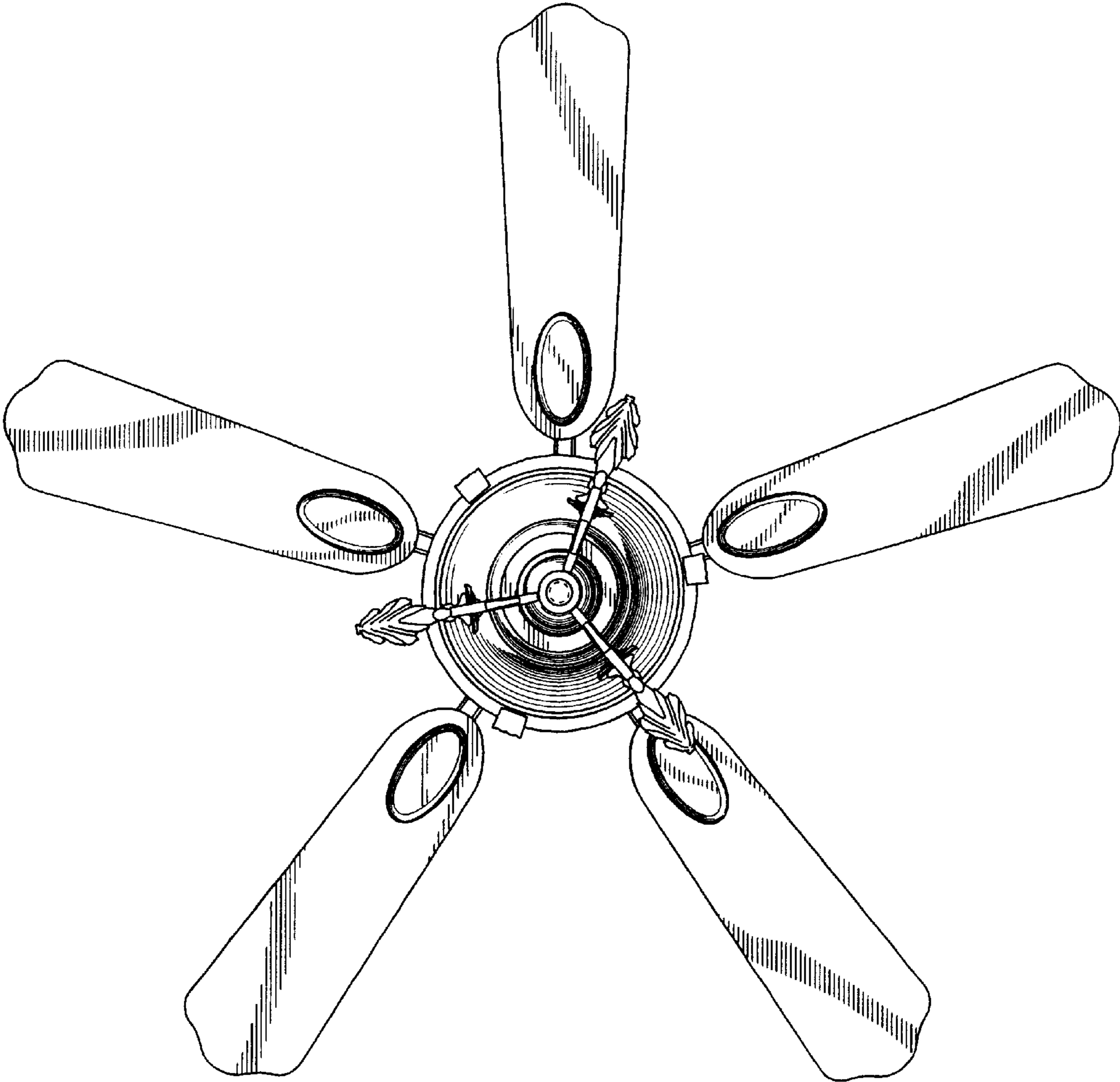


Fig.2

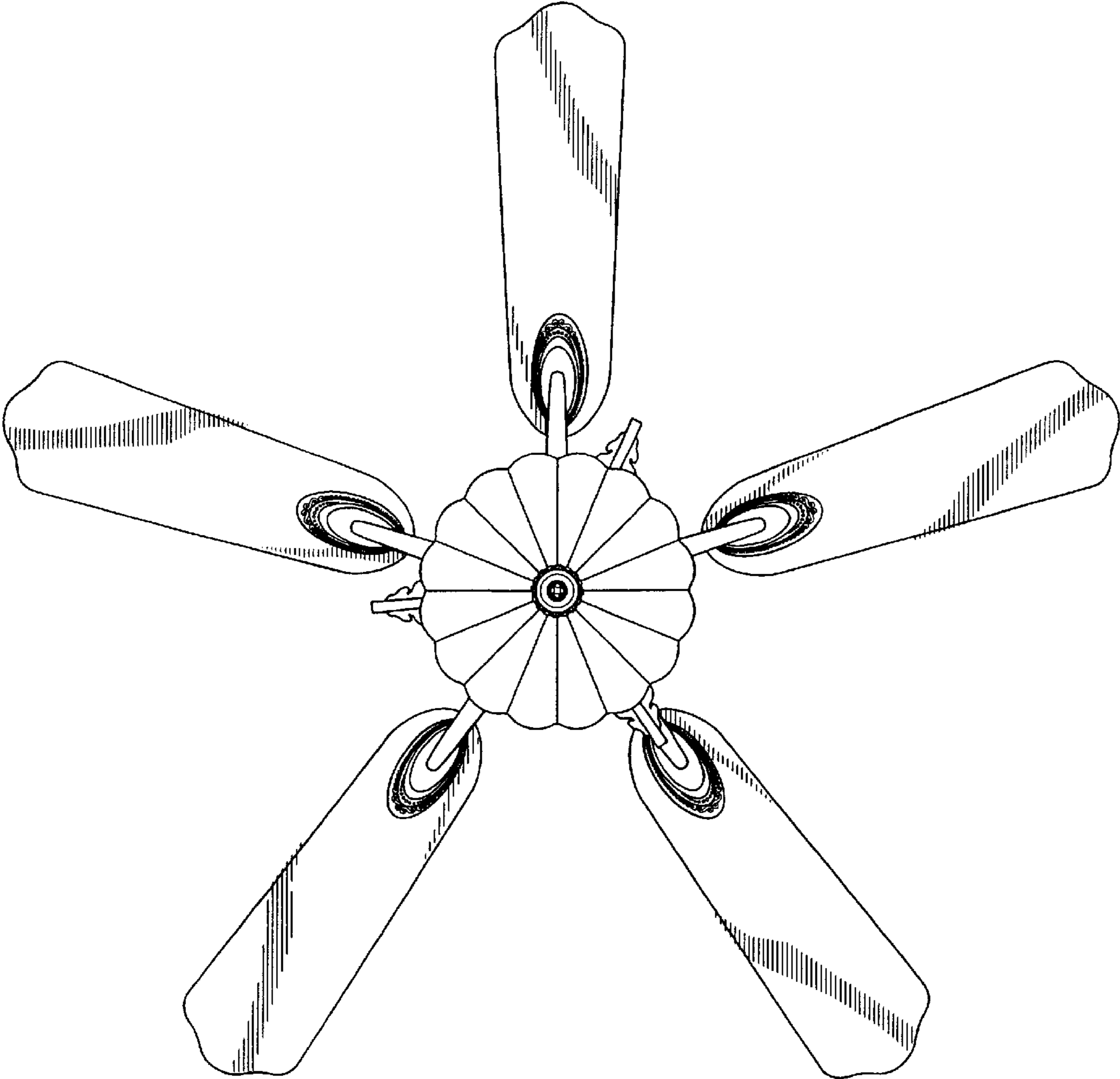


Fig.3

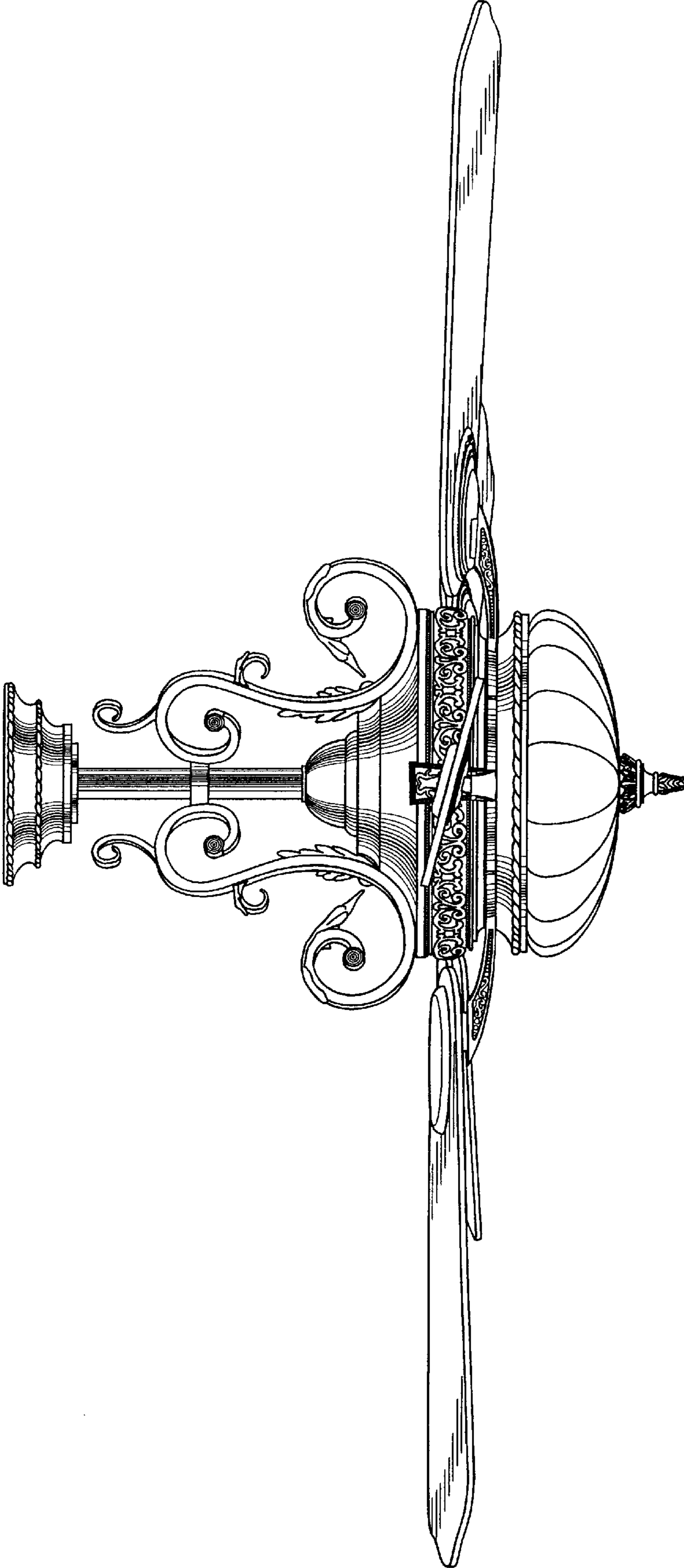


Fig. 4

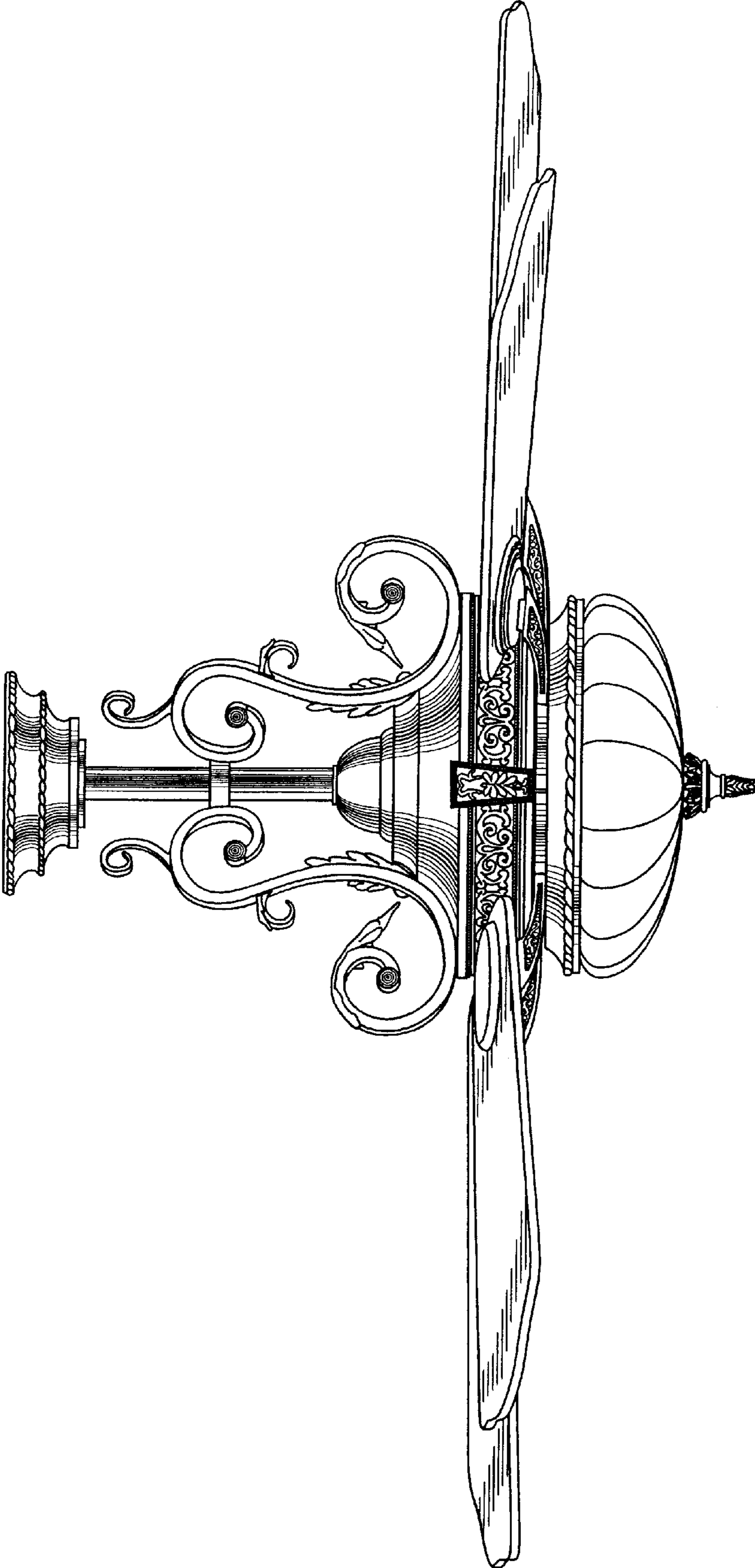


Fig. 5

UNITED STATES PATENT AND TRADEMARK OFFICE
CERTIFICATE OF CORRECTION

PATENT NO. : Des. 521,143 S
APPLICATION NO. : 29/227998
DATED : May 16, 2006
INVENTOR(S) : Miguel Flores

Page 1 of 1

It is certified that error appears in the above-identified patent and that said Letters Patent is hereby corrected as shown below:

On Title Page, Col. 1 Item 75 please change the name of the inventor "Miguel Florez" to --Miguel Flores--

On Title Page Col. 2 In the Description section last paragraph on the first page please change "sturcture" to --structure--

Signed and Sealed this

Twenty-eighth Day of November, 2006

A handwritten signature in black ink on a dotted background. The signature reads "Jon W. Dudas" in a cursive style.

JON W. DUDAS

Director of the United States Patent and Trademark Office