

US00D521142S

(12) **United States Design Patent**
Gerhardt et al.

(10) **Patent No.:** **US D521,142 S**

(45) **Date of Patent:** **** May 16, 2006**

(54) **CEILING FAN WITH A TEAR DROP SHAPED HOUSING**

(75) Inventors: **Claire M. Gerhardt**, Grand Prairie, TX (US); **Jeffrey A. Guyer**, Dallas, TX (US)

(73) Assignee: **Litex Industries Limited**, Grand Prairie, TX (US)

(**) Term: **14 Years**

(21) Appl. No.: **29/219,376**

(22) Filed: **Dec. 16, 2004**

(51) **LOC (8) Cl.** **23-04**

(52) **U.S. Cl.** **D23/377**

(58) **Field of Classification Search** D23/377,
D23/379, 385, 411, 413; 416/5

See application file for complete search history.

(56) **References Cited**

U.S. PATENT DOCUMENTS

D304,229 S * 10/1989 Rezek D23/377

D330,759 S * 11/1992 Rezek D23/377

D347,887 S * 6/1994 Liu D23/377

* cited by examiner

Primary Examiner—Lisa Lichtenstein

(74) *Attorney, Agent, or Firm*—Mark W. Handley; Chauza & Handley, L.L.P.

(57) **CLAIM**

The ornamental design for an ceiling fan with a tear drop shaped housing, as shown and described.

DESCRIPTION

FIG. 1 is a downward looking, frontal perspective view of a ceiling fan with a tear drop shaped housing embodying my design;

FIG. 2 is an upward looking, frontal perspective view of the ceiling fan with tear a drop shaped housing;

FIG. 3 is a top view of the ceiling fan with tear a drop shaped housing;

FIG. 4 is a front elevation view of the ceiling fan with a tear drop shaped housing, and is representative of a right side, left side and rear elevation views of the ceiling fan with a tear drop shaped housing; and,

FIG. 5 is a bottom view of the ceiling fan with a tear drop shaped housing.

1 Claim, 3 Drawing Sheets

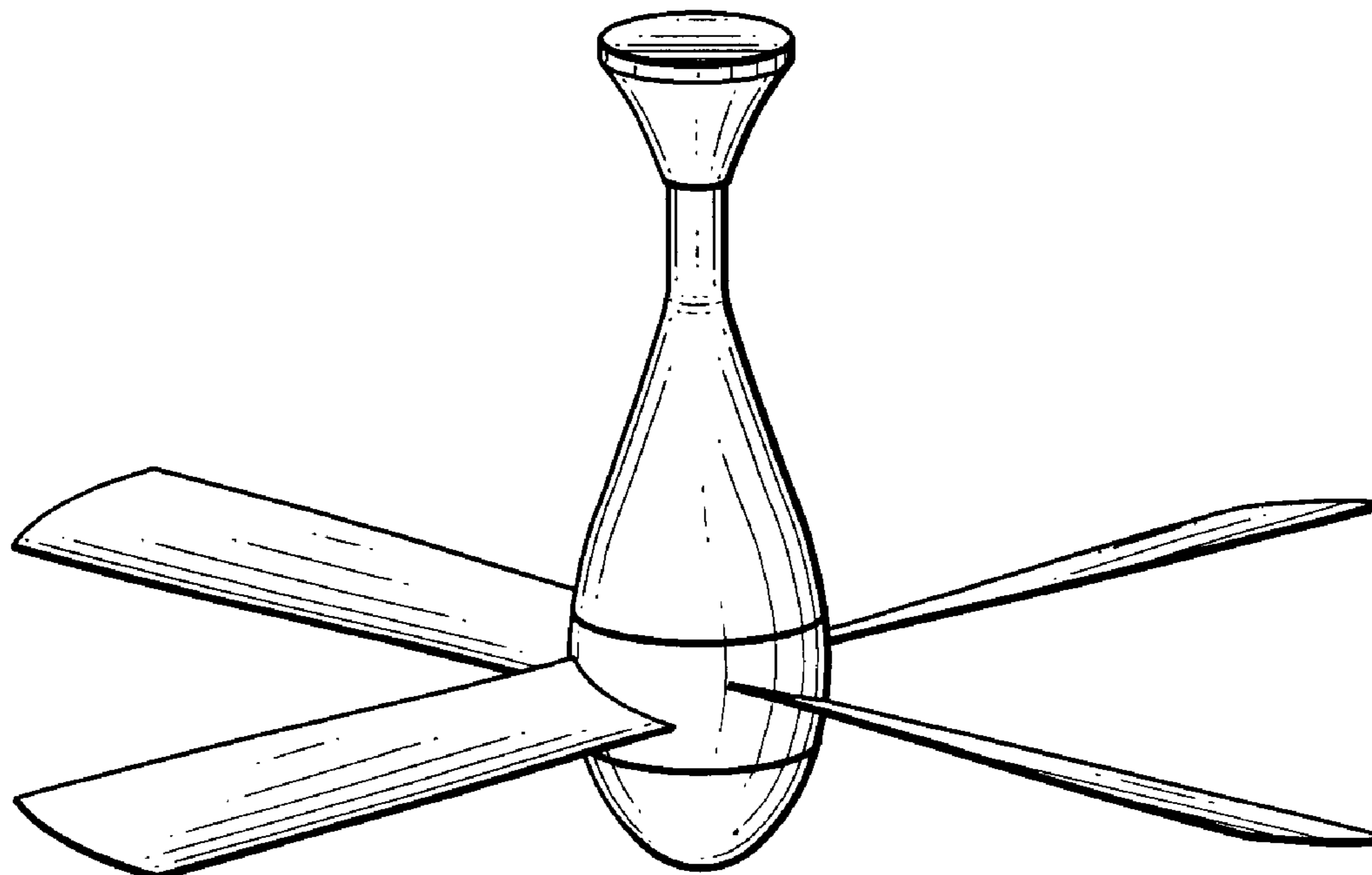


FIG. 1

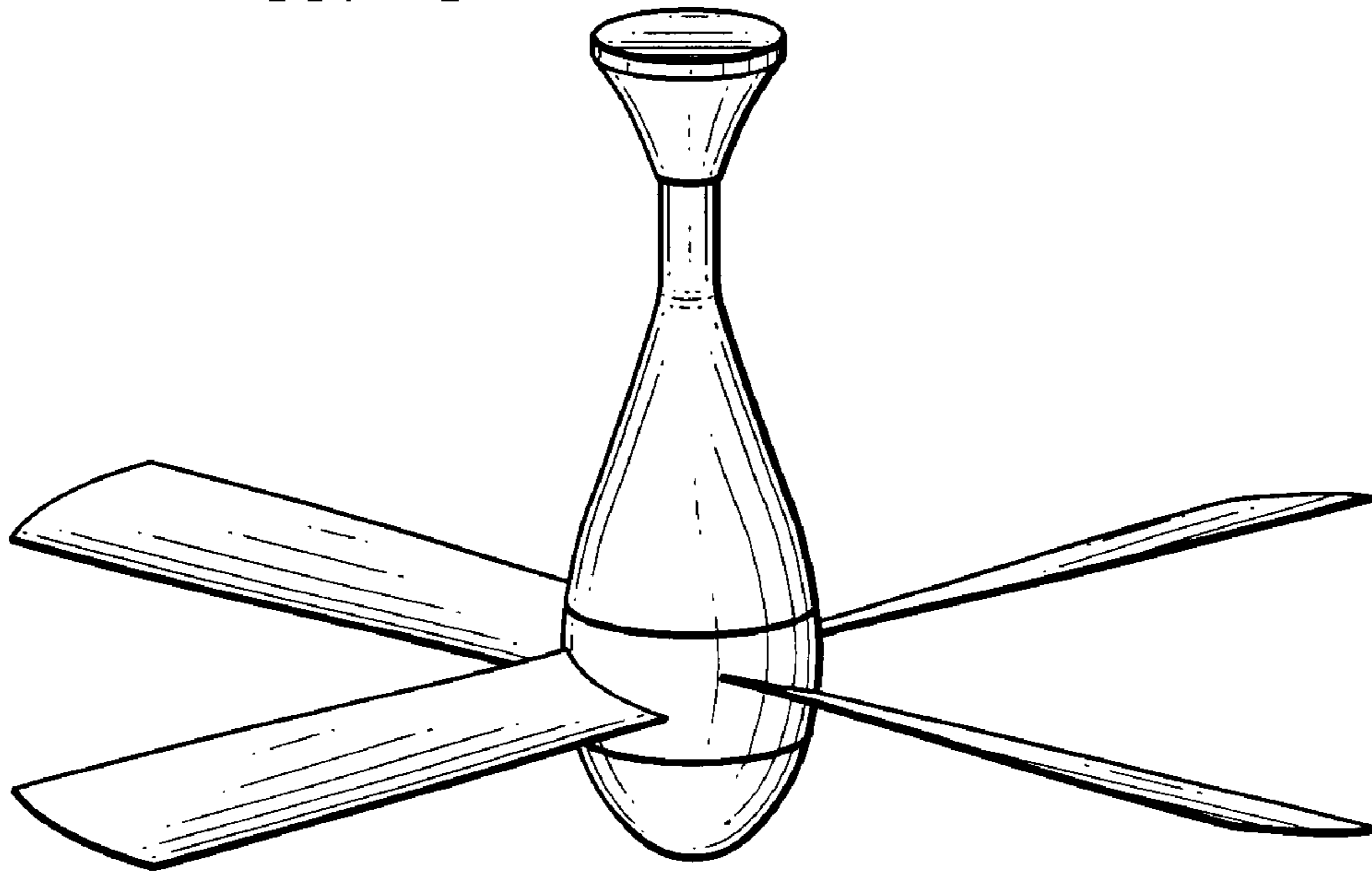


FIG. 2

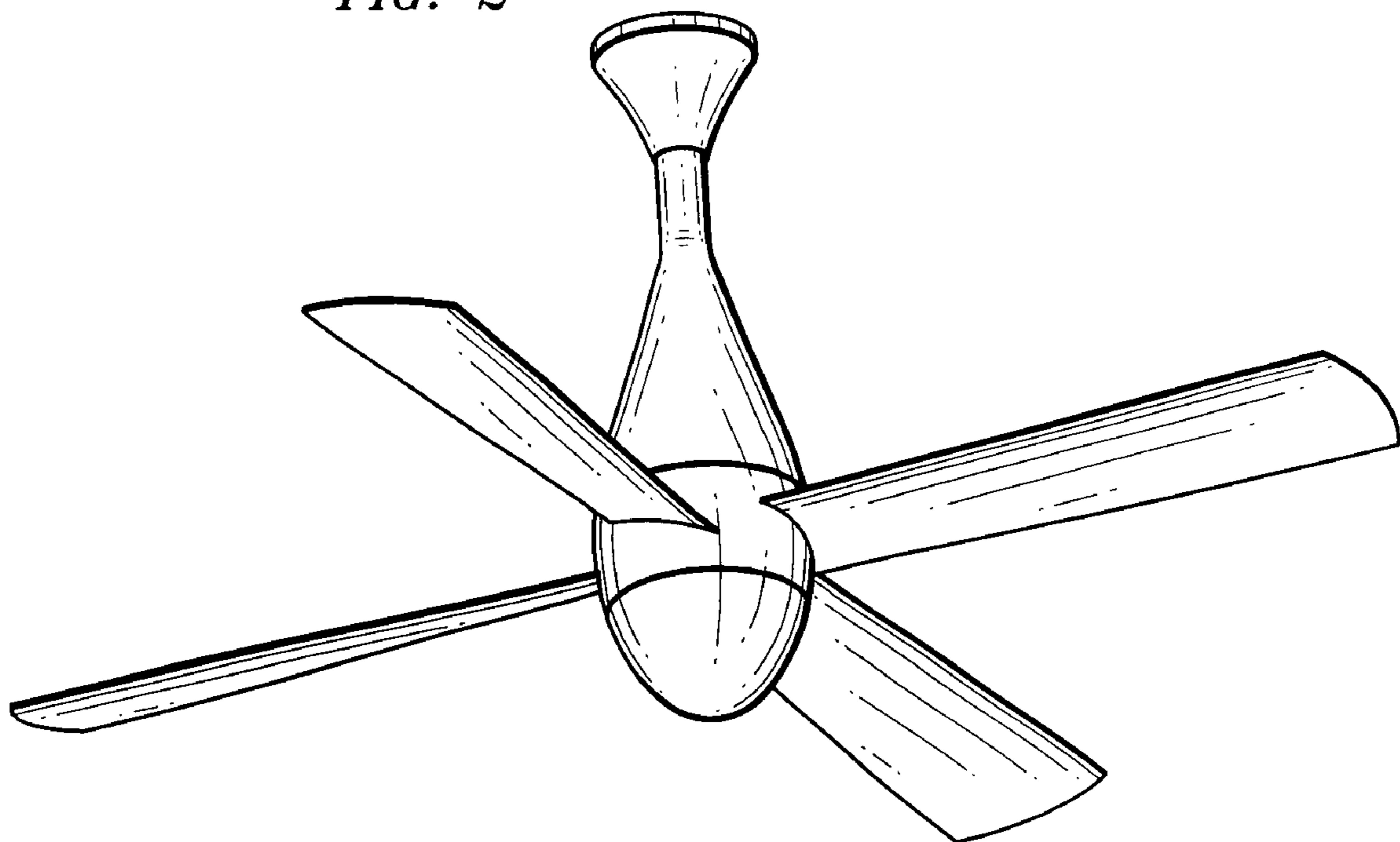


FIG. 3

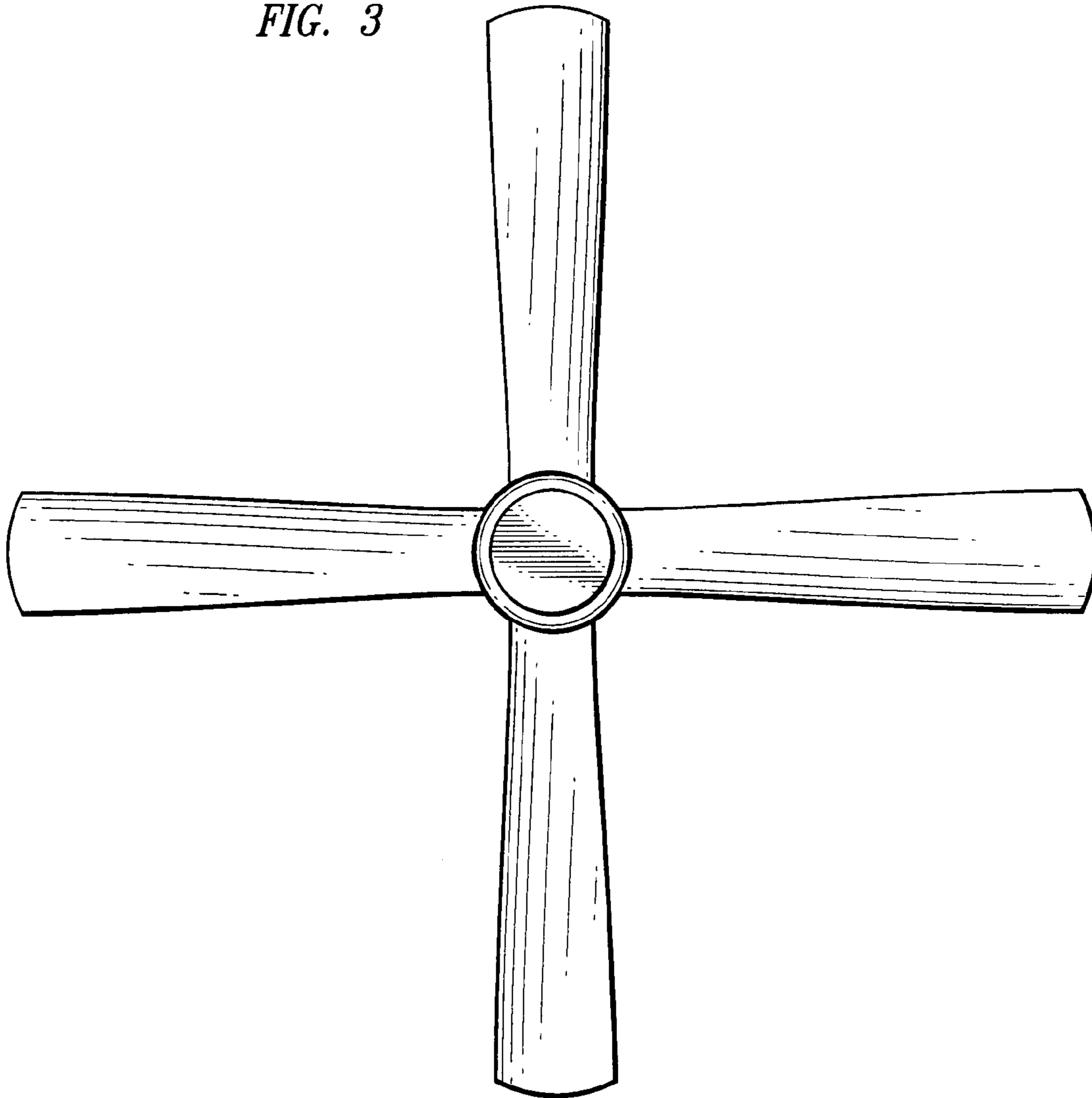


FIG. 4

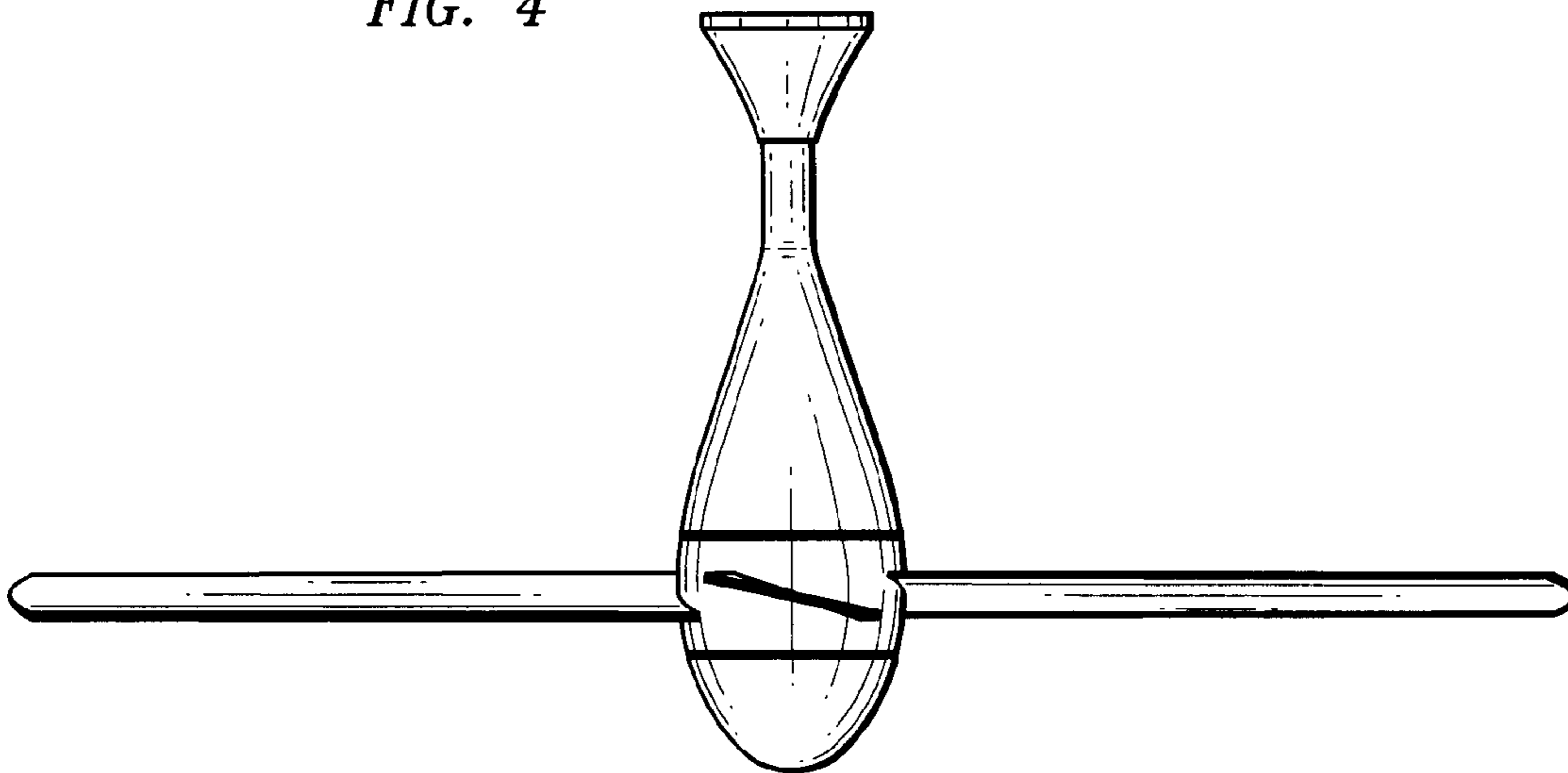


FIG. 5

