

US00D521141S

(12) **United States Design Patent**
Horng et al.

(10) **Patent No.:** **US D521,141 S**

(45) **Date of Patent:** **** May 16, 2006**

(54) **HEAT-DISSIPATION FAN HOUSING**

D487,800 S * 3/2004 Chen et al. D23/370
D492,986 S * 7/2004 Chiu et al. D23/370

(75) Inventors: **Alex Horng**, Kaohsiung (TW);
Mei-Chih Fang, Kaohsiung (TW)

* cited by examiner

(73) Assignee: **Sunonwealth Electric Machine Industry Co., Ltd.**, Kaohsiung (TW)

Primary Examiner—Brian N Vinson
(74) *Attorney, Agent, or Firm*—Bacon & Thomas, PLLC

(**) Term: **14 Years**

(57) **CLAIM**

(21) Appl. No.: **29/206,517**

The ornamental design for heat-dissipation fan housing, as shown in the accompanying drawings.

(22) Filed: **Jun. 2, 2004**

DESCRIPTION

(51) **LOC (8) Cl.** **23-03**

FIG. 1 is a perspective view of the heat-dissipation fan housing in accordance with the embodiment of the claimed design;

(52) **U.S. Cl.** **D23/370**

FIG. 2 is a right side elevational view thereof;

(58) **Field of Classification Search** D23/370,
D23/379; 415/176–178, 211.2; 361/694–697;
165/80.3, 121–122

FIG. 3 is a top plan view thereof;

FIG. 4 is a front elevational view thereof;

FIG. 5 is a bottom plan view thereof;

FIG. 6 is a left side elevational view thereof;

FIG. 7 is a rear elevational view thereof; and

FIG. 8 is a partially cut-away perspective view thereof, taken from an angle rotated 90° relative to the angle of FIG. 1; and,

See application file for complete search history.

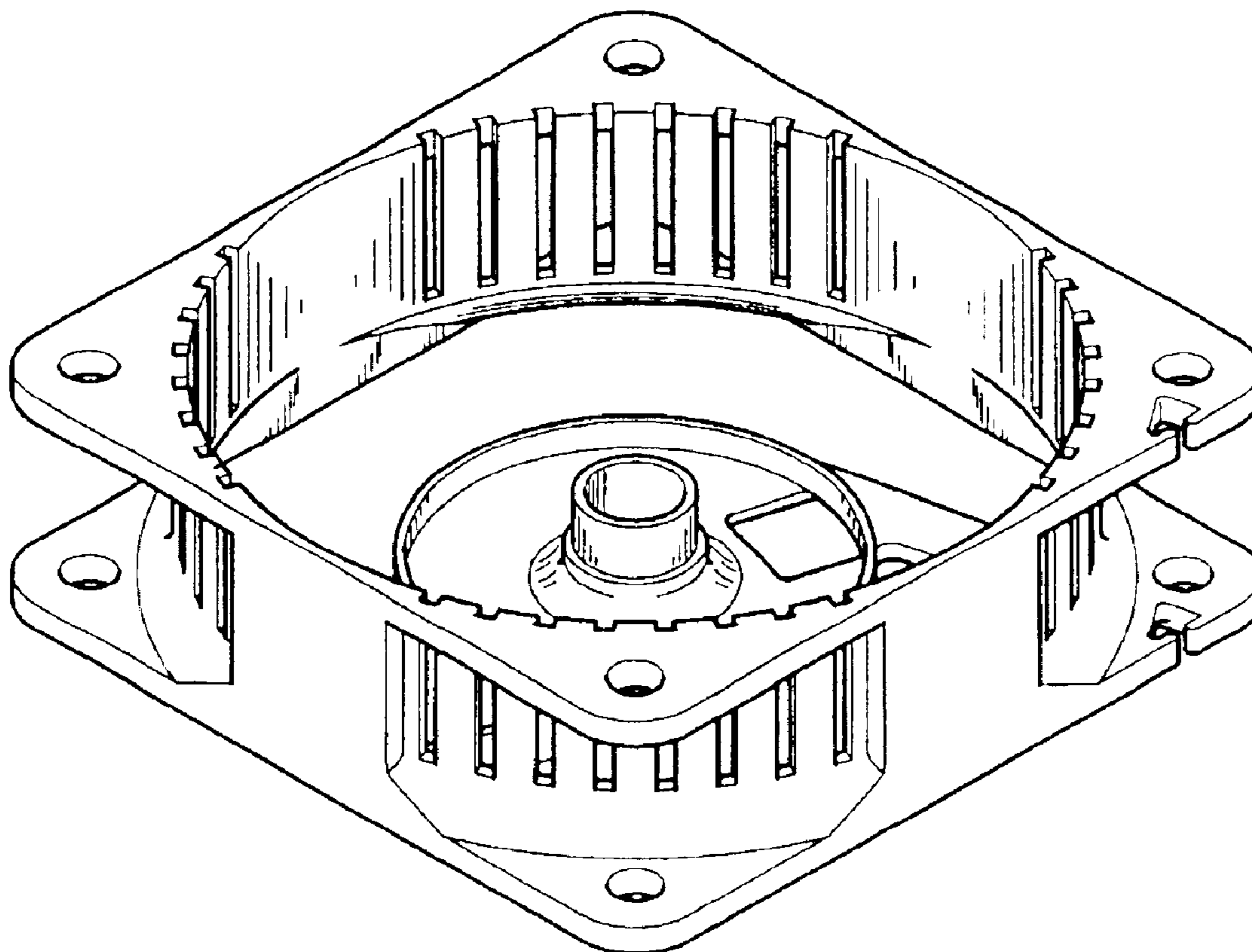
FIG. 9 is a partially cut-away perspective view thereof, taken from an angle rotated 270° from the angle of FIG. 1.

(56) **References Cited**

U.S. PATENT DOCUMENTS

D297,761 S * 9/1988 Shiraki D23/379
5,409,352 A * 4/1995 Lin 165/80.3
6,493,225 B1 * 12/2002 Chuang et al. 361/695

1 Claim, 5 Drawing Sheets



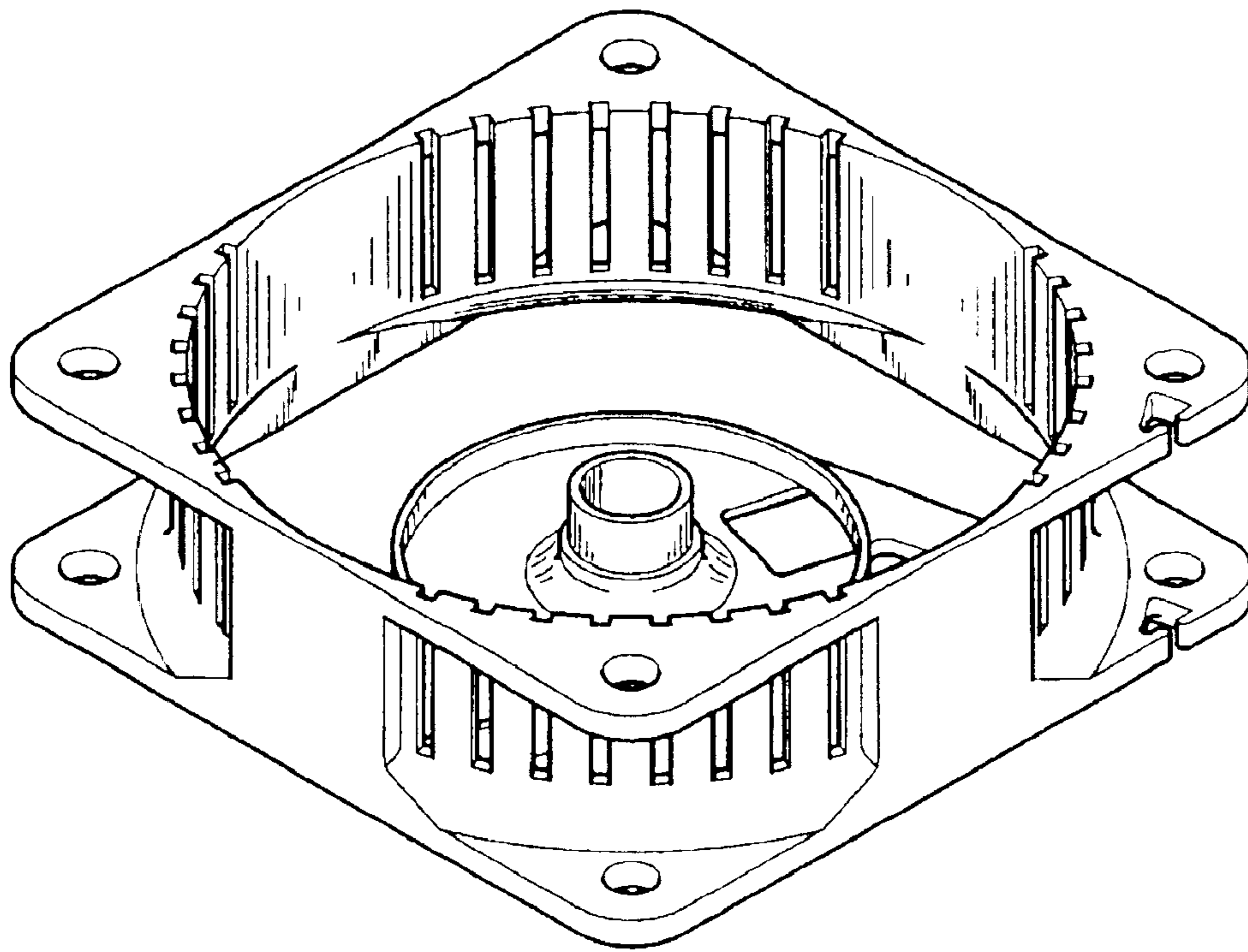


FIG. 1

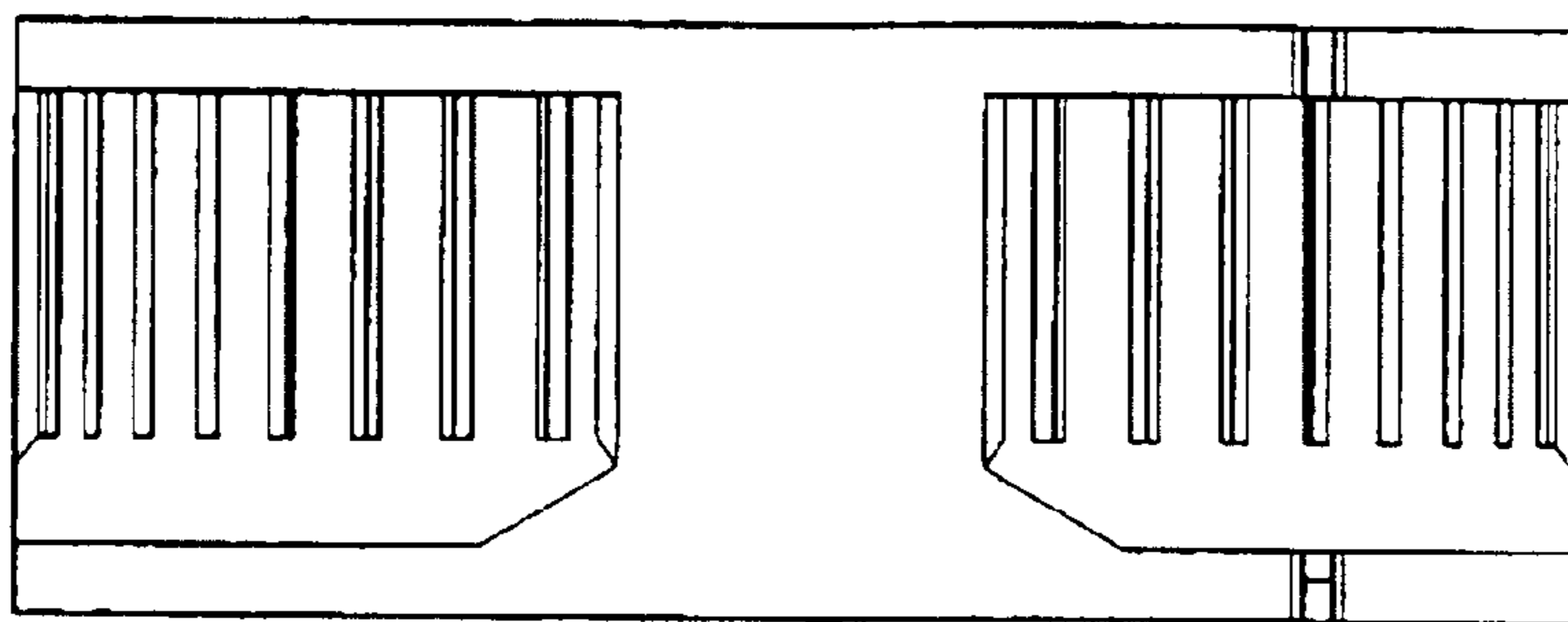


FIG. 2

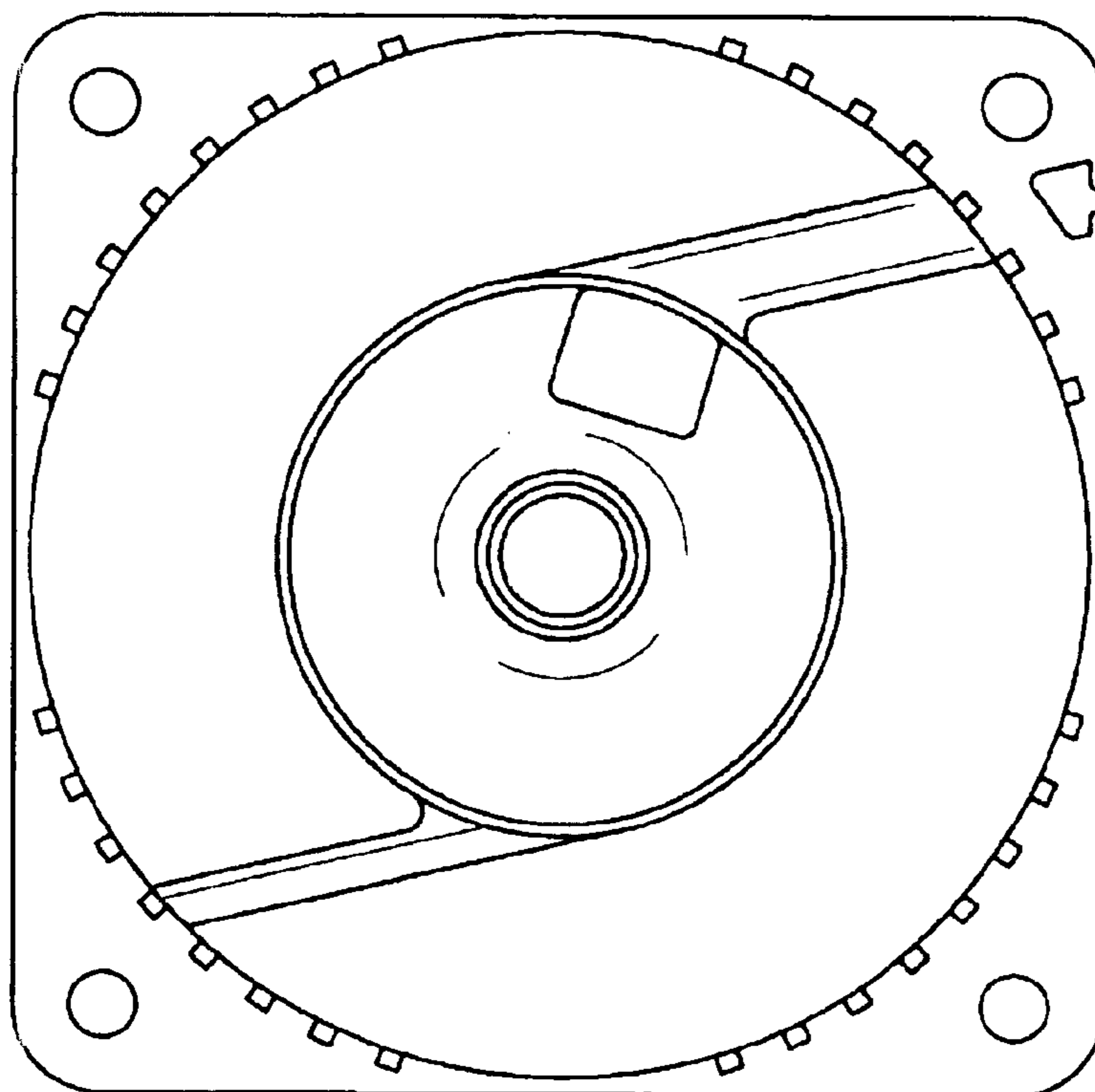


FIG. 3

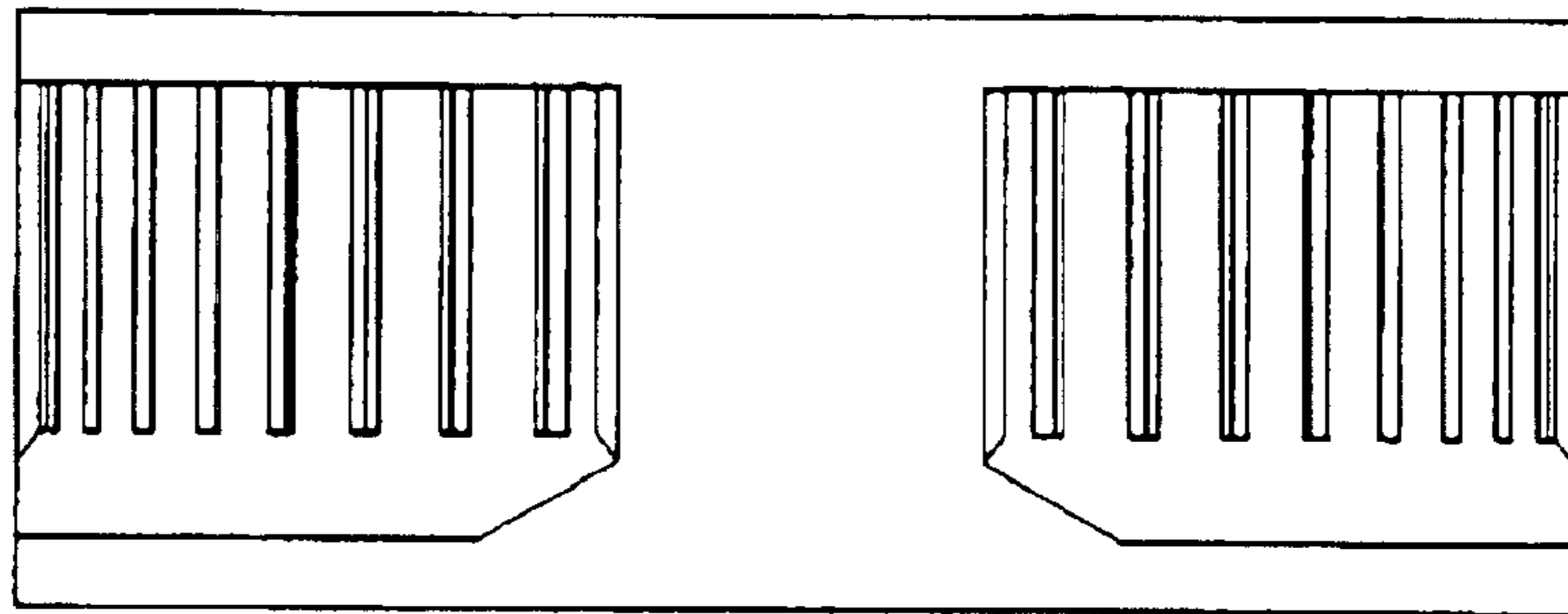


FIG. 4

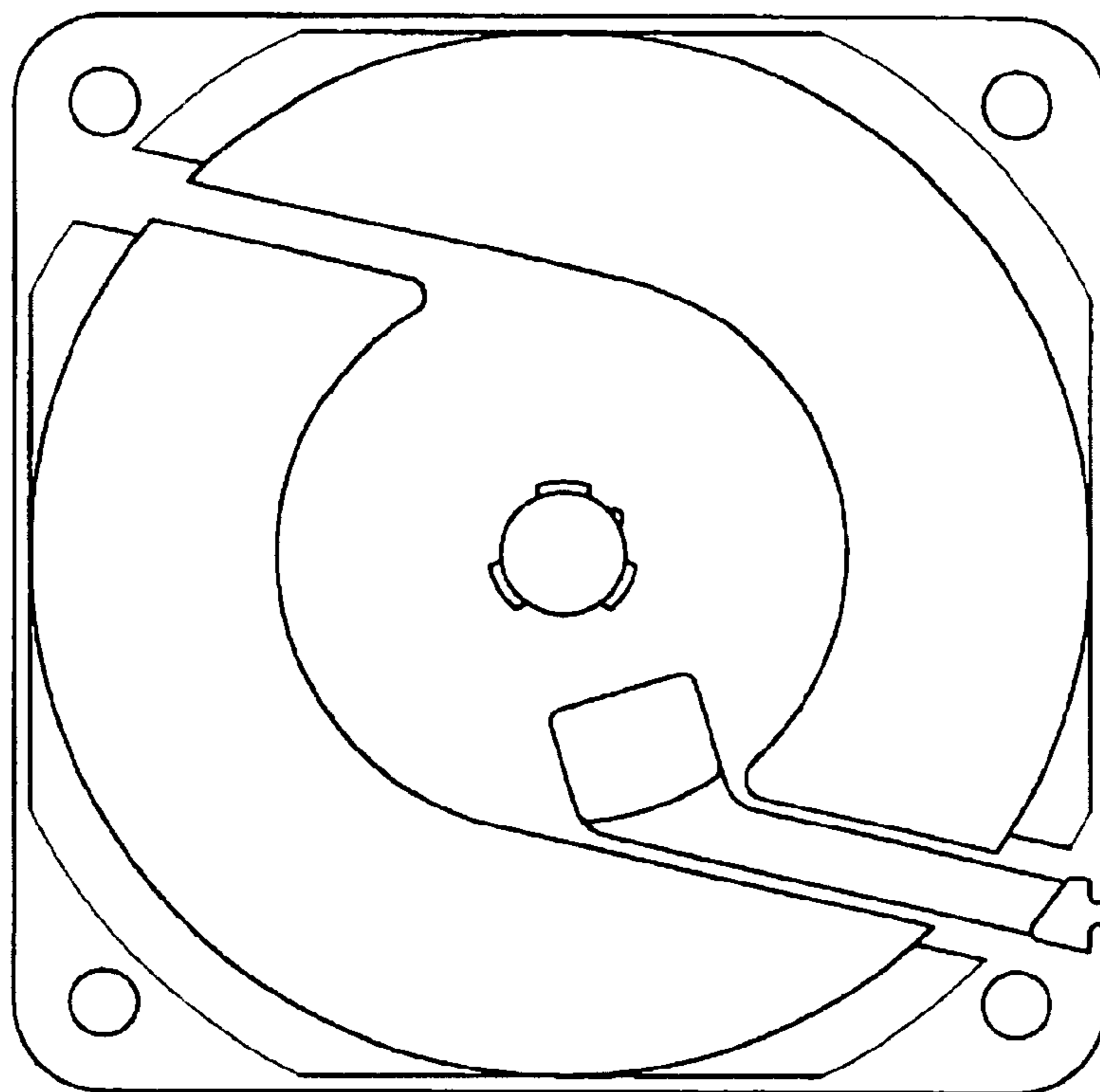


FIG. 5

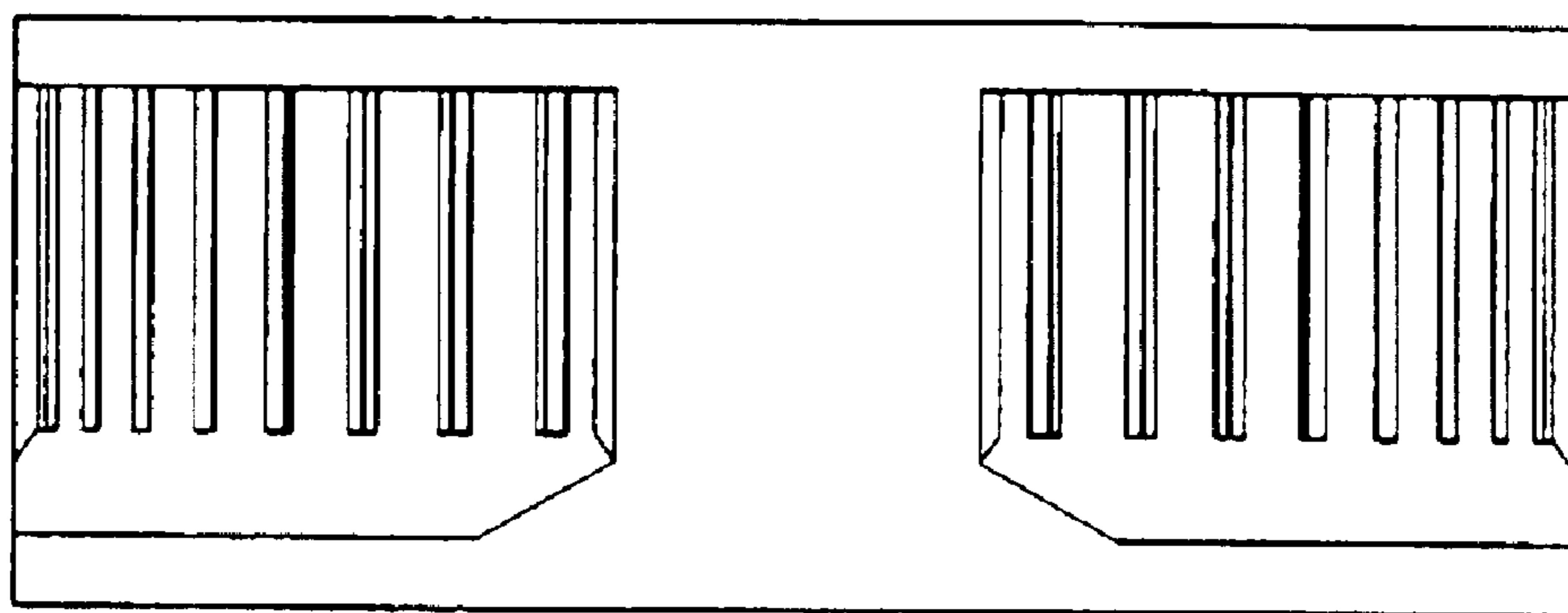


FIG. 6

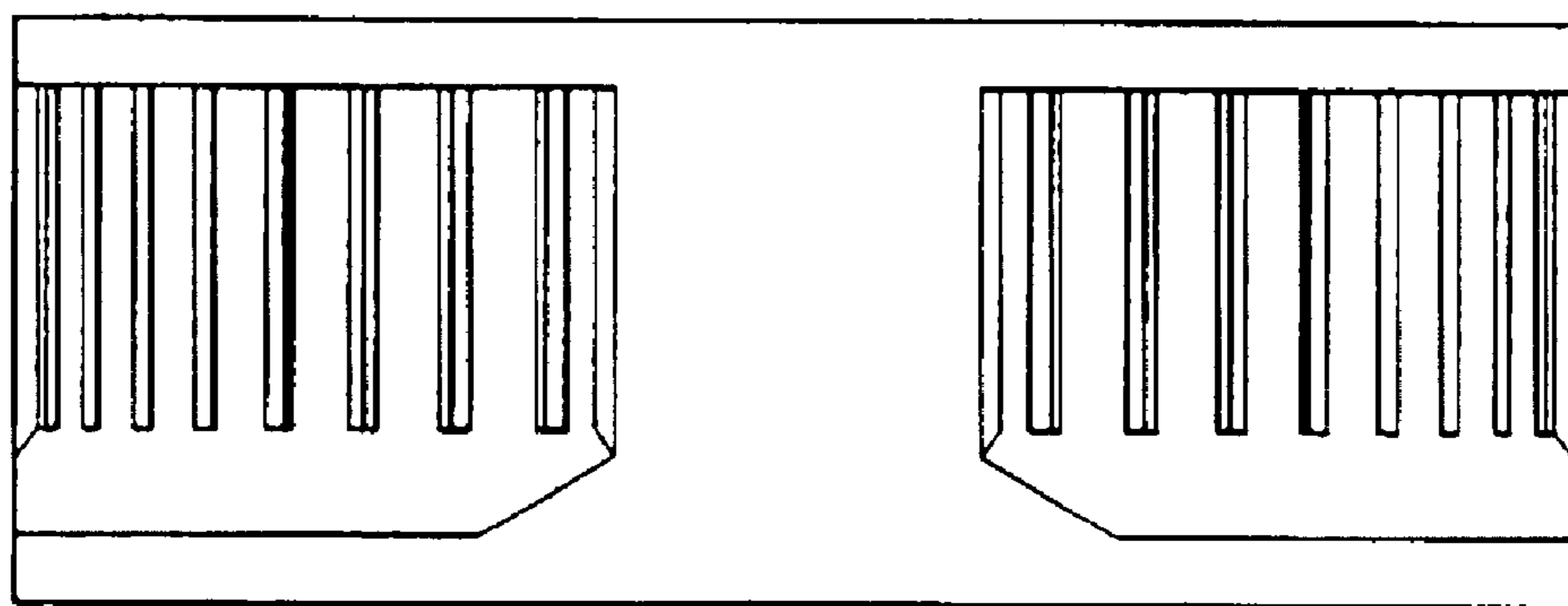


FIG. 7

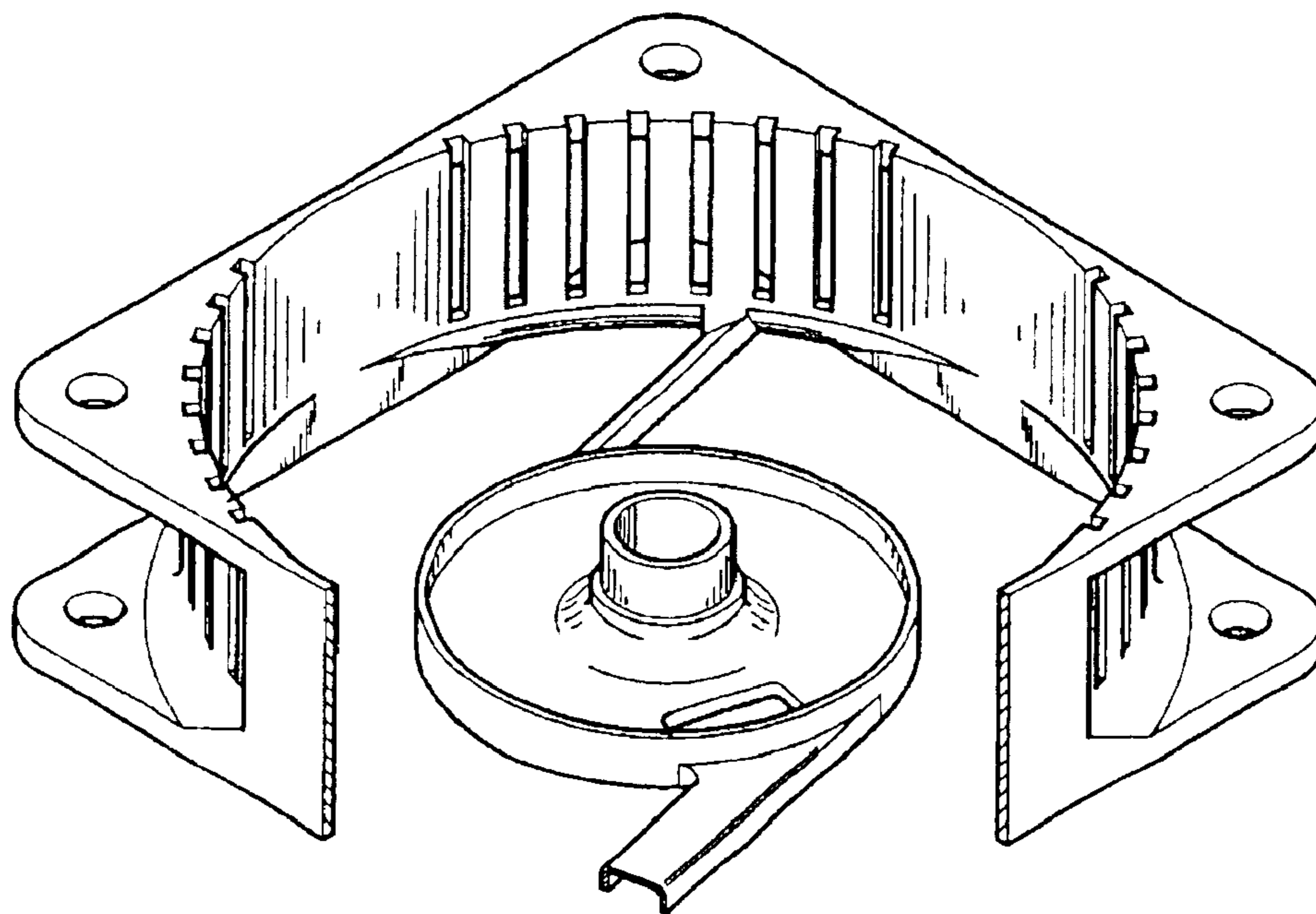


FIG. 8

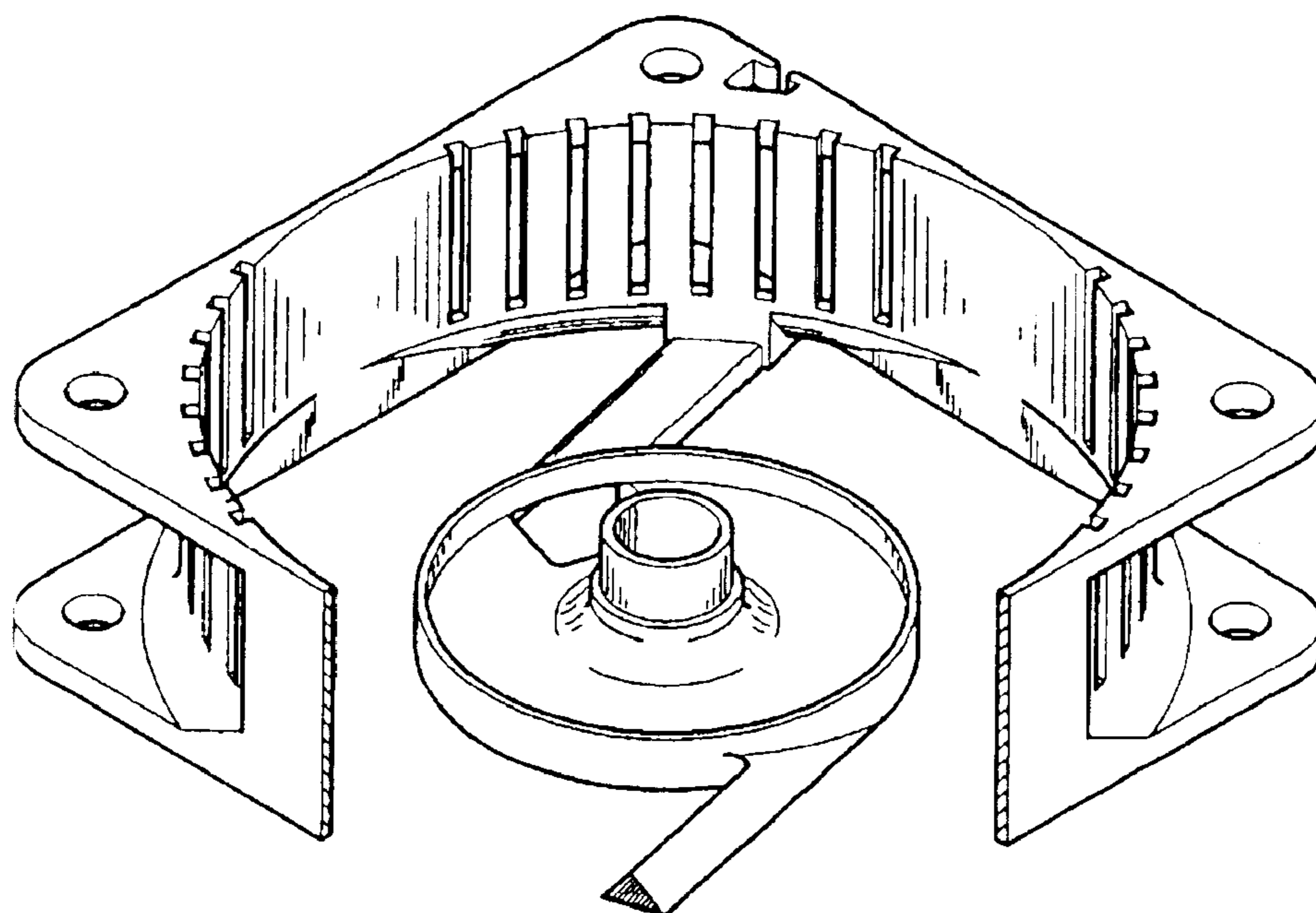


FIG. 9