

US00D521137S

(12) **United States Design Patent**
Khalil

(10) **Patent No.:** **US D521,137 S**

(45) **Date of Patent:** **** May 16, 2006**

(54) **FILTER**

(75) Inventor: **David Khalil**, Highland Heights, OH
(US)

(73) Assignee: **Royal Appliance Mfg. Co.**,
Glenwillow, OH (US)

(**) Term: **14 Years**

(21) Appl. No.: **29/221,441**

(22) Filed: **Jan. 14, 2005**

(51) **LOC (8) Cl.** **23-01**

(52) **U.S. Cl.** **D23/365; D32/31**

(58) **Field of Classification Search** D23/209,
D23/365; D32/30, 31; 55/521; 210/497.01,
210/493.1, 493.5, 497.3, 493.2

See application file for complete search history.

(56) **References Cited**

U.S. PATENT DOCUMENTS

4,243,397	A	1/1981	Tokar et al.	
4,882,055	A	11/1989	Stamstad	
4,961,847	A	10/1990	Amr	
5,250,179	A	10/1993	Spearman	
5,267,371	A	12/1993	Soler et al.	
5,603,740	A	2/1997	Roy	
5,685,887	A	11/1997	Mochida	
5,753,071	A	5/1998	Spencer	
5,855,634	A	* 1/1999	Berfield	55/472
5,972,059	A	* 10/1999	Morgan	55/336
6,026,540	A	2/2000	Wright et al.	
D425,270	S	5/2000	Zahuranec	
6,070,291	A	6/2000	Bair et al.	
D441,155	S	4/2001	Thur et al.	

6,260,234	B1	7/2001	Wright et al.	
D450,826	S	* 11/2001	Song	D23/365
6,340,375	B1	* 1/2002	DePietro et al.	55/385.3
6,341,404	B1	1/2002	Salo et al.	
D453,403	S	2/2002	Stephens et al.	
6,375,696	B1	4/2002	Wegelin et al.	
D494,329	S	8/2004	Thur et al.	
D495,105	S	* 8/2004	Baldinger et al.	D32/31
6,833,023	B1	* 12/2004	Vandenberghe et al.	95/268

OTHER PUBLICATIONS

Three (3) sheets of photographs of Filter Assembly of General Electric Company, Circa 2003.

One (1) sheet of photographs of Filter Assembly of Bissell Homecare, Inc., Circa 2003.

* cited by examiner

Primary Examiner—Robin Webster

(74) *Attorney, Agent, or Firm*—Fay, Sharpe, Fagan, Minnich & McKee, LLP

(57) **CLAIM**

The ornamental design for a filter, as shown and described.

DESCRIPTION

FIG. 1 is a perspective view from above of a filter showing my new design;

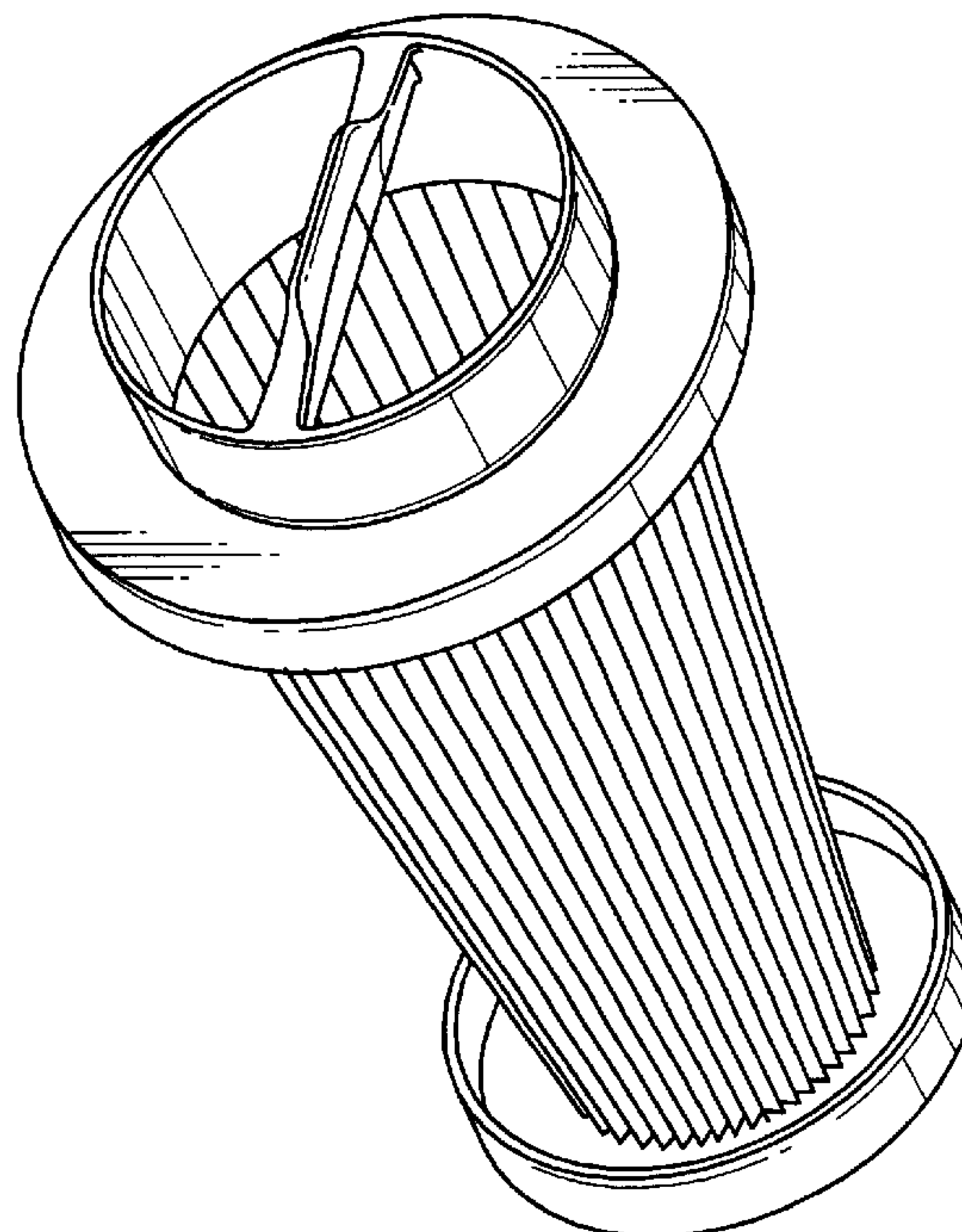
FIG. 2 is a right side elevational view thereof, with the left side elevational view being a mirror image thereof;

FIG. 3 is a front elevational view thereof, with a rear elevational view being a mirror image thereof;

FIG. 4 is a top plan view thereof; and,

FIG. 5 is a bottom plan view thereof.

1 Claim, 2 Drawing Sheets



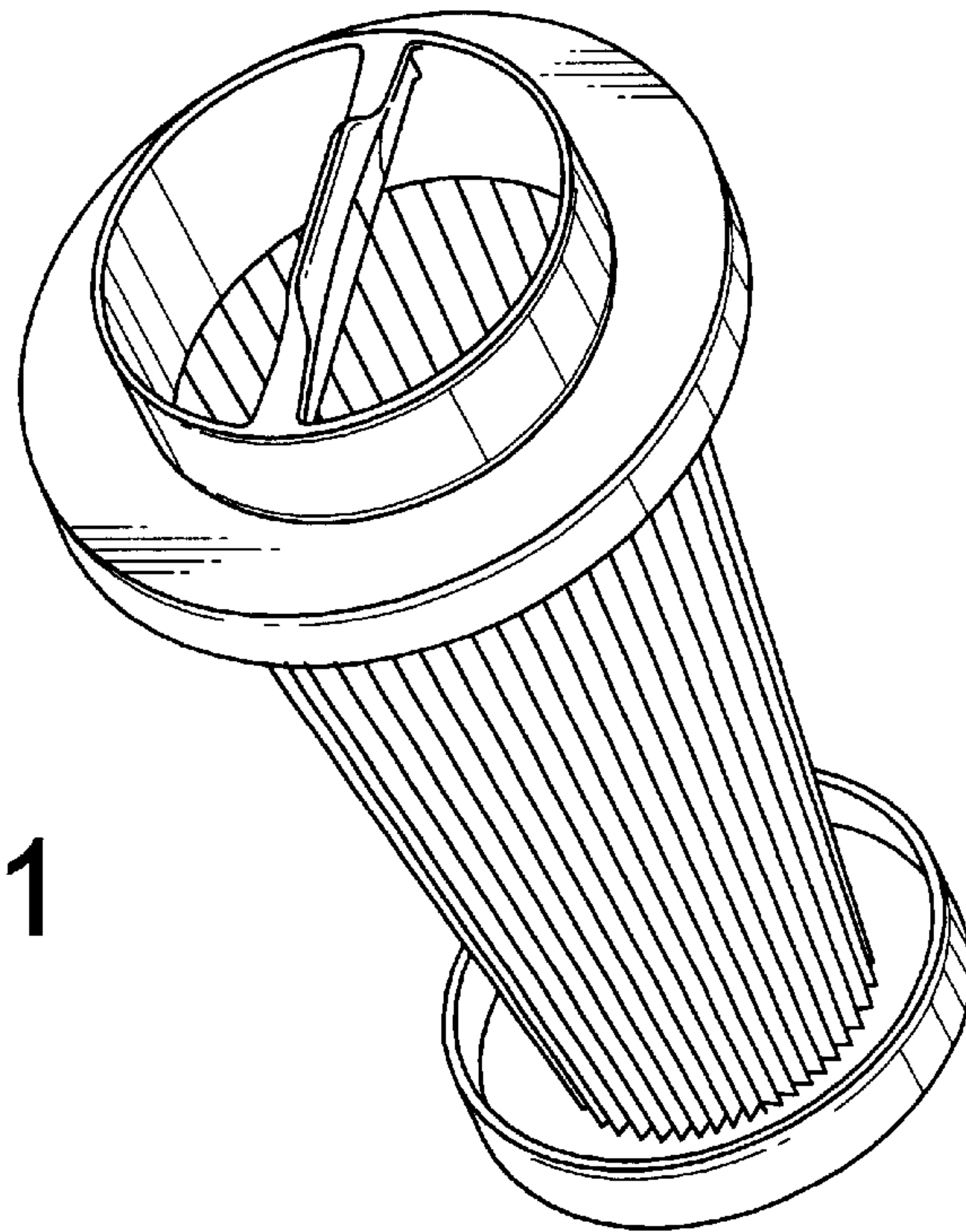


FIG. 1

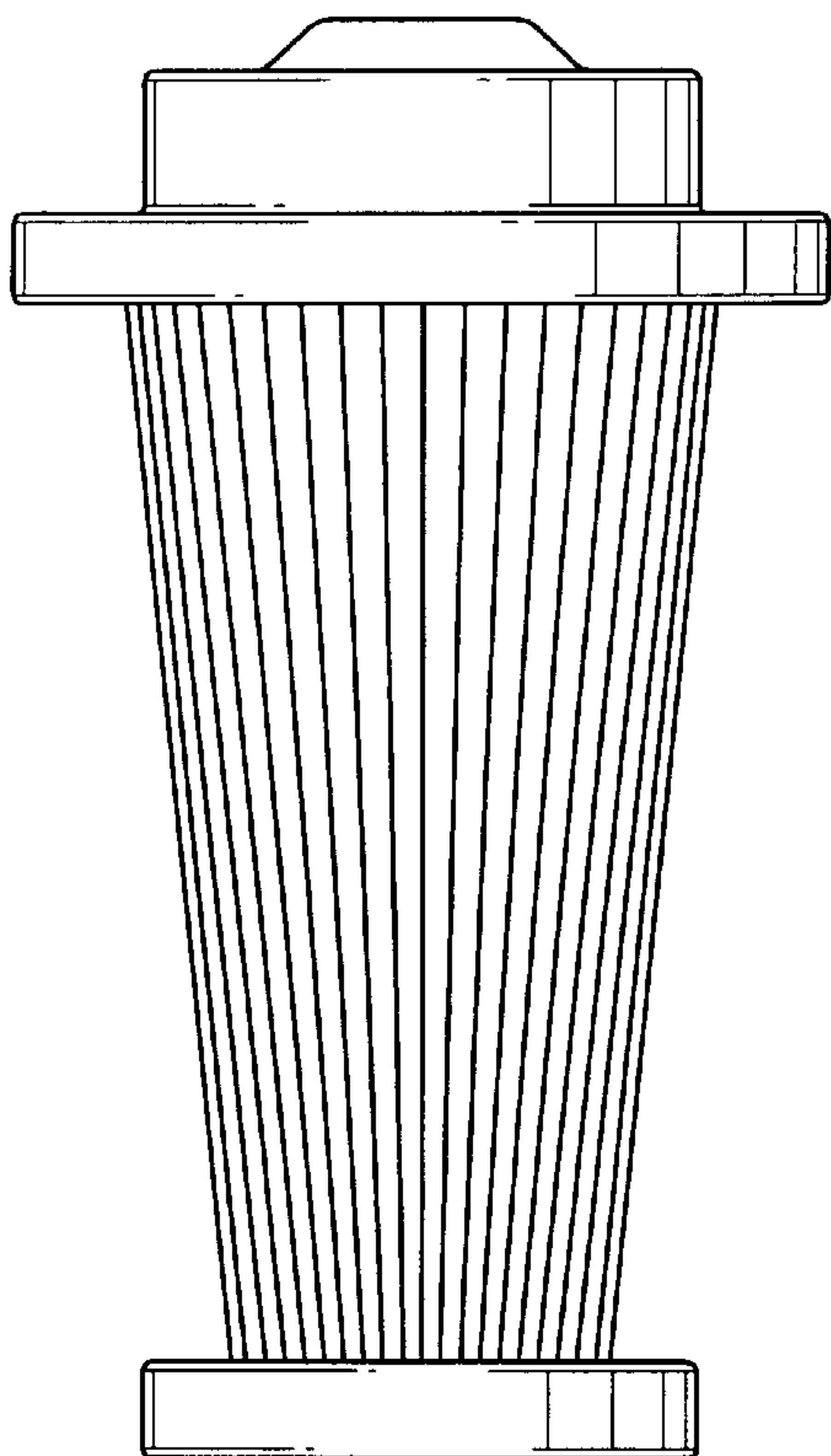


FIG. 2

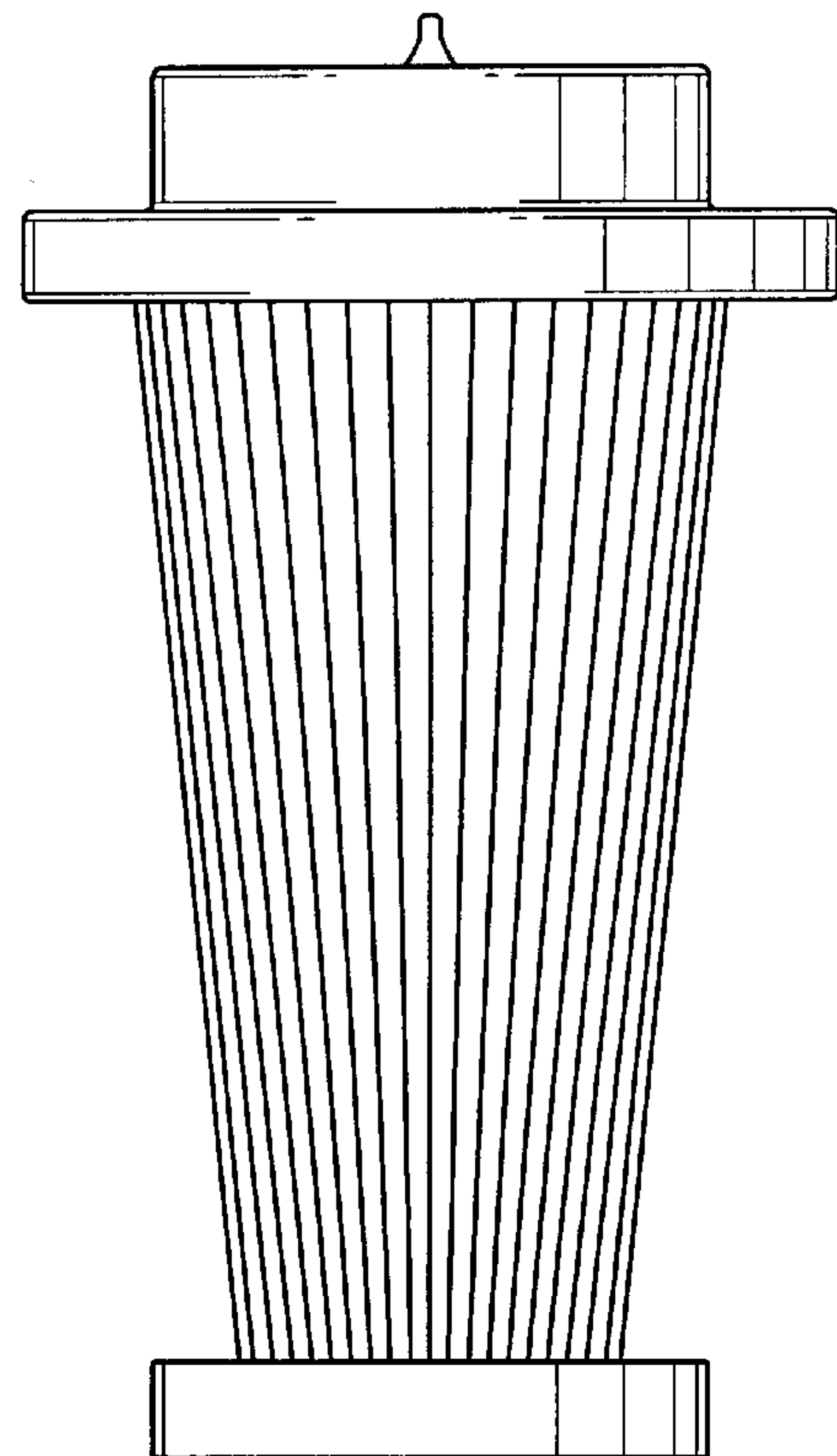


FIG. 3

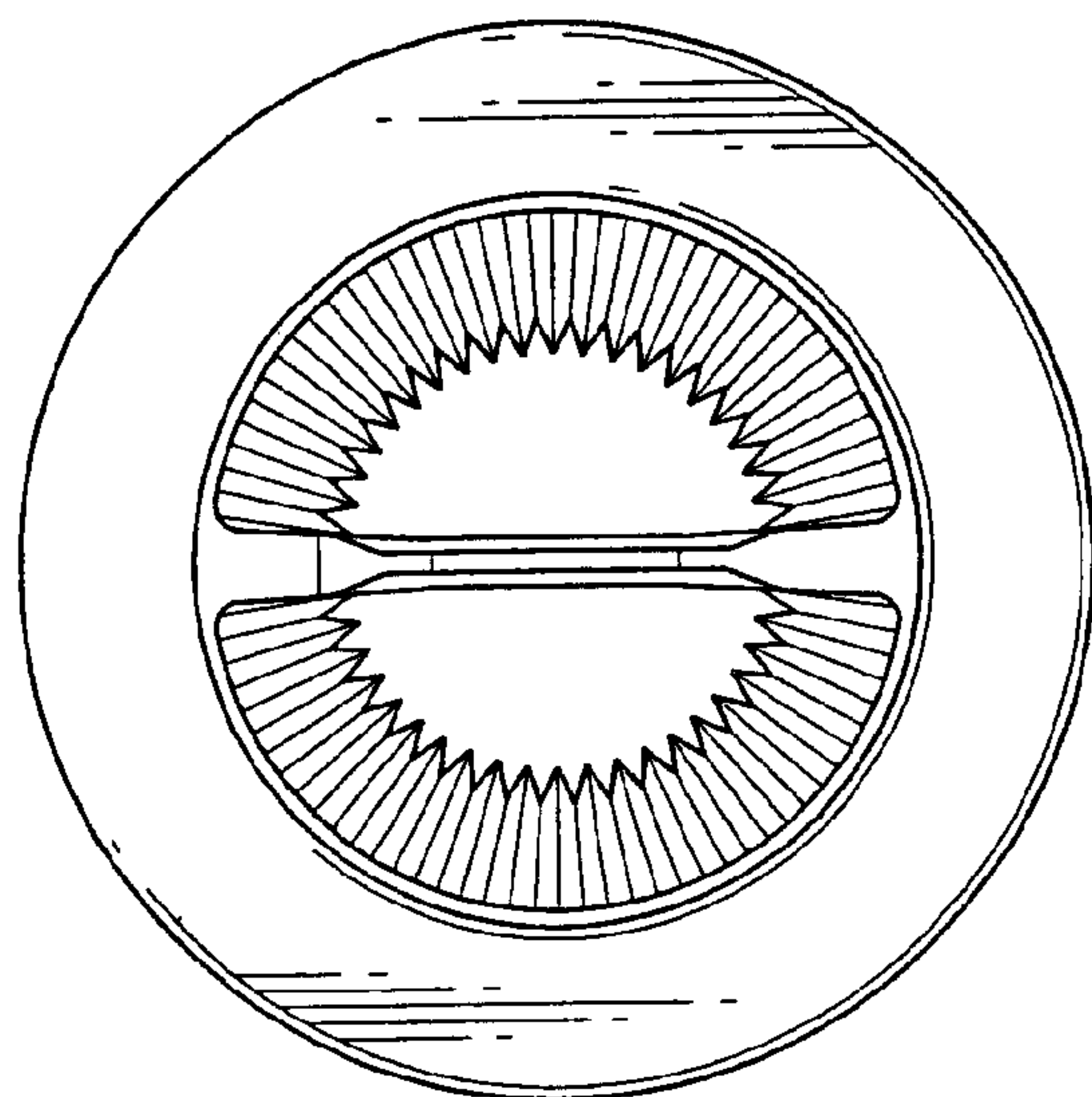


FIG. 4

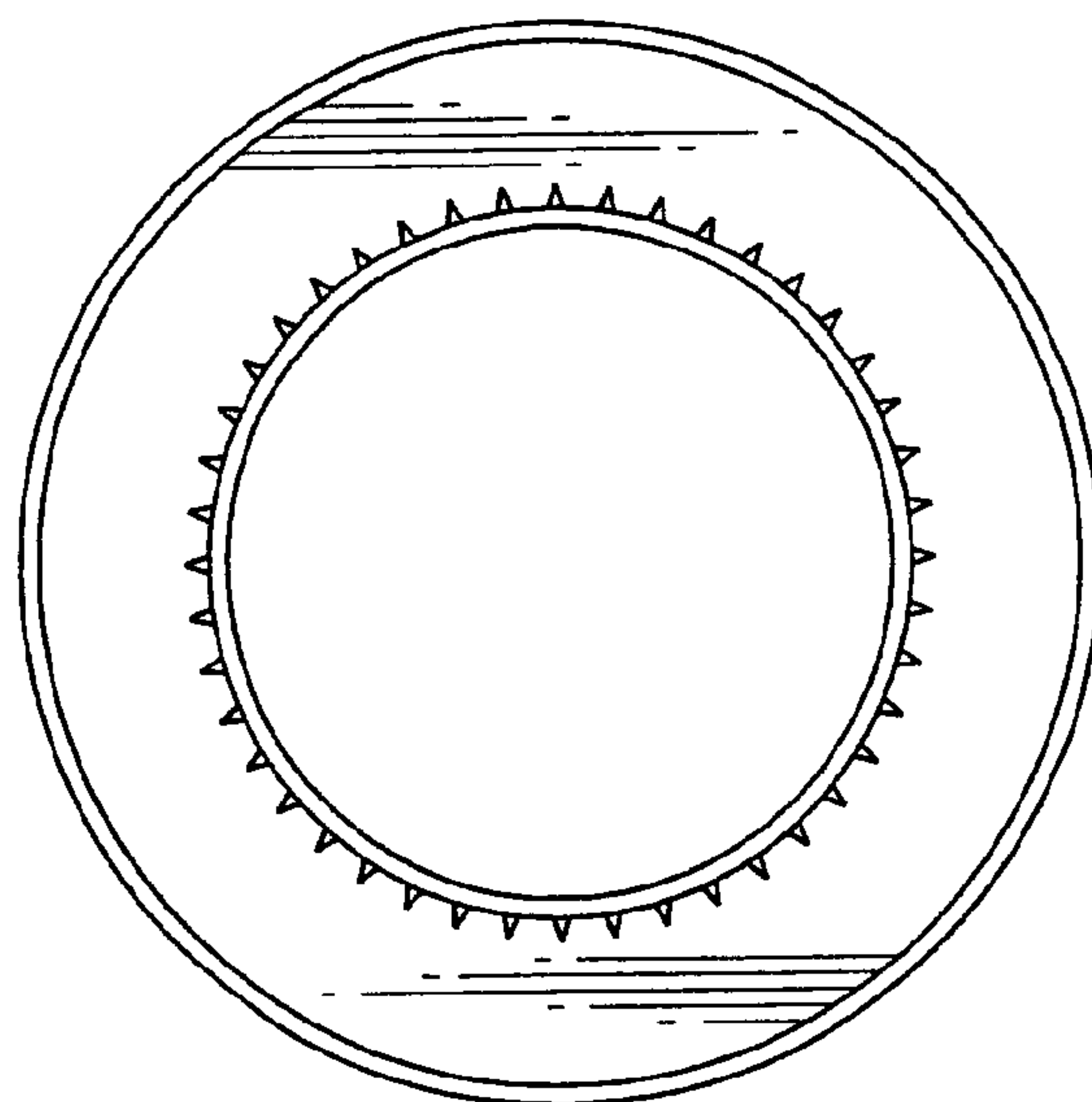


FIG. 5