



US00D521133S

(12) **United States Design Patent**  
**Walker**

(10) **Patent No.:** **US D521,133 S**

(45) **Date of Patent:** **\*\* May 16, 2006**

(54) **BIOMASS STOVE**

D426,291 S \* 6/2000 Brunner ..... D23/342

(75) Inventor: **Robert A. Walker**, Ramsey, MN (US)

**OTHER PUBLICATIONS**

(73) Assignee: **Bixby Energy Systems, Inc.**, Rogers, MN (US)

Countryside Stoves, American Energy Systems, Inc., 2002  
Condor, Fireplace and Stone Co., Aug. 2003.

(\*\*) Term: **14 Years**

Stay Warm Through Winter, Mills Fleet Farm, Sep. 2002  
Home Heating Guide, Mills Fleet Farm, Sep. 2003.

(21) Appl. No.: **29/179,835**

\* cited by examiner

(22) Filed: **Apr. 16, 2003**

*Primary Examiner*—Brian N Vinson

(51) **LOC (8) Cl.** ..... **23-03**

(52) **U.S. Cl.** ..... **D23/342**

(58) **Field of Classification Search** ..... D23/342-344,  
D23/350; 126/73, 77, 500, 512, 66-67, 544

See application file for complete search history.

(57) **CLAIM**

I claim the ornamental design of a biomass stove, as shown and described.

(56) **References Cited**

**DESCRIPTION**

**U.S. PATENT DOCUMENTS**

4,325,310 A	4/1982	Babbage	
D292,121 S	* 9/1987	Lee	..... D23/342
5,359,945 A	11/1994	Buckner et al.	
D359,345 S	* 6/1995	Schroeter	..... D23/342
D362,494 S	* 9/1995	Riener	..... D23/343
D410,999 S	* 6/1999	Henninge	..... D23/342
5,983,885 A	11/1999	Jarvi	

FIG. 1 is a perspective view of the biomass stove showing my new design;

FIG. 2 is front elevational view thereof;

FIG. 3 is a side elevational view of the right side thereof;

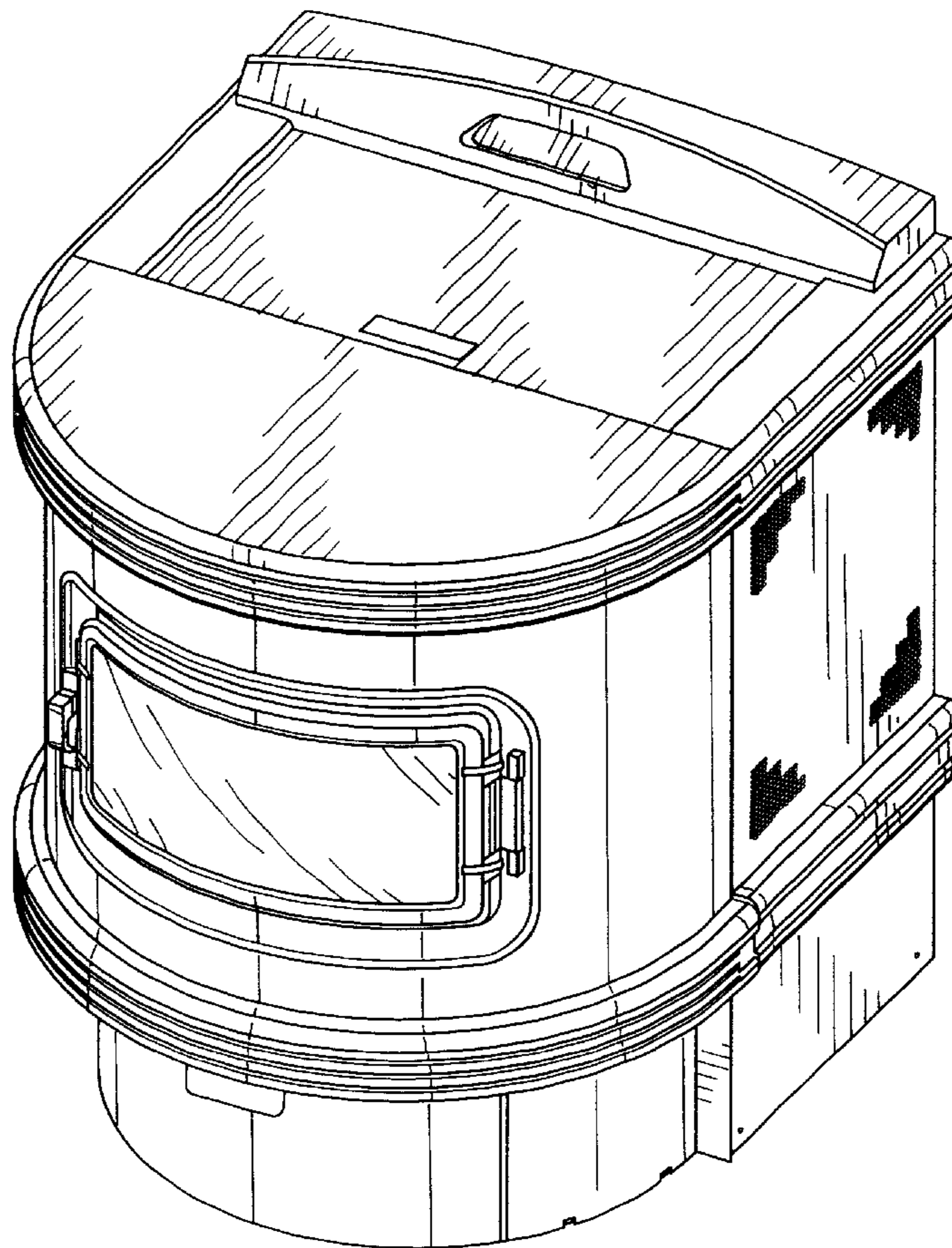
FIG. 4 is a side elevational view of the left side thereof;

FIG. 5 is a top plan view thereof;

FIG. 6 is a bottom plan view thereof; and,

FIG. 7 is a rear elevational view thereof.

**1 Claim, 7 Drawing Sheets**



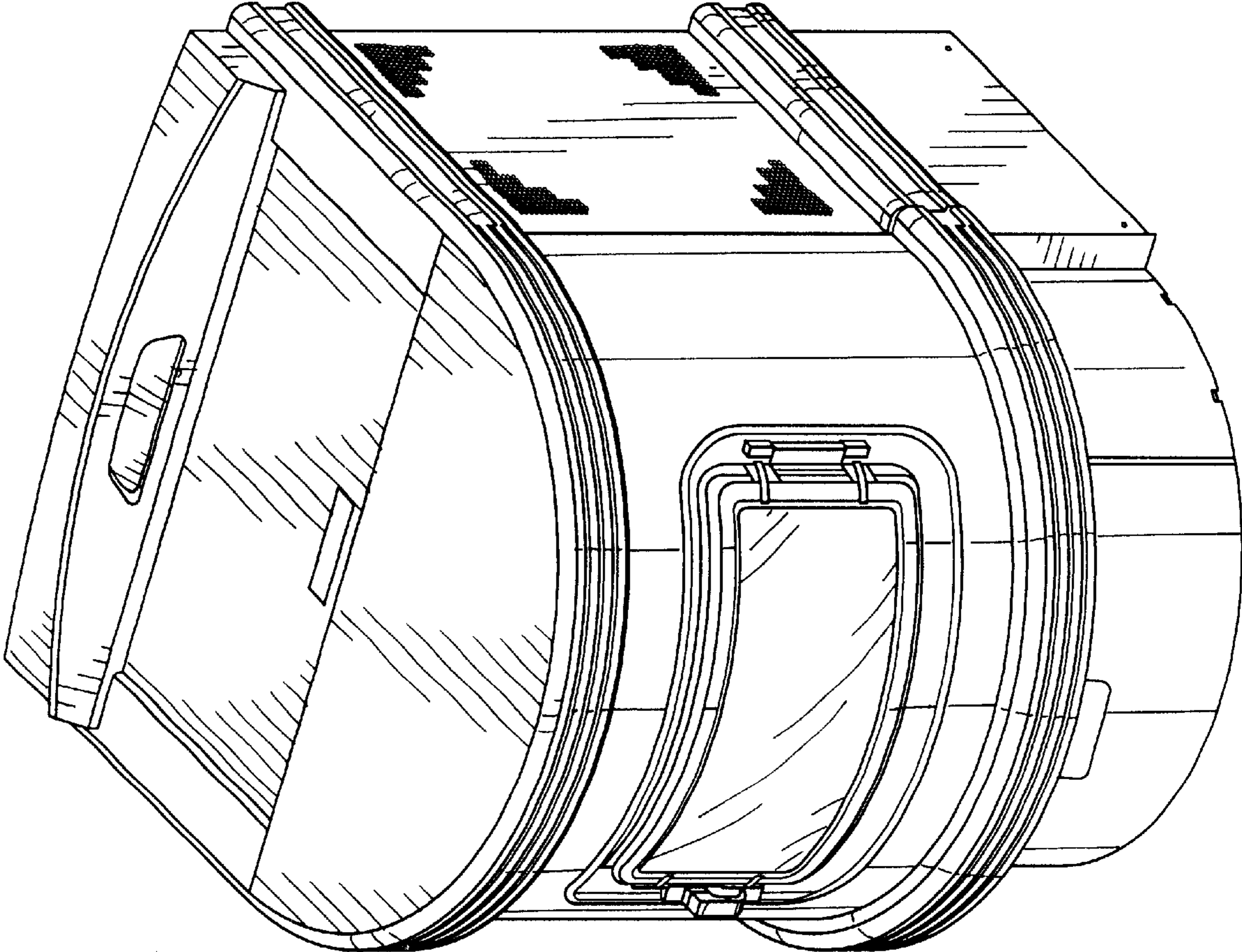


FIG. 1

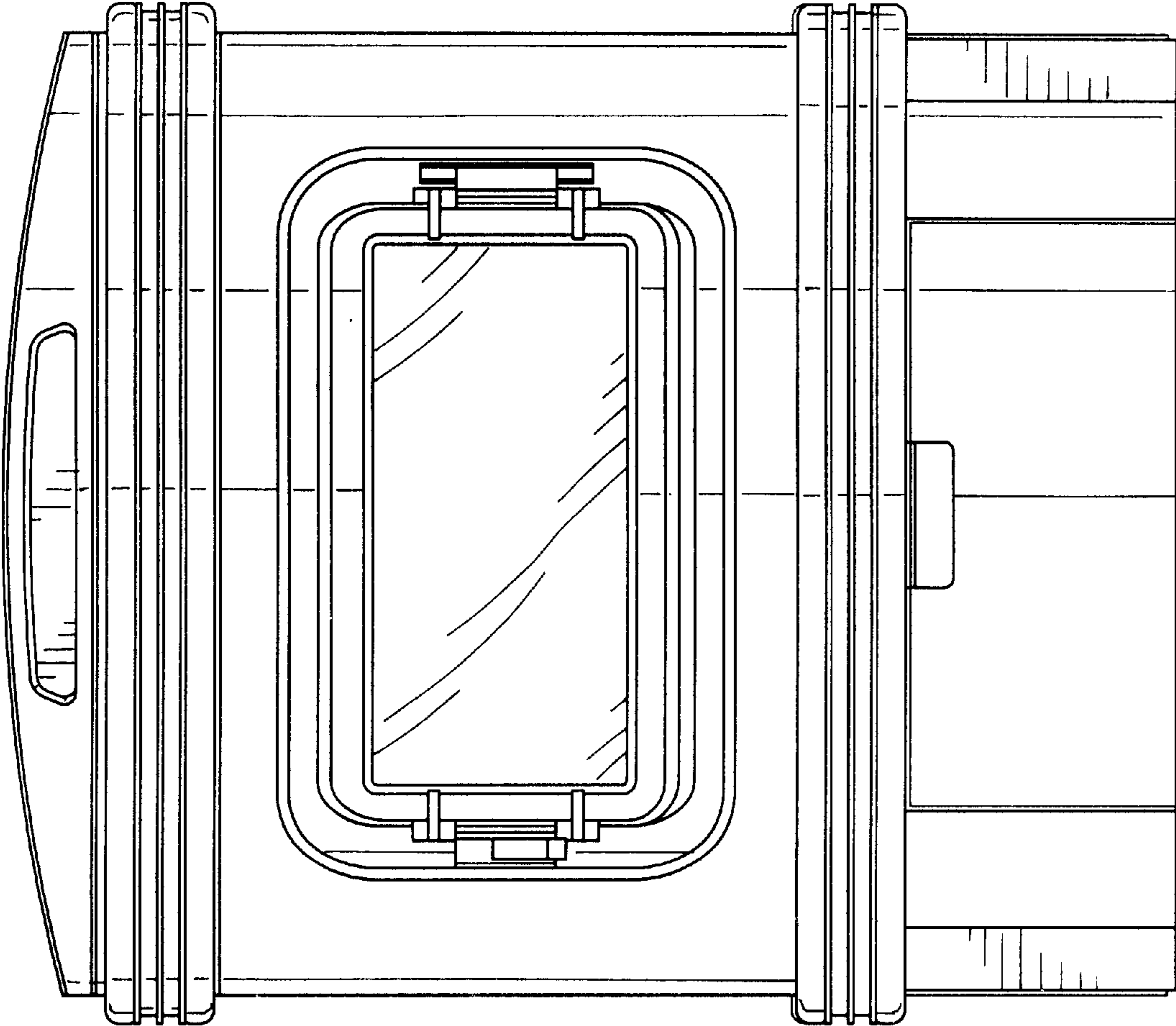


FIG. 2

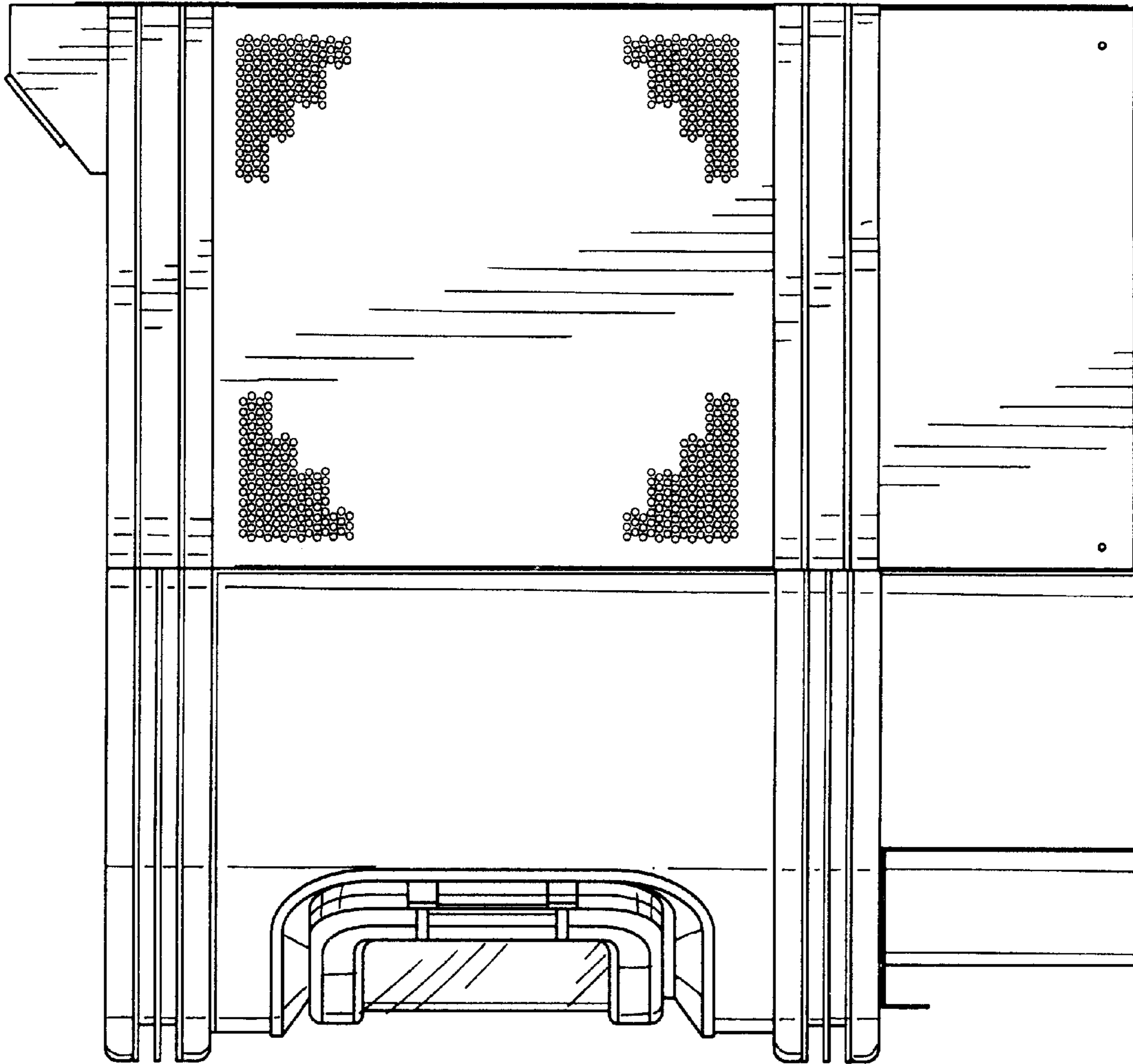


FIG. 3

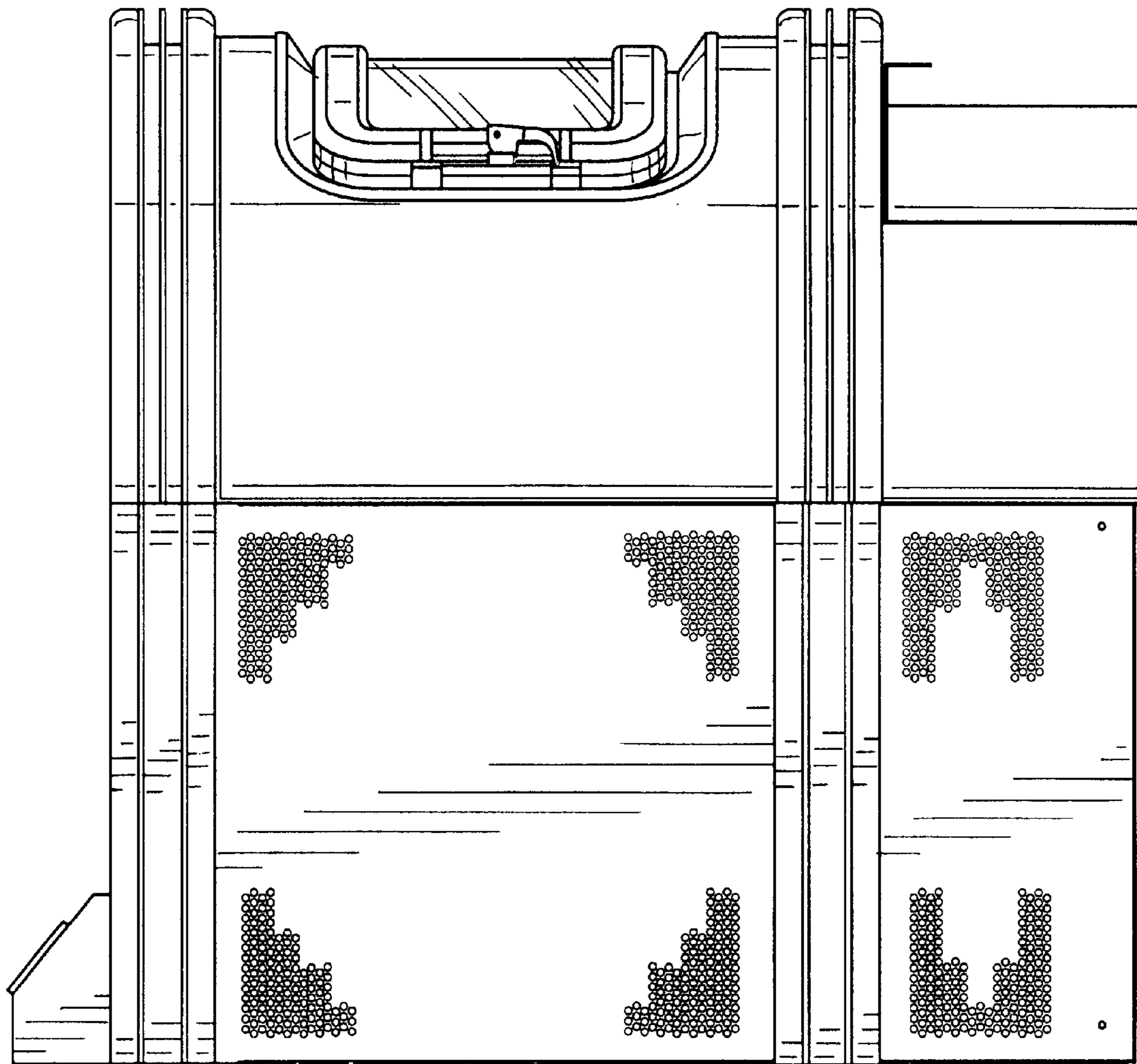


FIG. 4

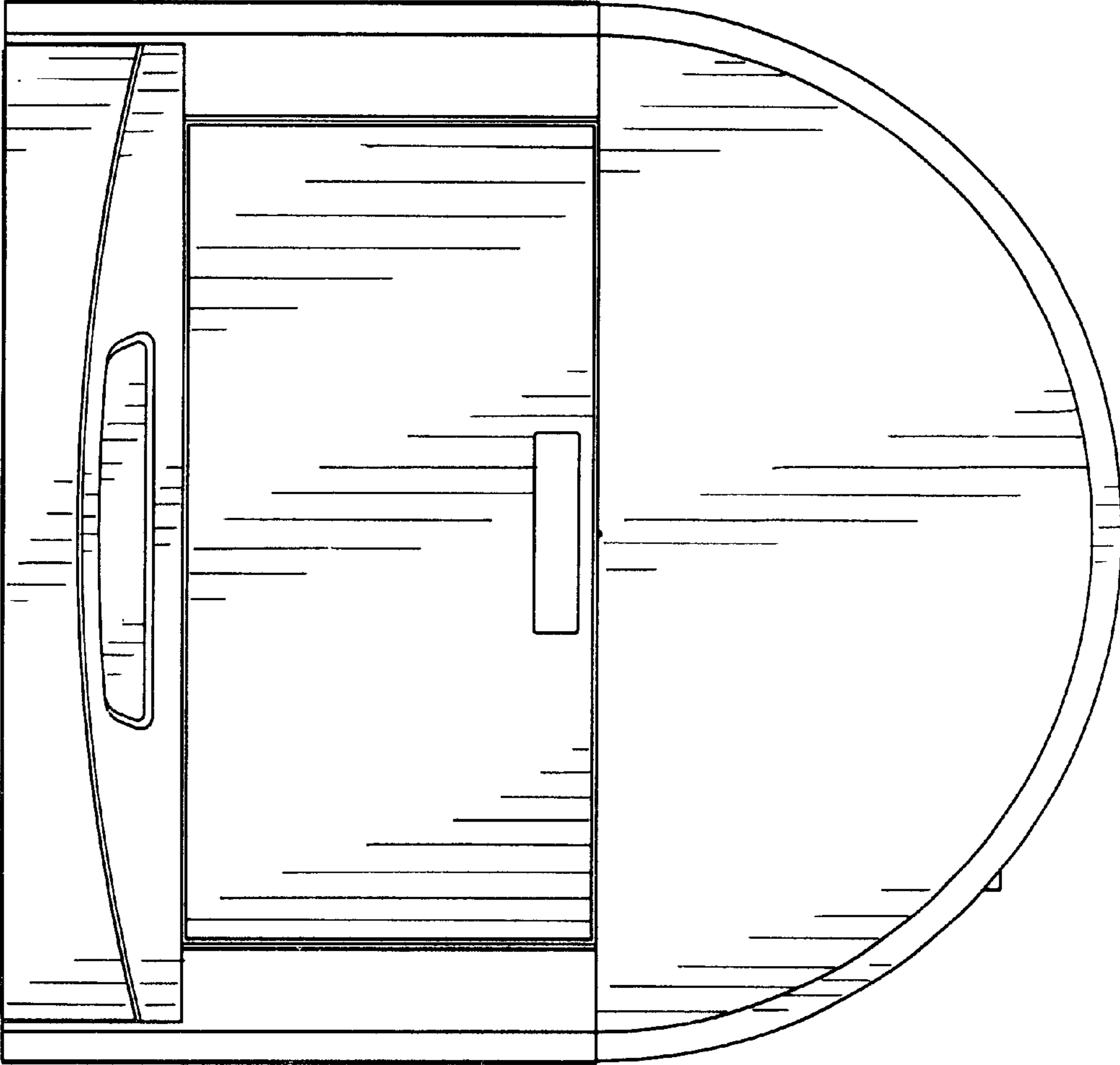


FIG. 5

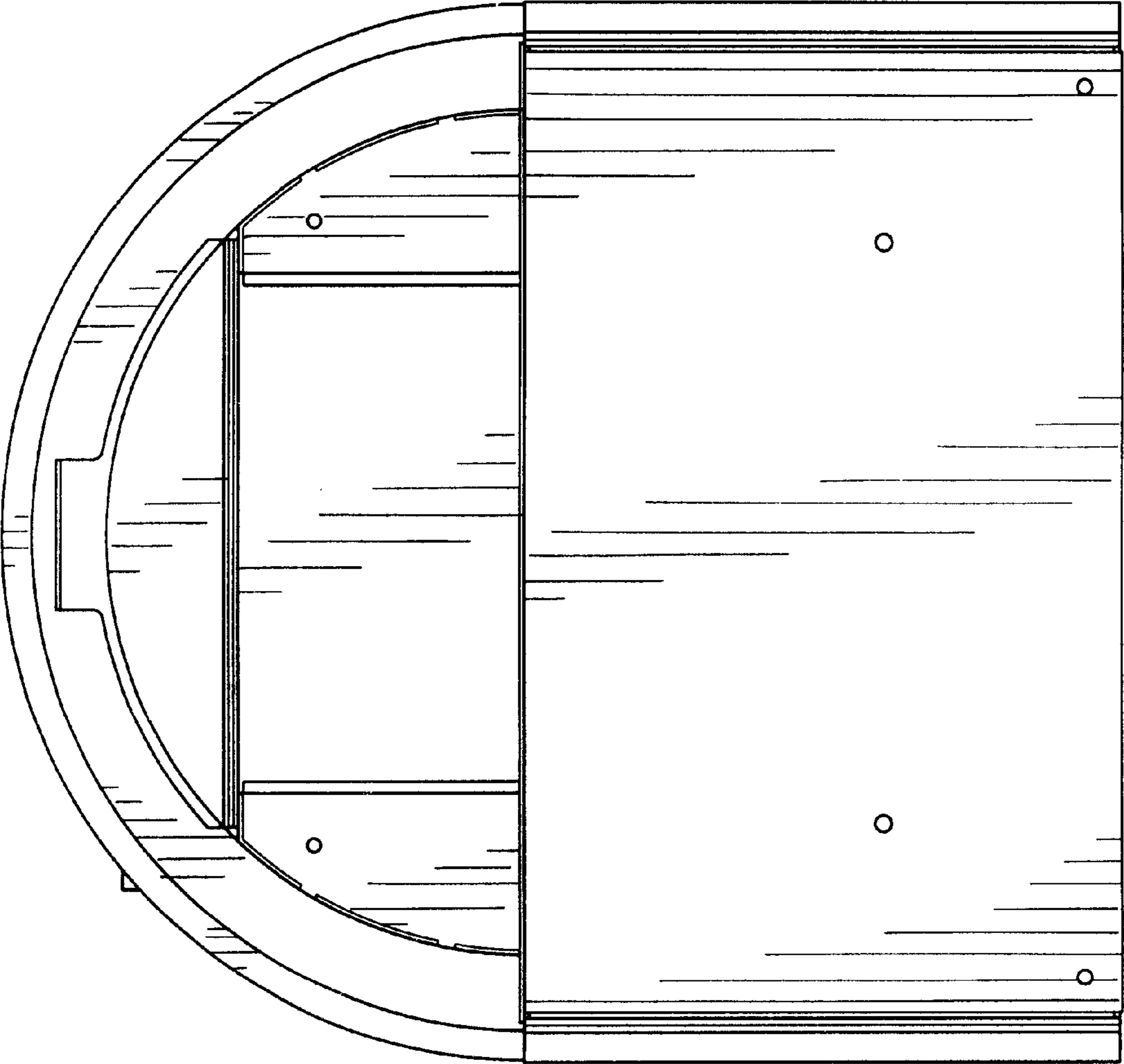


FIG.6

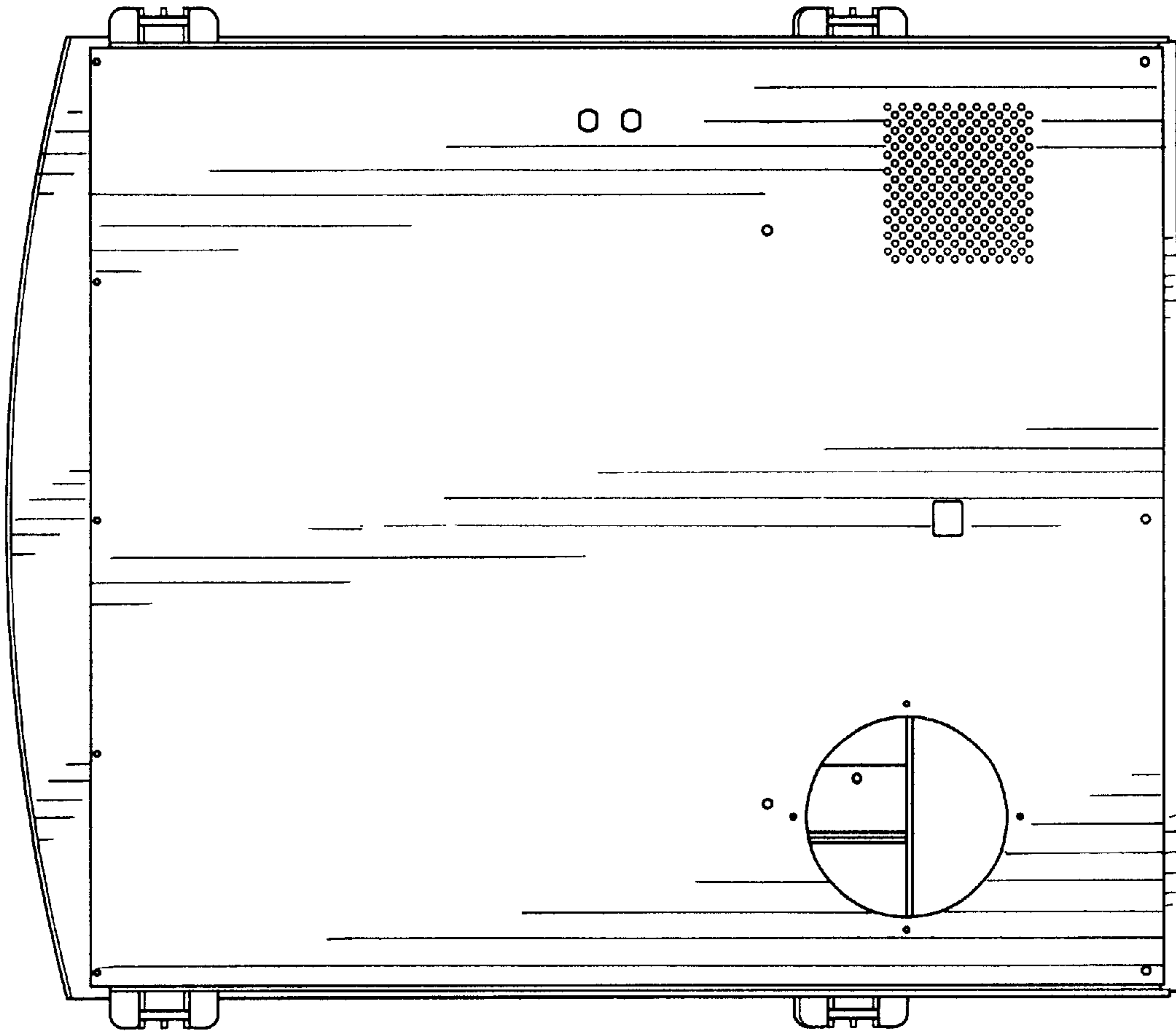


FIG. 7