



US00D521131S

(12) **United States Design Patent**  
**Hou**

(10) **Patent No.:** **US D521,131 S**

(45) **Date of Patent:** **\*\* May 16, 2006**

(54) **WATER TANK**

D386,250 S \* 11/1997 Garza ..... D23/301

(75) Inventor: **Camel Hou**, Weifang (CN)

\* cited by examiner

(73) Assignee: **Globe Union Industrial Corp.**,  
Taichung (TW)

*Primary Examiner*—Robert A. Delehanty  
(74) *Attorney, Agent, or Firm*—Leong C. Lei

(\*\*) Term: **14 Years**

(57) **CLAIM**

(21) Appl. No.: **29/232,307**

The ornamental design for a water tank, as shown and described.

(22) Filed: **Jun. 17, 2005**

**DESCRIPTION**

(51) **LOC (8) Cl.** ..... **23-01**

FIG. 1 is a front perspective view of a water tank showing my new design;

(52) **U.S. Cl.** ..... **D23/313**

FIG. 2 is a front elevational view thereof;

(58) **Field of Classification Search** ..... D23/270,

FIG. 3 is a rear elevational view thereof;

D23/273–274, 295, 299, 301, 303, 309, 313;

FIG. 4 is a left side elevational view thereof;

4/663–664, 300–301, 329, 420, 443, 661,

FIG. 5 is a right side elevational view thereof;

4/DIG. 15

FIG. 6 is a top plan view thereof;

See application file for complete search history.

FIG. 7 is a bottom plan view thereof; and,

(56) **References Cited**

FIG. 8 is a front perspective view, shown with the toilet bowl engaged.

**U.S. PATENT DOCUMENTS**

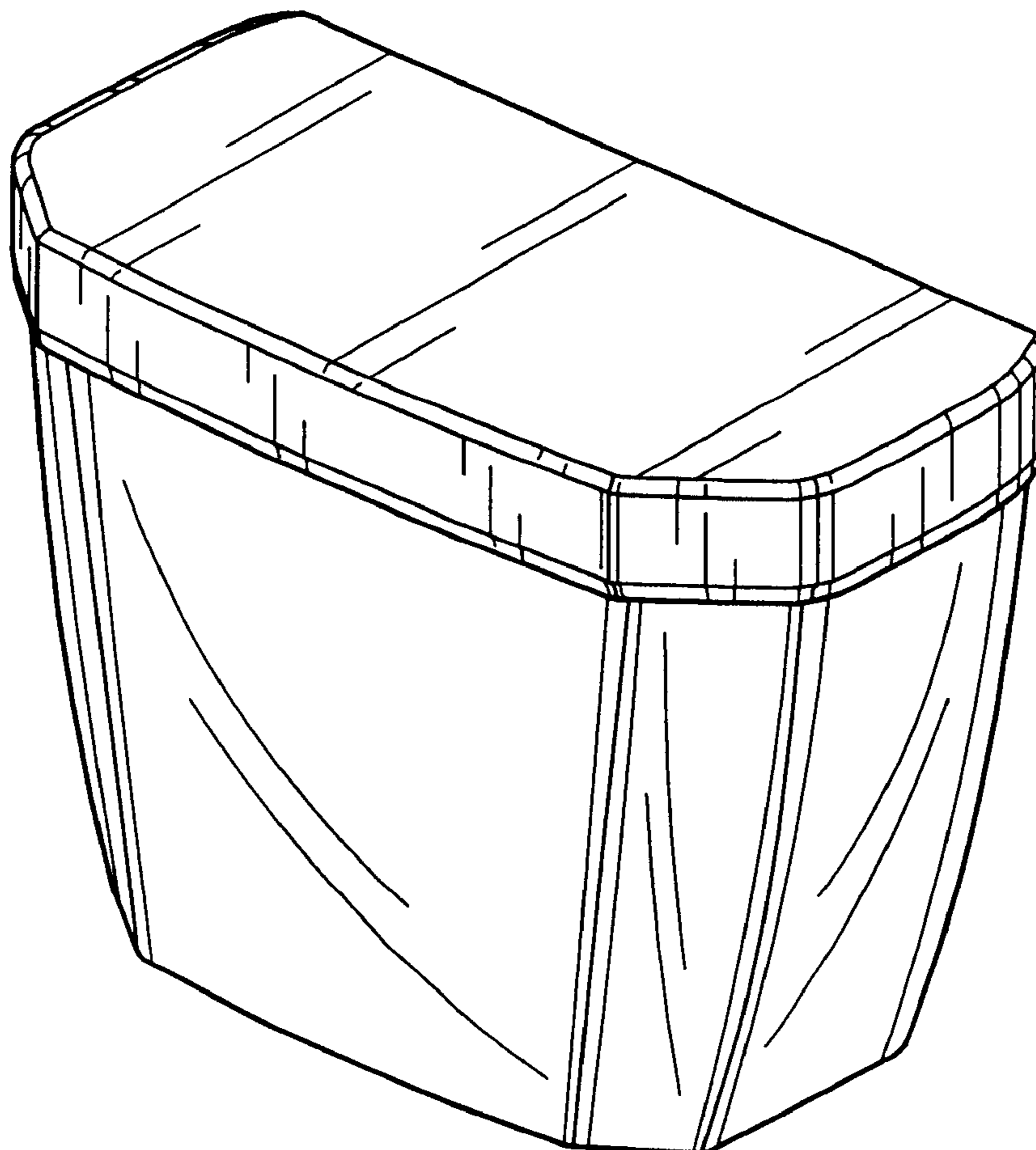
The dotted line showing of the toilet bowl is for illustrative purposes only and forms no part of the claimed design.

D310,407 S \* 9/1990 Stairs, Jr. .... D23/301

D323,551 S \* 1/1992 Fait ..... D23/301

D379,405 S \* 5/1997 Shillington ..... D23/295

**1 Claim, 5 Drawing Sheets**



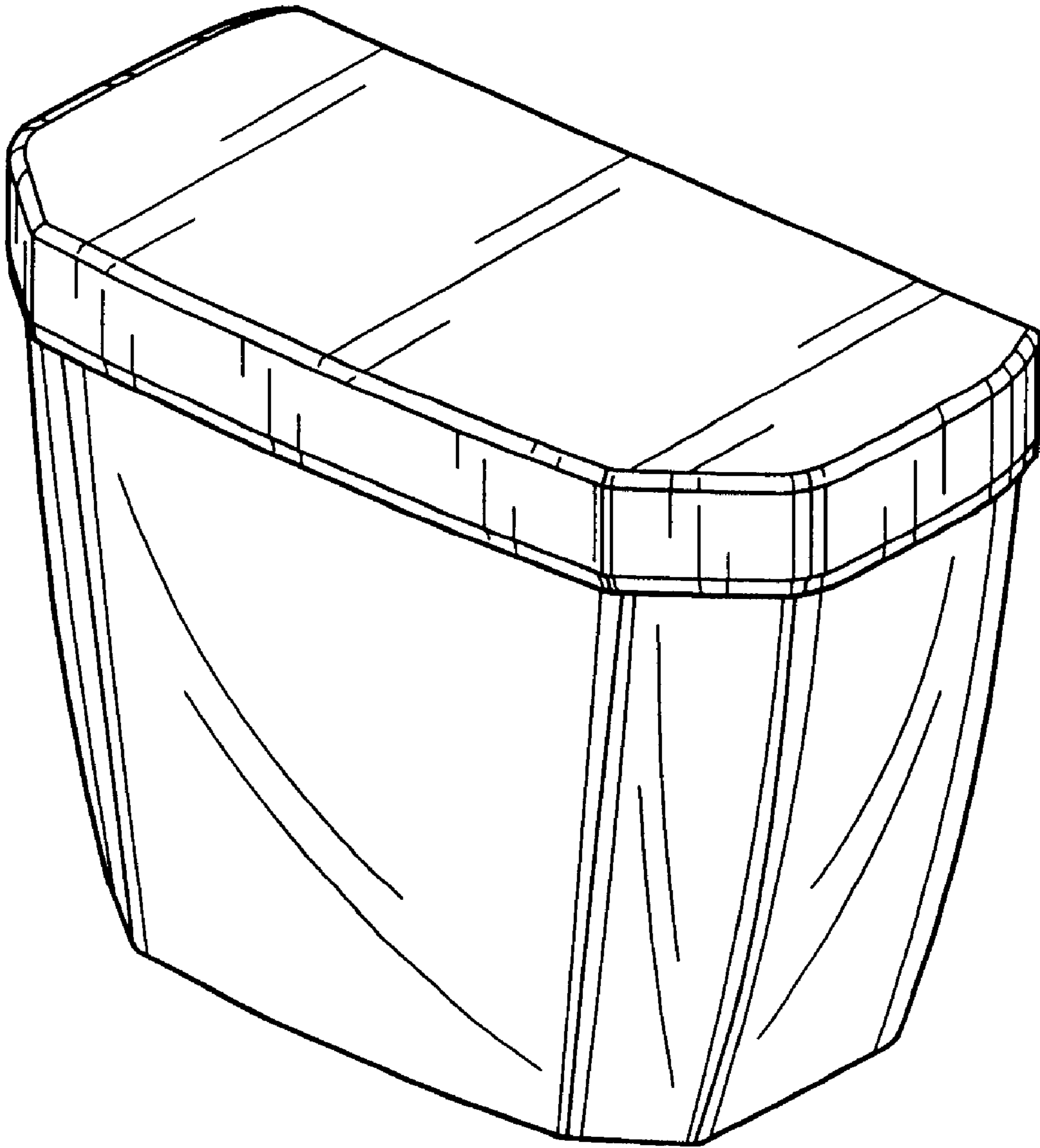


FIG. 1

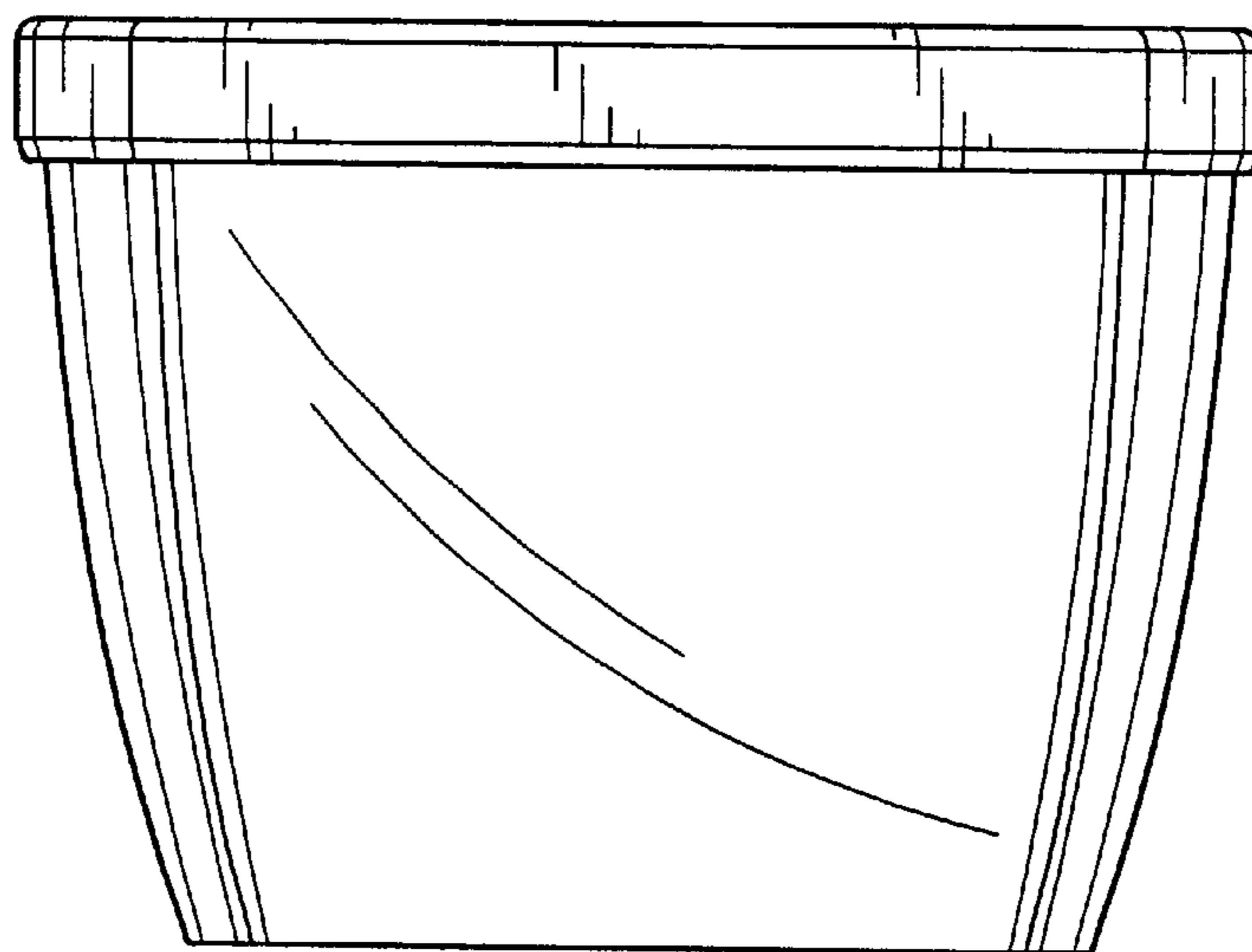


FIG. 2

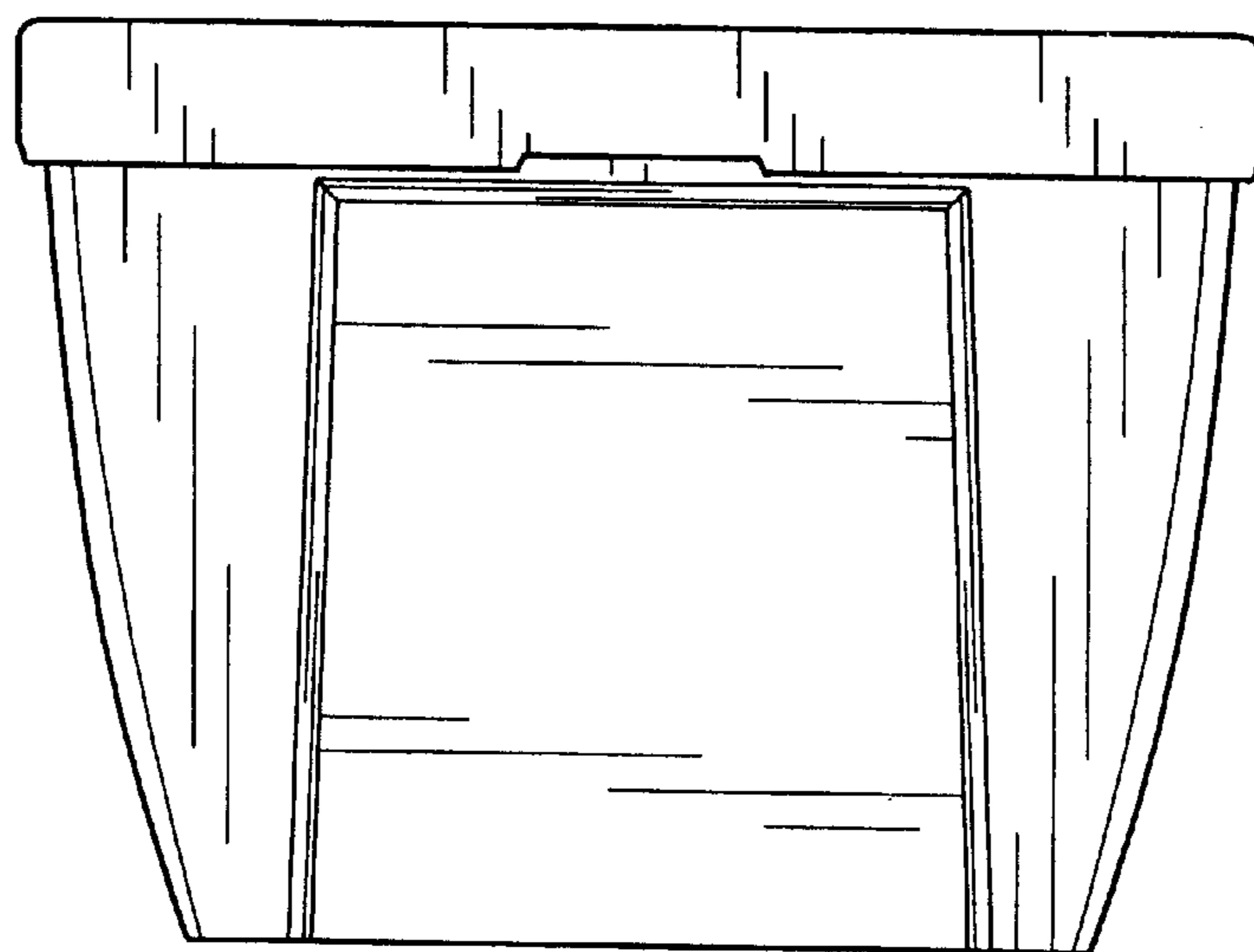


FIG. 3

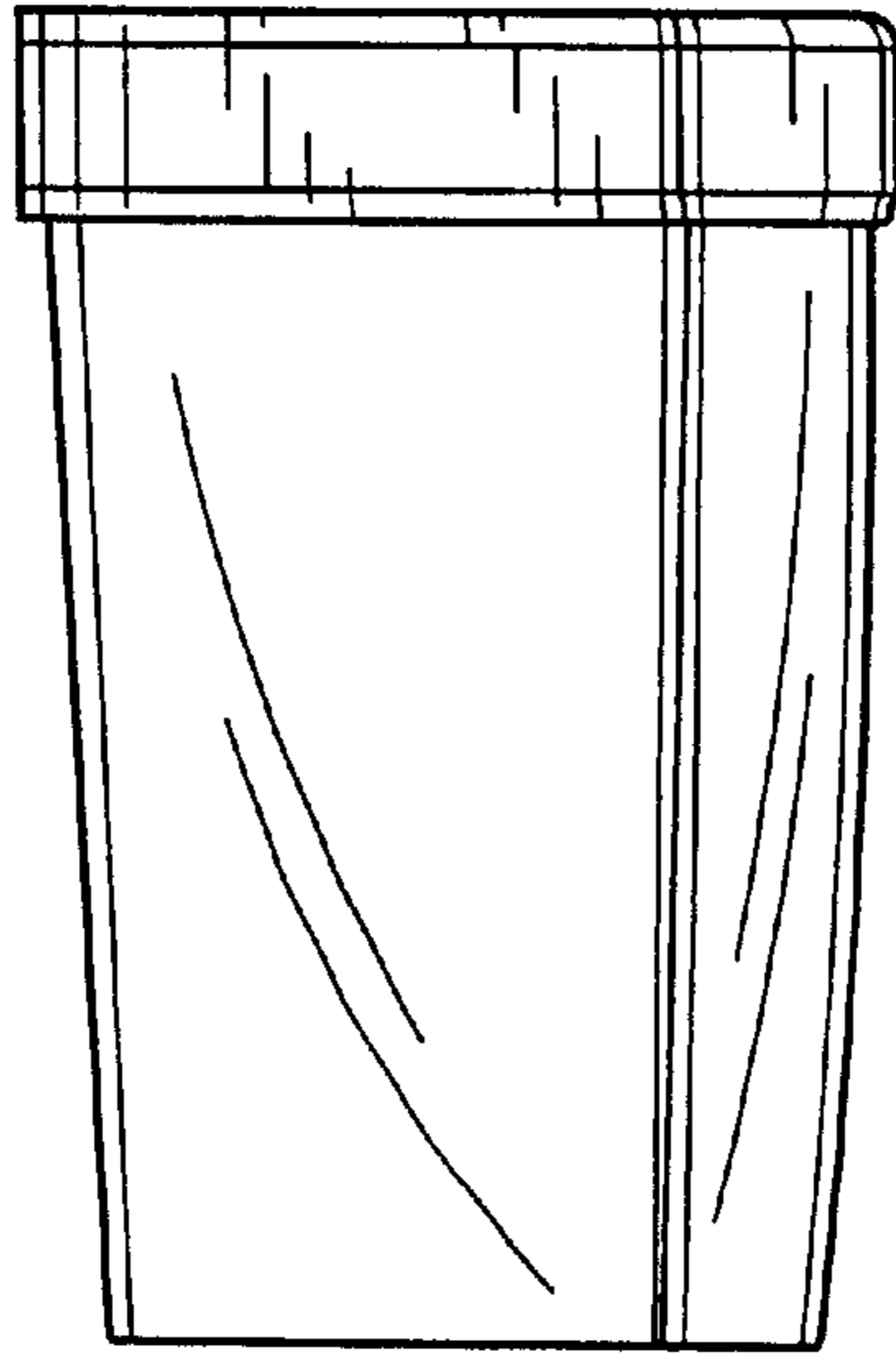


FIG. 4

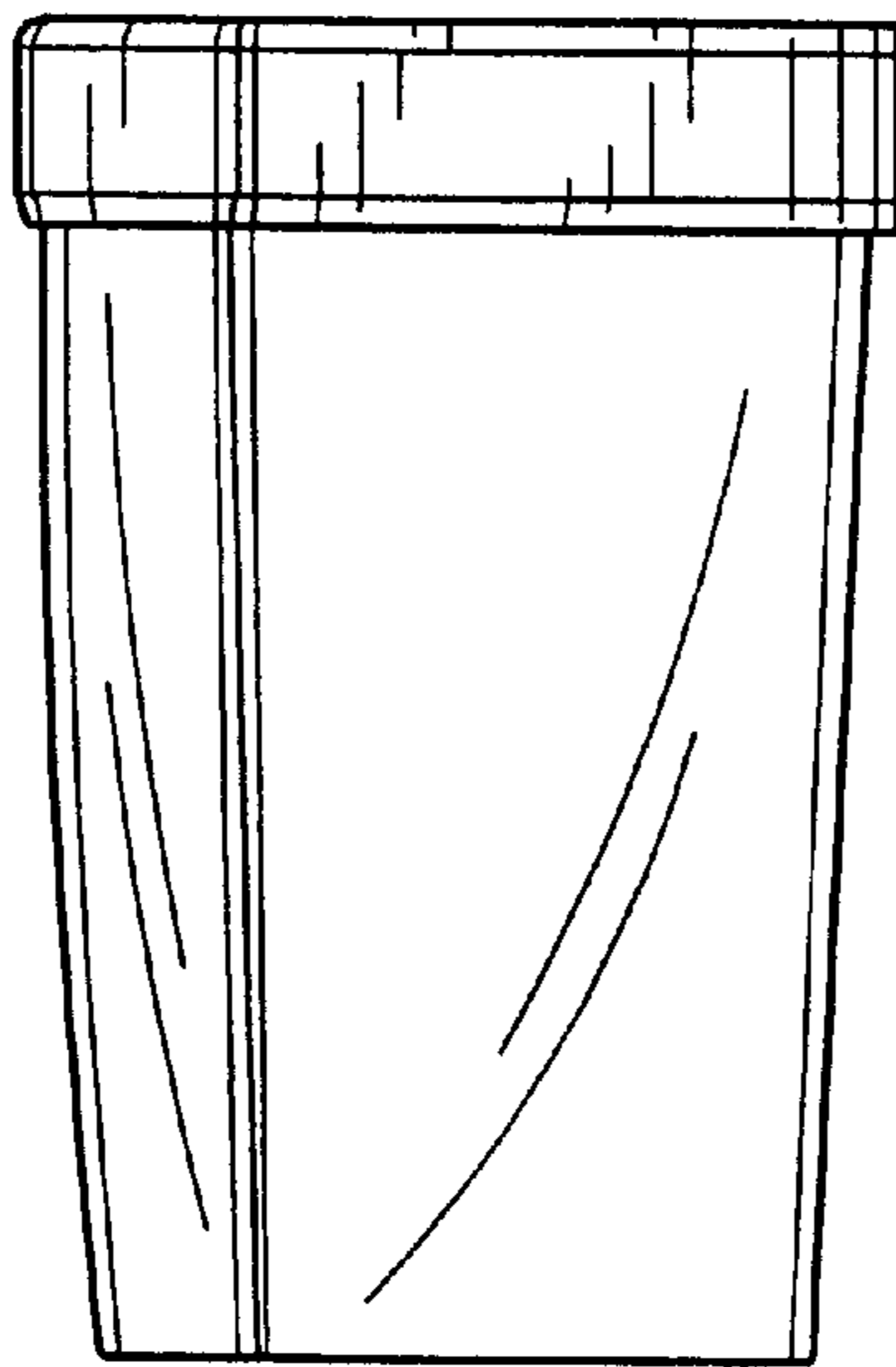


FIG. 5

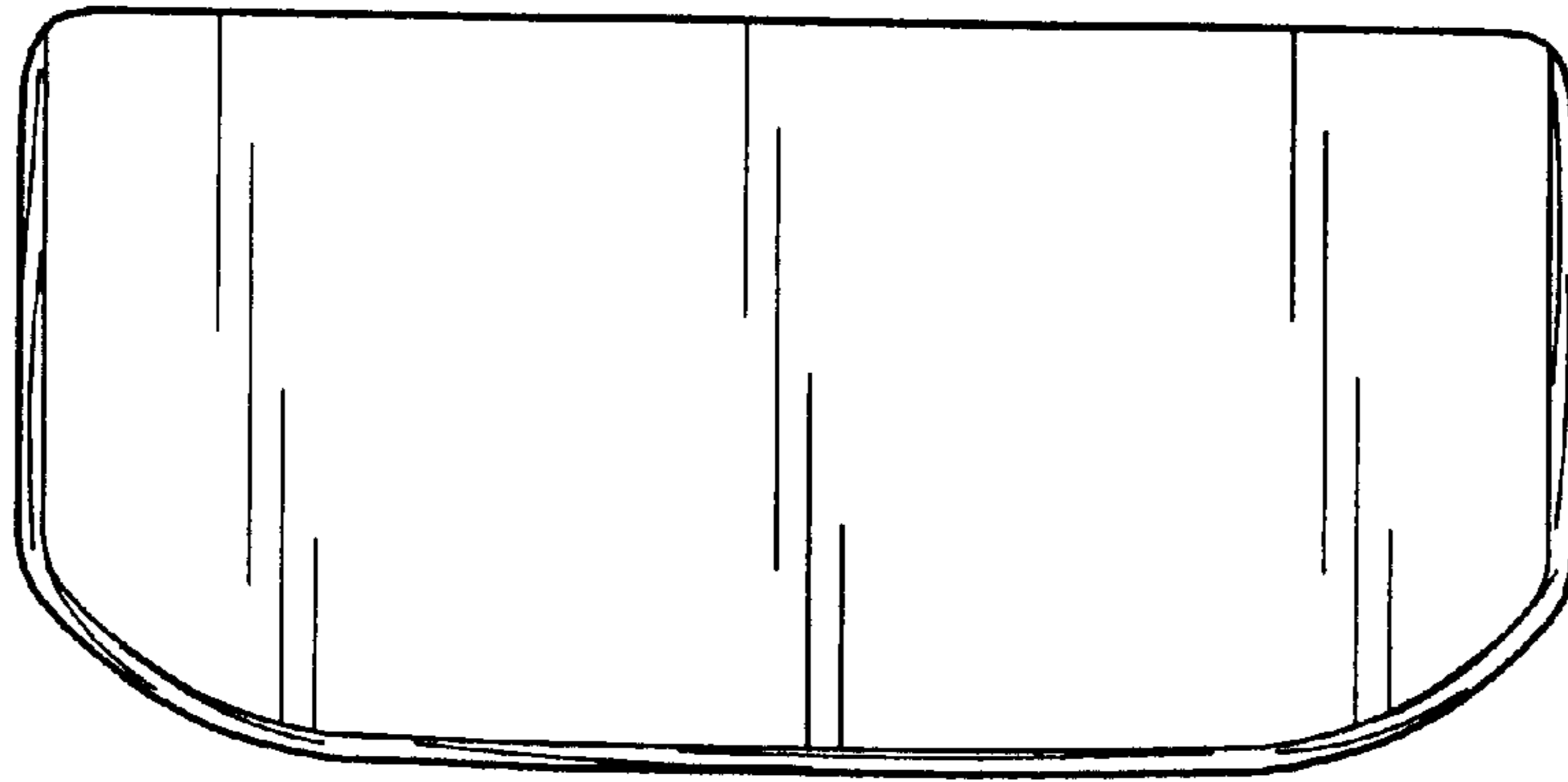


FIG. 6

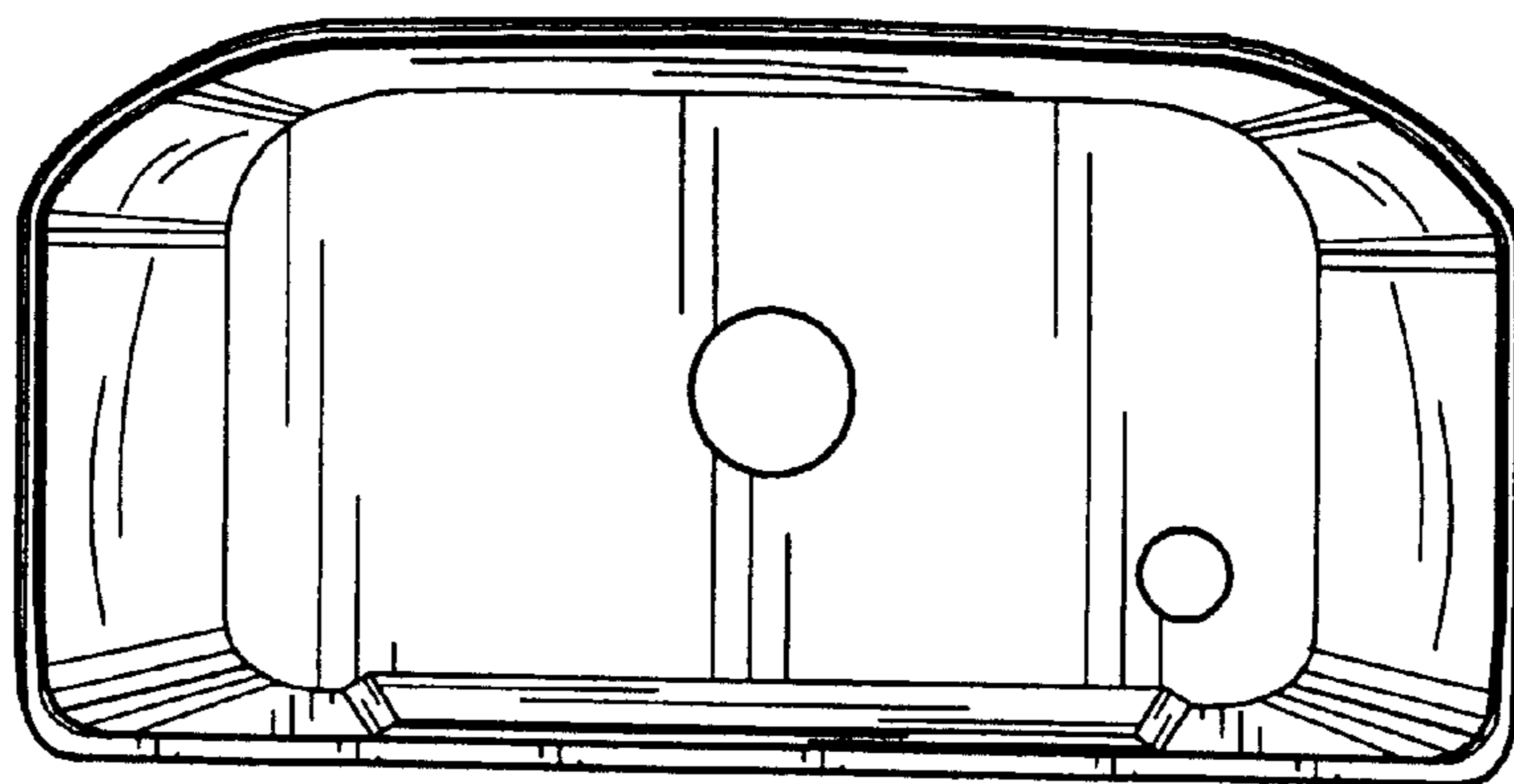


FIG. 7

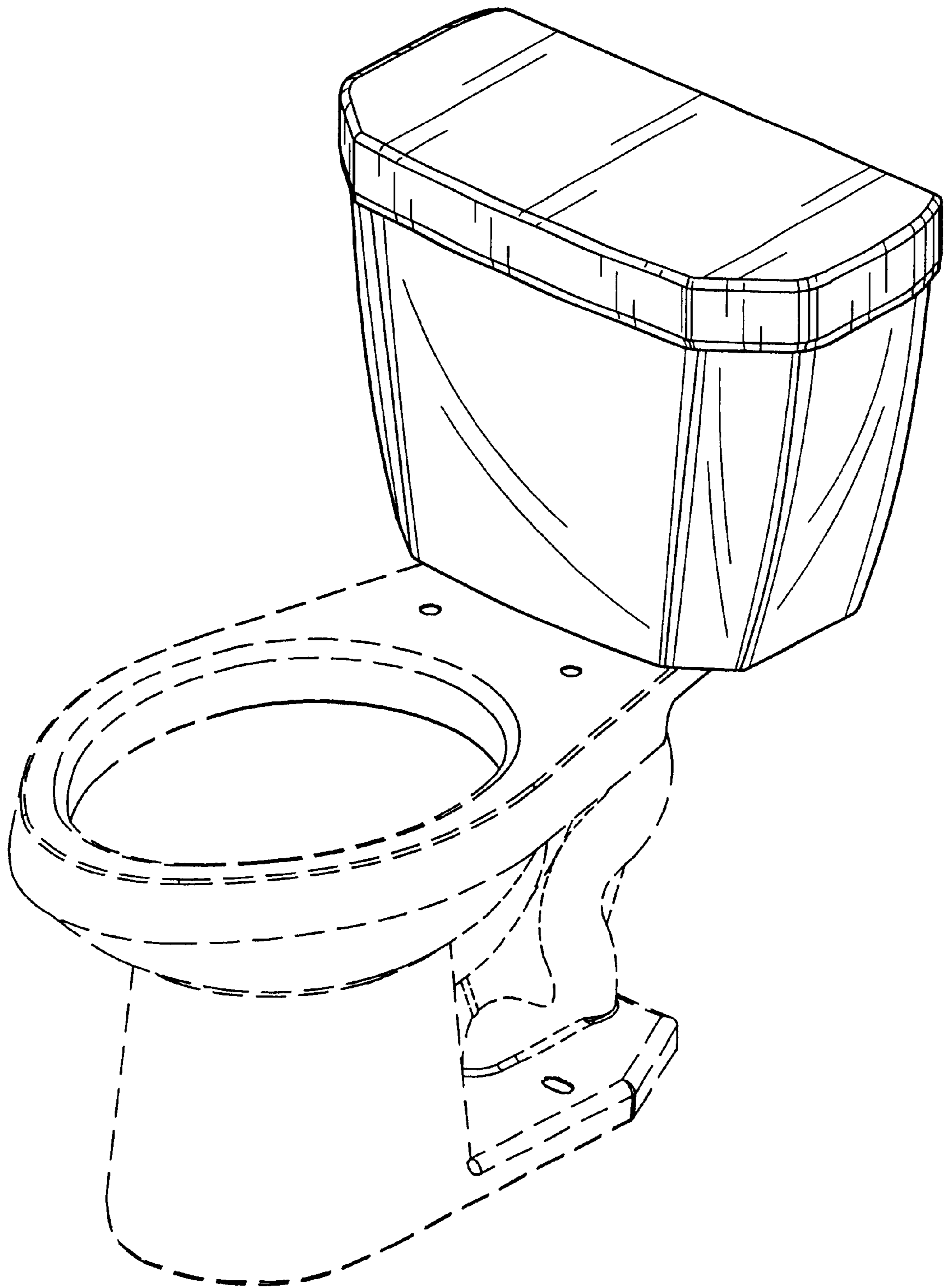


FIG. 8