



US00D521129S

(12) **United States Design Patent**
Bickford

(10) **Patent No.:** **US D521,129 S**

(45) **Date of Patent:** **** May 16, 2006**

(54) **BASIN**

(75) **Inventor:** **Fred A. Bickford**, Boulder, CO (US)

(73) **Assignee:** **Criterion Imports**, Boulder, CO (US)

(**) **Term:** **14 Years**

(21) **Appl. No.:** **29/221,848**

(22) **Filed:** **Jan. 21, 2005**

(51) **LOC (8) Cl.** **23-02**

(52) **U.S. Cl.** **D23/293.1; D7/587**

(58) **Field of Classification Search** D23/270-273,
D23/284-286, 292-293.1, 303, 308; 4/662-666,
4/619, 643, 661; D7/584, 586-587
See application file for complete search history.

(56) **References Cited**

U.S. PATENT DOCUMENTS

- 3,548,422 A * 12/1970 Byers et al. 4/619
- D288,351 S * 2/1987 Smith D23/285
- 5,082,140 A * 1/1992 Swenson D7/584

- D455,476 S * 4/2002 Ferrer Beltran D23/293.1
- D487,501 S * 3/2004 Ruxchaivan D23/293.1

* cited by examiner

Primary Examiner—Robert A. Delehanty

(74) *Attorney, Agent, or Firm*—Lathrop & Gage, LC

(57) **CLAIM**

The ornamental design for a basin, as shown and described.

DESCRIPTION

FIG. 1 is a perspective view of a basin, showing the new design;

FIG. 2 is a perspective view of the basin of FIG. 1;

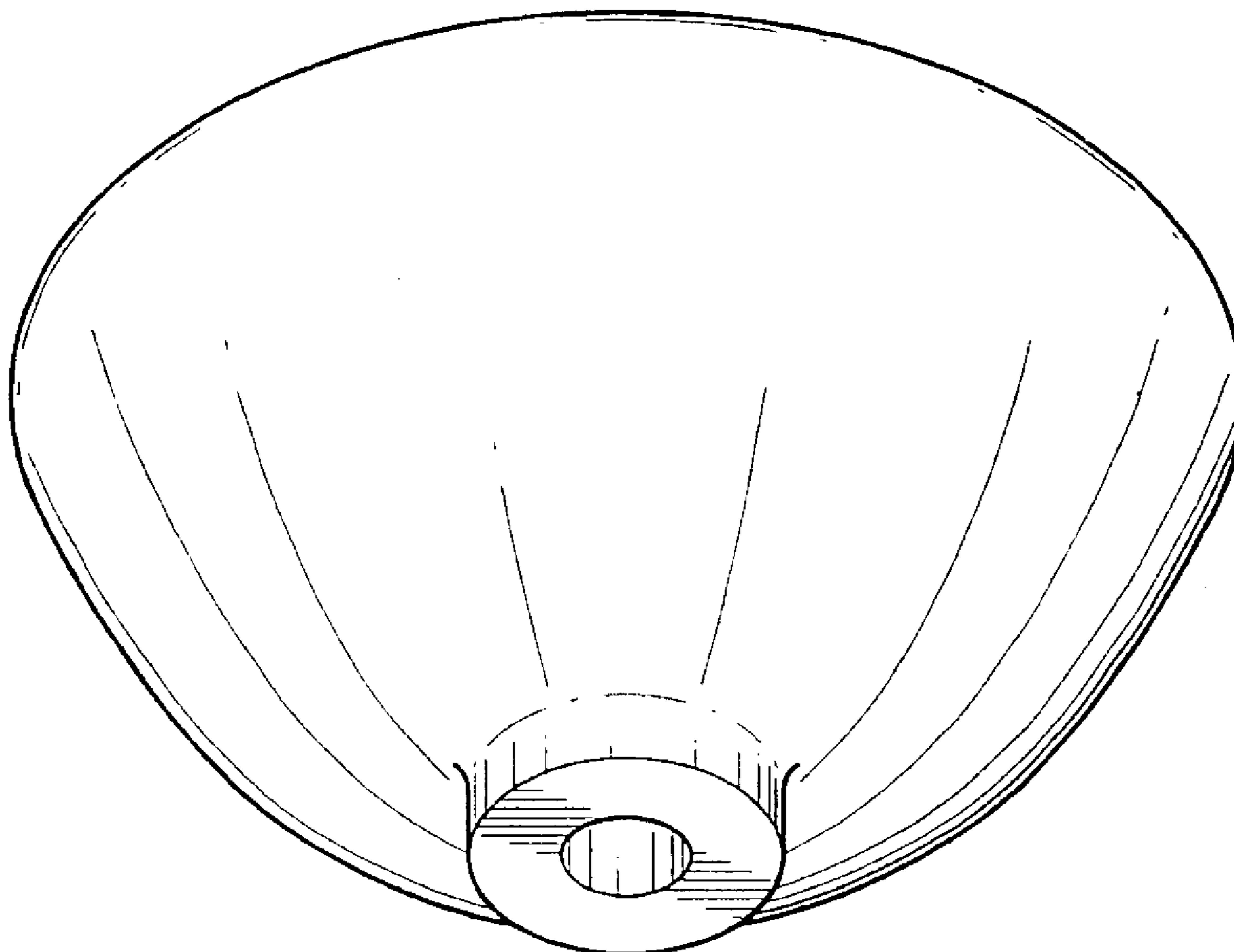
FIG. 3 is a top plan view of the basin of FIG. 1;

FIG. 4 is a bottom plan view of the basin of FIG. 1;

FIG. 5 is a right side elevational view of the basin of FIG. 1, the left side elevational view being a mirror image thereof; and,

FIG. 6 is a cross-sectional view of the basin of FIG. 5 taken along line 6—6.

1 Claim, 3 Drawing Sheets



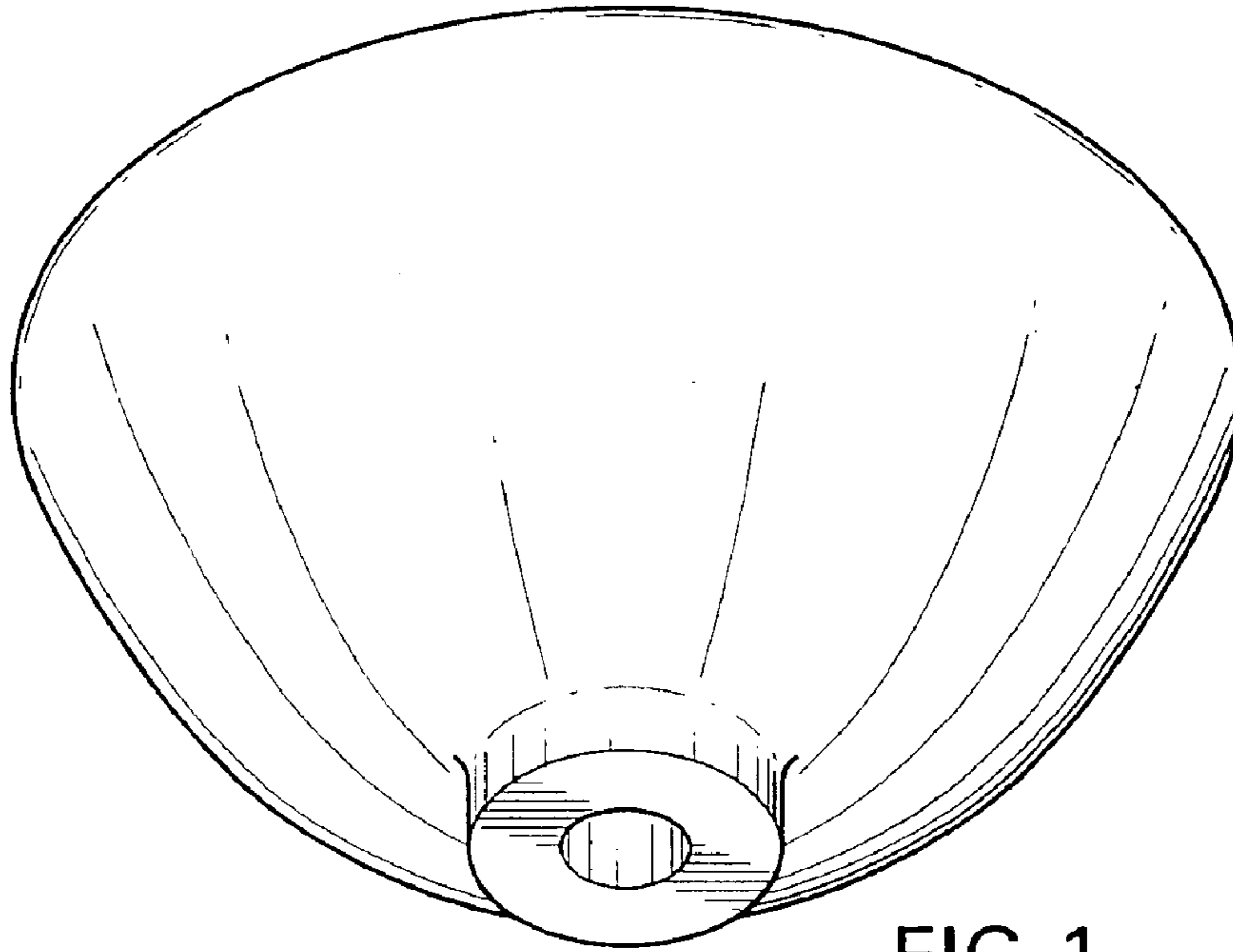


FIG. 1

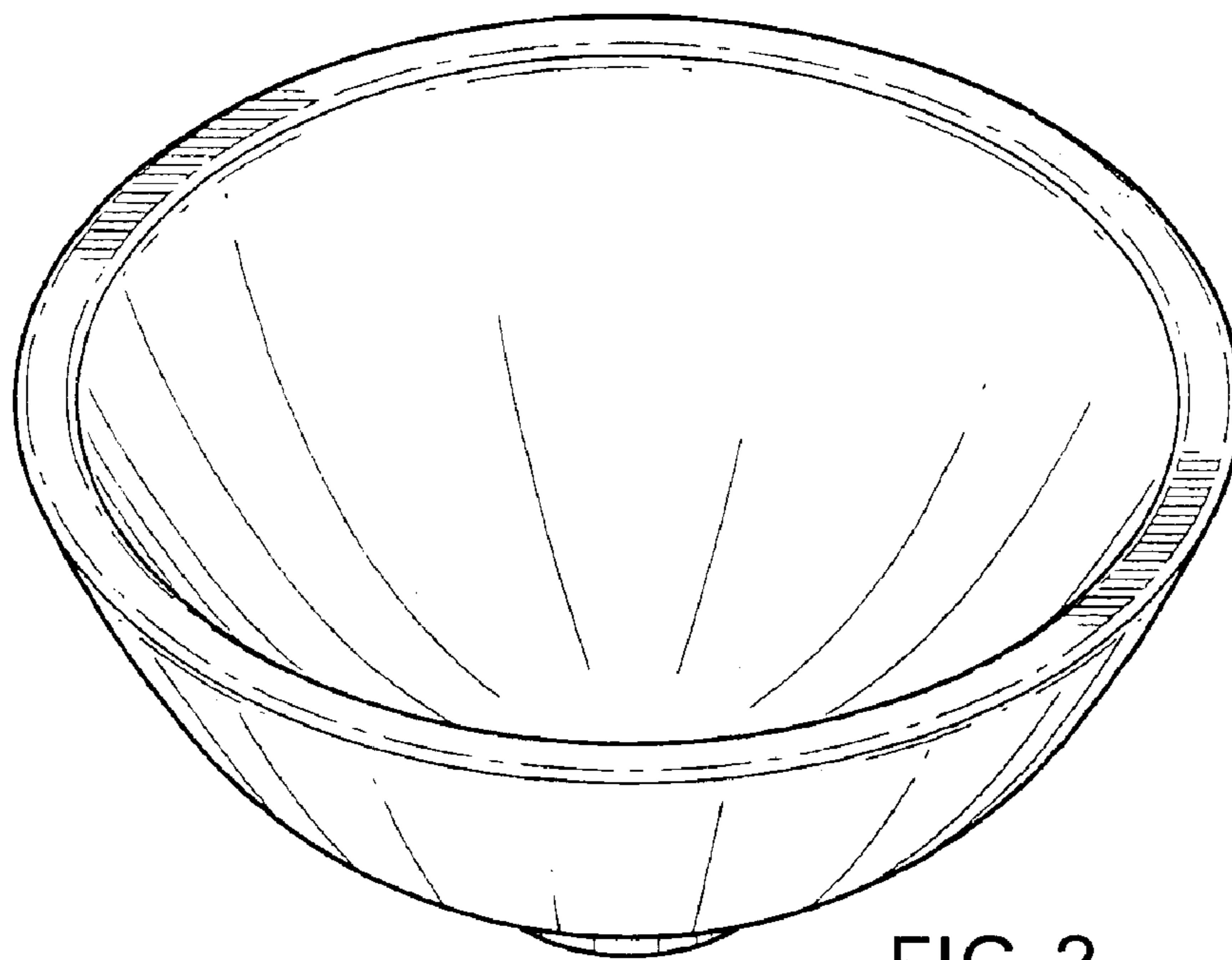


FIG. 2

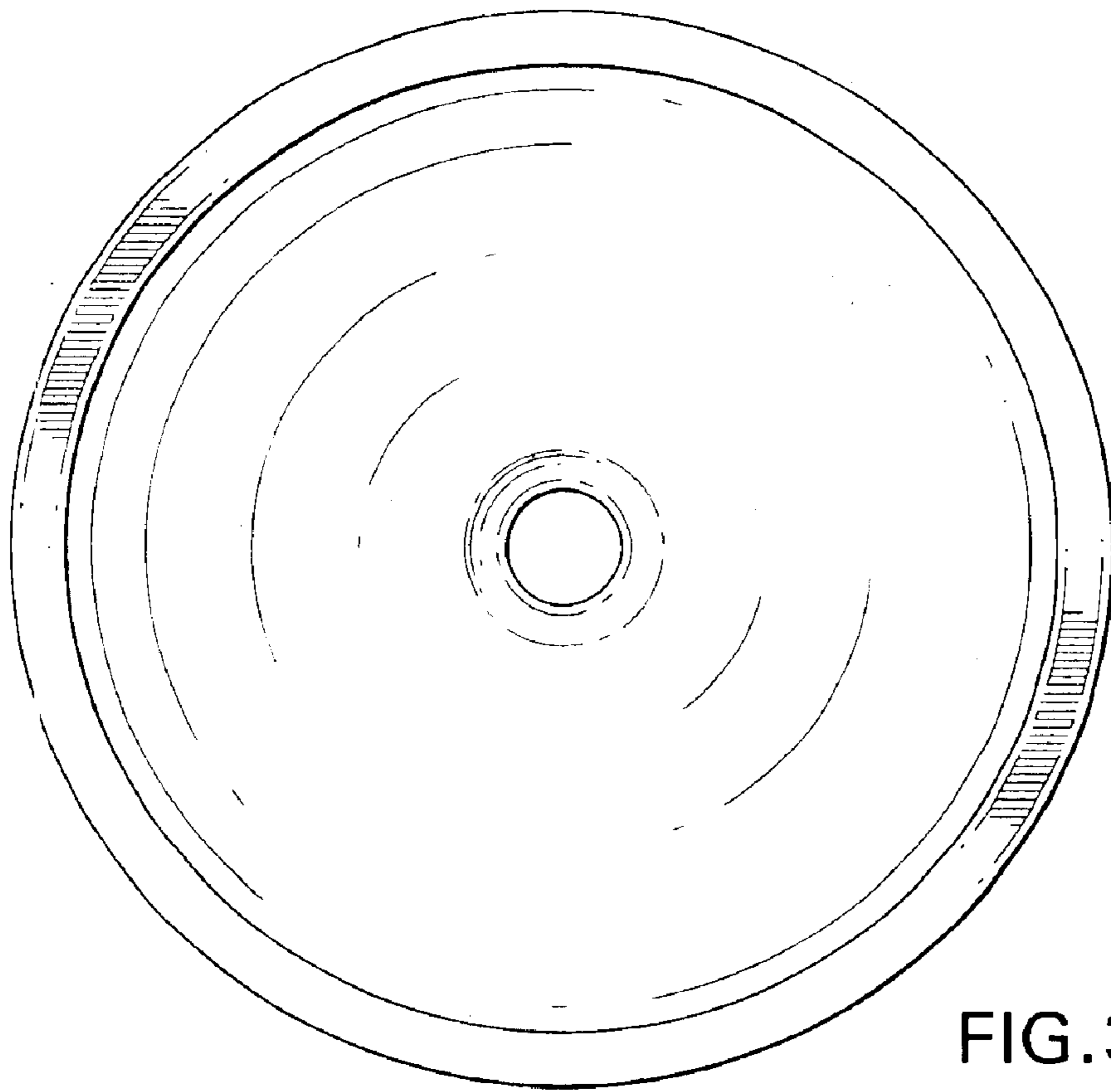


FIG. 3

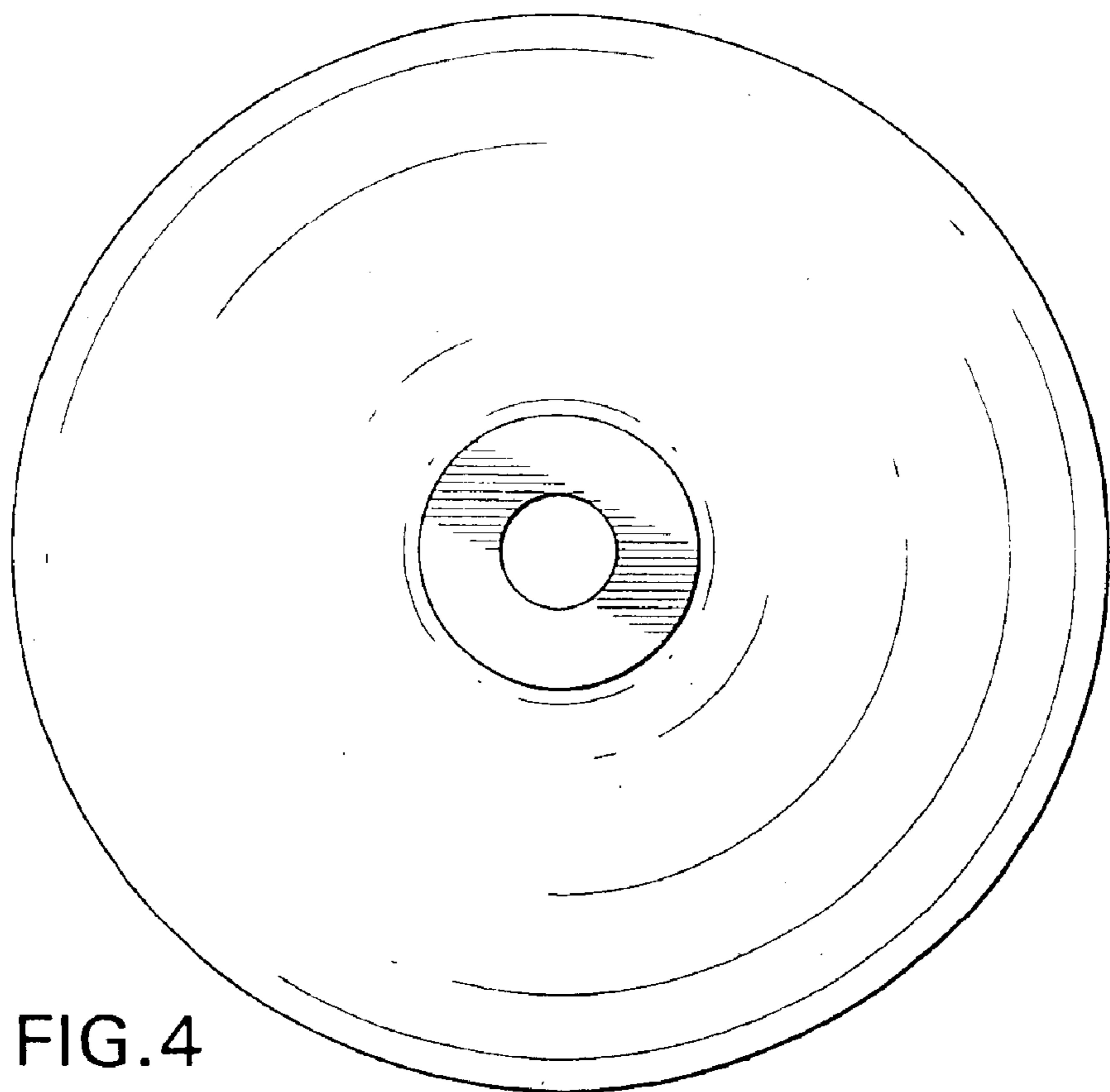


FIG. 4

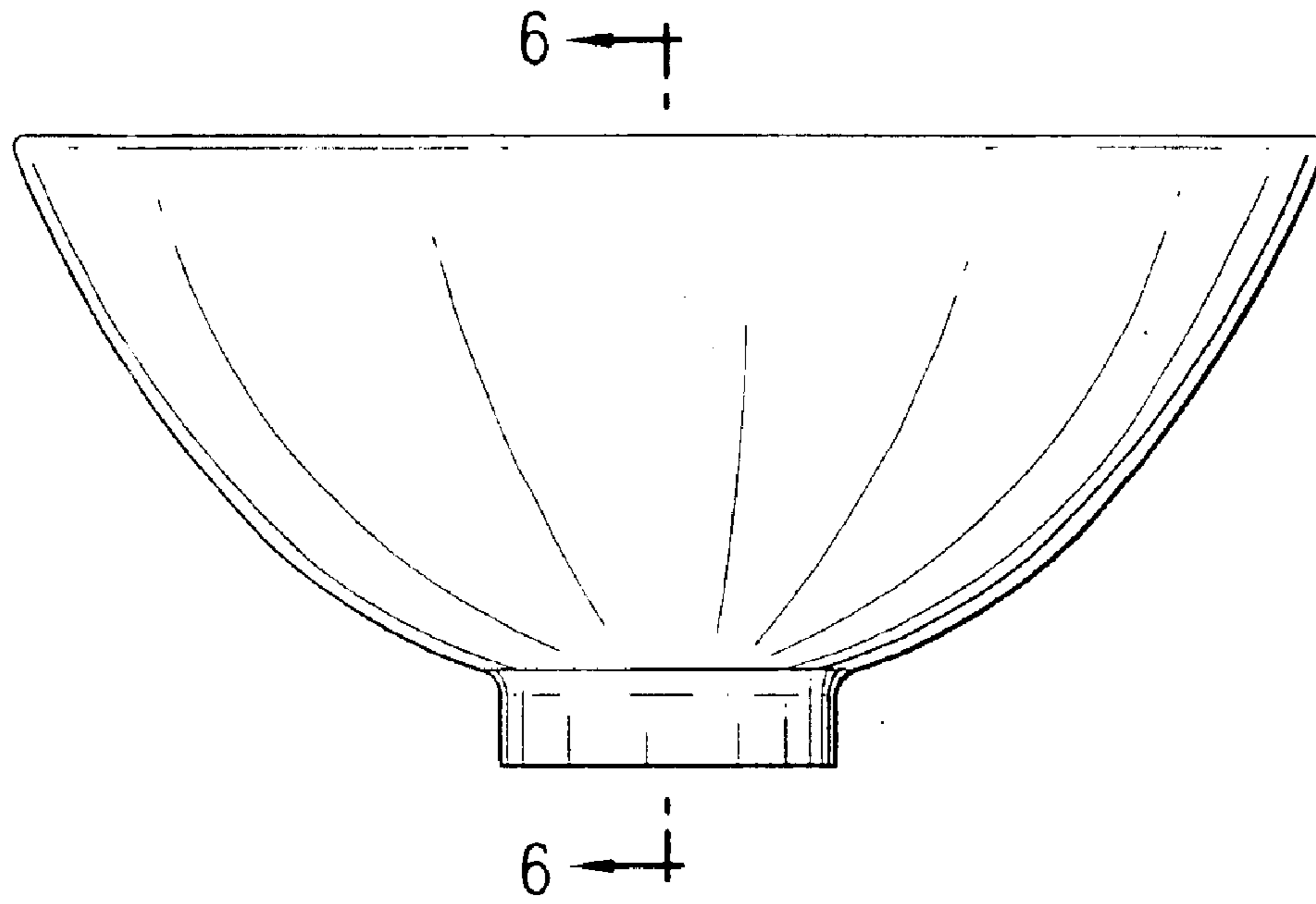


FIG. 5

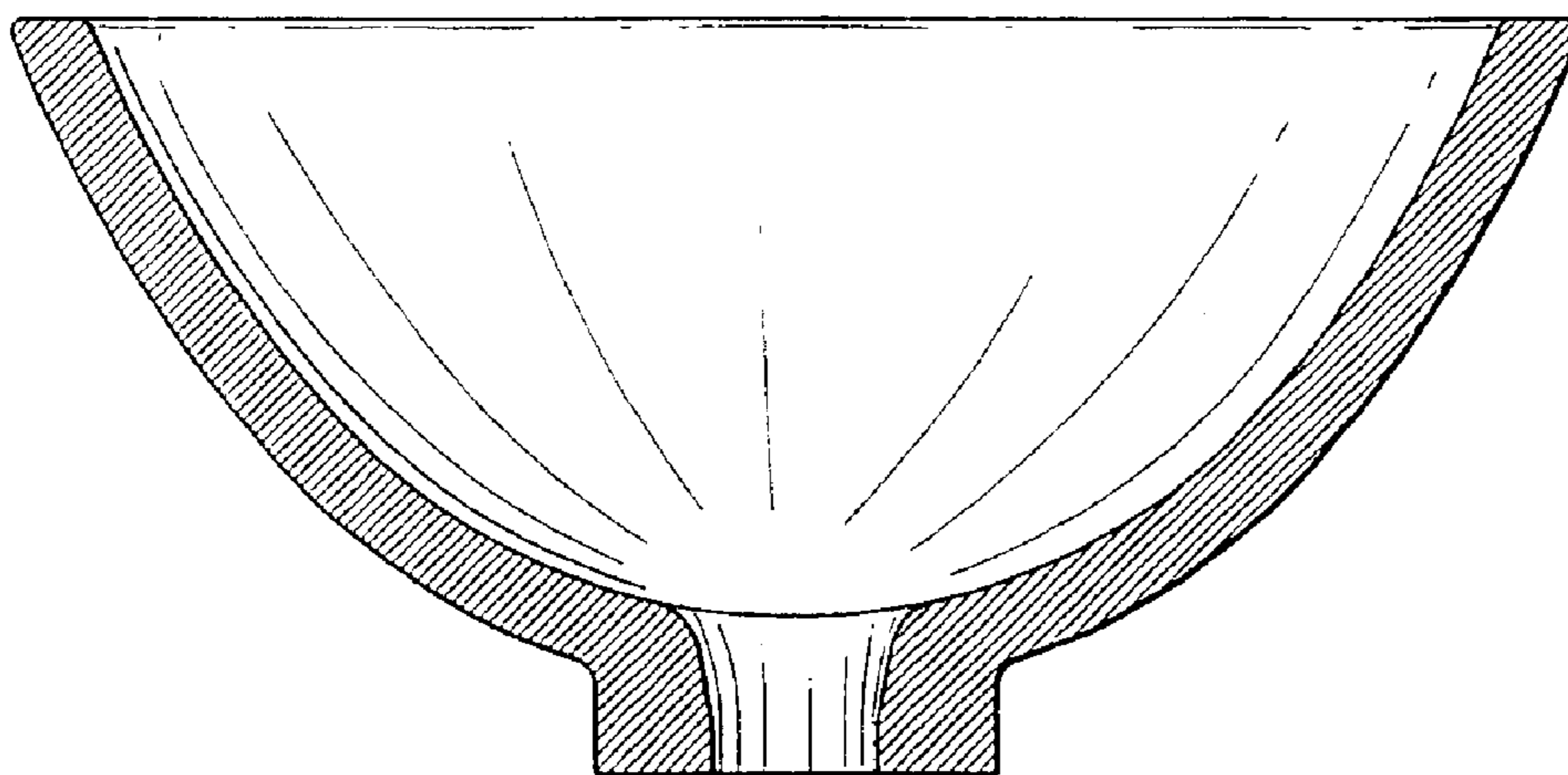


FIG. 6