



US00D521126S

(12) **United States Design Patent**
Kemp

(10) **Patent No.:** **US D521,126 S**

(45) **Date of Patent:** **** May 16, 2006**

(54) **SPOUT**

(75) Inventor: **Douglas A. Kemp**, North Ridgeville,
OH (US)

(73) Assignee: **Moen Incorporated**, North Olmsted,
OH (US)

(**) Term: **14 Years**

(21) Appl. No.: **29/201,526**

(22) Filed: **Mar. 17, 2004**

(51) **LOC (8) Cl.** **23-01**

(52) **U.S. Cl.** **D23/257; D23/255; D23/238**

(58) **Field of Classification Search** **D23/238-257;**
4/675-678; 137/801

See application file for complete search history.

| | | | |
|------------|-----------|------------------------|---------------|
| D463,533 S | 9/2002 | Ko | |
| D465,010 S | 10/2002 | Lord | |
| D465,270 S | * 11/2002 | Gottwald | D23/257 |
| D465,557 S | 11/2002 | Antoniello et al. | |
| D465,559 S | 11/2002 | Chen | |
| D469,158 S | 1/2003 | Bouilloux et al. | |
| D469,854 S | 2/2003 | Ouyoung | |
| D712,256 | 3/2003 | Friedrich | |
| D472,607 S | 4/2003 | Warshawsky et al. | |
| D474,834 S | 5/2003 | Czerwinski, Jr. et al. | |
| D478,149 S | 8/2003 | Friedrich | |
| D478,153 S | 8/2003 | Friedrich | |
| D478,371 S | 8/2003 | Ouyoung | |
| D479,584 S | 9/2003 | Shieh | |

* cited by examiner

Primary Examiner—Louis S. Zarfes

Assistant Examiner—Gregory Andoll

(74) *Attorney, Agent, or Firm*—Calfee, Halter & Griswold
LLP

(56) **References Cited**

U.S. PATENT DOCUMENTS

| | | | | | |
|------------|---|---------|--------------------|-------|---------|
| D53,558 S | * | 7/1919 | Bloch | | D23/241 |
| D149,196 S | * | 4/1948 | Little et al. | | D23/238 |
| D227,762 S | * | 7/1973 | Arbon | | D23/238 |
| D263,991 S | | 4/1982 | Fleischmann et al. | | |
| D280,543 S | | 9/1985 | Paul | | |
| D301,053 S | | 5/1989 | Rodstein | | |
| D311,438 S | * | 10/1990 | Strignano | | D23/242 |
| D312,681 S | | 12/1990 | Kohler, Jr. et al. | | |
| D318,099 S | | 7/1991 | Reid et al. | | |
| D319,685 S | | 9/1991 | Kohler, Jr. et al. | | |
| D321,039 S | * | 10/1991 | Robbins | | D23/255 |
| D321,752 S | | 11/1991 | Paul | | |
| D326,504 S | | 5/1992 | Robbins | | |
| D340,507 S | | 10/1993 | McKeone | | |
| D349,326 S | | 8/1994 | Bollenbacher | | |
| D350,183 S | * | 8/1994 | Joerger | | D23/242 |
| D353,653 S | | 12/1994 | McKeone | | |
| D357,730 S | | 4/1995 | Saperstein | | |
| D372,764 S | | 8/1996 | Dubin | | |
| D375,149 S | | 10/1996 | Robbins | | |
| D380,809 S | * | 7/1997 | Warshawsky | | D23/238 |
| D417,490 S | | 12/1999 | Formgren | | |
| D420,430 S | | 2/2000 | Lobermeier | | |
| D441,060 S | | 4/2001 | Lefroy-Brooks | | |
| D444,860 S | | 7/2001 | Slothower | | |
| D461,532 S | | 8/2002 | Ouyoung | | |

(57) **CLAIM**

The ornamental design for a spout, as shown and described.

DESCRIPTION

FIG. 1 is a perspective view of a spout of the new design; FIG. 2 is a left side elevational view of the spout of FIG. 1; FIG. 3 is a front elevational view of the spout of FIG. 1; FIG. 4 is a top plan view of the spout of FIG. 1; FIG. 5 is a right side elevational view of the spout of FIG. 1; FIG. 6 is a rear elevational view of the spout of FIG. 1; FIG. 7 is a bottom plan view of the spout of FIG. 1; FIG. 8 is a perspective view of a second embodiment of the spout of the new design; FIG. 9 is a left side elevational view of the spout of FIG. 8; FIG. 10 is a front elevational view of the spout of FIG. 8; FIG. 11 is a top plan view of the spout of FIG. 8; FIG. 12 is a right side elevational view of the spout of FIG. 8; FIG. 13 is a rear elevational view of the spout of FIG. 8; and, FIG. 14 is a bottom plan view of the spout of FIG. 8. The portions of the Figures shown in phantom lines are not part of the claimed design and are for illustration only.

1 Claim, 4 Drawing Sheets

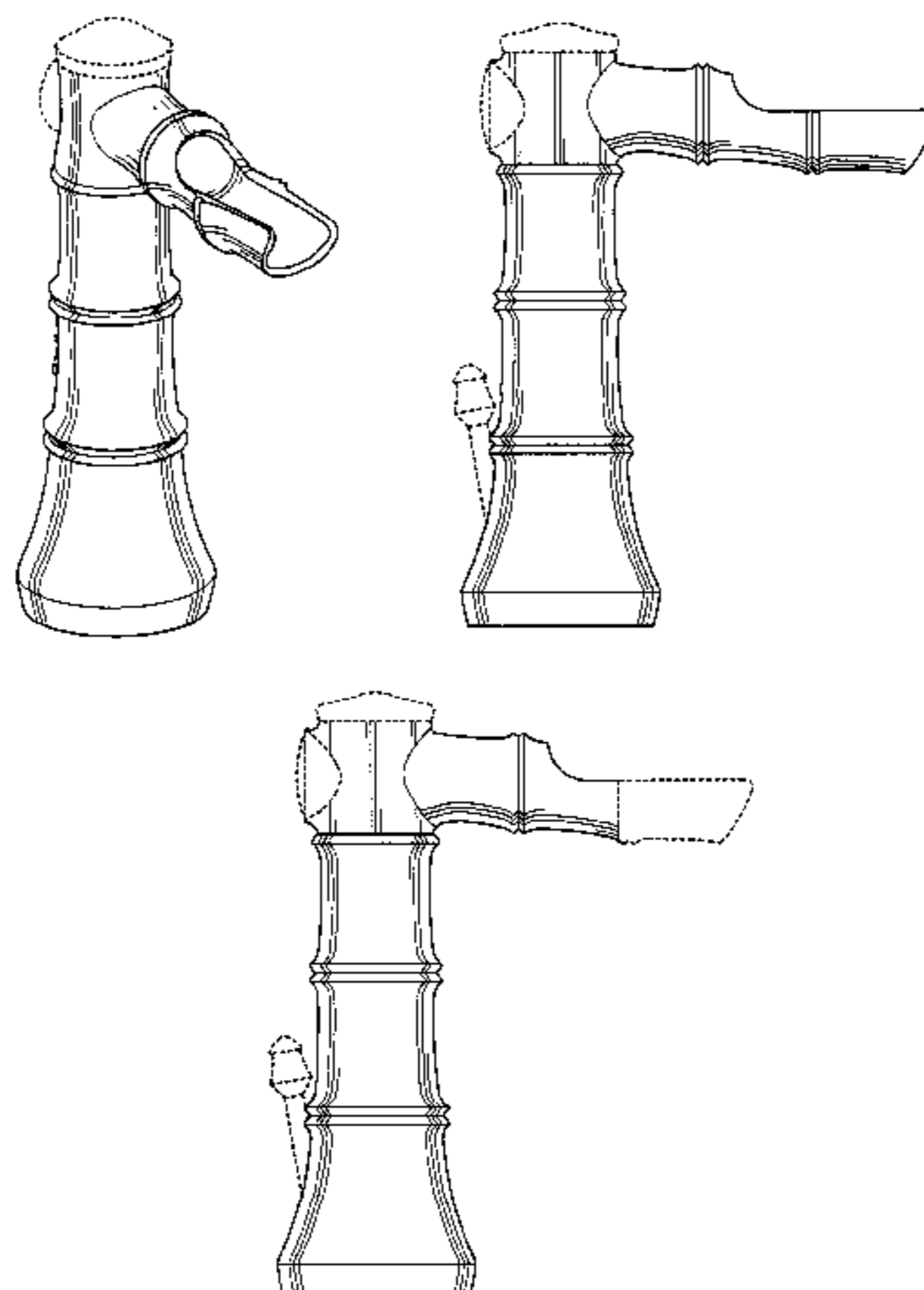


FIG. 1

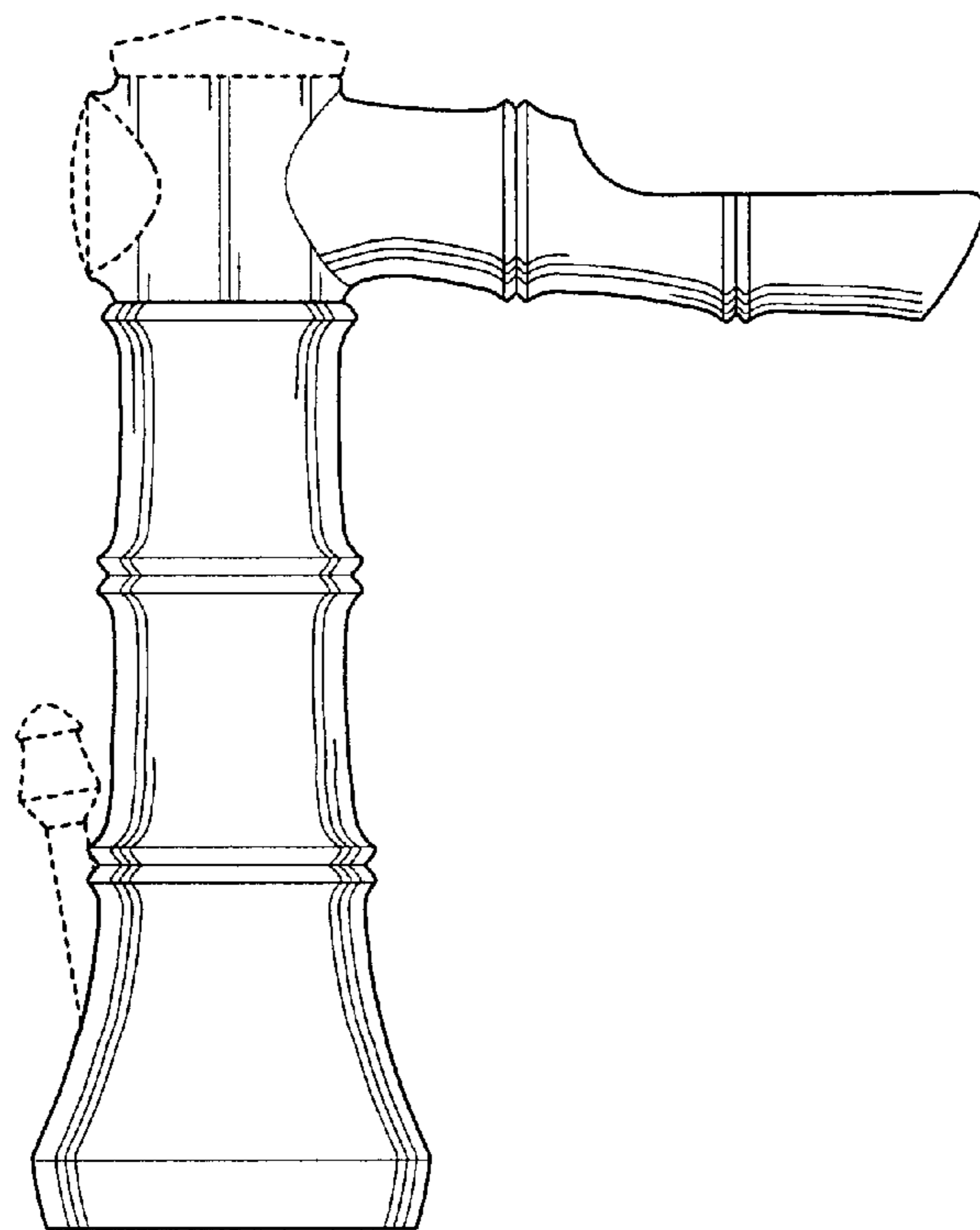
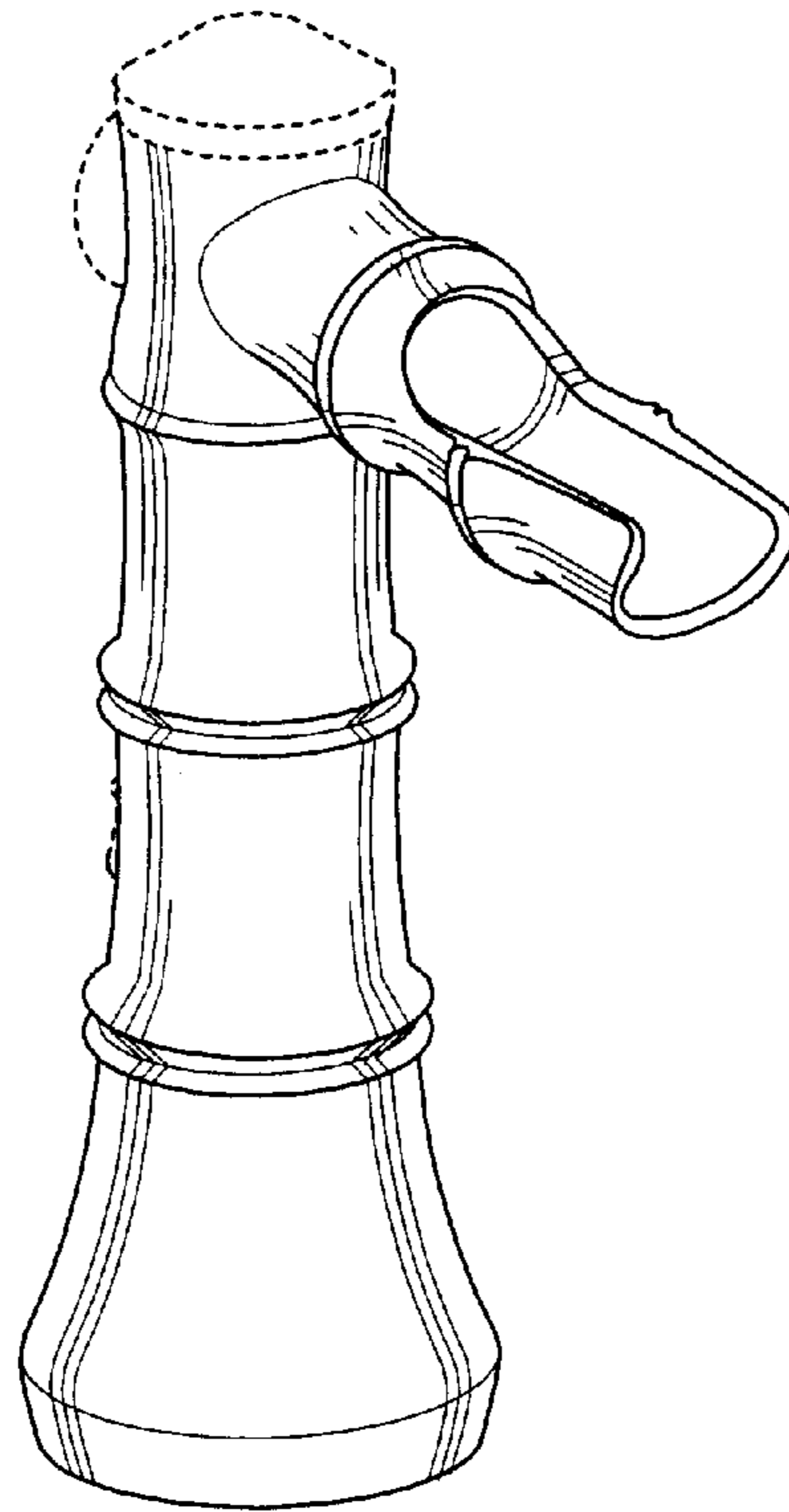


FIG. 2

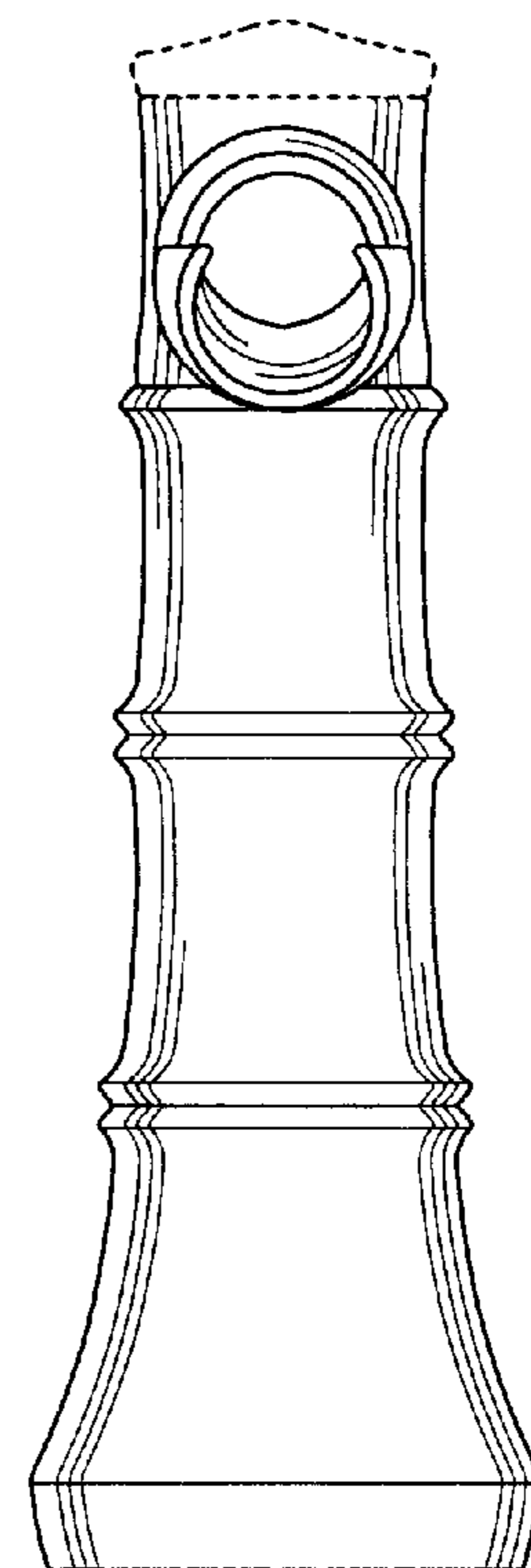


FIG. 3

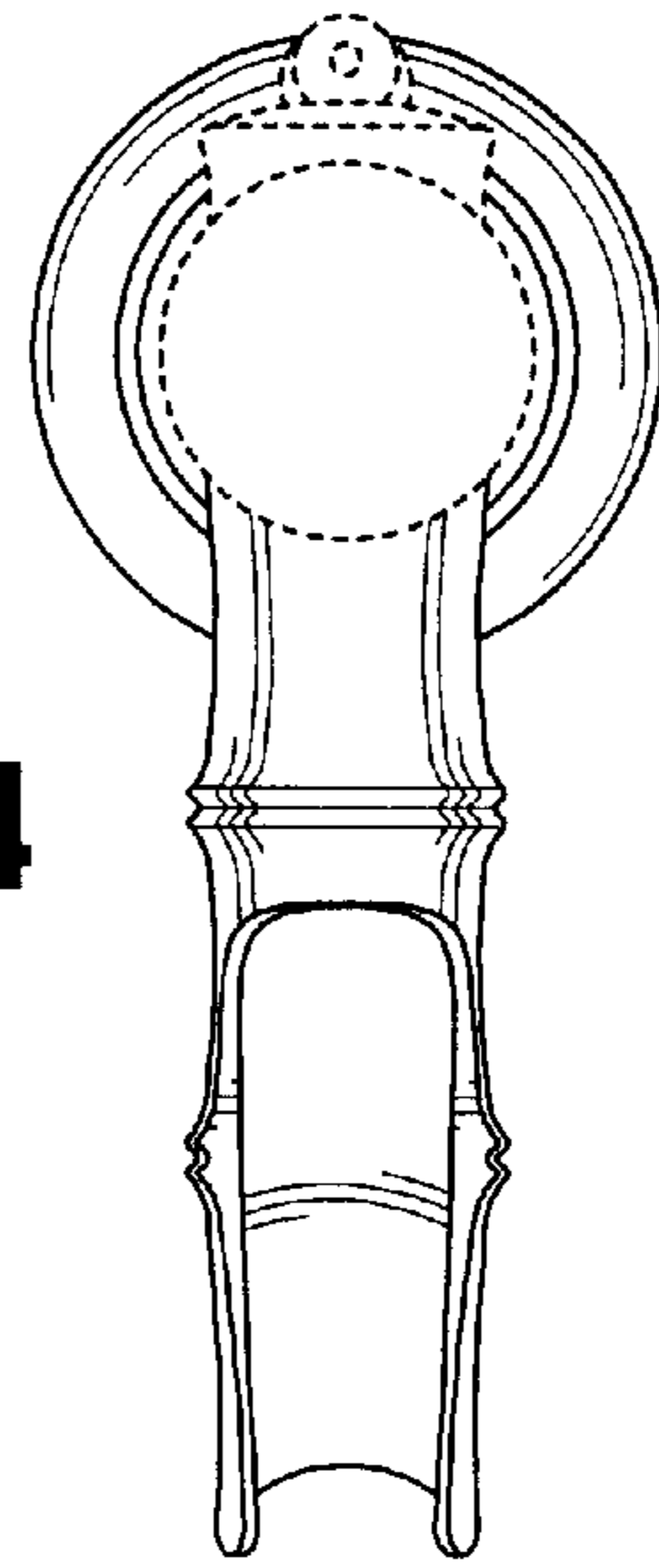


FIG. 4

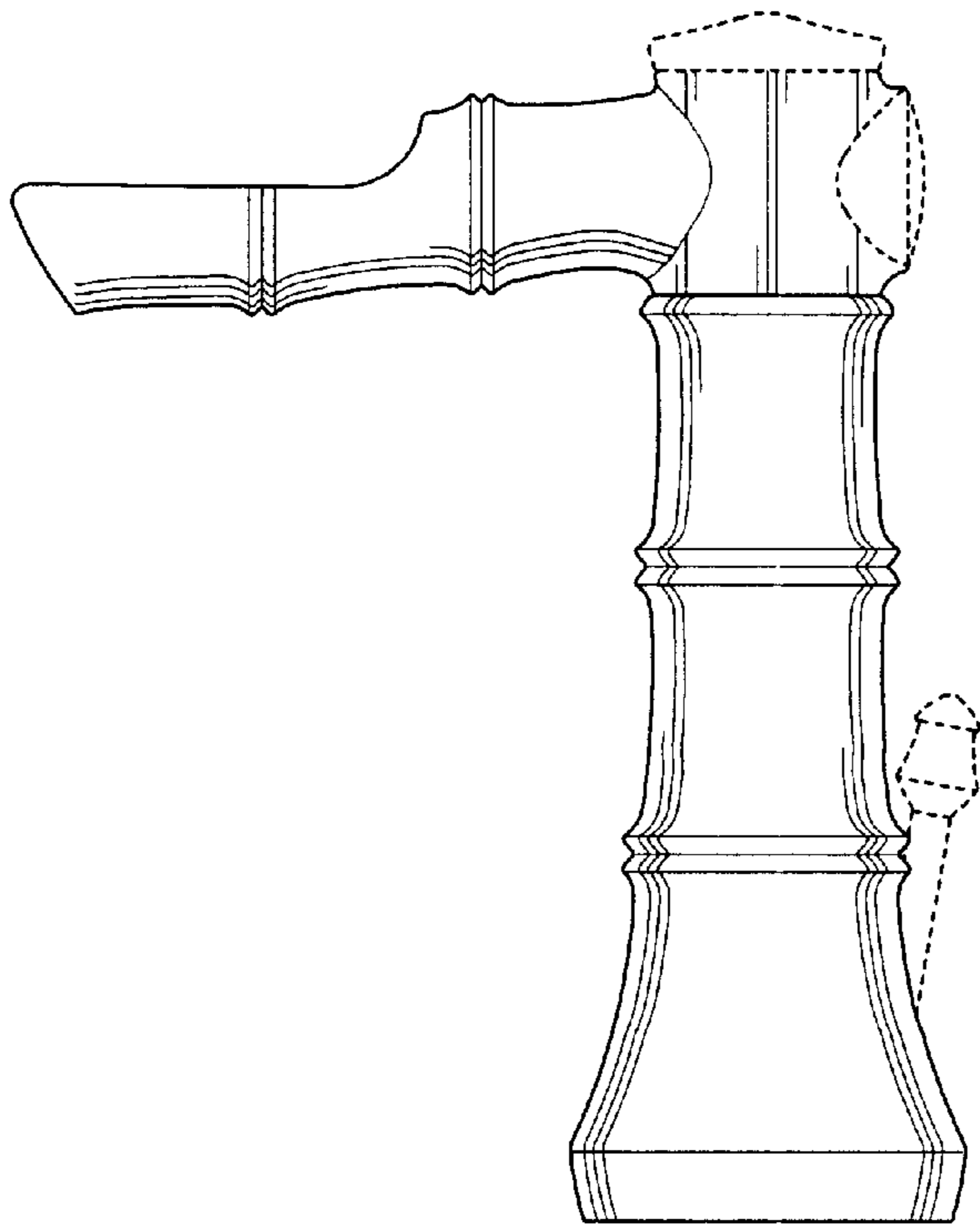


FIG. 5

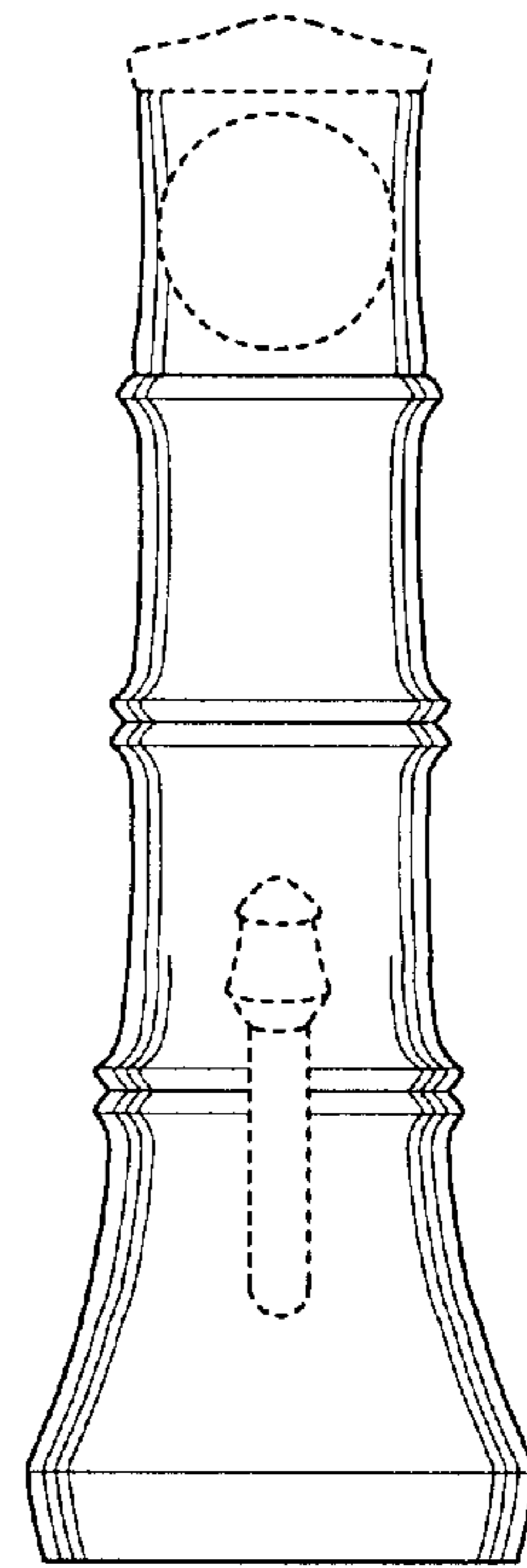


FIG. 6

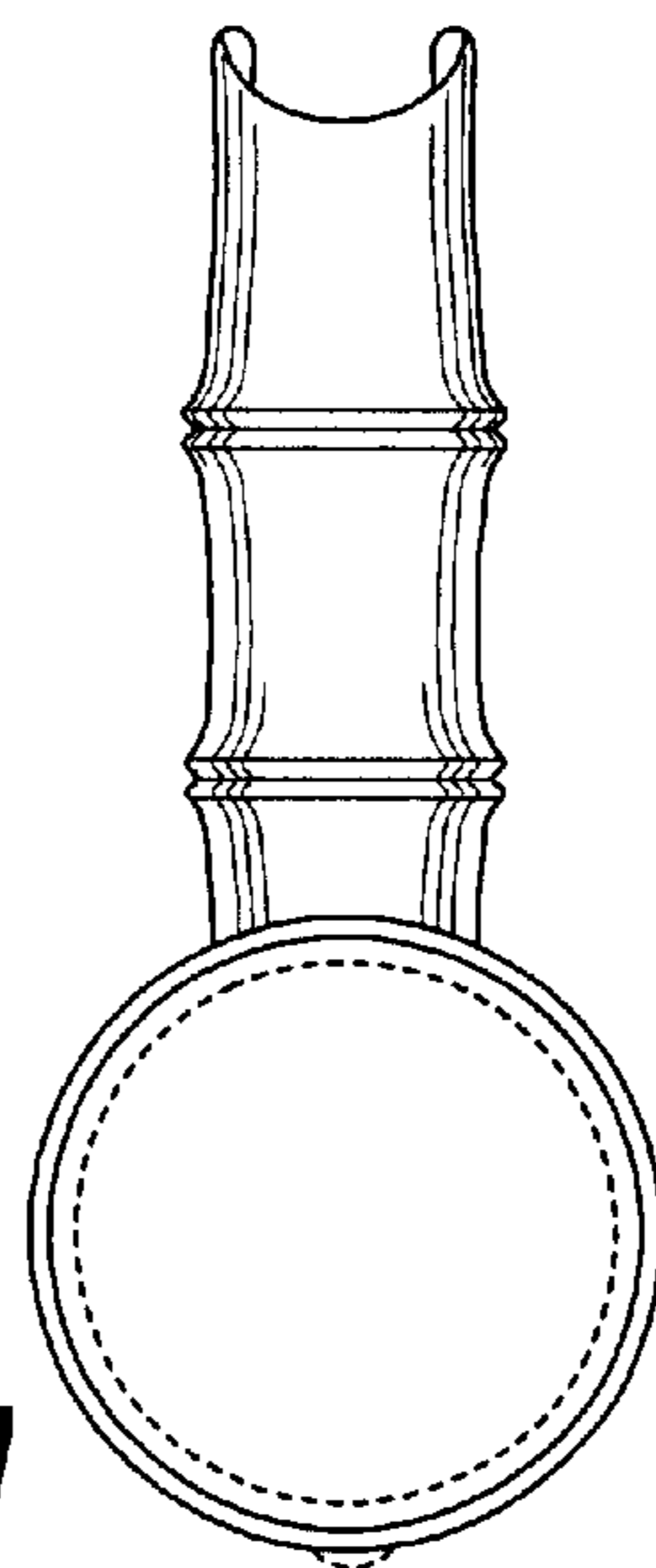


FIG. 7

FIG. 8

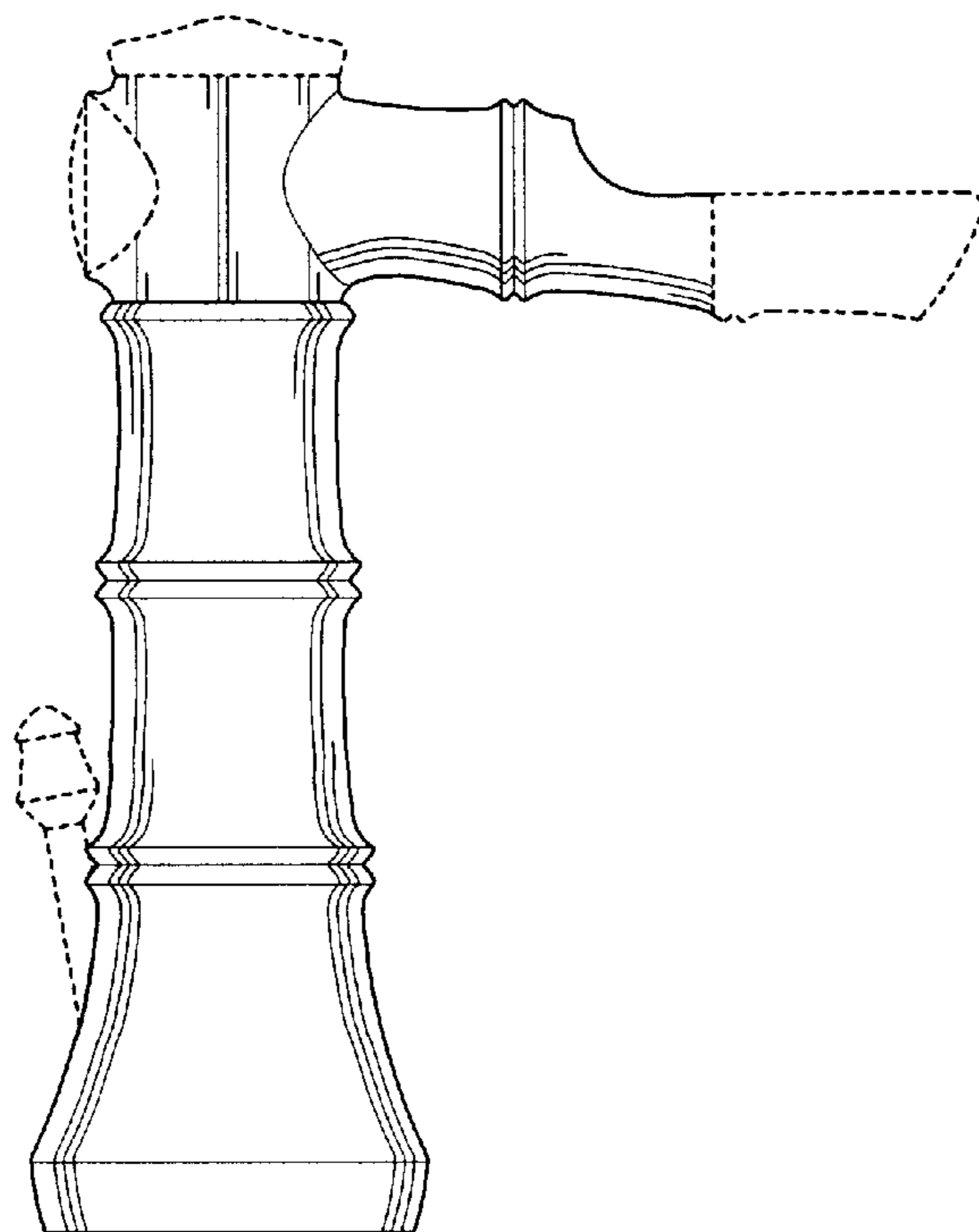
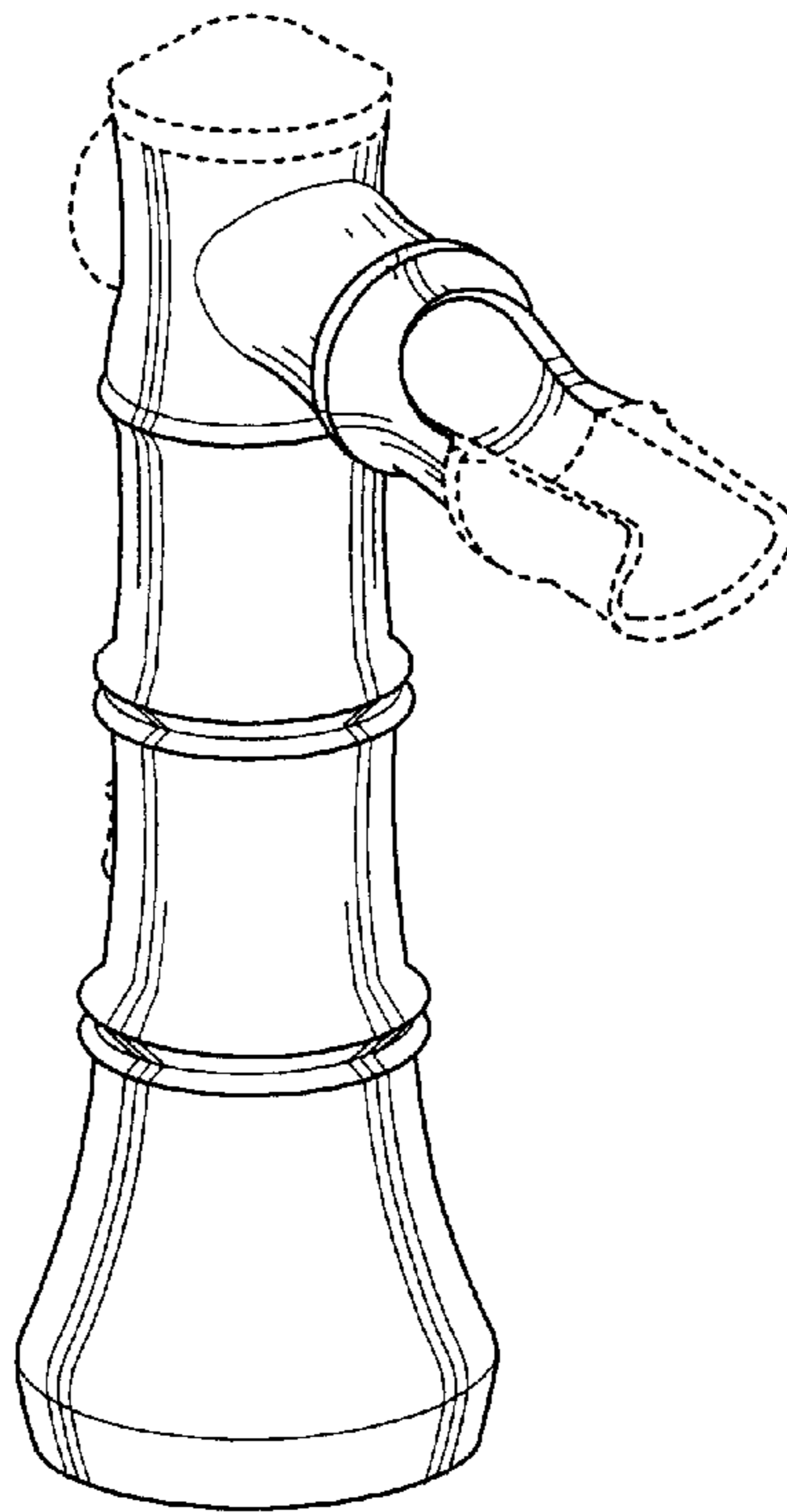


FIG. 9

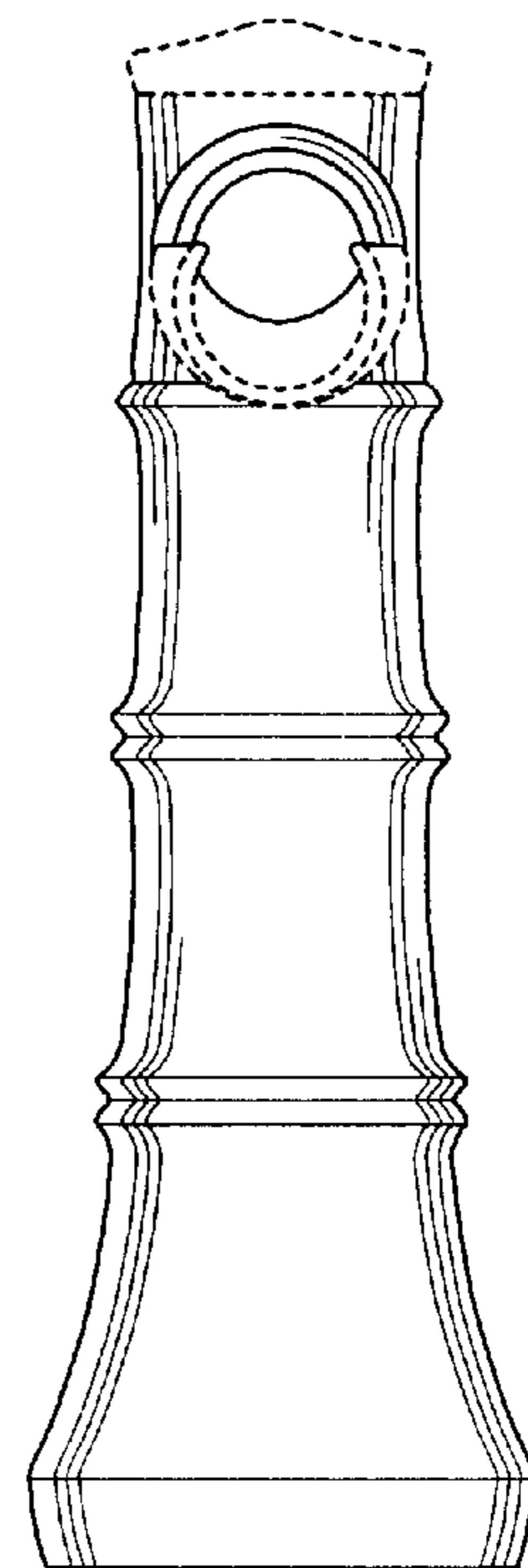


FIG. 10

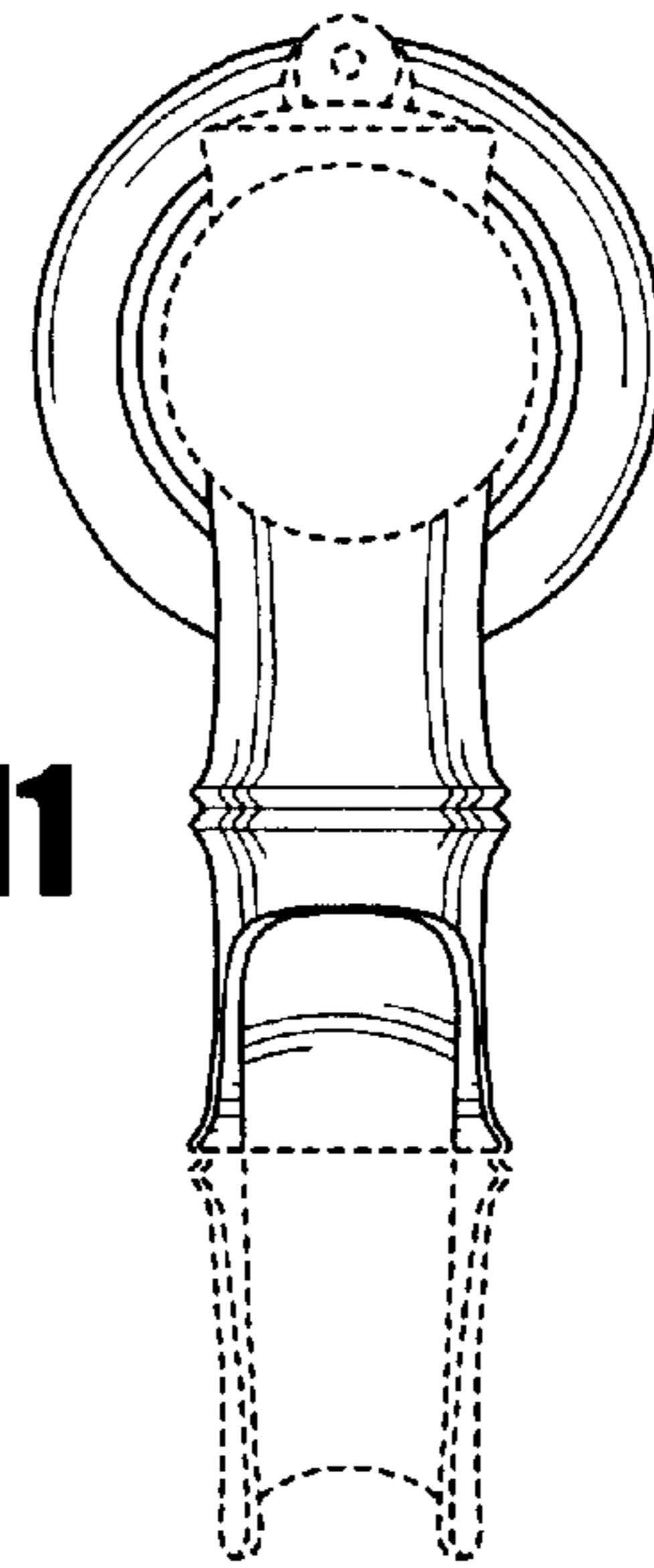


FIG. 11

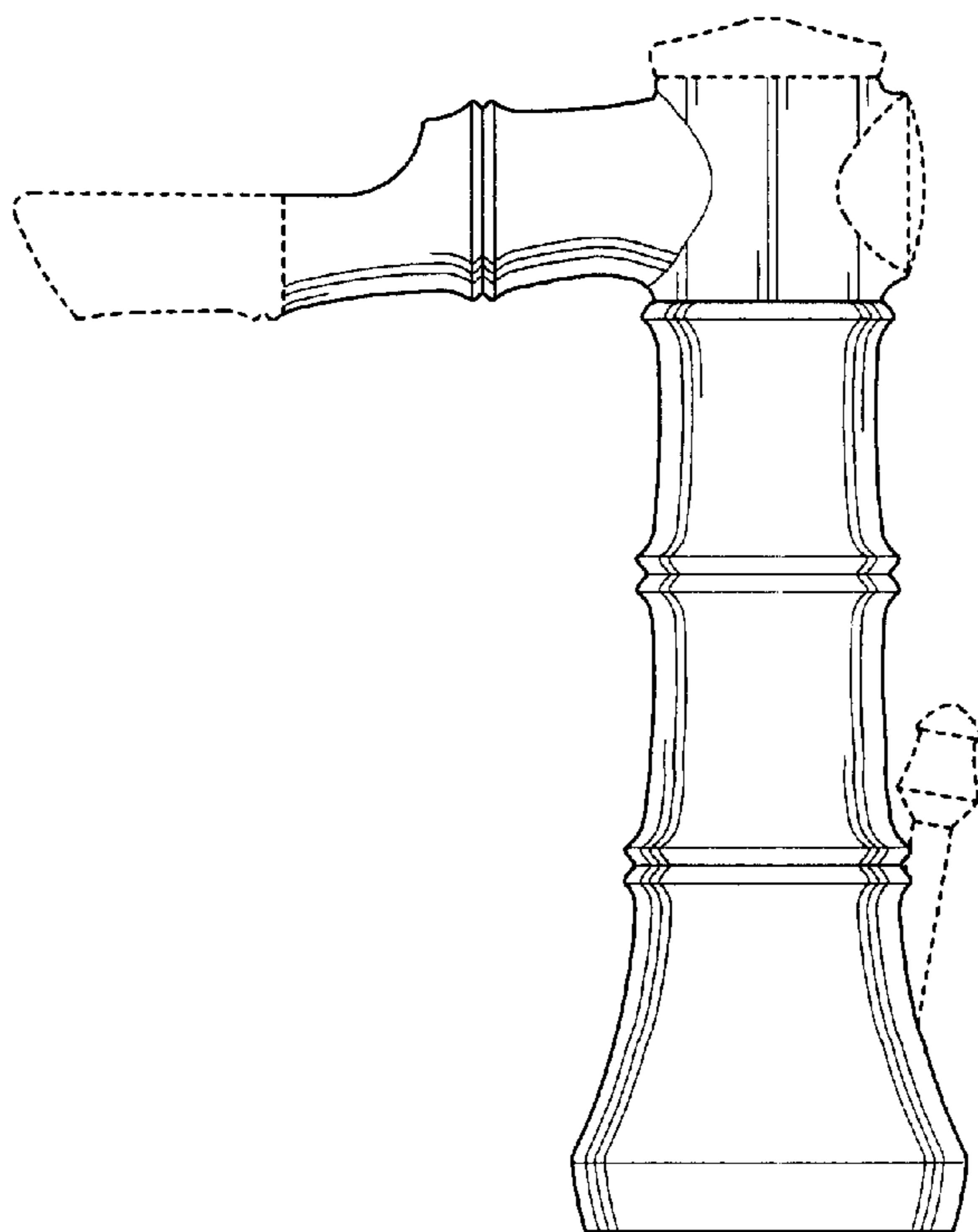


FIG. 12

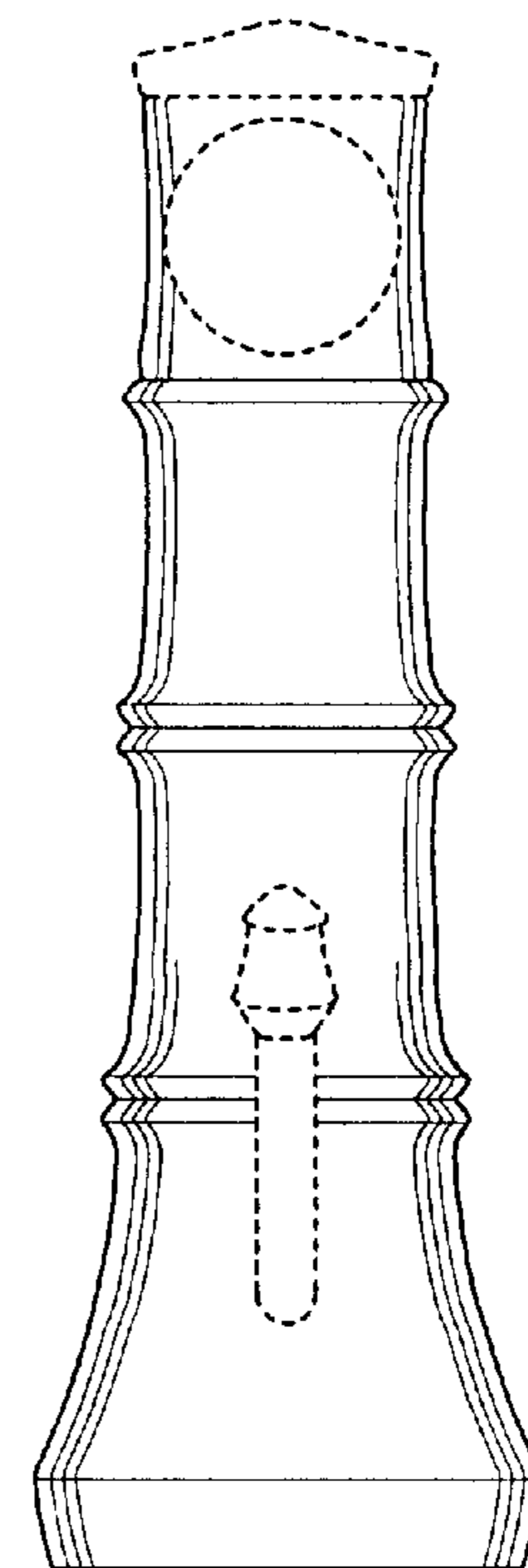


FIG. 13

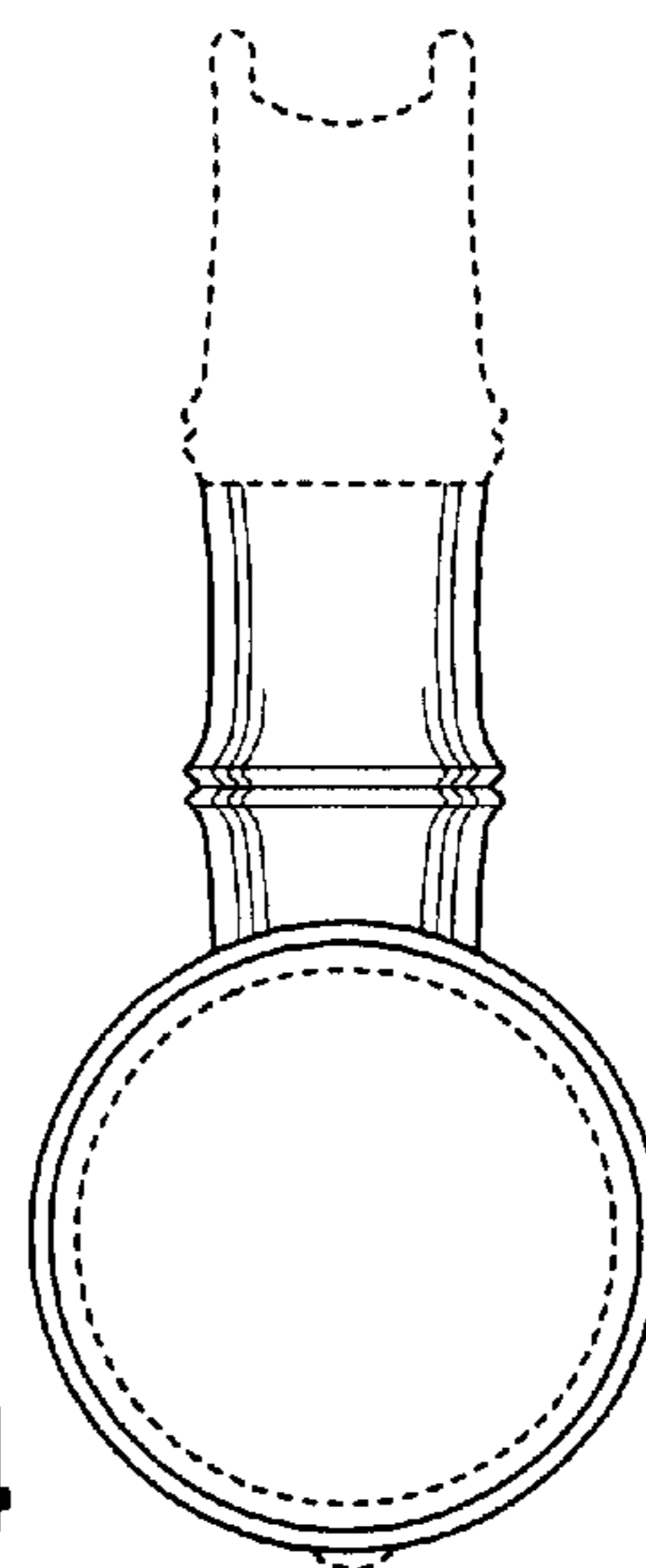


FIG. 14