

US00D521116S

(12) **United States Design Patent**  
**Hoernig**

(10) **Patent No.:** **US D521,116 S**

(45) **Date of Patent:** **\*\* May 16, 2006**

(54) **SHOWER CONTROL**

(75) Inventor: **Victor Hoernig**, Lowell, IN (US)

(73) Assignee: **Brasstech, Inc.**, Santa Ana, CA (US)

(\*\*) Term: **14 Years**

(21) Appl. No.: **29/226,706**

(22) Filed: **Mar. 31, 2005**

(51) **LOC (8) Cl.** ..... **23-01**

(52) **U.S. Cl.** ..... **D23/254; D23/252**

(58) **Field of Classification Search** ..... D23/238-257;  
D8/250-257, 300-322, DIG. 3; 16/110.1;  
4/675-678; 137/801

See application file for complete search history.

(56) **References Cited**

**U.S. PATENT DOCUMENTS**

|            |   |         |               |       |         |
|------------|---|---------|---------------|-------|---------|
| D143,100 S | * | 12/1945 | Stanitz       | ..... | D23/250 |
| D325,425 S | * | 4/1992  | Bengtson      | ..... | D23/250 |
| D458,344 S | * | 6/2002  | Mullenmeister | ..... | D23/250 |
| D459,445 S | * | 6/2002  | Mullenmeister | ..... | D23/254 |
| D493,869 S | * | 8/2004  | Citterio      | ..... | D23/245 |

D508,110 S \* 8/2005 Spangler ..... D23/252

\* cited by examiner

*Primary Examiner*—Louis S. Zarfes

*Assistant Examiner*—Gregory Andoll

(74) *Attorney, Agent, or Firm*—Kwadjo Adusei-Poku;  
Lloyd D. Doigan

(57) **CLAIM**

The ornamental design for a shower control, as shown and described.

**DESCRIPTION**

FIG. 1 is a front perspective view of a shower control showing my design;

FIG. 2 is a front elevational view thereof;

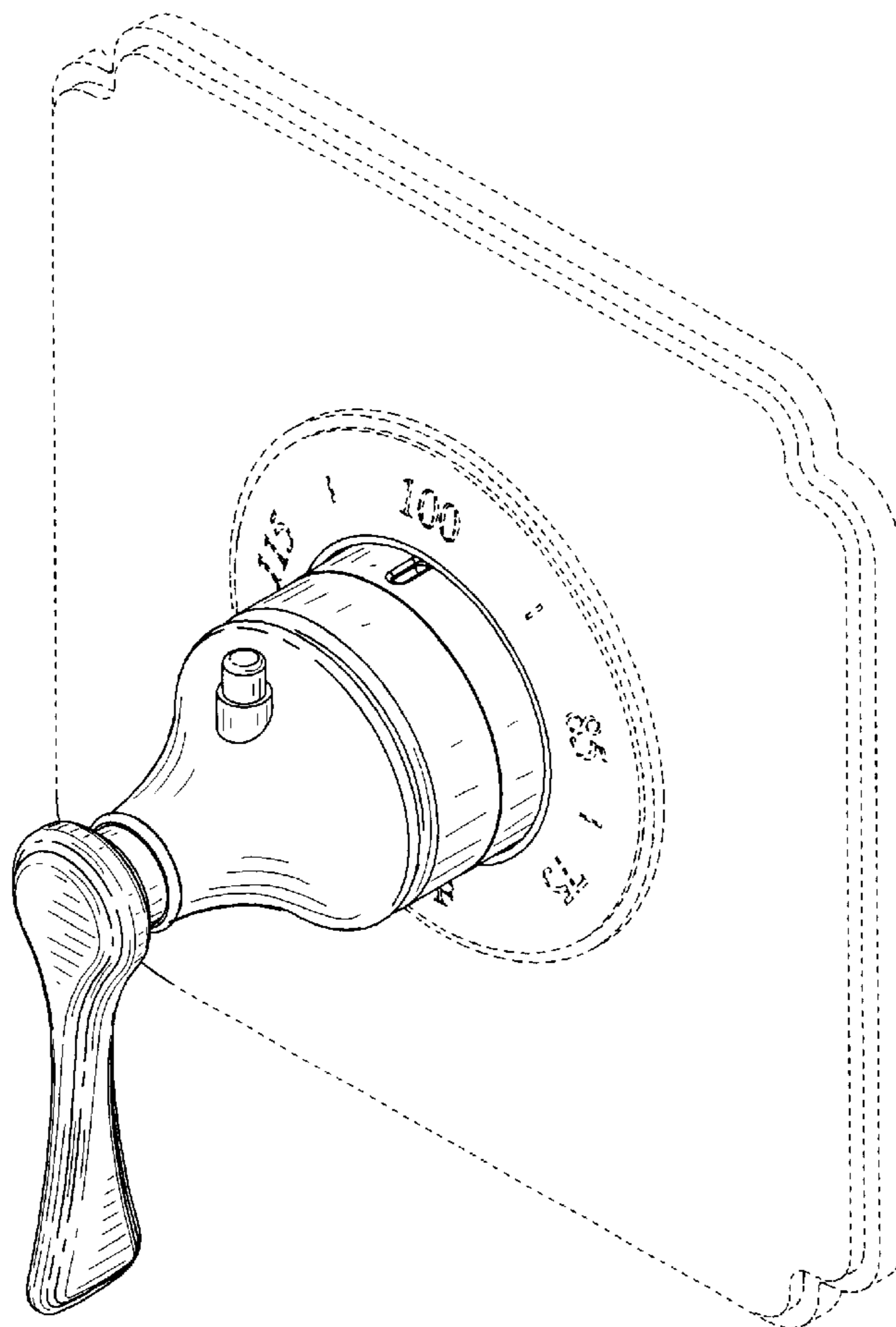
FIG. 3 is a left side elevational view, the right side elevational view being a mirror image thereof;

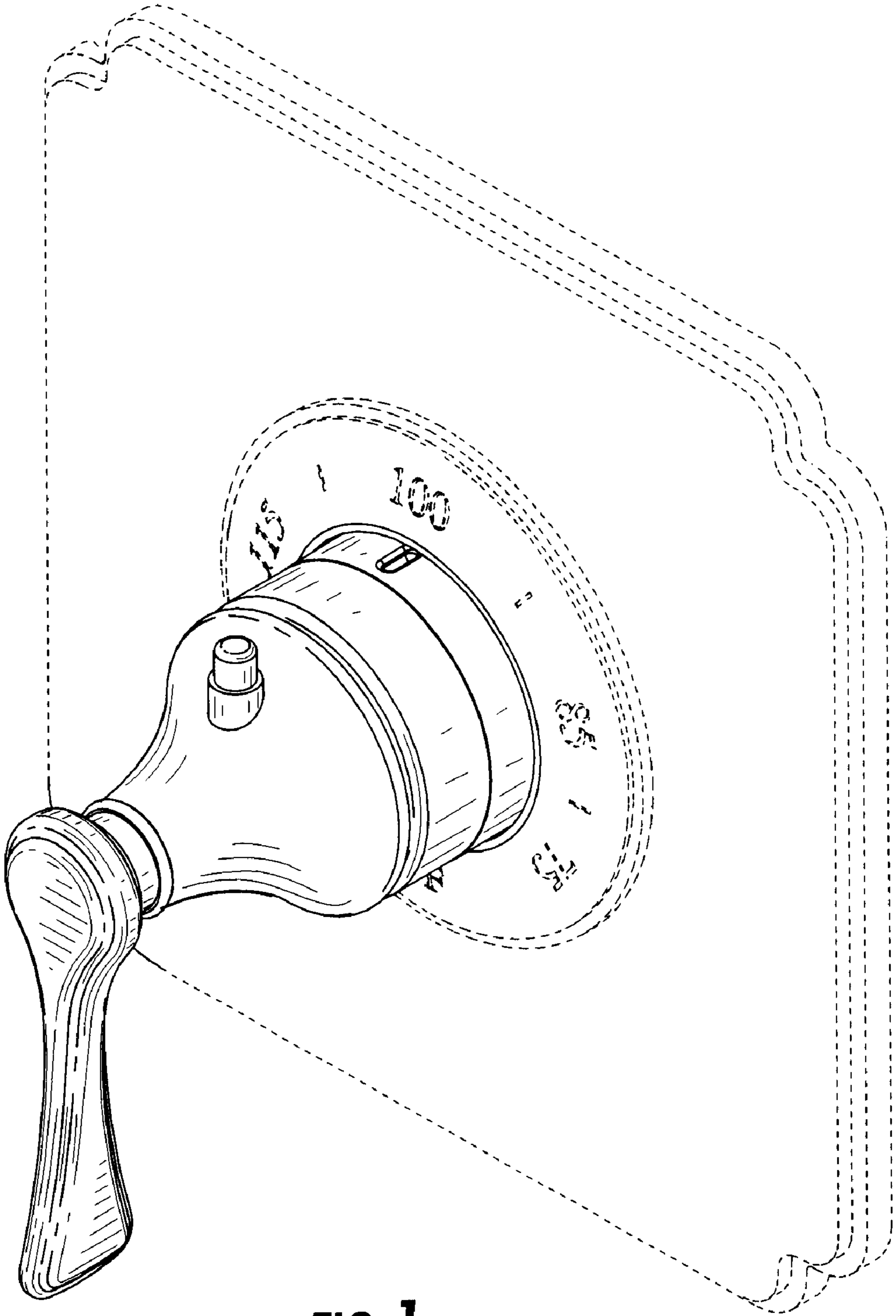
FIG. 4 is a top plan view thereof; and,

FIG. 5 is a bottom plan view thereof.

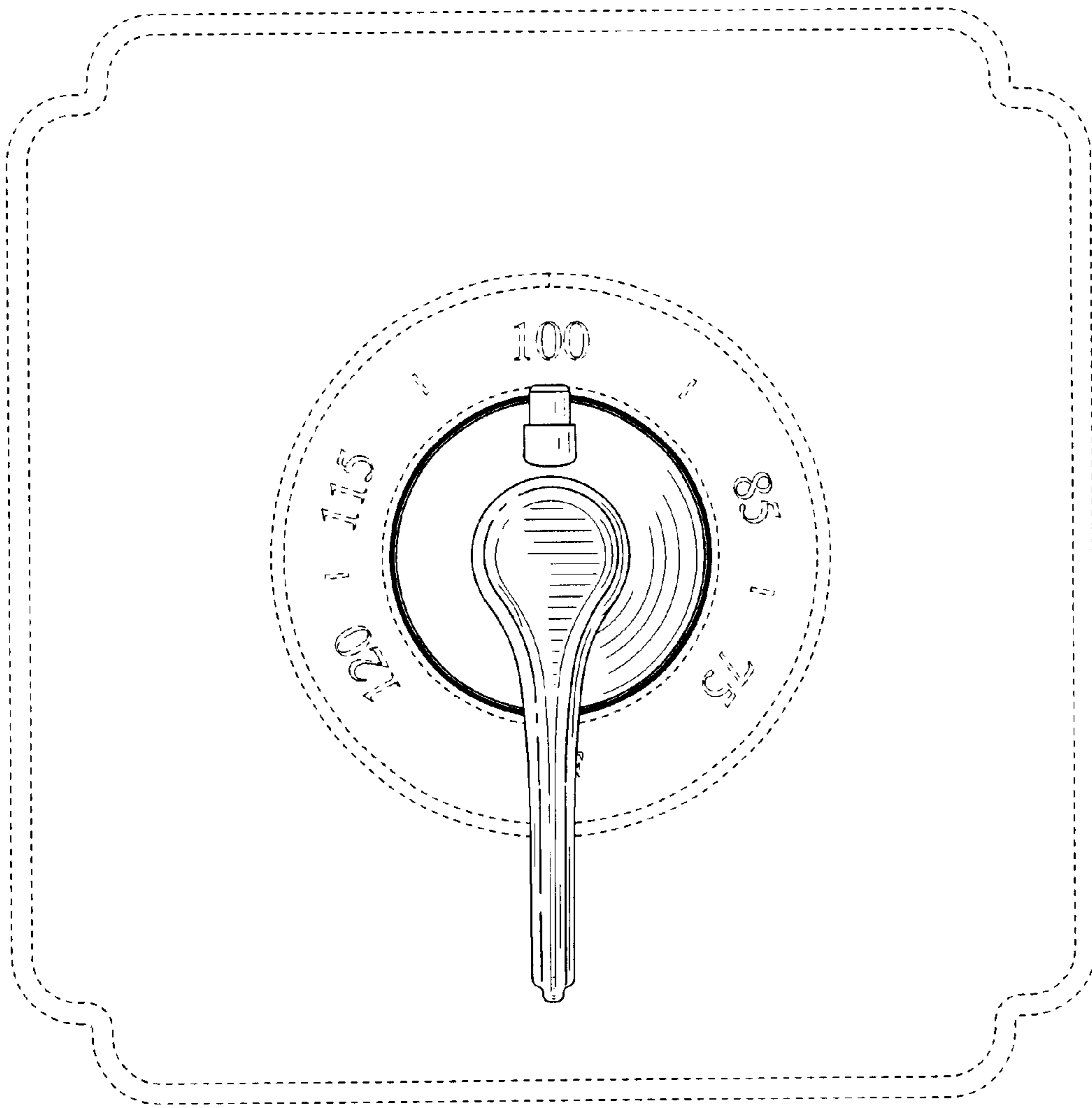
The broken lines in the Figures are for illustrative purposes only and form no part of the claimed design.

**1 Claim, 5 Drawing Sheets**

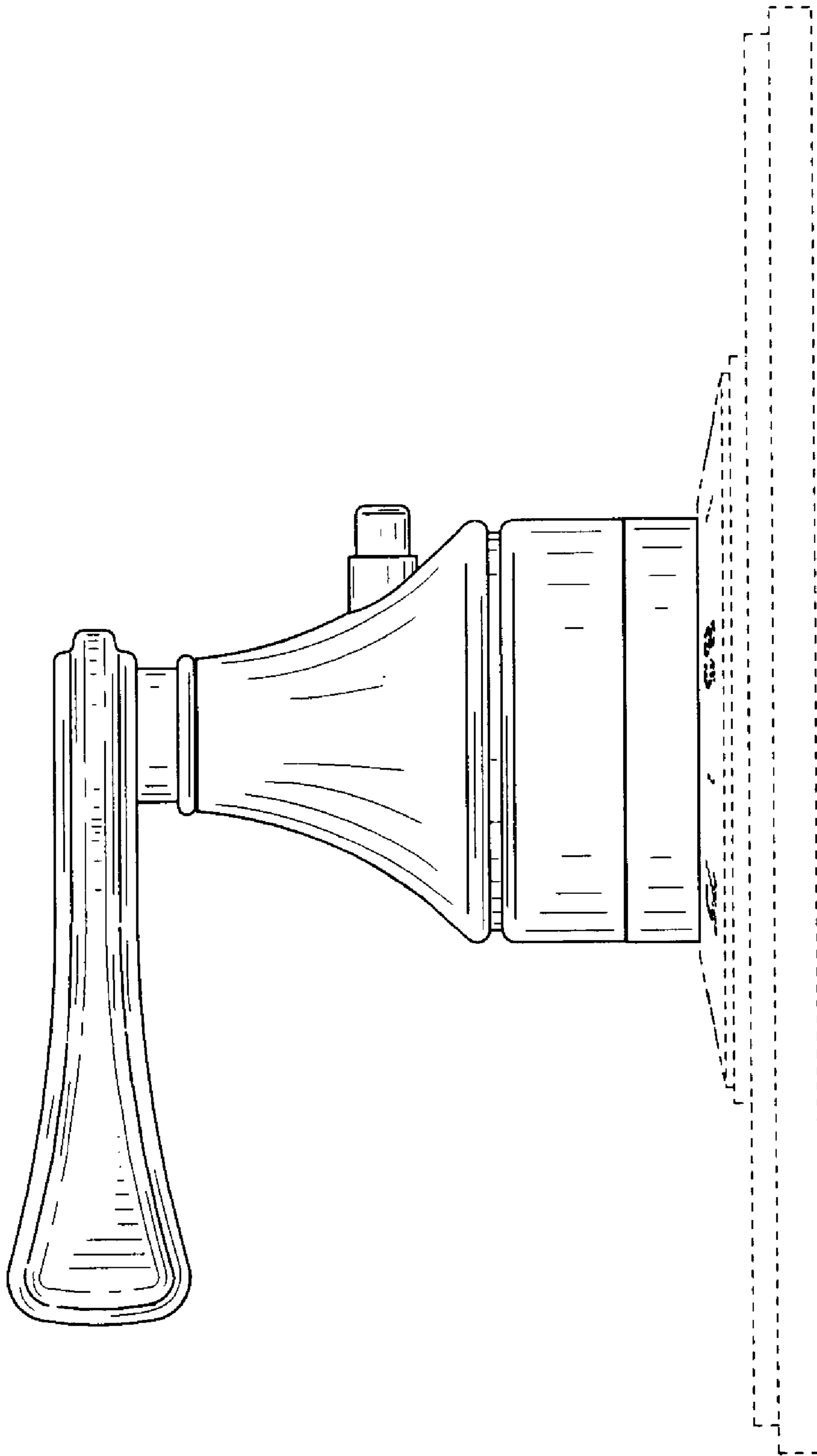




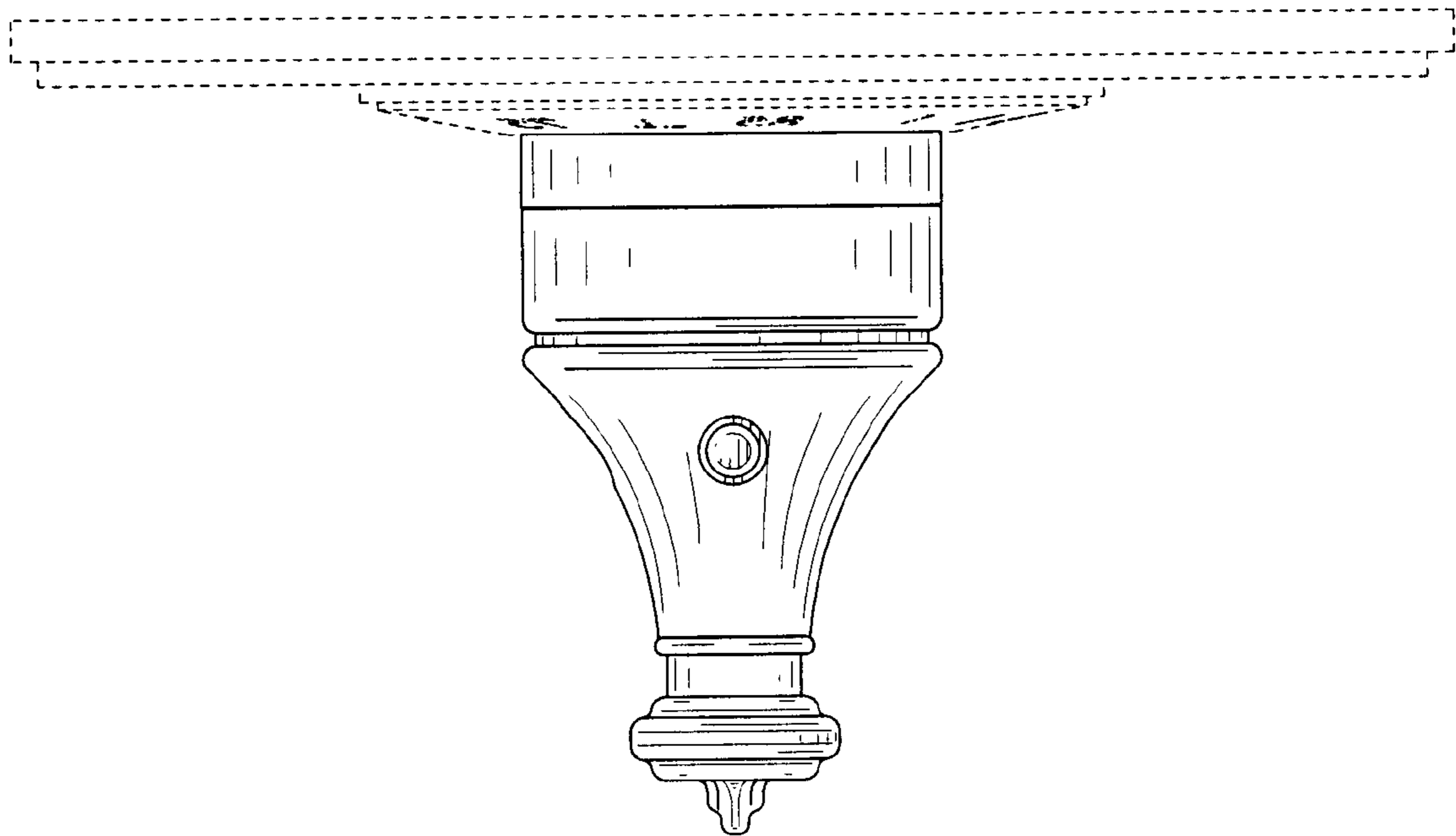
**FIG. 1**



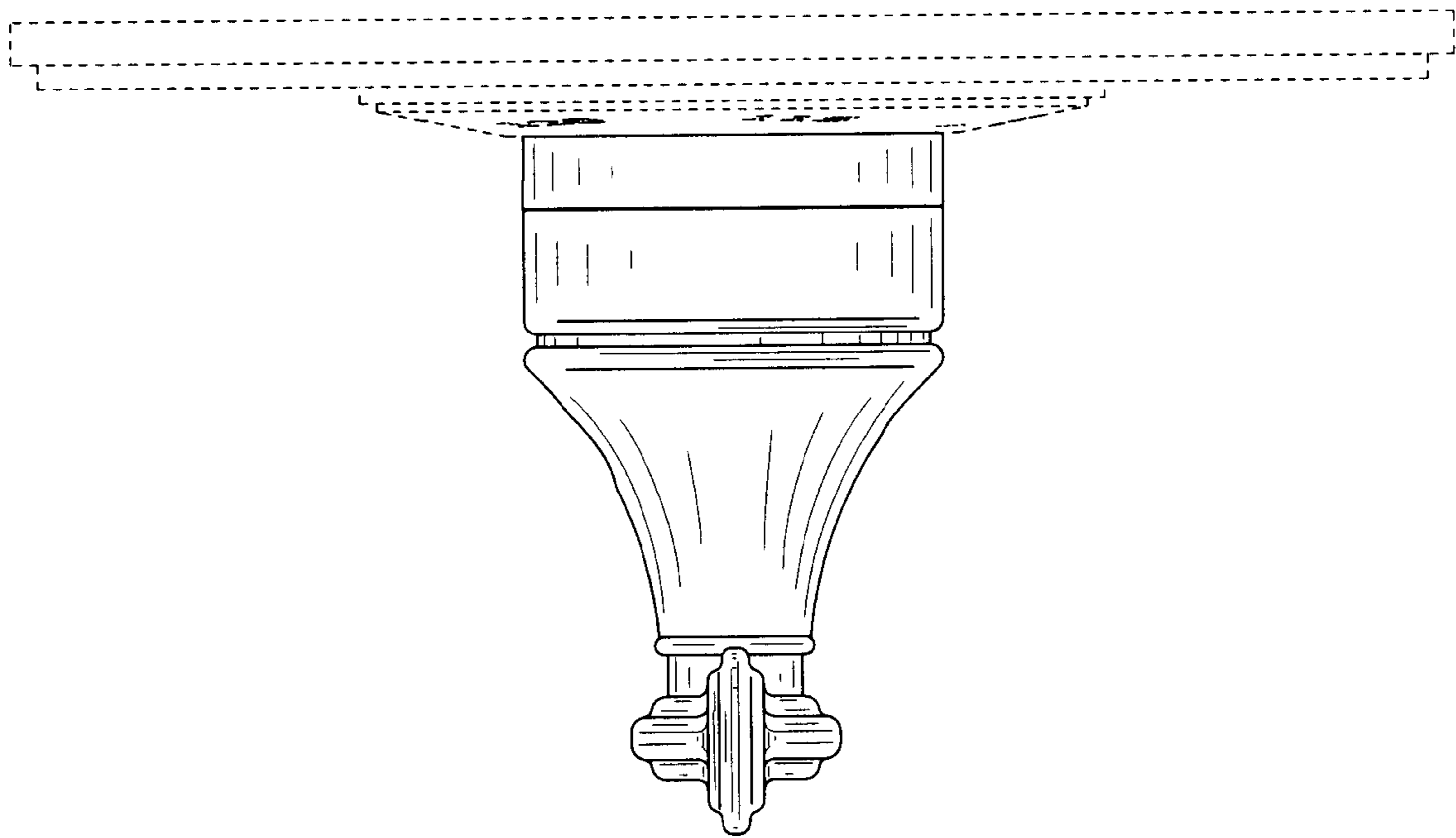
**FIG. 2**



**FIG. 3**



**FIG. 4**



**FIG. 5**