

US00D521114S

(12) **United States Design Patent**
Kennard

(10) **Patent No.:** **US D521,114 S**

(45) **Date of Patent:** **** May 16, 2006**

(54) **FAUCET BASE**

D477,656 S * 7/2003 Svendsen et al. D23/249
D492,012 S * 6/2004 Lin D23/249

(75) Inventor: **Dan Kennard**, Norcross, GA (US)

* cited by examiner

(73) Assignee: **Fusion Hardware Group, Inc.**,
Norcross, GA (US)

Primary Examiner—Louis S. Zarfes

Assistant Examiner—Gregory Andoll

(**) Term: **14 Years**

(74) *Attorney, Agent, or Firm*—Troxell Law Office, PLLC

(21) Appl. No.: **29/206,818**

(57) **CLAIM**

(22) Filed: **Jun. 4, 2004**

The ornamental design for faucet base, as show and described.

(51) **LOC (8) Cl.** **23-01**

DESCRIPTION

(52) **U.S. Cl.** **D23/249**

(58) **Field of Classification Search** D23/238–257;
4/675–678; 137/801

FIG. 1 is a perspective view of faucet base showing my new design;

FIG. 2 is a front elevational view thereof;

FIG. 3 is a rear elevational view thereof;

FIG. 4 is a left elevational view thereof;

FIG. 5 is a right elevational view thereof; and,

FIG. 6 is a top plan view thereof.

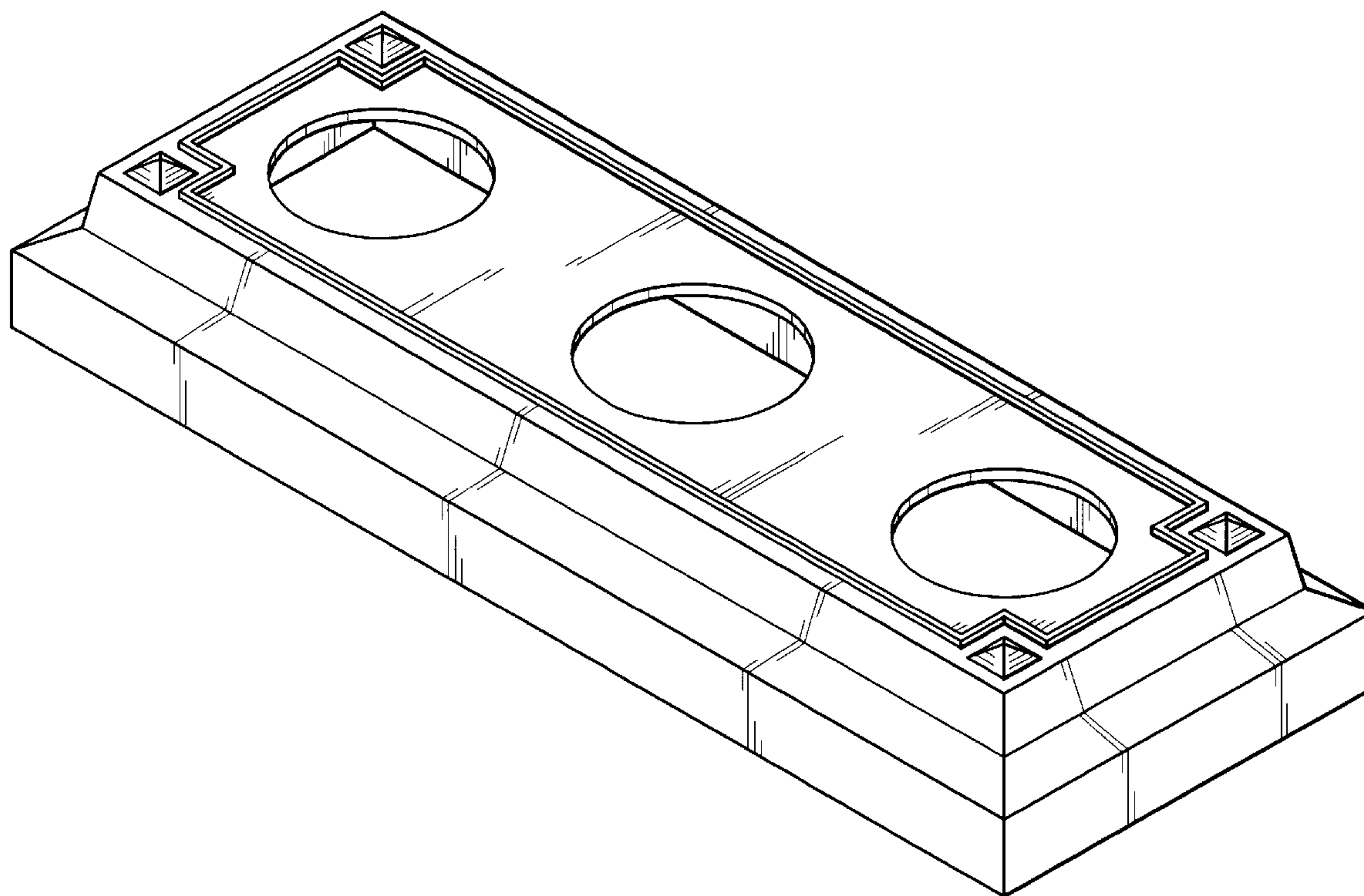
See application file for complete search history.

(56) **References Cited**

U.S. PATENT DOCUMENTS

D461,527 S * 8/2002 Ko D23/241

1 Claim, 4 Drawing Sheets



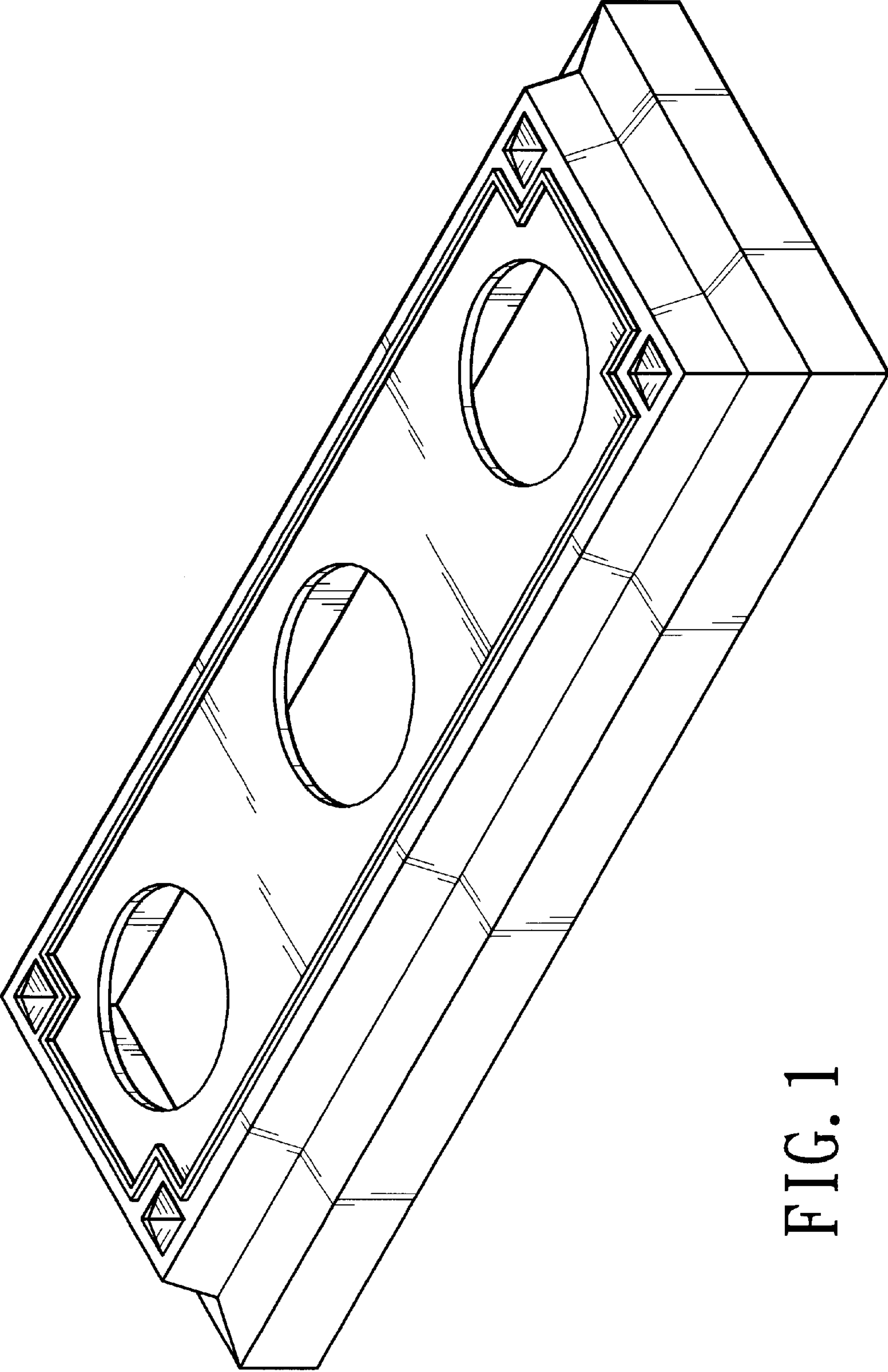


FIG. 1

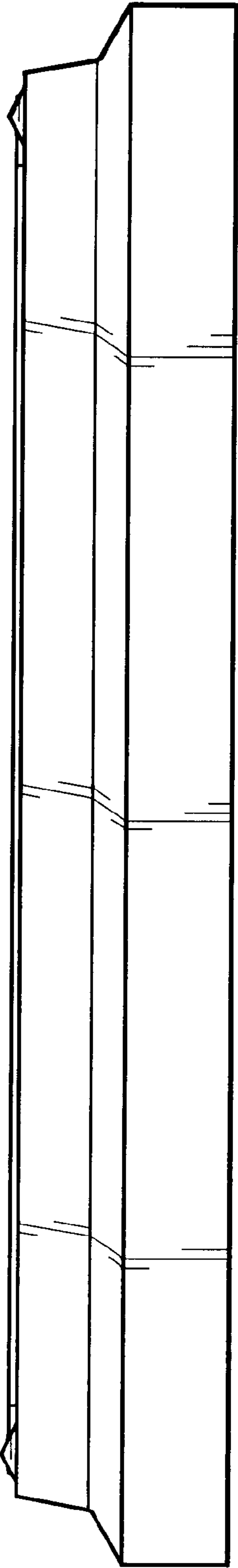


FIG. 2

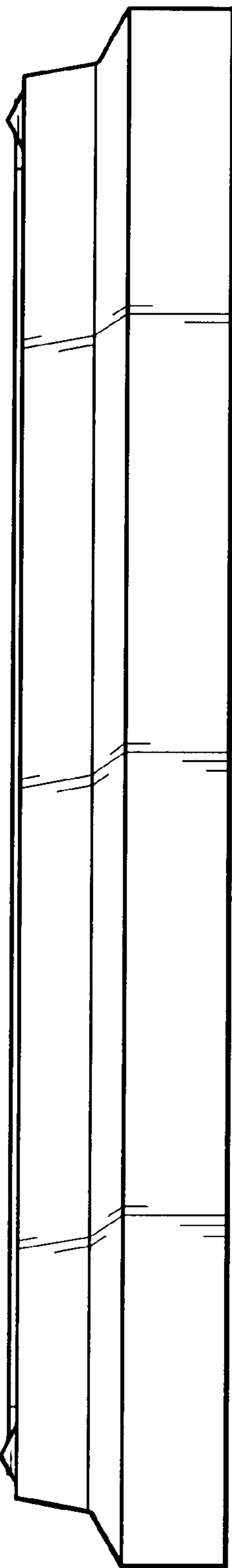


FIG. 3

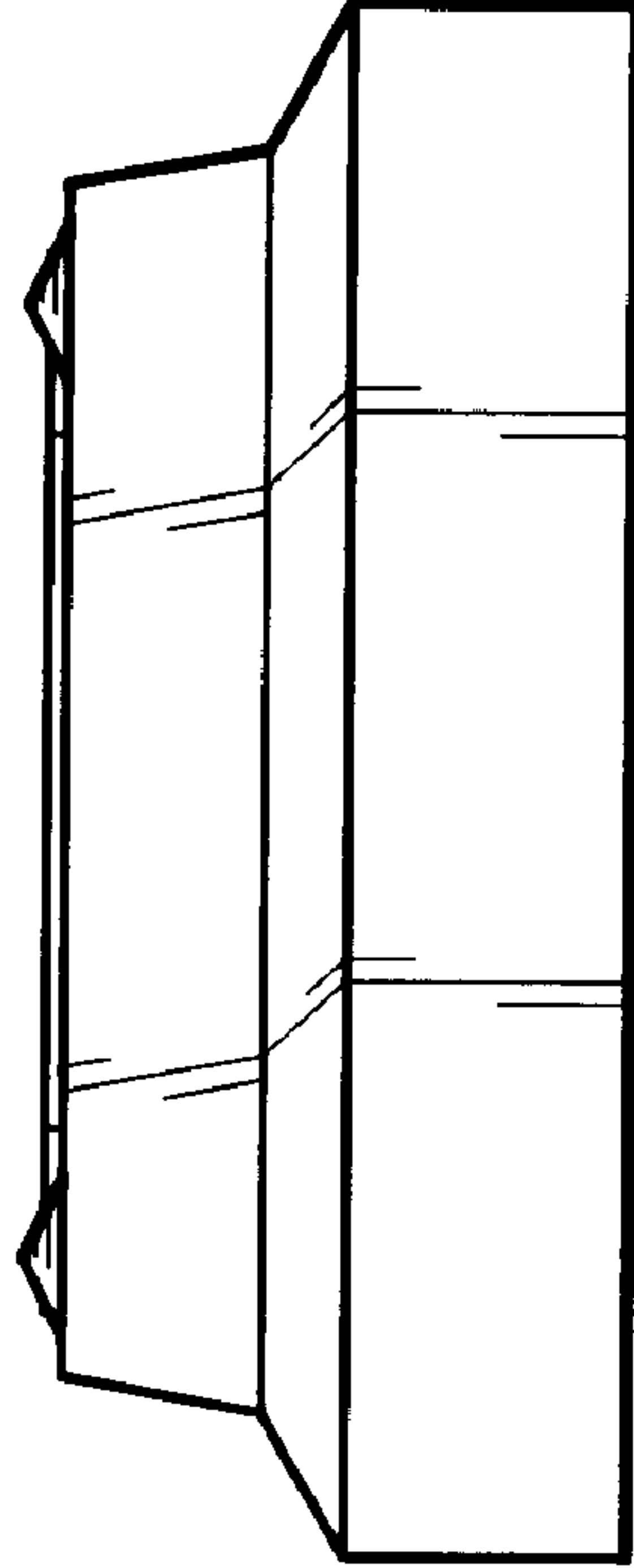


FIG. 4

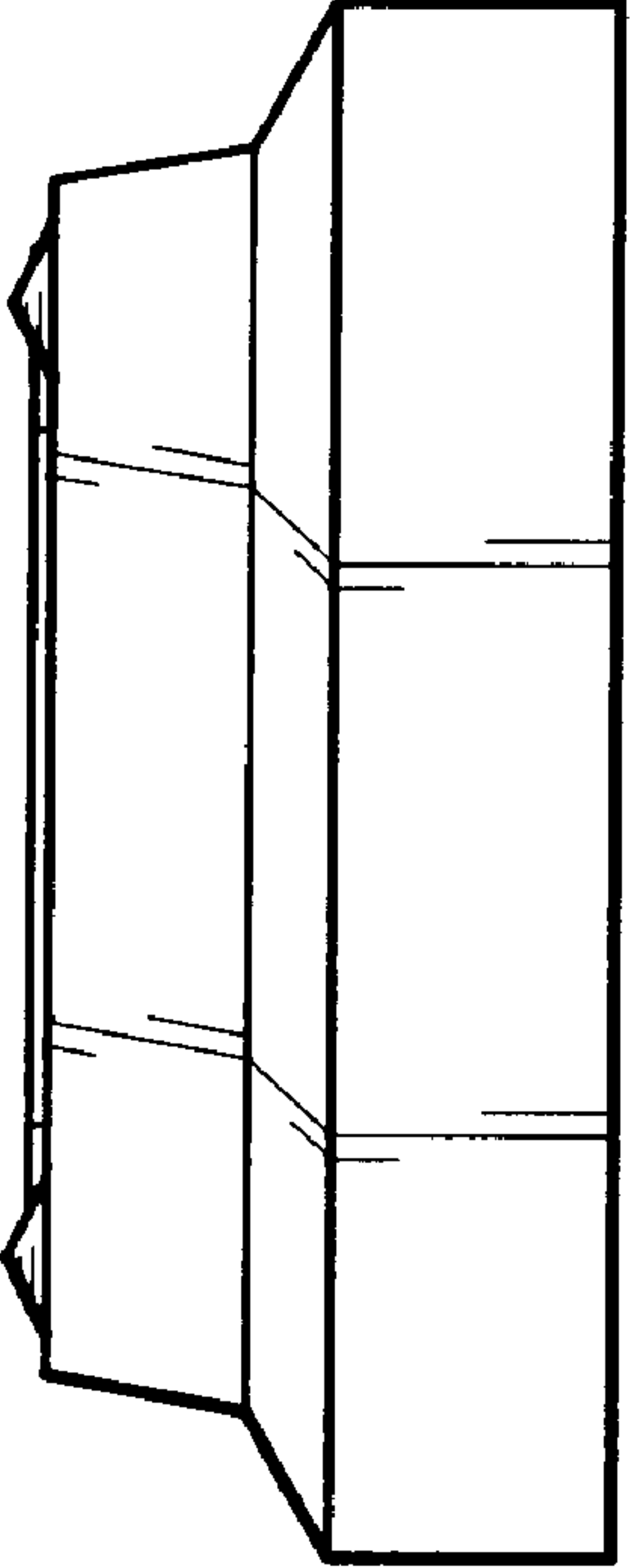


FIG. 5

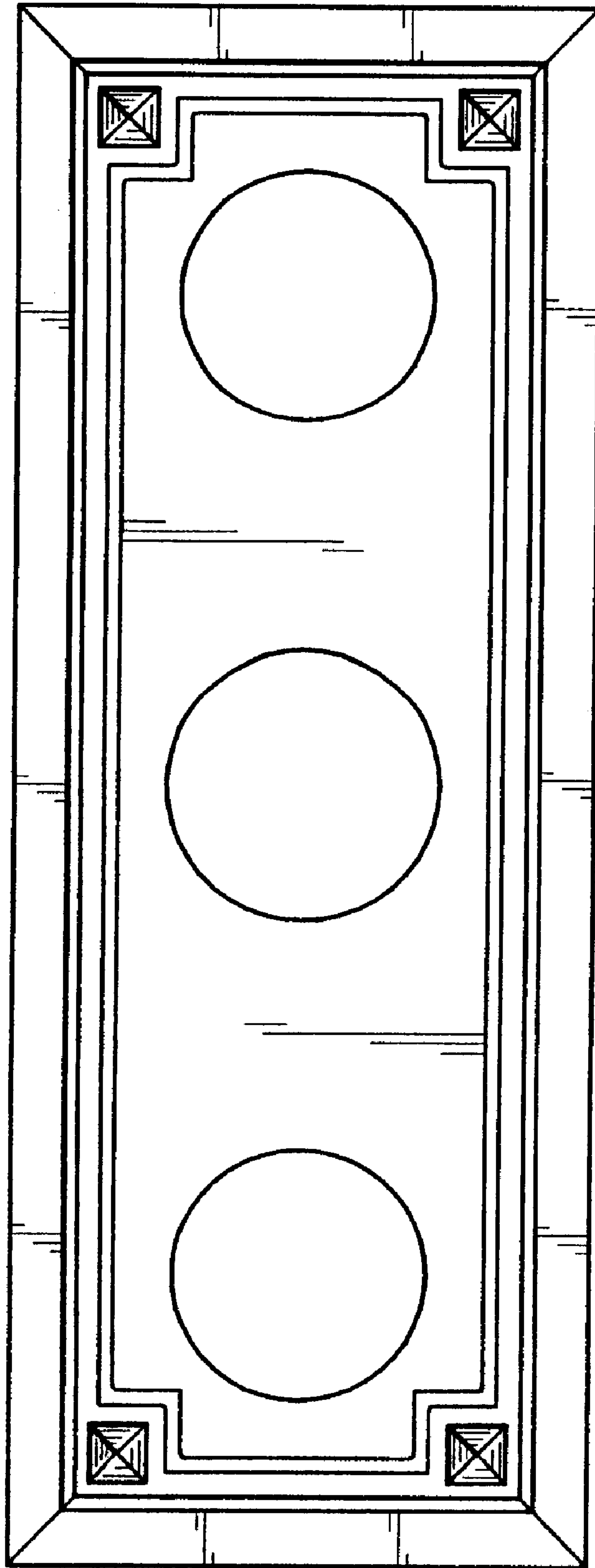


FIG. 6