

US00D521113S

(12) **United States Design Patent**  
**Ball**

(10) **Patent No.:** **US D521,113 S**

(45) **Date of Patent:** **\*\* May 16, 2006**

(54) **HYDRANT HANDLE**

(75) **Inventor:** **William T. Ball**, Colorado Springs, CO (US)

(73) **Assignee:** **WCM Industries, Inc.**, Colorado Springs, CO (US)

(\*\*) **Term:** **14 Years**

(21) **Appl. No.:** **29/210,558**

(22) **Filed:** **Aug. 3, 2004**

(51) **LOC (8) Cl.** ..... **23-01**

(52) **U.S. Cl.** ..... **D23/245**

(58) **Field of Classification Search** ..... D23/233-237, D23/244-245; 137/301-307, 554; 251/335.3, 251/332, 305, 309-310, 314, 315.1, 315.01  
See application file for complete search history.

(56) **References Cited**

**U.S. PATENT DOCUMENTS**

D244,605 S \* 6/1977 Ratnik ..... D23/234  
D249,060 S \* 8/1978 Ratnik ..... D23/250

D297,971 S \* 10/1988 Kiyota et al. .... D23/245  
D421,092 S \* 2/2000 Martin ..... D23/233  
D439,311 S \* 3/2001 Martin ..... D23/233  
D473,631 S \* 4/2003 Lai ..... D23/245

\* cited by examiner

*Primary Examiner*—Ian Simmons

*Assistant Examiner*—Maurice Stevens

(57) **CLAIM**

The ornamental design for a hydrant handle, as shown and described.

**DESCRIPTION**

FIG. 1 is a perspective view of the hydrant handle showing my new design;

FIG. 2 is a top plan view thereof;

FIG. 3 is a front elevational view thereof;

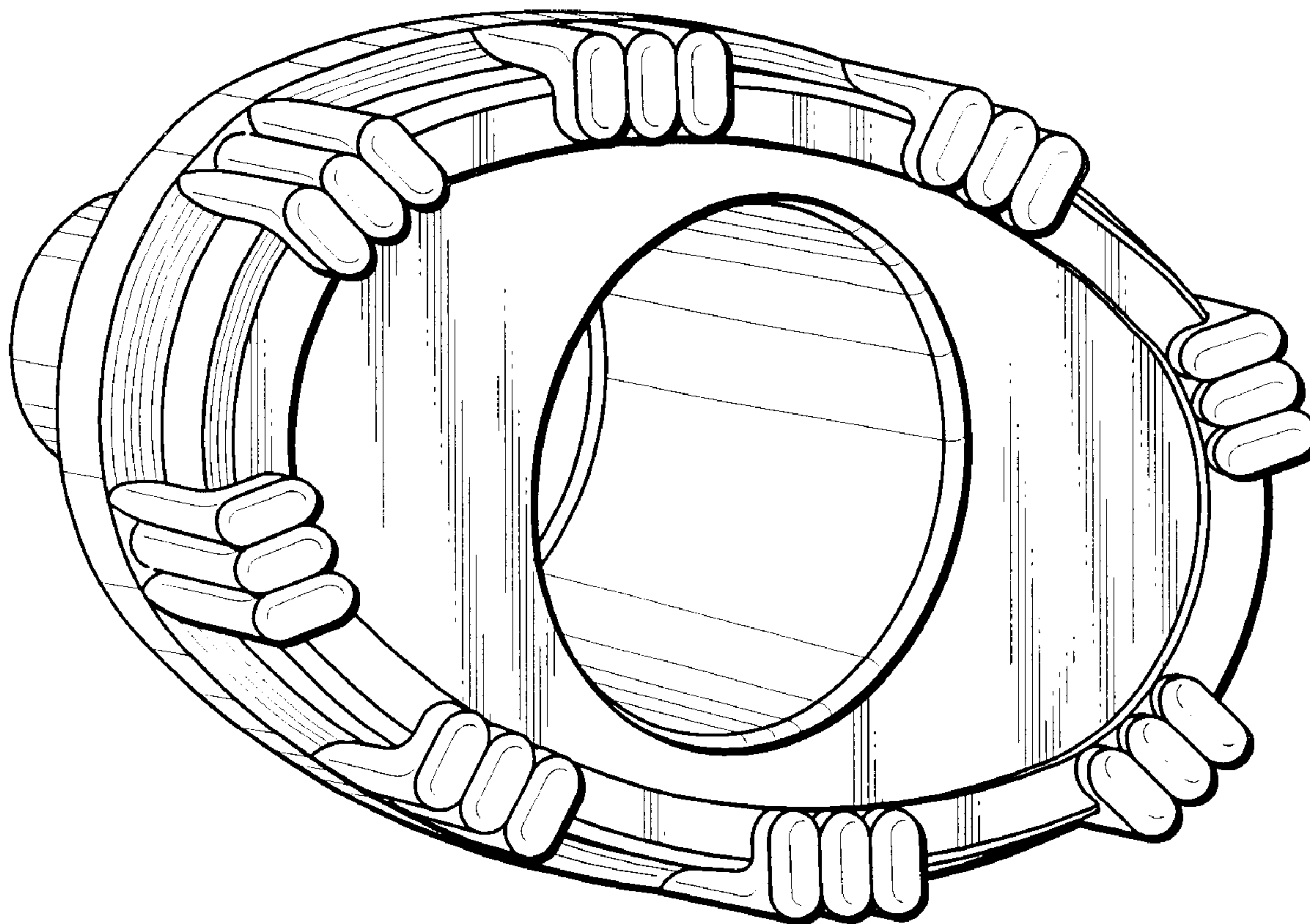
FIG. 4 is a right side view thereof;

FIG. 5 is a bottom view thereof; and,

FIG. 6 is a perspective plan view thereof.

The broken lines shown in FIG. 6 are for illustrative purposes only and form no part of the claimed design.

**1 Claim, 3 Drawing Sheets**



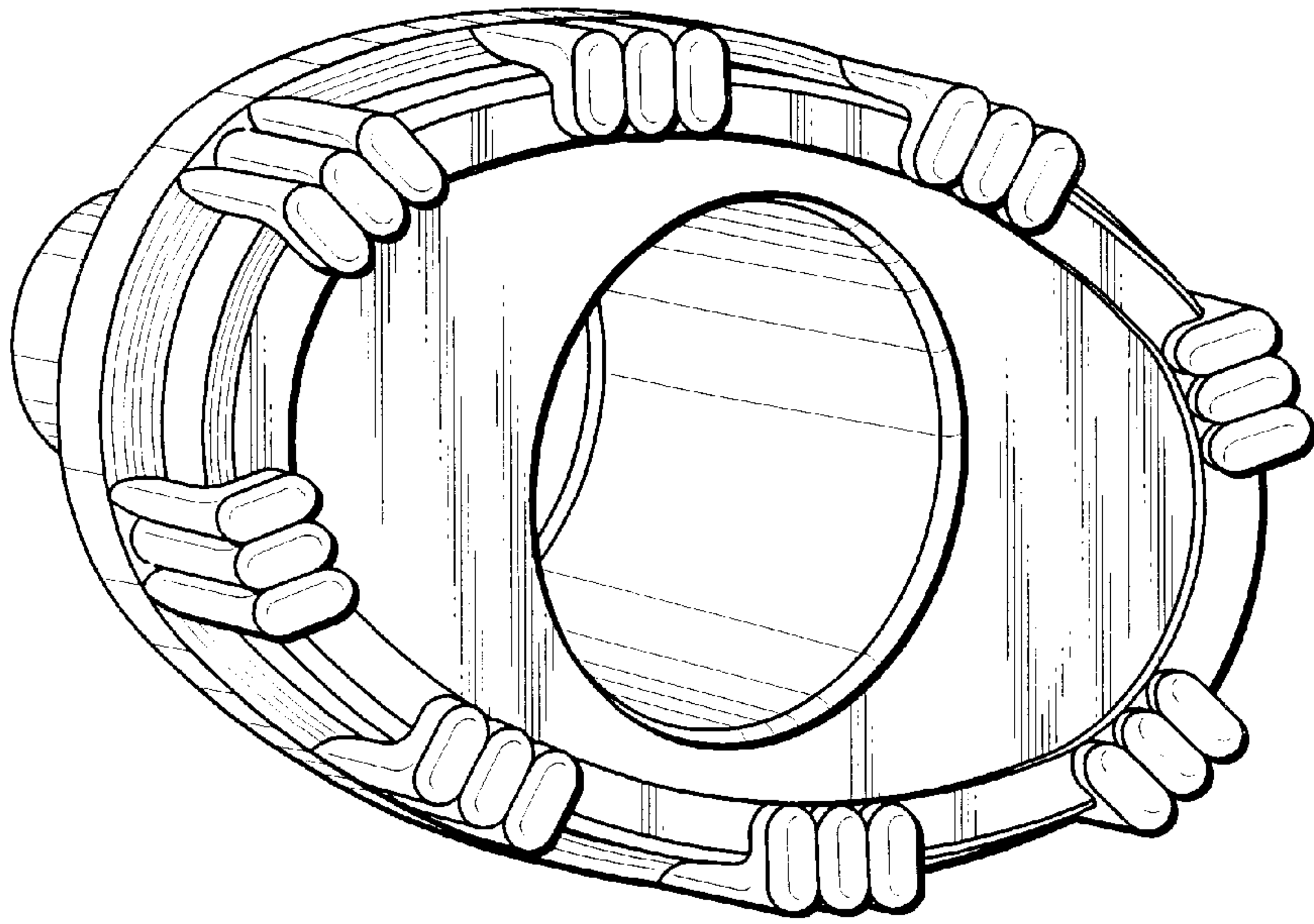


FIG. 1

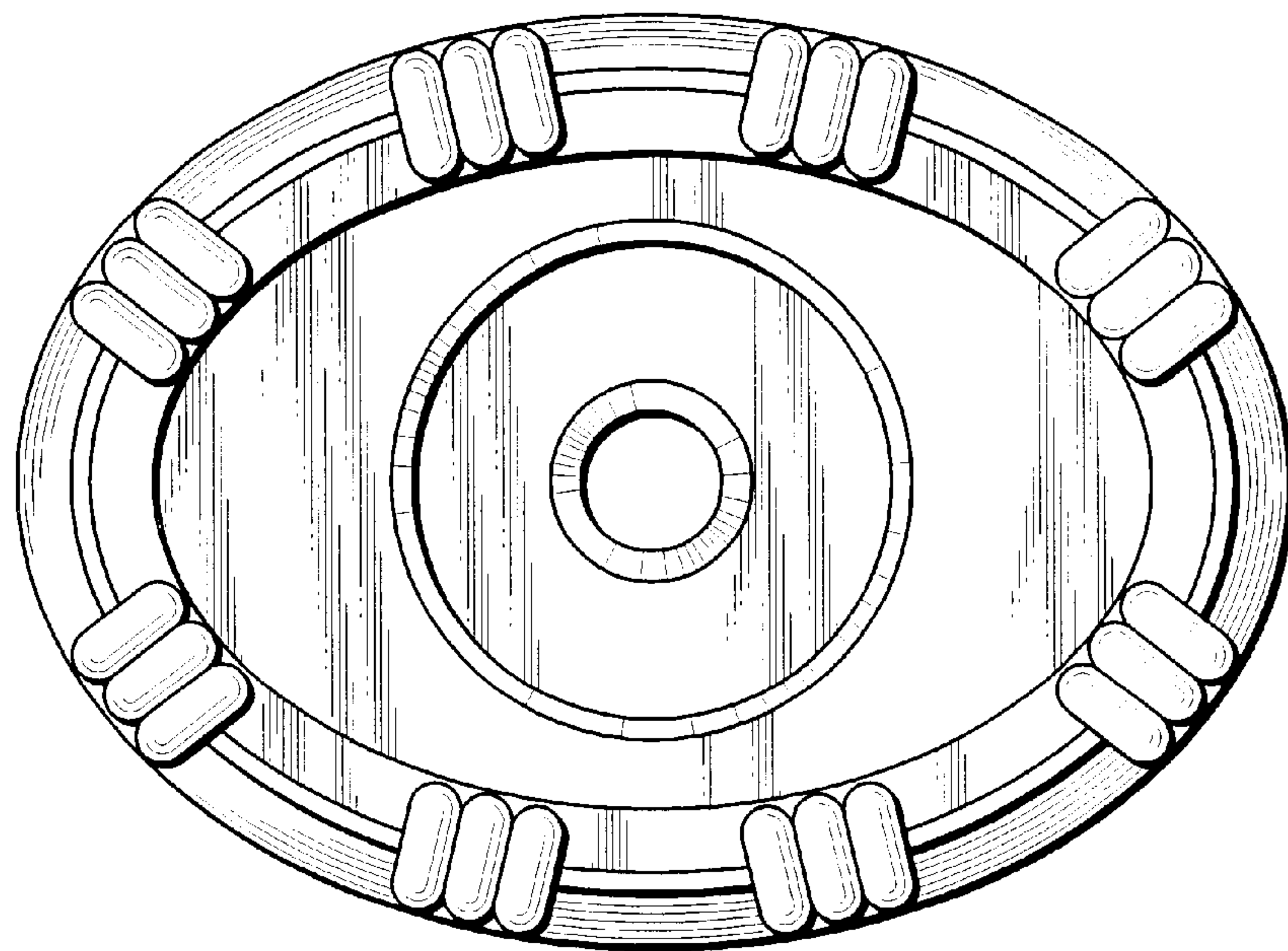
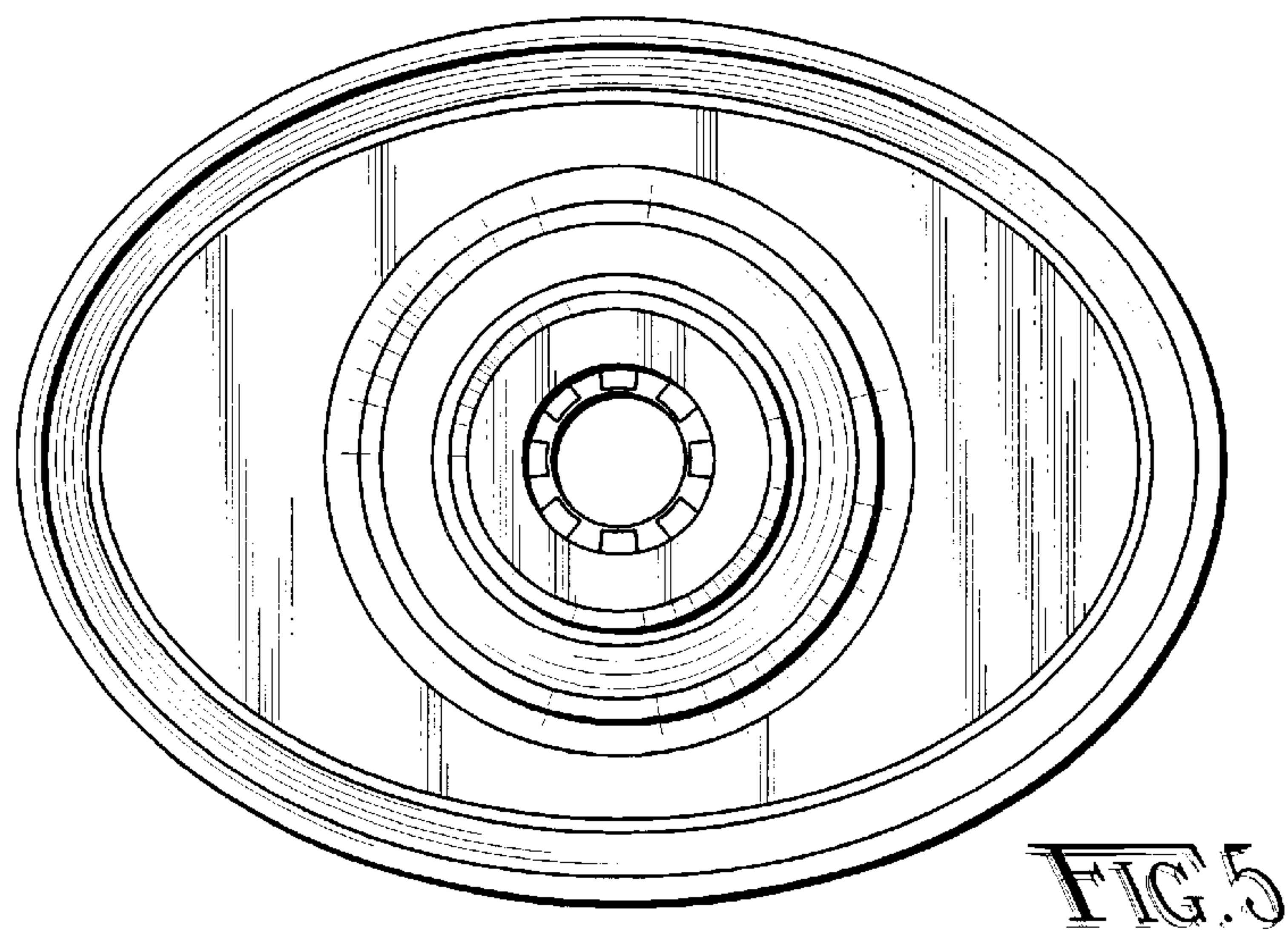
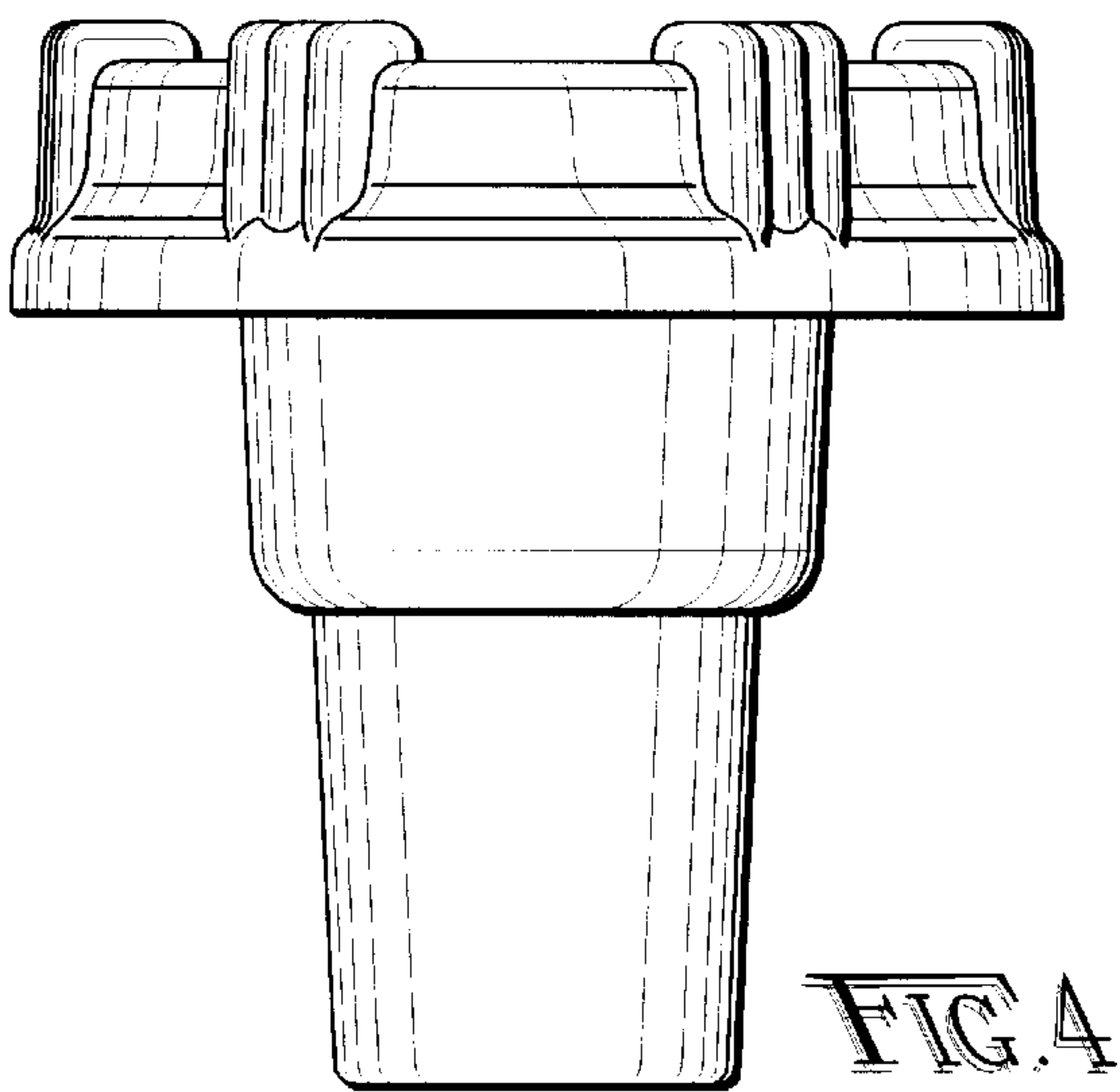
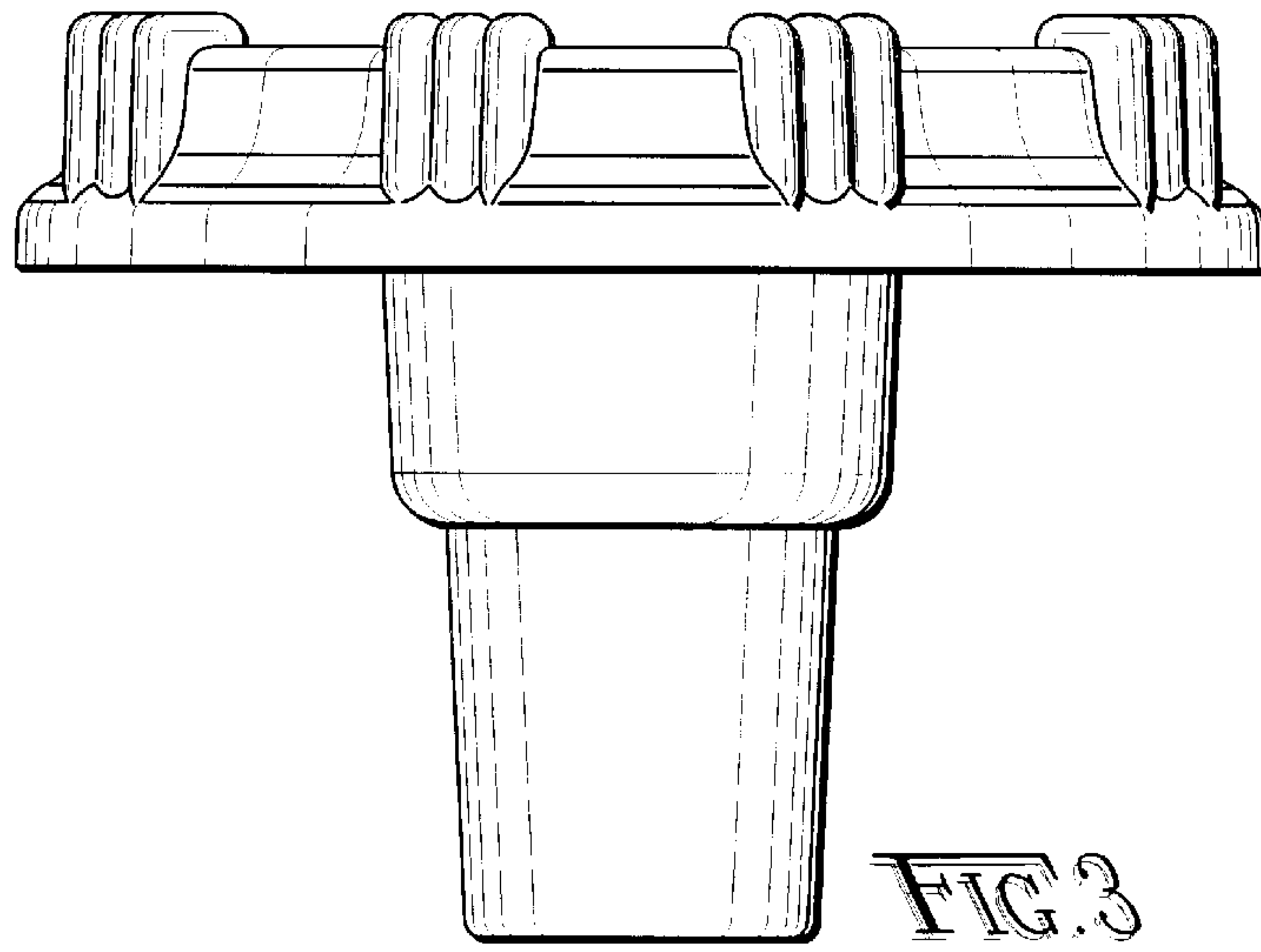


FIG. 2





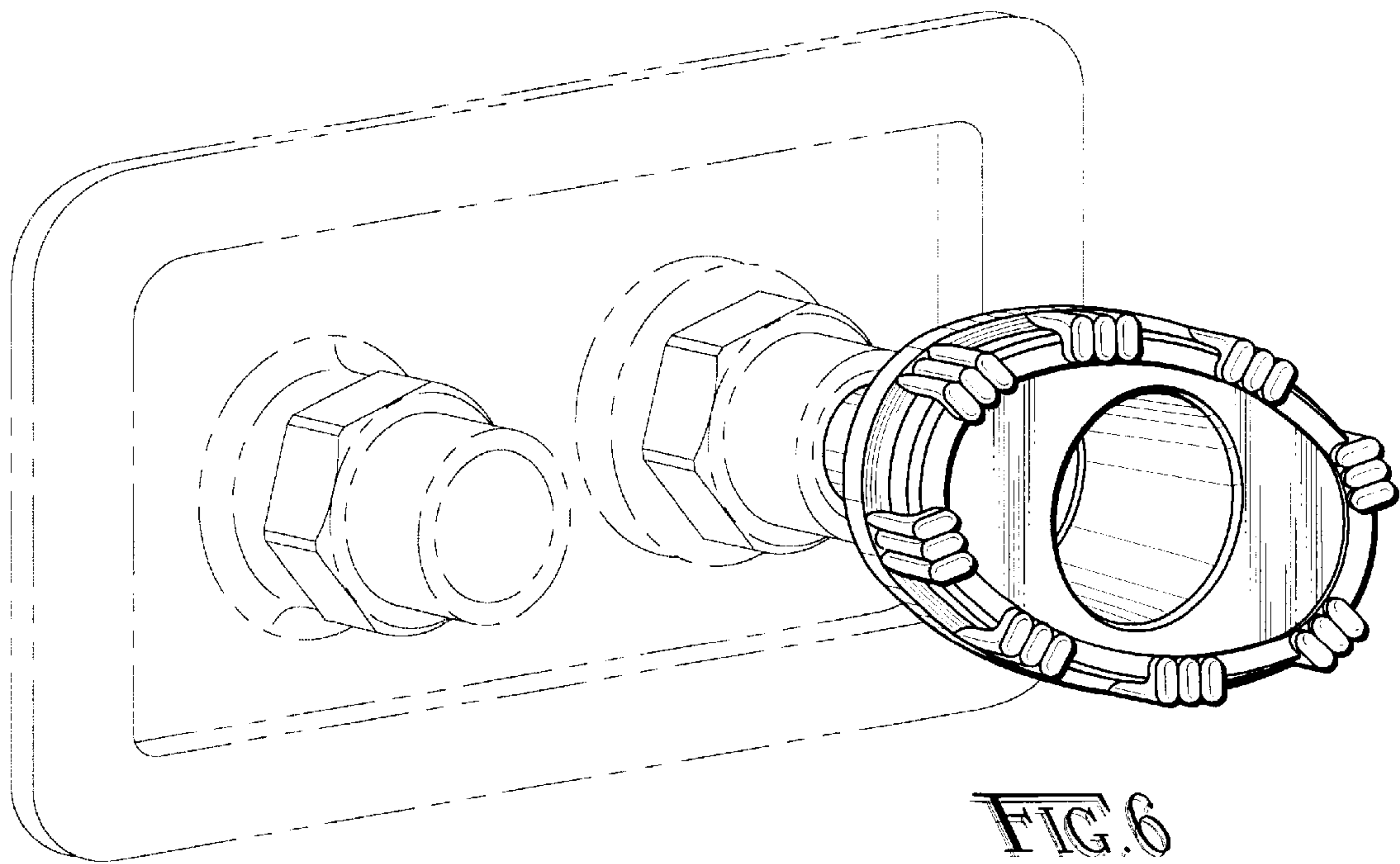


FIG. 6