



US00D521111S

(12) **United States Design Patent**  
**Koury et al.**

(10) **Patent No.:** **US D521,111 S**

(45) **Date of Patent:** **\*\* May 16, 2006**

(54) **FAUCET ASSEMBLY**

(75) Inventors: **Steffen Koury**, Charlestown, MA (US);  
**John Schaffeld**, Marshfield, MA (US)

(73) Assignee: **Masco Corporation of Indiana**,  
Indianapolis, IN (US)

(\*\*) Term: **14 Years**

(21) Appl. No.: **29/218,259**

(22) Filed: **Nov. 30, 2004**

(51) **LOC (8) Cl.** ..... **23-01**

(52) **U.S. Cl.** ..... **D23/241; D23/242**

(58) **Field of Classification Search** ..... **D23/238-257;**  
**4/675-678; 137/801**

See application file for complete search history.

(56) **References Cited**

**U.S. PATENT DOCUMENTS**

D293,362 S	*	12/1987	Hill et al. ....	D23/241
D325,772 S	*	4/1992	Carr .....	D23/252
D357,730 S	*	4/1995	Saperstein .....	D23/252
D377,516 S	*	1/1997	Doughty et al. ....	D23/241
D406,876 S	*	3/1999	Ko .....	D23/241
D461,531 S	*	8/2002	Ouyoung .....	D23/242
D465,559 S	*	11/2002	Chen .....	D23/242

D466,982 S	*	12/2002	Gerlach .....	D23/242
D467,644 S	*	12/2002	Panis et al. ....	D23/242
D469,854 S	*	2/2003	Ouyoung .....	D23/242
D479,871 S	*	9/2003	Warshawsky .....	D23/242
D489,795 S	*	5/2004	Kulig et al. ....	D23/238
D502,534 S	*	3/2005	Panis et al. ....	D23/242

\* cited by examiner

*Primary Examiner*—Louis S. Zarfaz

*Assistant Examiner*—Gregory Andoll

(74) *Attorney, Agent, or Firm*—Kwadjo Adusei-Poku;  
Lloyd D. Doigan

(57) **CLAIM**

The ornamental design for a faucet assembly, as shown and described.

**DESCRIPTION**

FIG. 1 is a front perspective view of a faucet assembly showing our new design;

FIG. 2 is a front elevational view thereof;

FIG. 3 is a rear elevational view thereof;

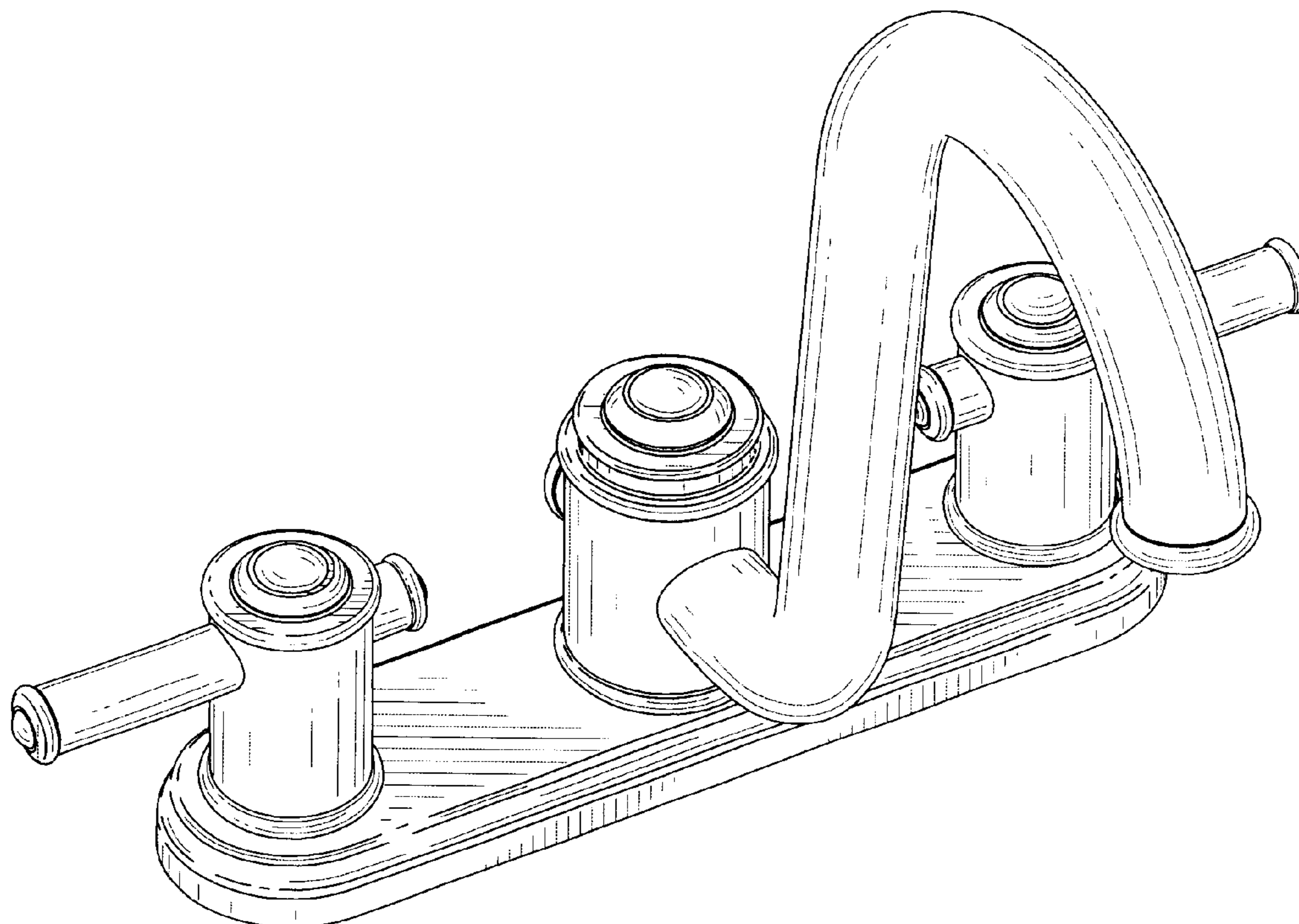
FIG. 4 is a right side elevational view thereof;

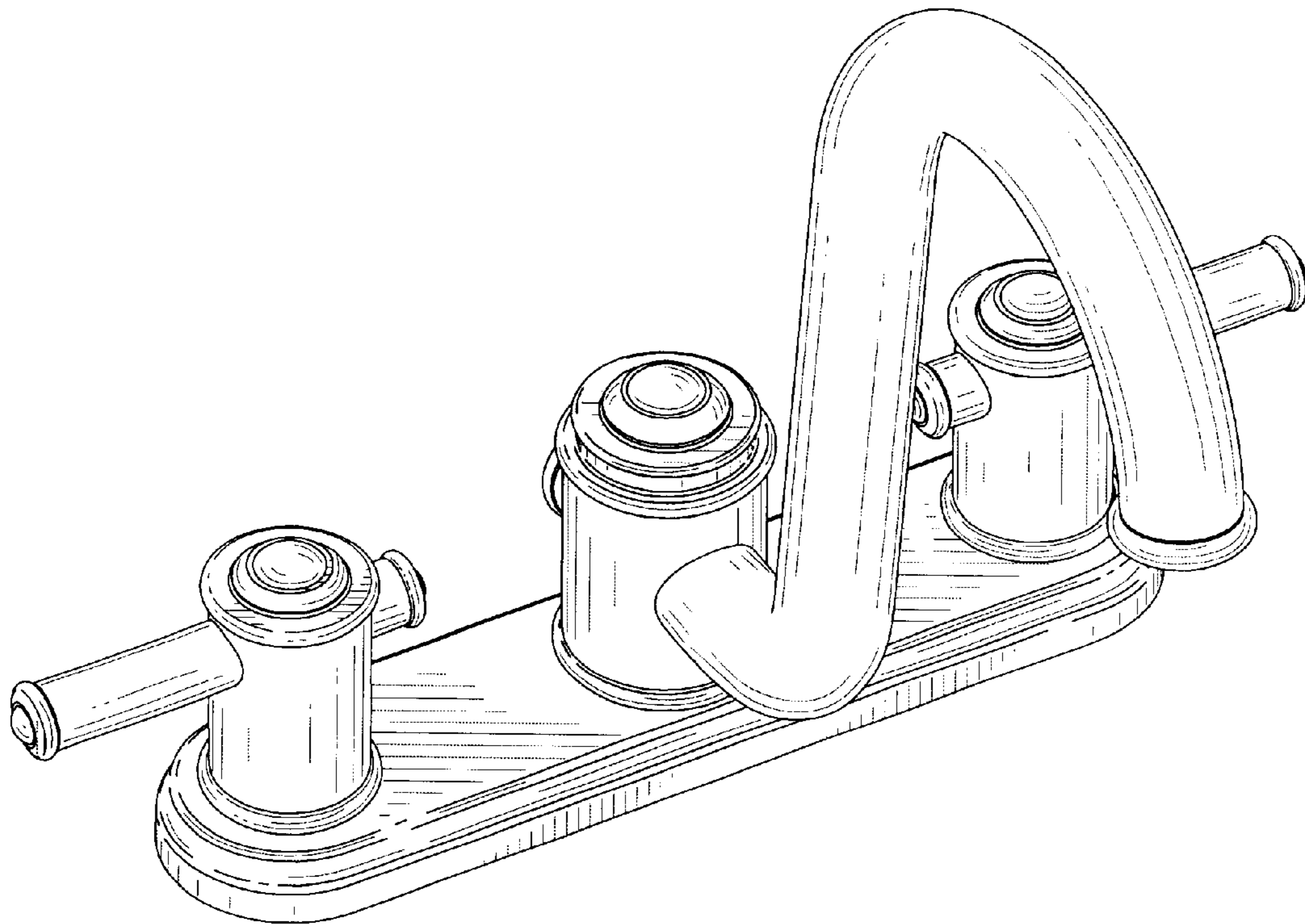
FIG. 5 is a left side elevational view thereof;

FIG. 6 is a top plan view thereof; and,

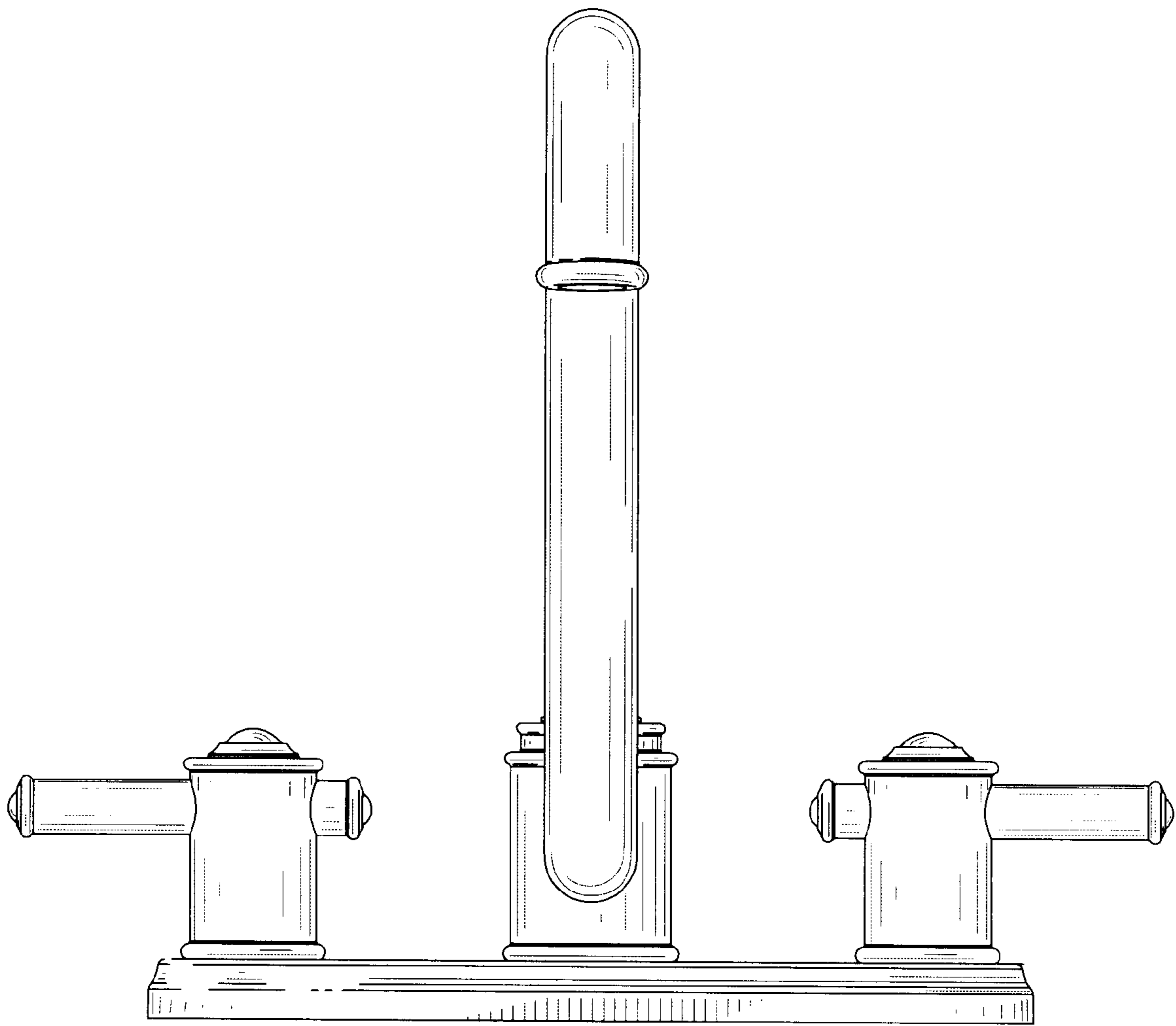
FIG. 7 is a rear perspective view thereof.

**1 Claim, 7 Drawing Sheets**

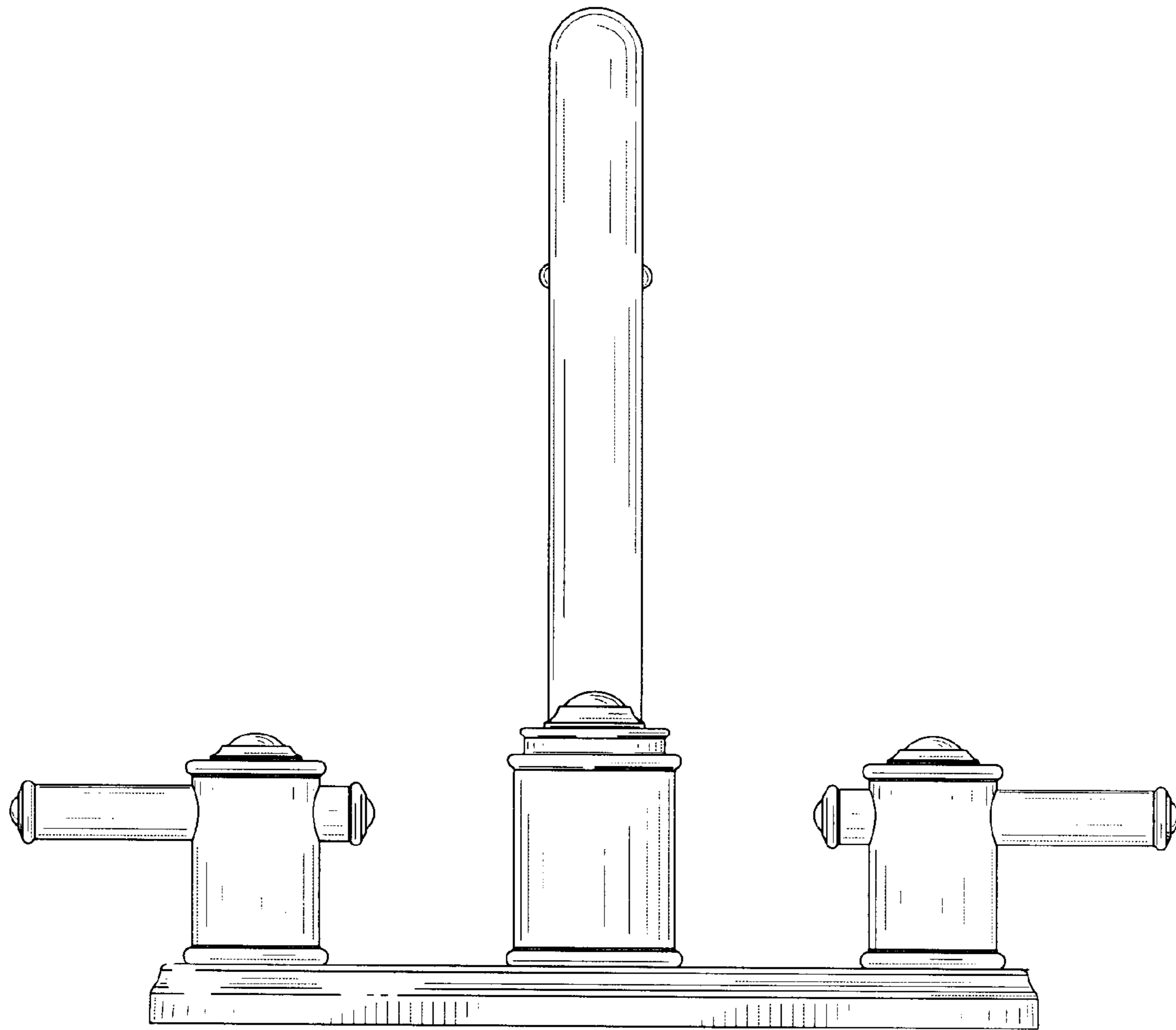




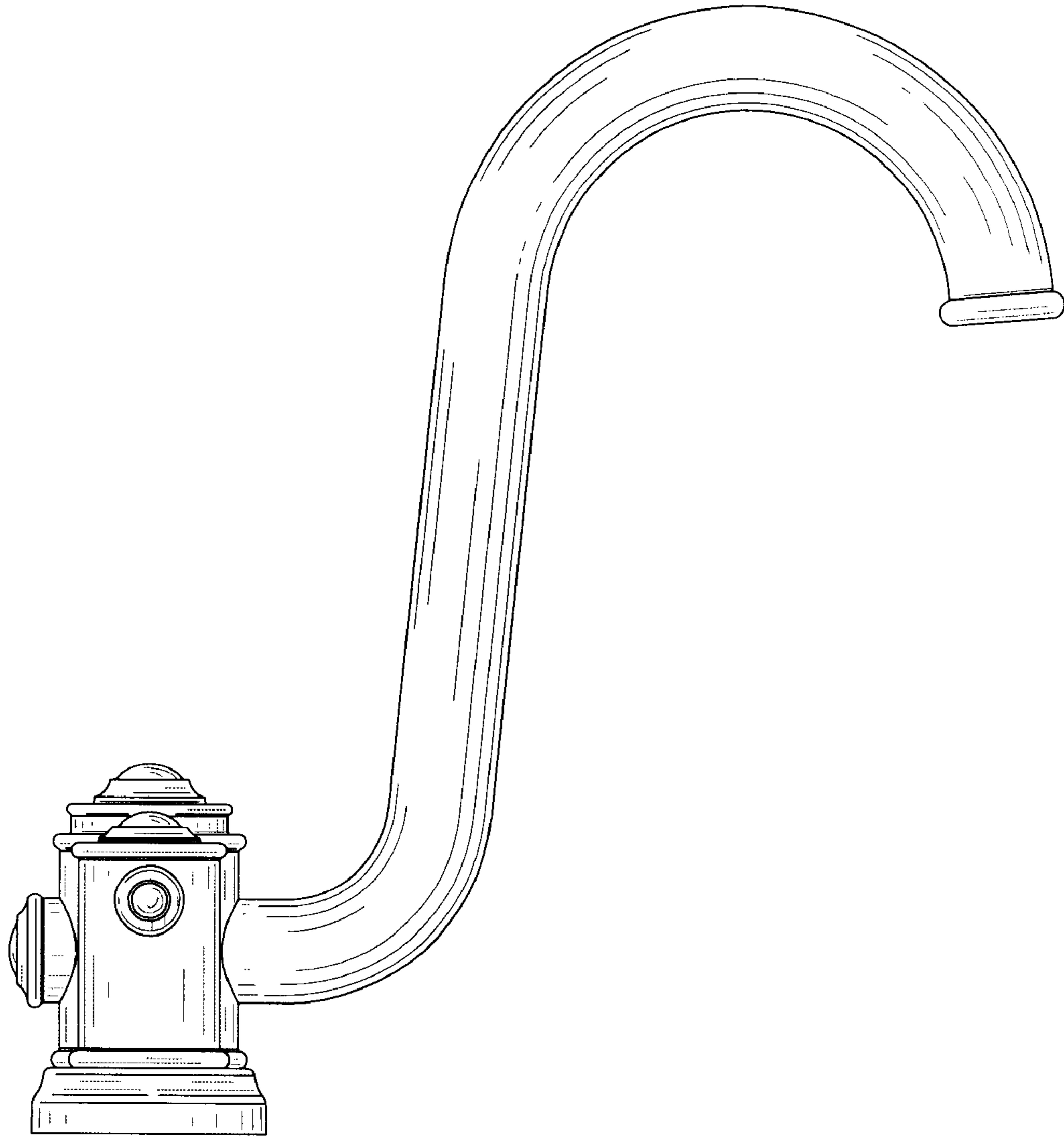
**FIG. 1**



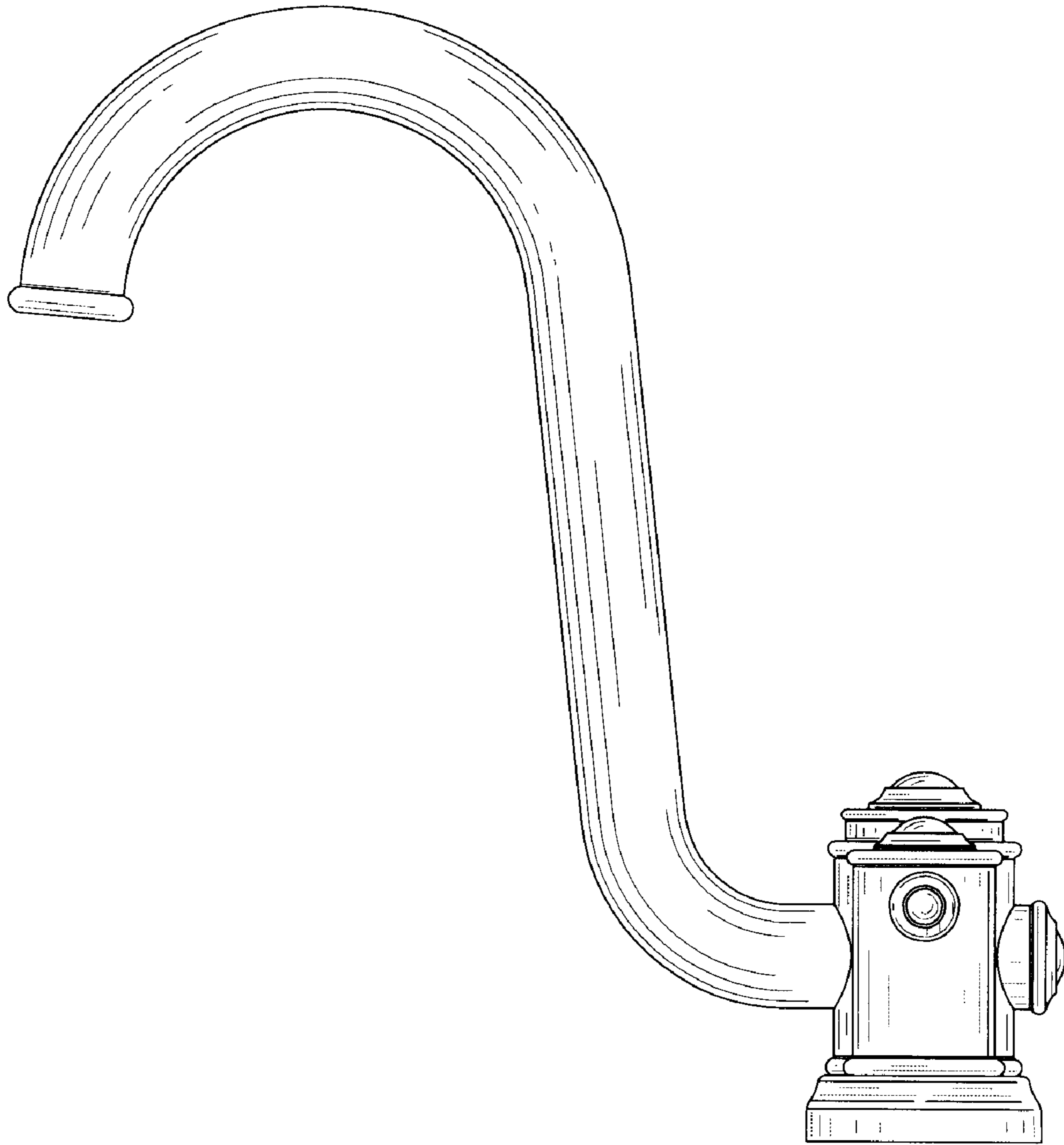
**FIG. 2**



**FIG. 3**

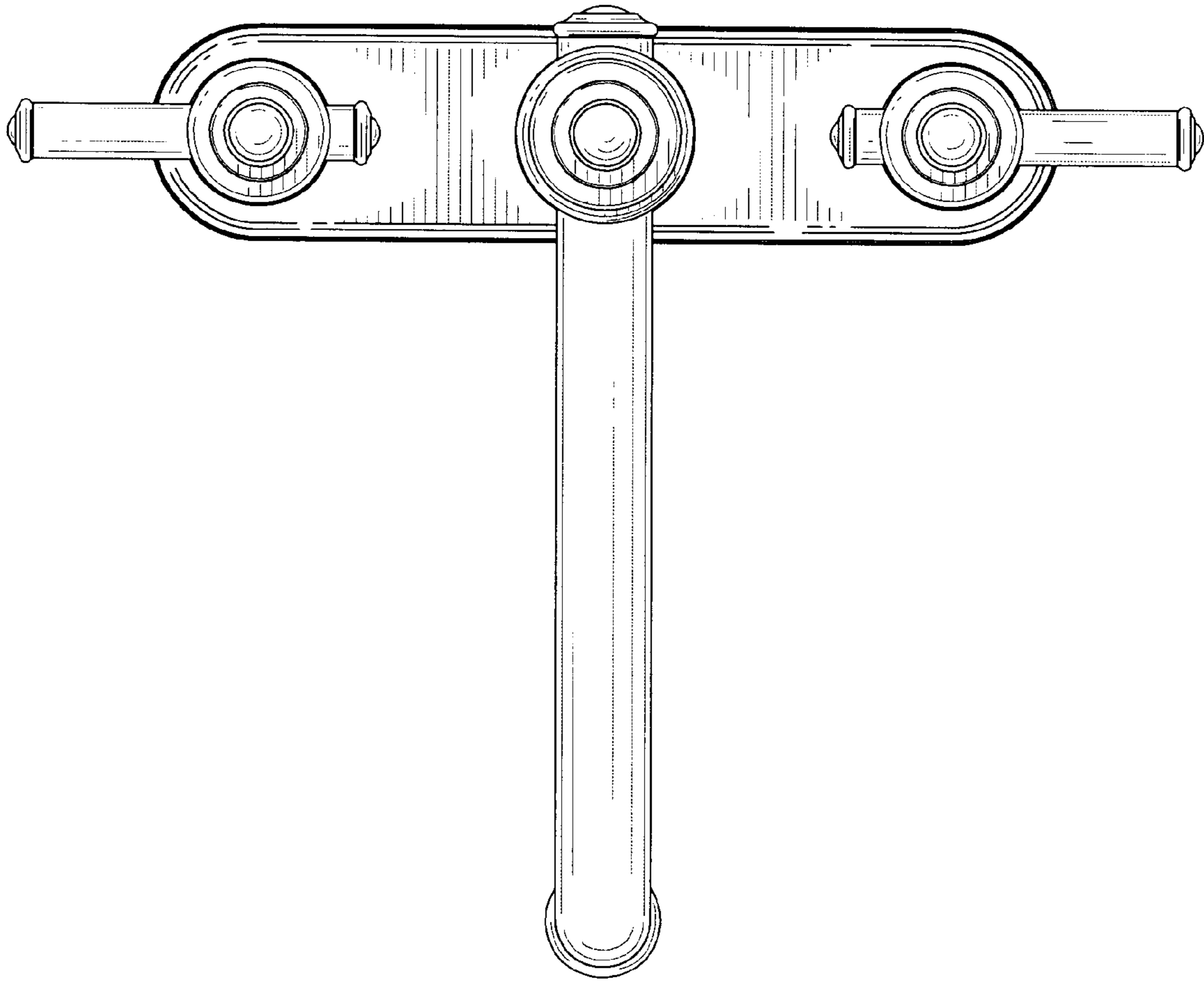


**FIG. 4**

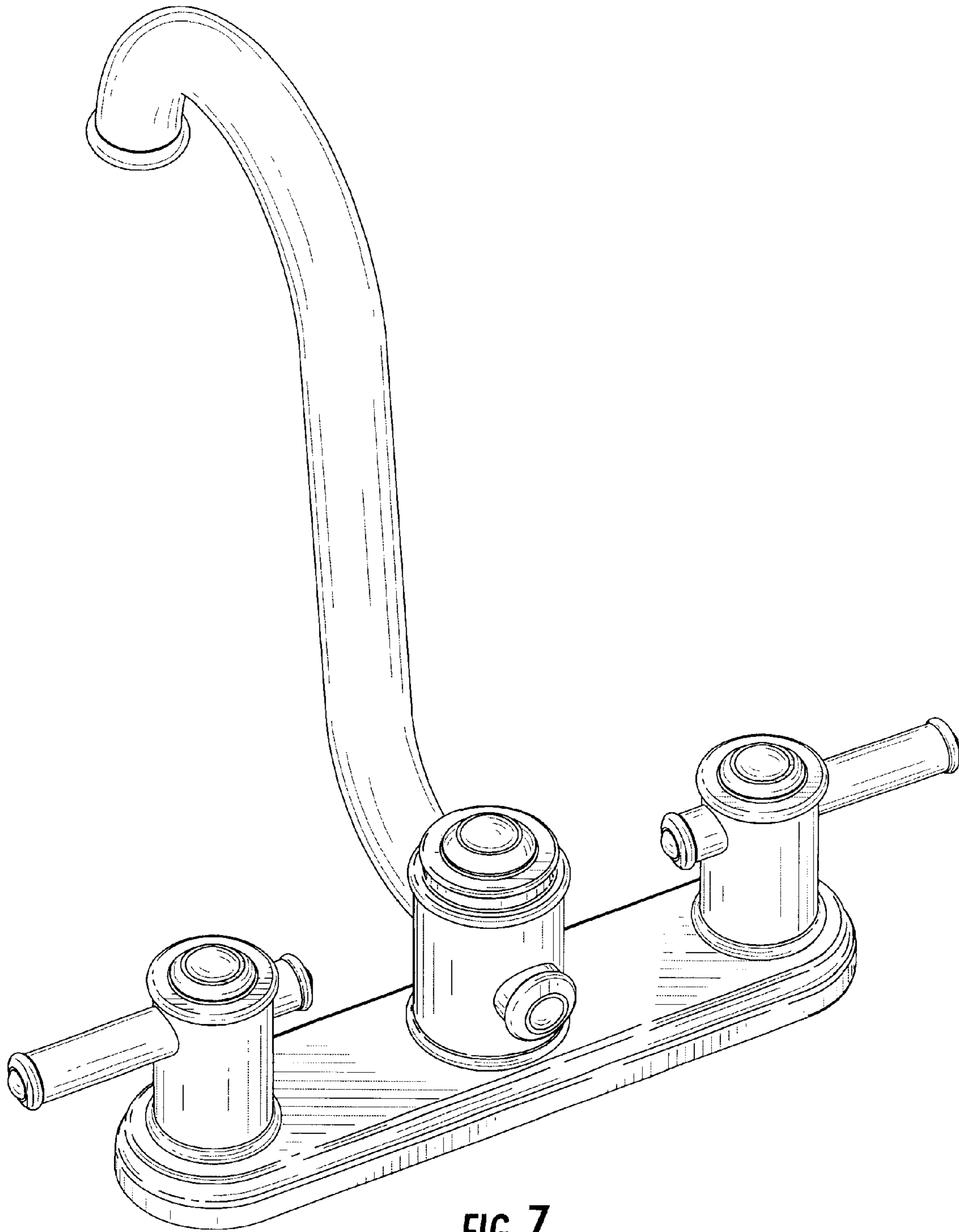


**FIG. 5**





**FIG. 6**



**FIG. 7**