

US00D521105S

(12) **United States Design Patent**  
**Lepage**

(10) **Patent No.:** **US D521,105 S**

(45) **Date of Patent:** **\*\* May 16, 2006**

(54) **FLY FISHING REEL**

(75) Inventor: **James B. Lepage**, Manchester Center, VT (US)

(73) Assignee: **The Orvis Company, Inc.**, Manchester, VT (US)

(\*\*) Term: **14 Years**

(21) Appl. No.: **29/227,264**

(22) Filed: **Apr. 8, 2005**

(51) **LOC (8) Cl.** ..... **22-05**

(52) **U.S. Cl.** ..... **D22/140**

(58) **Field of Classification Search** ..... D22/140,  
D22/141, 137; 242/295, 317-322, 611.2,  
242/613.4, 303

See application file for complete search history.

(56) **References Cited**

**U.S. PATENT DOCUMENTS**

4,883,238	A	11/1989	Harder	.....	242/317
D353,643	S	* 12/1994	Shiple	.....	D22/140
D360,928	S	* 8/1995	Bogner	.....	D22/140
D371,823	S	* 7/1996	Charlton	.....	D22/140
6,155,508	A	12/2000	Lepage	.....	242/303
D443,017	S	5/2001	Alden	.....	D22/140
6,513,743	B1	2/2003	Perkins, Jr. et al.	.....	242/295
2002/0104912	A1	* 8/2002	Bascue	.....	242/317

**OTHER PUBLICATIONS**

U.S. Appl. No. 29/220,169, filed Dec. 27, 2004, Lepage.  
ORVIS Fly Fishing Catalog, 2004 vol. 4, illustrating reels,  
pp. 26-34.

CABELA'S Fly Fishing 2004 Catalog, illustrating reels, pp.  
34-45.

\* cited by examiner

*Primary Examiner*—Catherine R. Oliver

(74) *Attorney, Agent, or Firm*—Fay, Sharpe, Fagan,  
Minnich & McKee, LLP

(57) **CLAIM**

The ornamental design for a fly fishing reel, as shown and  
described.

**DESCRIPTION**

FIG. 1 is a bottom view of a fly fishing reel showing the new  
design;

FIG. 2 is a front view of the reel shown in FIG. 1;

FIG. 3 is a rear view of the reel shown in FIGS. 1 and 2;

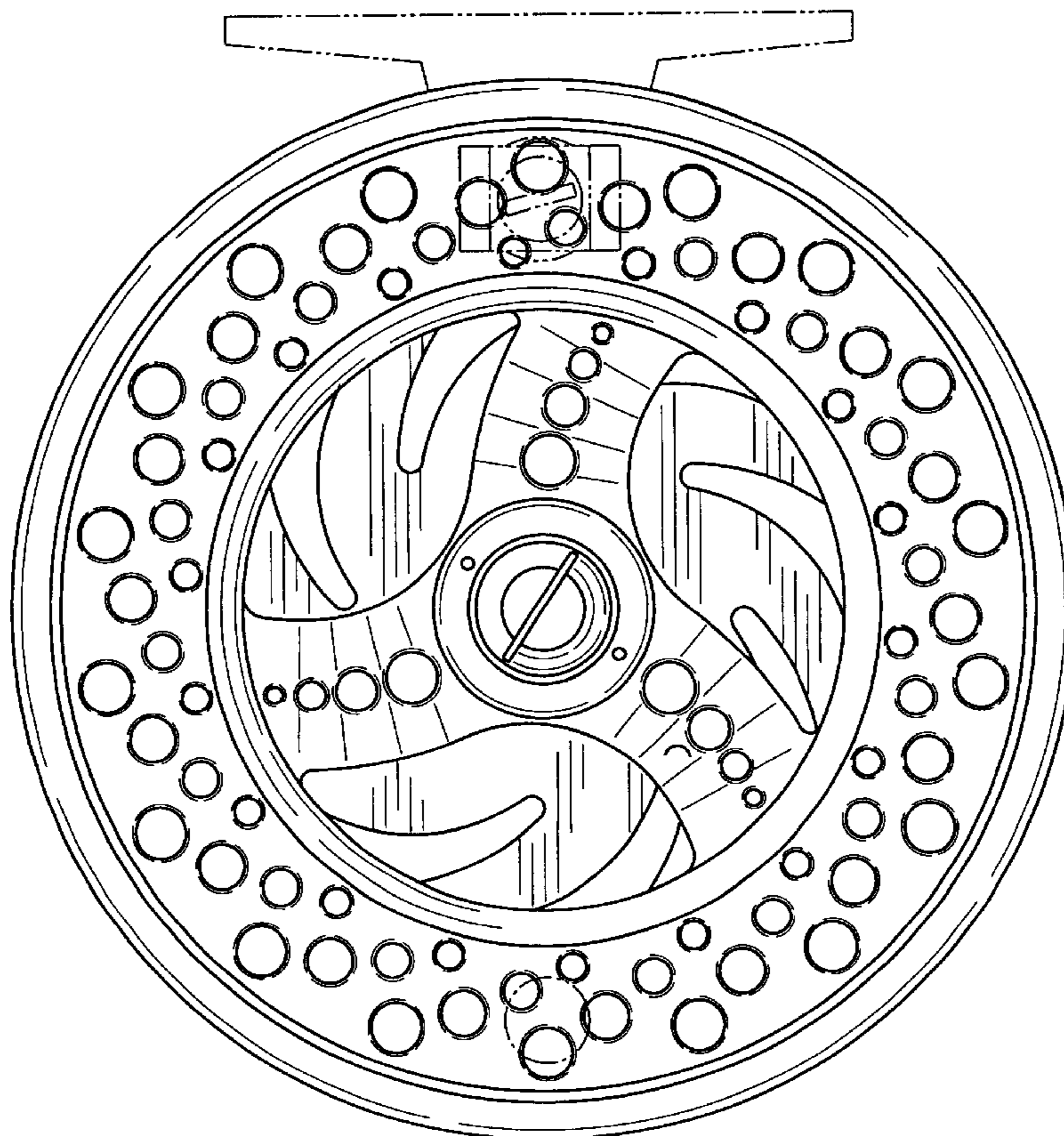
FIG. 4 is a top view of the reel shown in FIGS. 1-3;

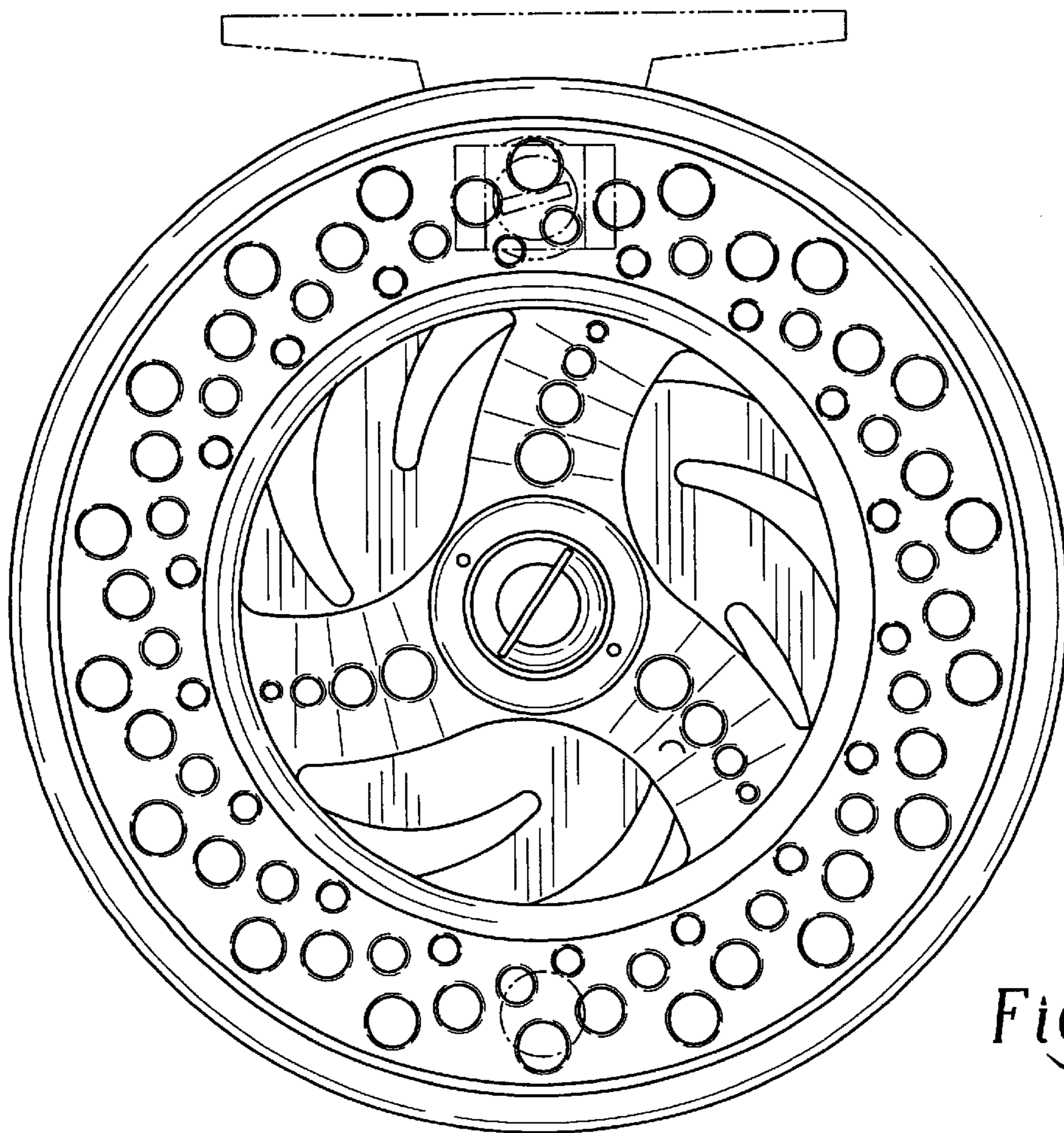
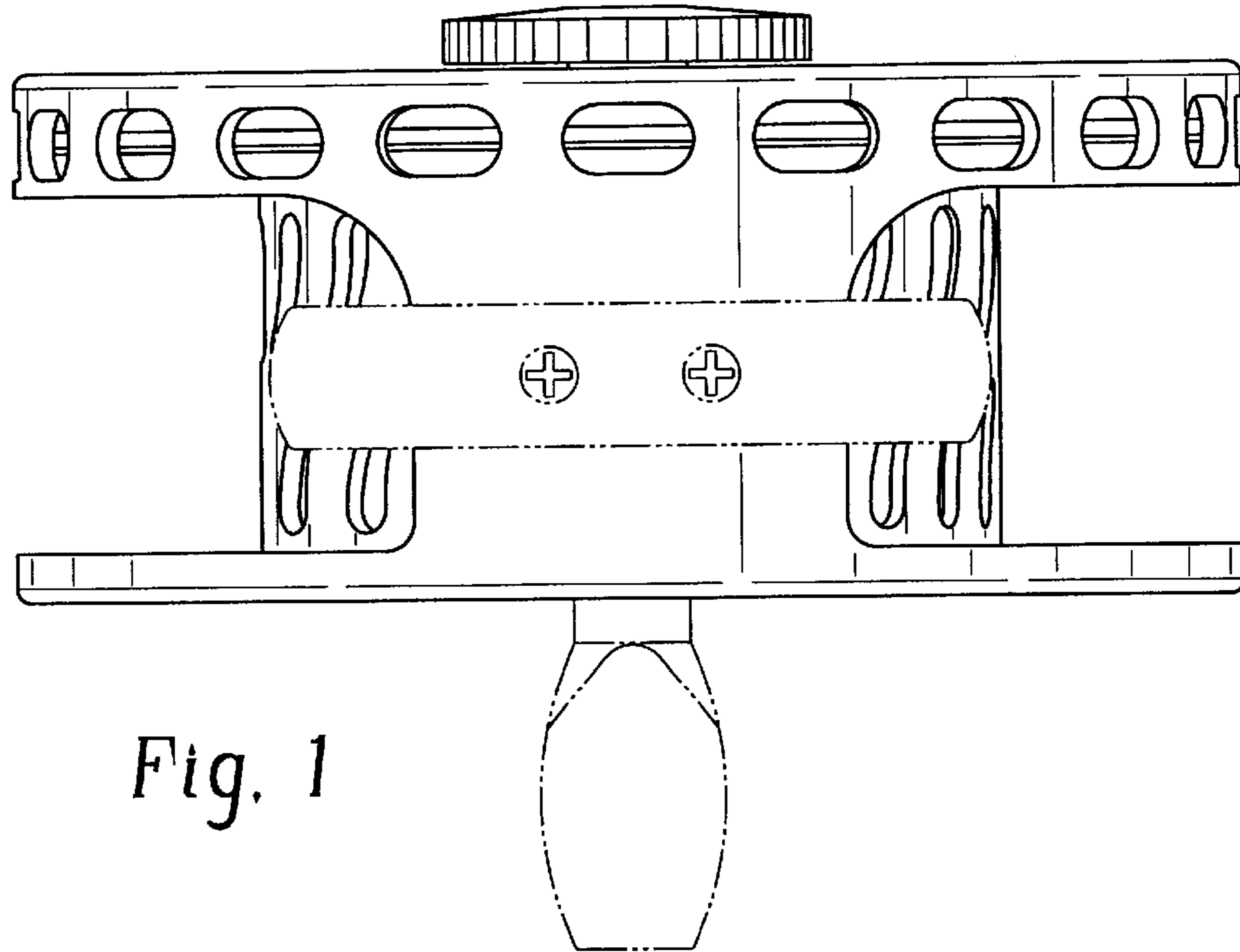
FIG. 5 is a first side view of the reel shown in FIGS. 1-4;  
and,

FIG. 6 is a second side view of the reel shown in FIGS. 1-5.

The broken line showing of environment in the drawings is  
for illustrative purposes only and forms no part of the  
claimed design.

**1 Claim, 3 Drawing Sheets**





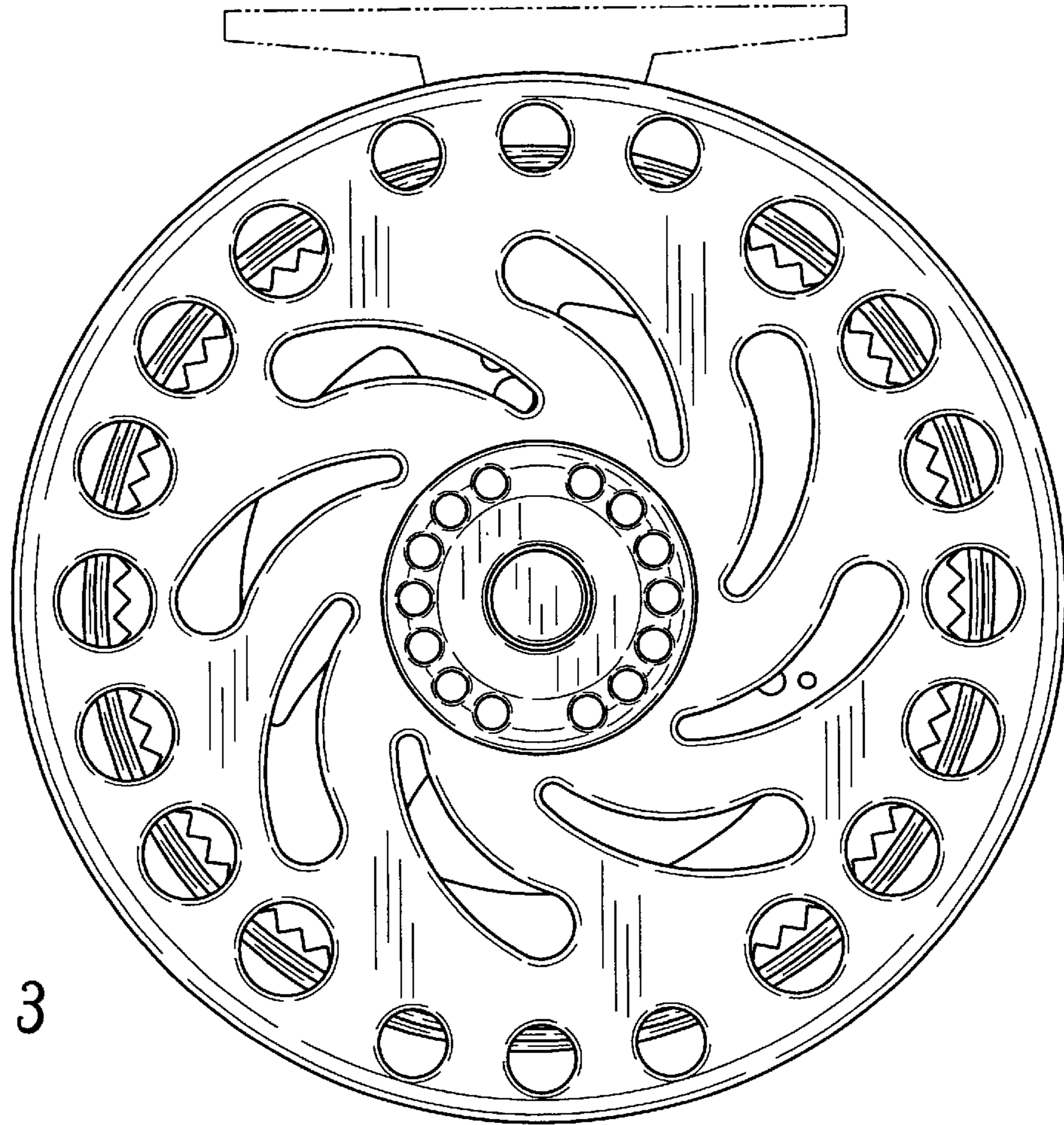


Fig. 3

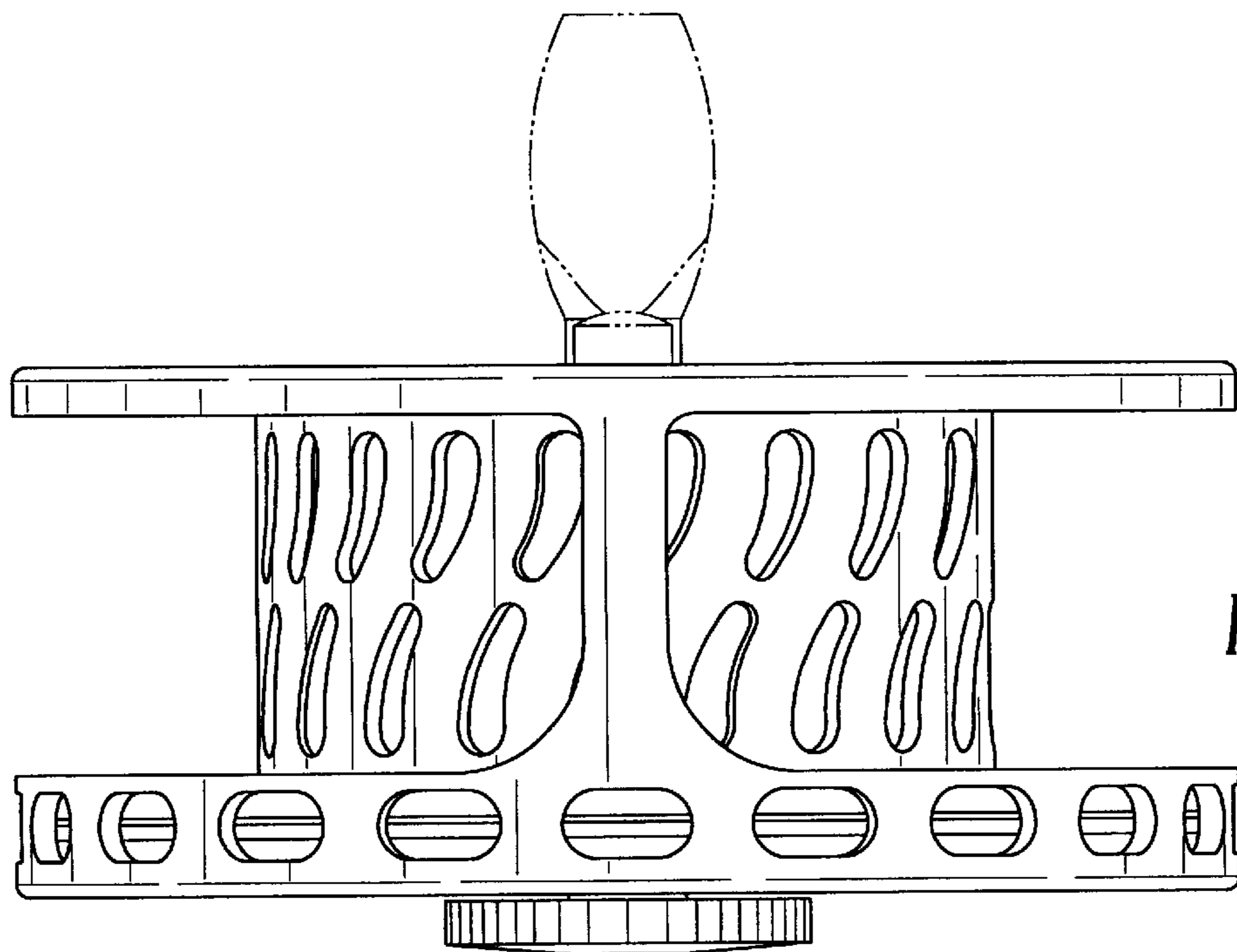


Fig. 4

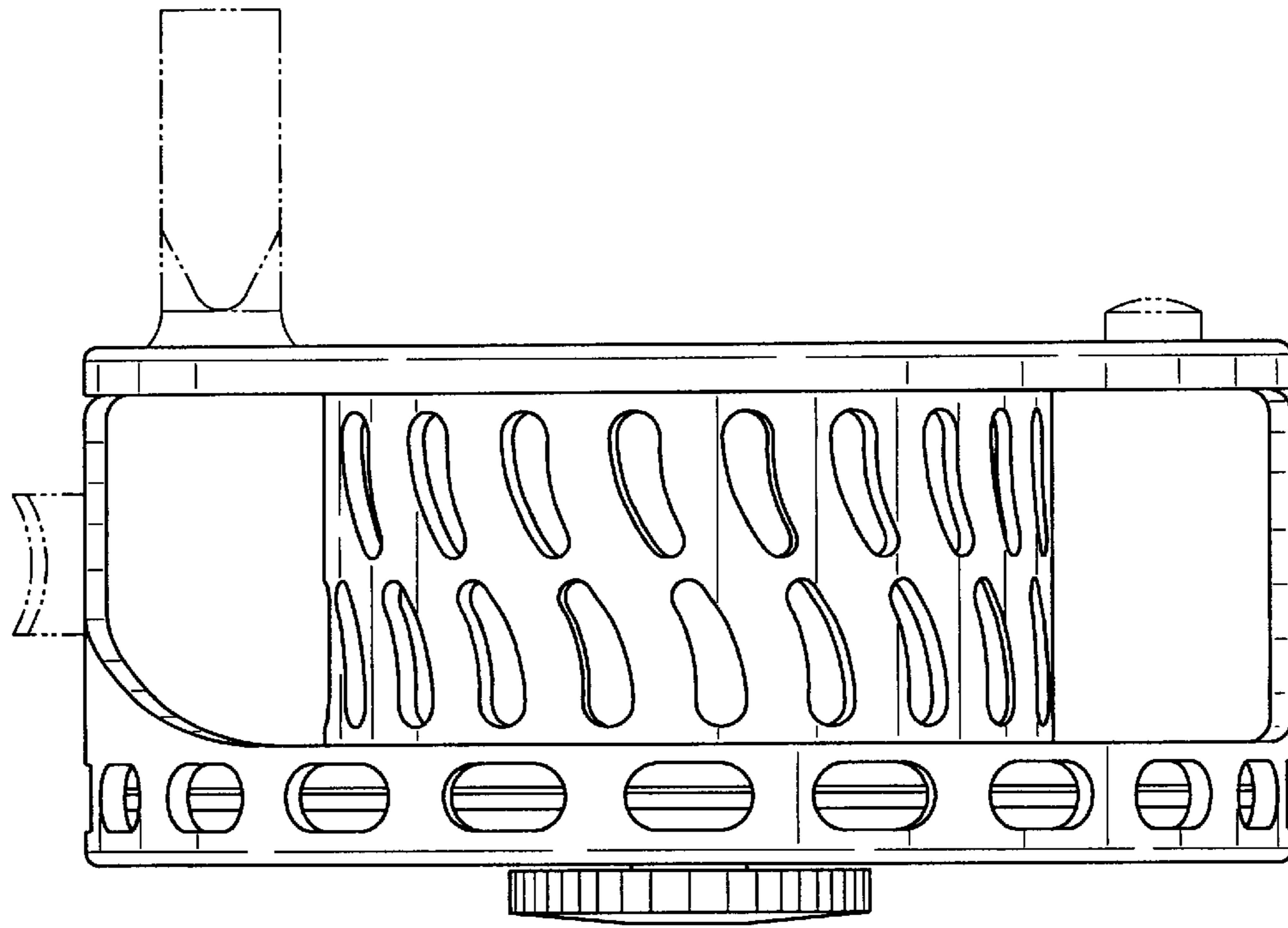


Fig. 6

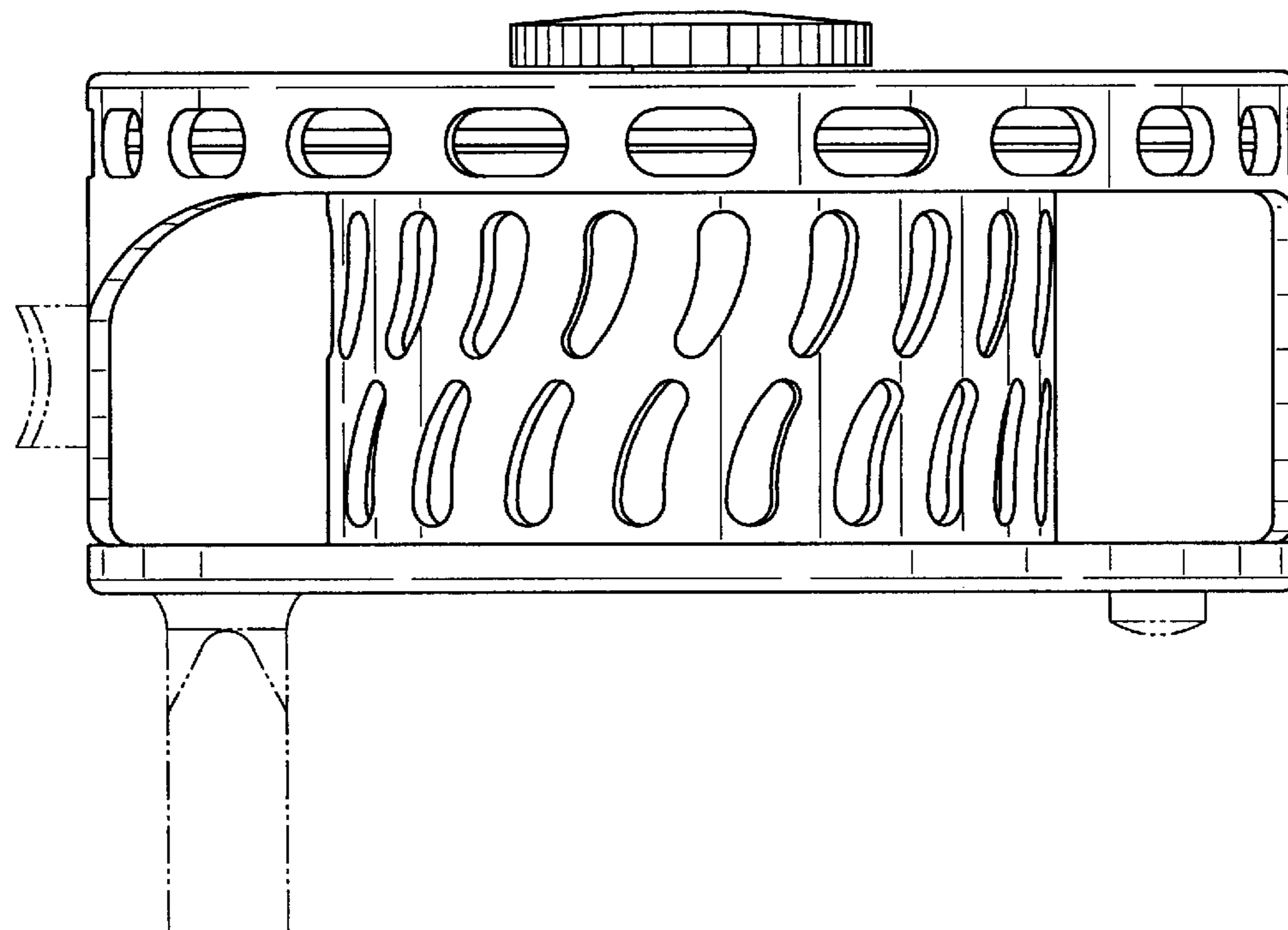


Fig. 5