



US00D521104S

(12) **United States Design Patent**
Wong

(10) **Patent No.:** **US D521,104 S**

(45) **Date of Patent:** **** May 16, 2006**

(54) **FISHING REEL**

(75) Inventor: **Kwok Yin Wong**, Hong Kong (HK)

(73) Assignee: **Shakespeare Company, LLC**,
Columbia, SC (US)

(**) Term: **14 Years**

(21) Appl. No.: **29/226,086**

(22) Filed: **Mar. 23, 2005**

(51) **LOC (8) Cl.** **22-05**

(52) **U.S. Cl.** **D22/140**

(58) **Field of Classification Search** D22/140,
D22/141, 137-139; 242/234-240, 310-319;
43/20, 22

See application file for complete search history.

(56) **References Cited**

U.S. PATENT DOCUMENTS

D156,337 S	12/1949	Hammer	D22/140
3,259,333 A	7/1966	Hull	242/239
3,836,092 A	9/1974	Hull	242/84.2
D290,987 S	7/1987	Robbins et al.	D22/141
D314,603 S	2/1991	Jackson et al.	D22/141
D404,109 S	1/1999	Zwayer et al.	D22/141
5,988,548 A	11/1999	Chapman et al.	242/310
6,138,935 A	10/2000	Zwayer et al.	242/311
D443,333 S	6/2001	Gibson	D22/140

D459,430 S	*	6/2002	Burke	D22/140
D460,994 S	*	7/2002	Burke	D22/140
D482,753 S	*	11/2003	Burke	D22/140
D491,998 S	*	6/2004	Burke	D22/140

OTHER PUBLICATIONS

Rods and Reels South Bend—Spincast Reels, pp. 8 and 9, 1997.

* cited by examiner

Primary Examiner—Catherine R. Oliver

(74) *Attorney, Agent, or Firm*—Nelson Mullins Riley & Scarborough, LLP

(57) **CLAIM**

The ornamental design for a fishing reel, as shown and described.

DESCRIPTION

FIG. 1 is a perspective view of a fishing reel showing my new design;

FIG. 2 is a left side elevational view thereof;

FIG. 3 is a right side elevational view thereof;

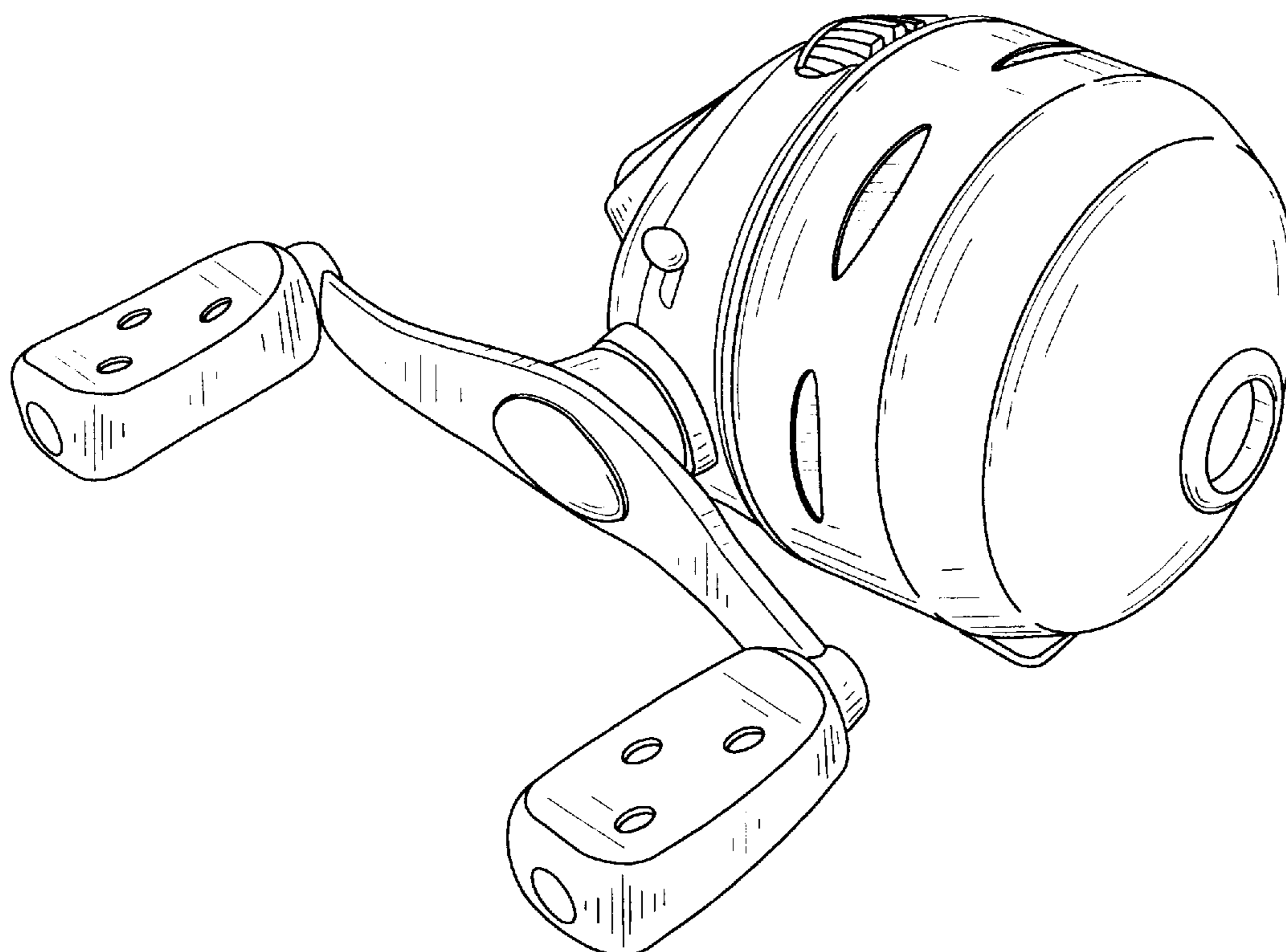
FIG. 4 is a front elevational view thereof;

FIG. 5 is a rear elevational view thereof;

FIG. 6 is a top plan view thereof; and,

FIG. 7 is a bottom plan view.

1 Claim, 7 Drawing Sheets



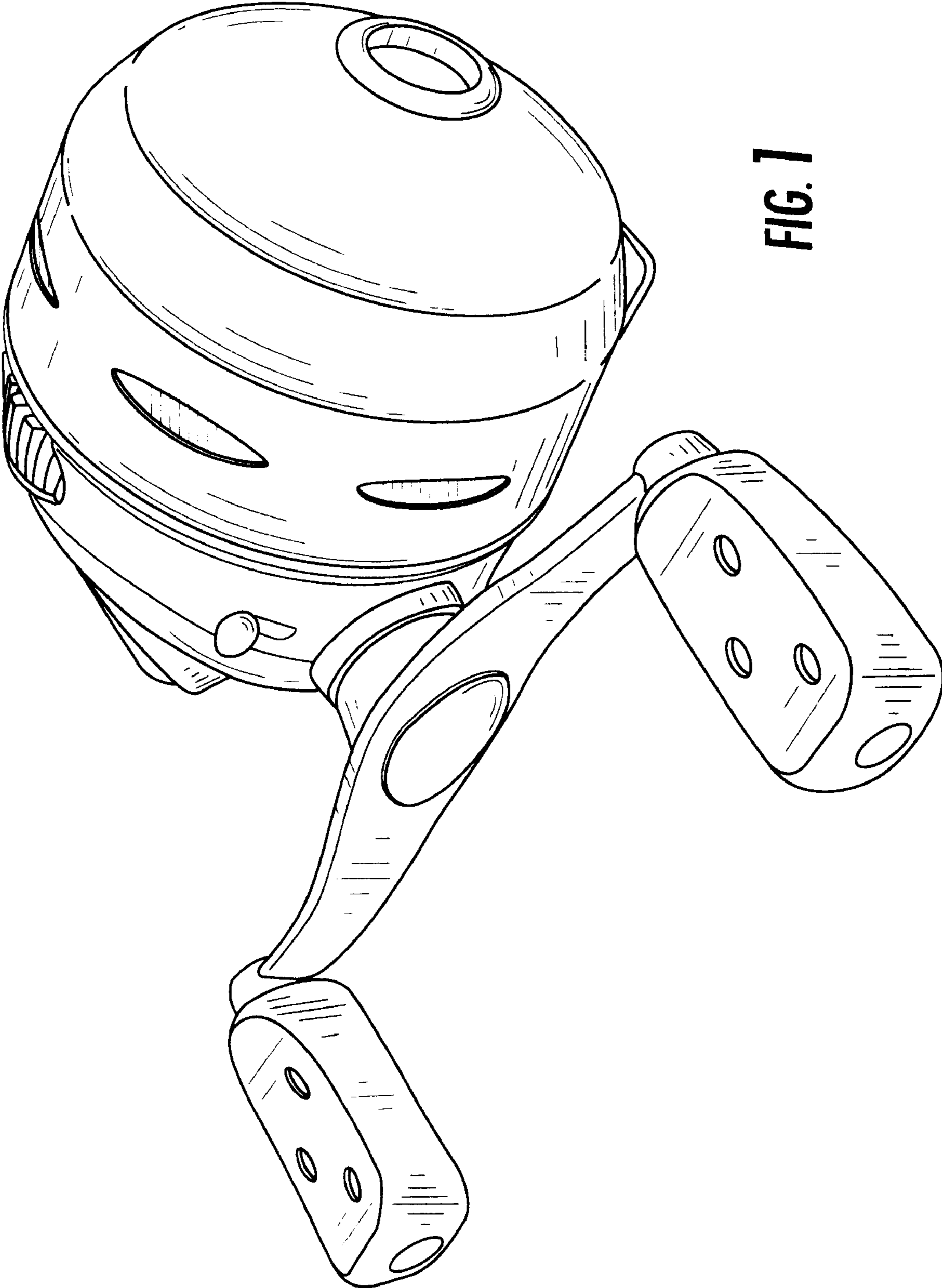


FIG. 1

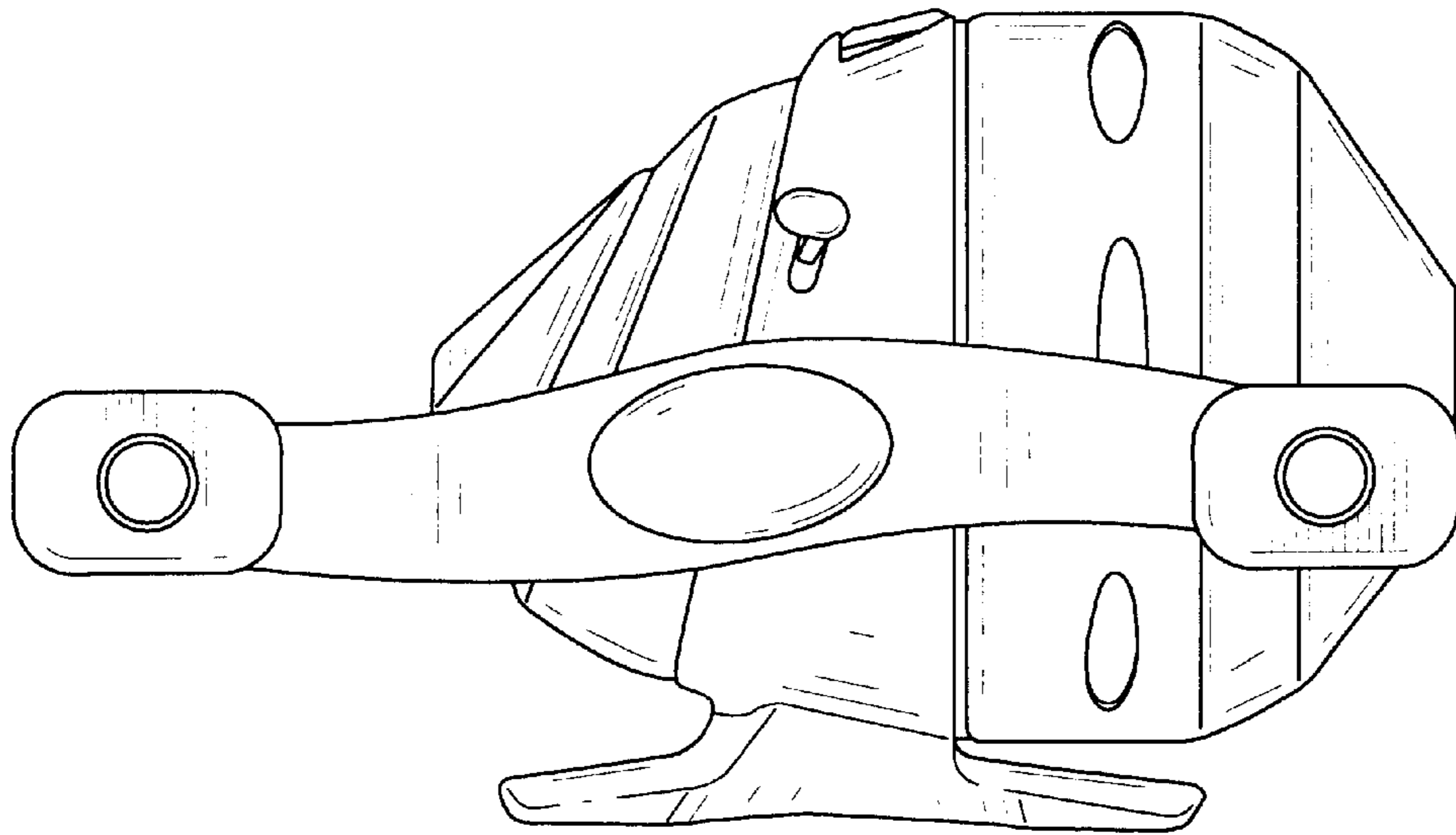


FIG. 2

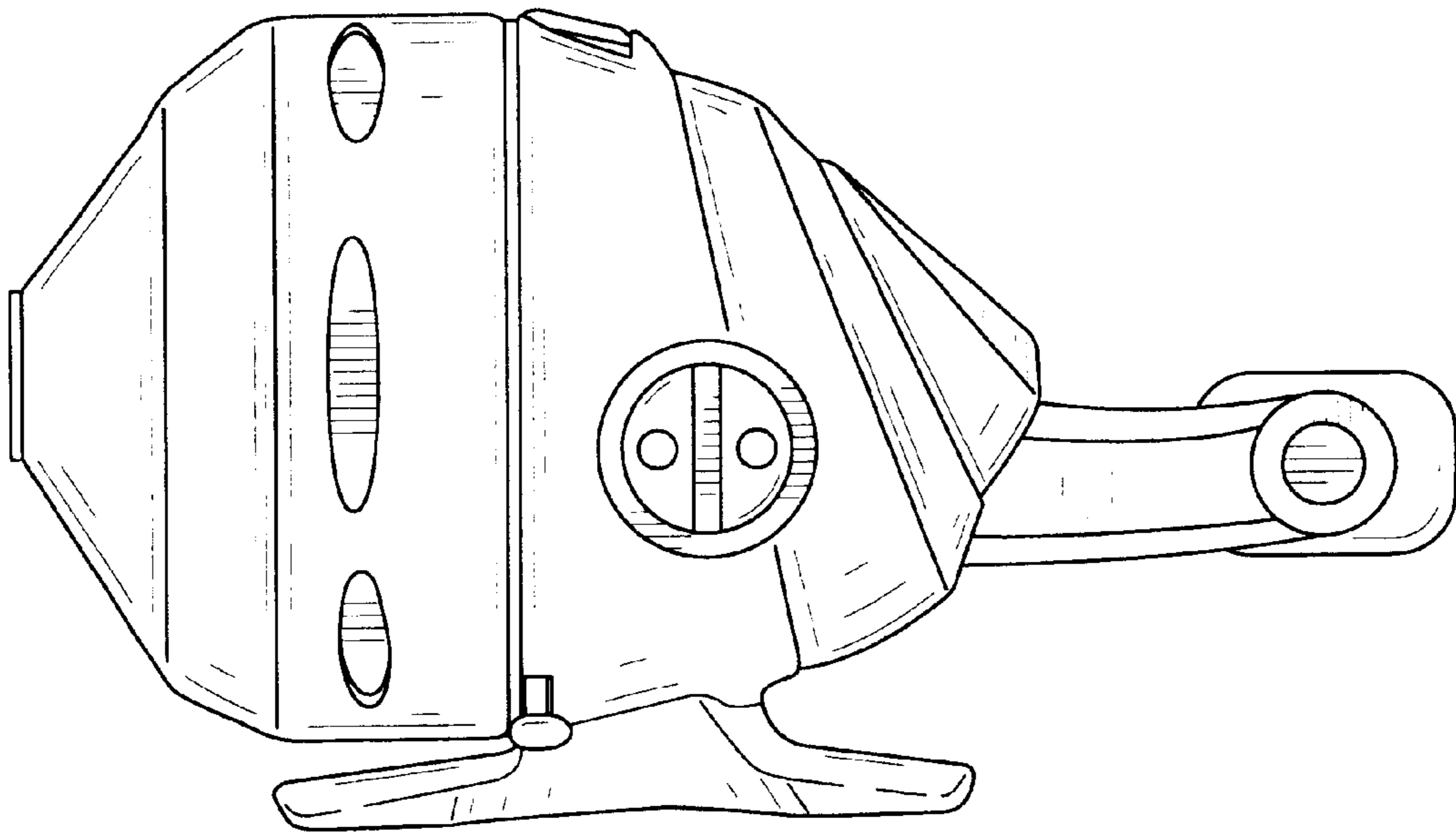


FIG. 3

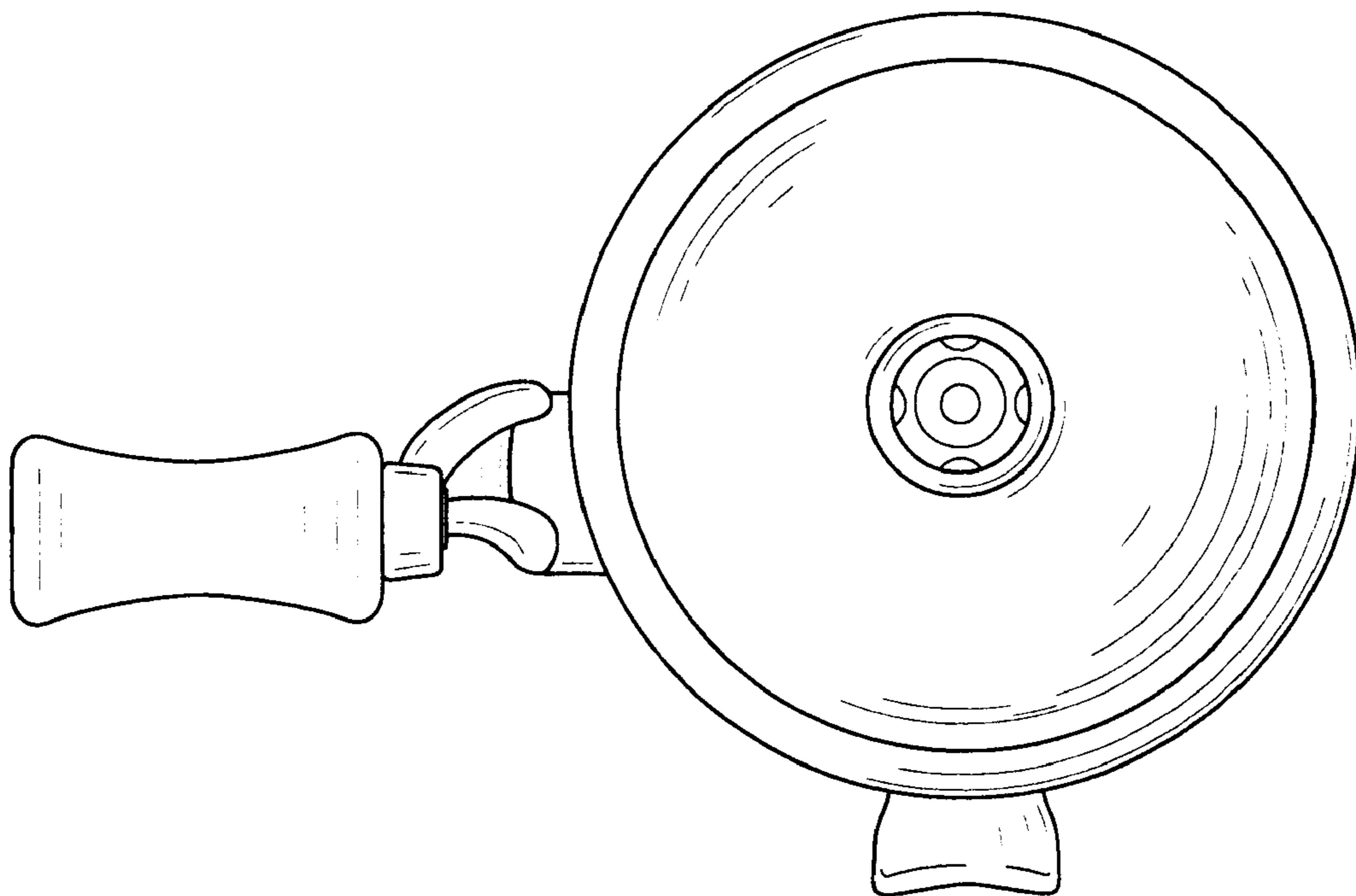


FIG. 4

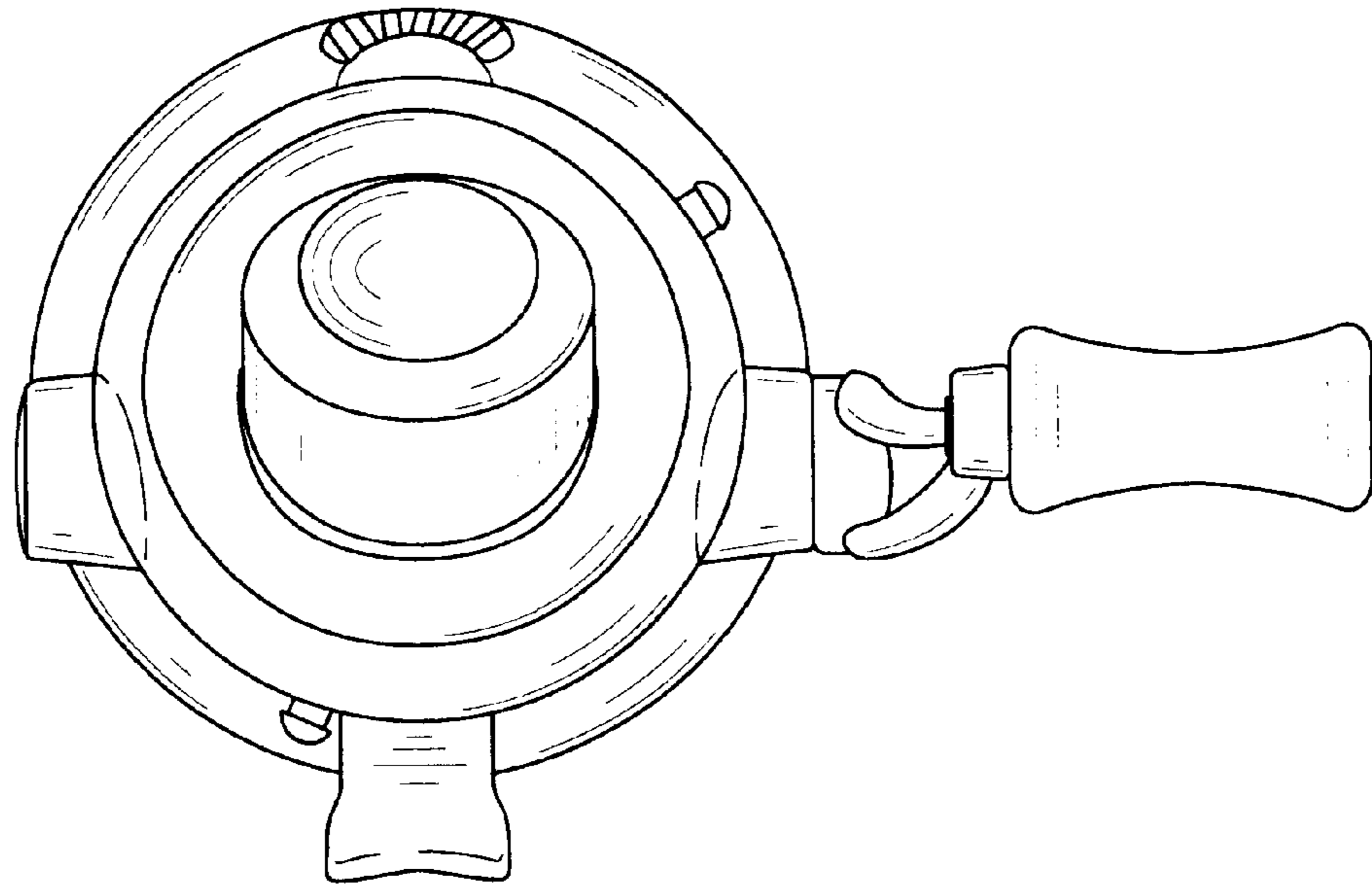


FIG. 5

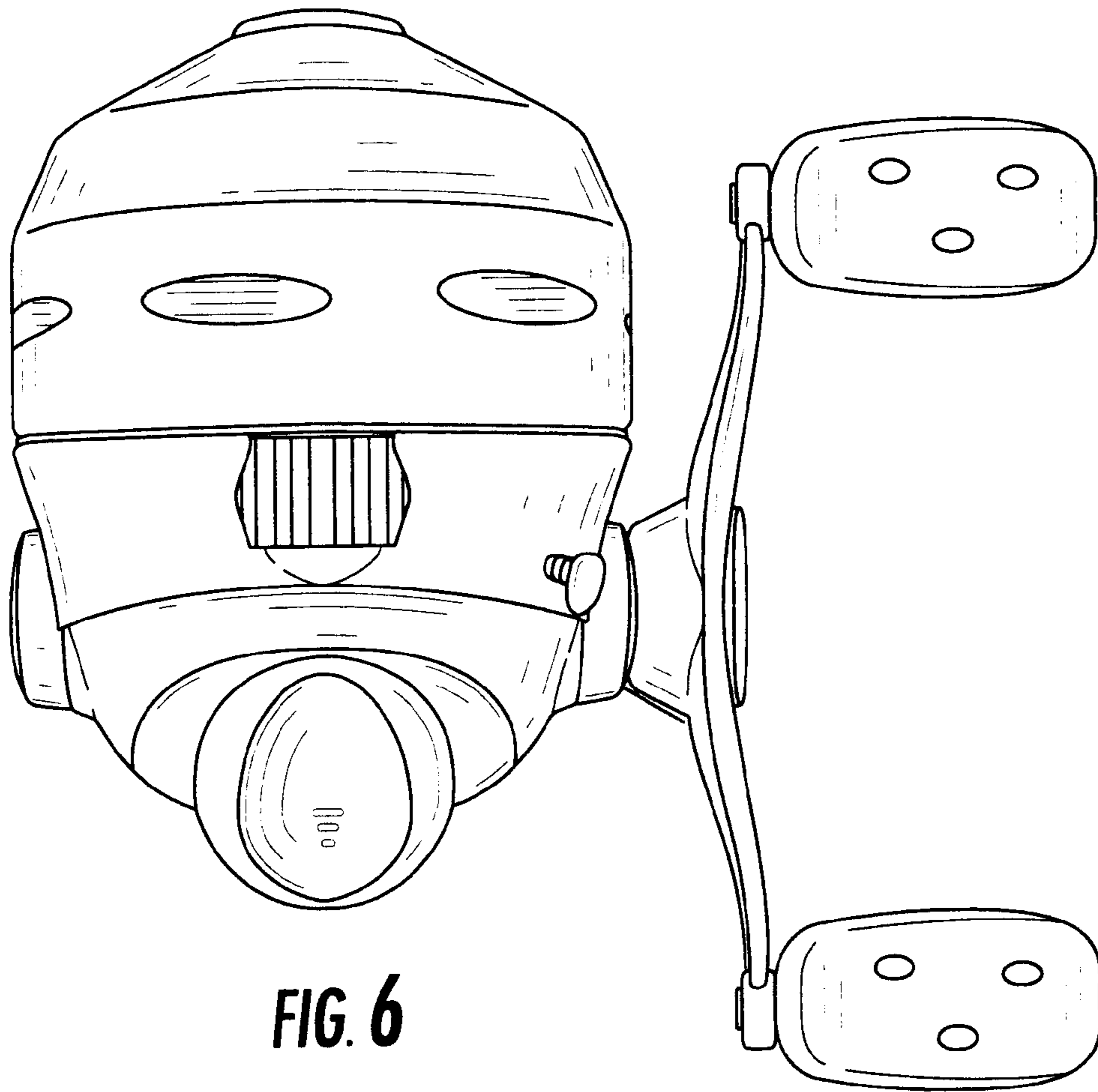


FIG. 6

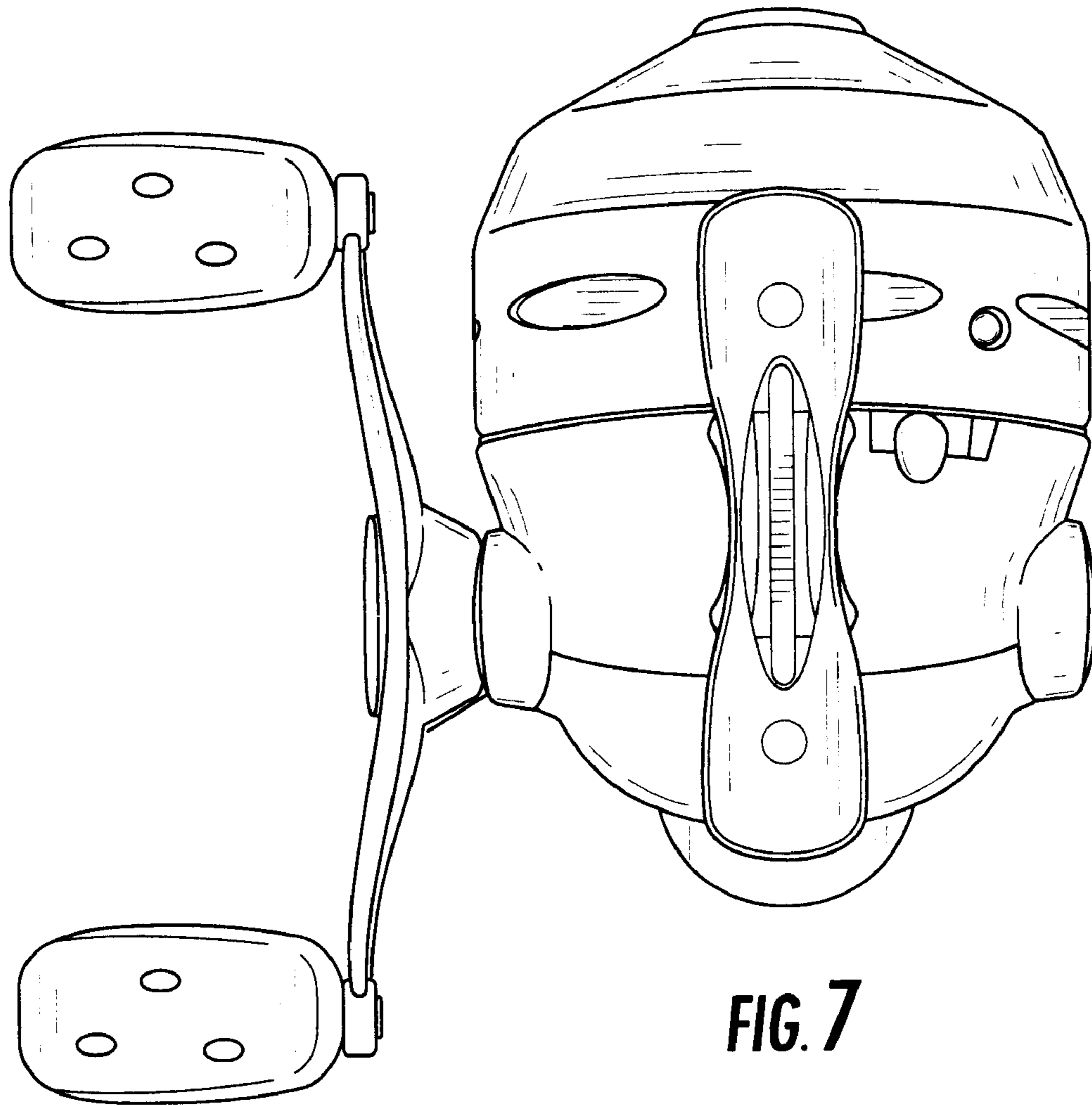


FIG. 7