



US00D521103S

(12) **United States Design Patent**
Franco

(10) **Patent No.:** **US D521,103 S**

(45) **Date of Patent:** **** May 16, 2006**

(54) **FISHING FLASHER LURE**

(76) Inventor: **David Franco**, 901 N. Butsher St.,
Suite D193, Newberg, OR (US) 97132

(**) Term: **14 Years**

(21) Appl. No.: **29/226,276**

(22) Filed: **Mar. 23, 2005**

(51) **LOC (8) Cl.** **22-05**

(52) **U.S. Cl.** **D22/129**

(58) **Field of Classification Search** D22/126–133;
43/42.31, 42.32, 42.33, 42.35, 42.5, 43.1,
43/43.13, 42.06
See application file for complete search history.

(56) **References Cited**

U.S. PATENT DOCUMENTS

D357,053 S	*	4/1995	Terrill	D22/129
D363,113 S		10/1995	Hazelquist	D22/129
D466,179 S	*	11/2002	Spotts	D22/126
D472,955 S		4/2003	Kyneman	D22/129
D495,396 S	*	8/2004	Yamaguchi	D22/129

OTHER PUBLICATIONS

Salmon–Trout–Steelheader magazine advertisements and articles, pp. 25, 52, 56, 77, 79 and 80, and Oregon Tackle Mfg. Inc. advertisement (page number unknown), Aug.–Sep. 2004.

* cited by examiner

Primary Examiner—Catherine R. Oliver

(74) *Attorney, Agent, or Firm*—Dellett & Walters

(57) **CLAIM**

I claim the ornamental design for a fishing flasher lure, as shown and described.

DESCRIPTION

FIG. 1 is a perspective view of the design for a fishing flasher lure;

FIG. 2 is a top view of the design of FIG. 1;

FIG. 3 is a bottom view of the design of FIG. 1;

FIG. 4 is a right side view of the design of FIG. 1;

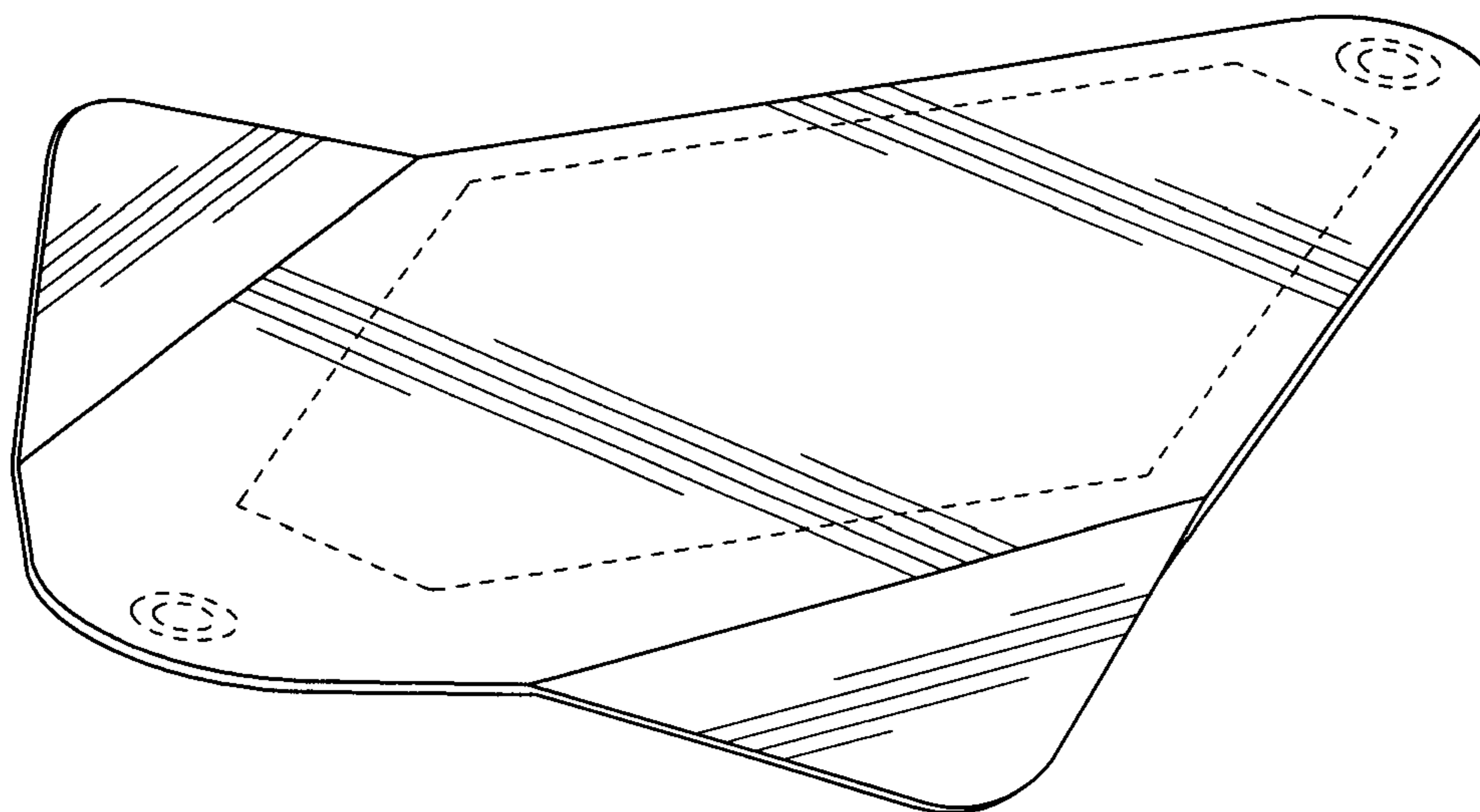
FIG. 5 is a left side view of the design of FIG. 1;

FIG. 6 is a rear view of the design of FIG. 1; and,

FIG. 7 is a front view of the design of FIG. 1.

The broken lines in the drawing figures are shown for illustrative purposes only and form no part of the claimed design.

1 Claim, 2 Drawing Sheets



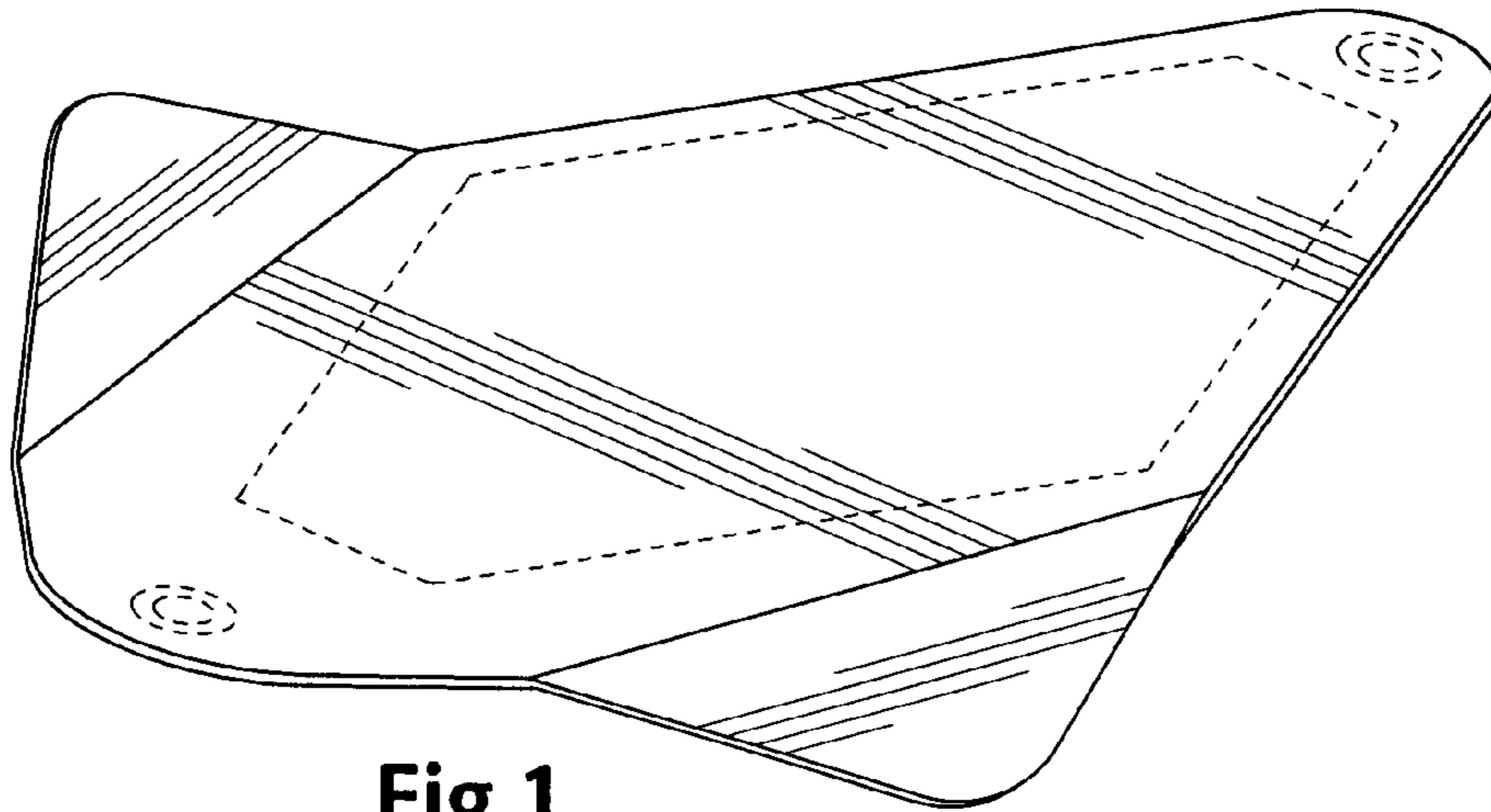


Fig.1

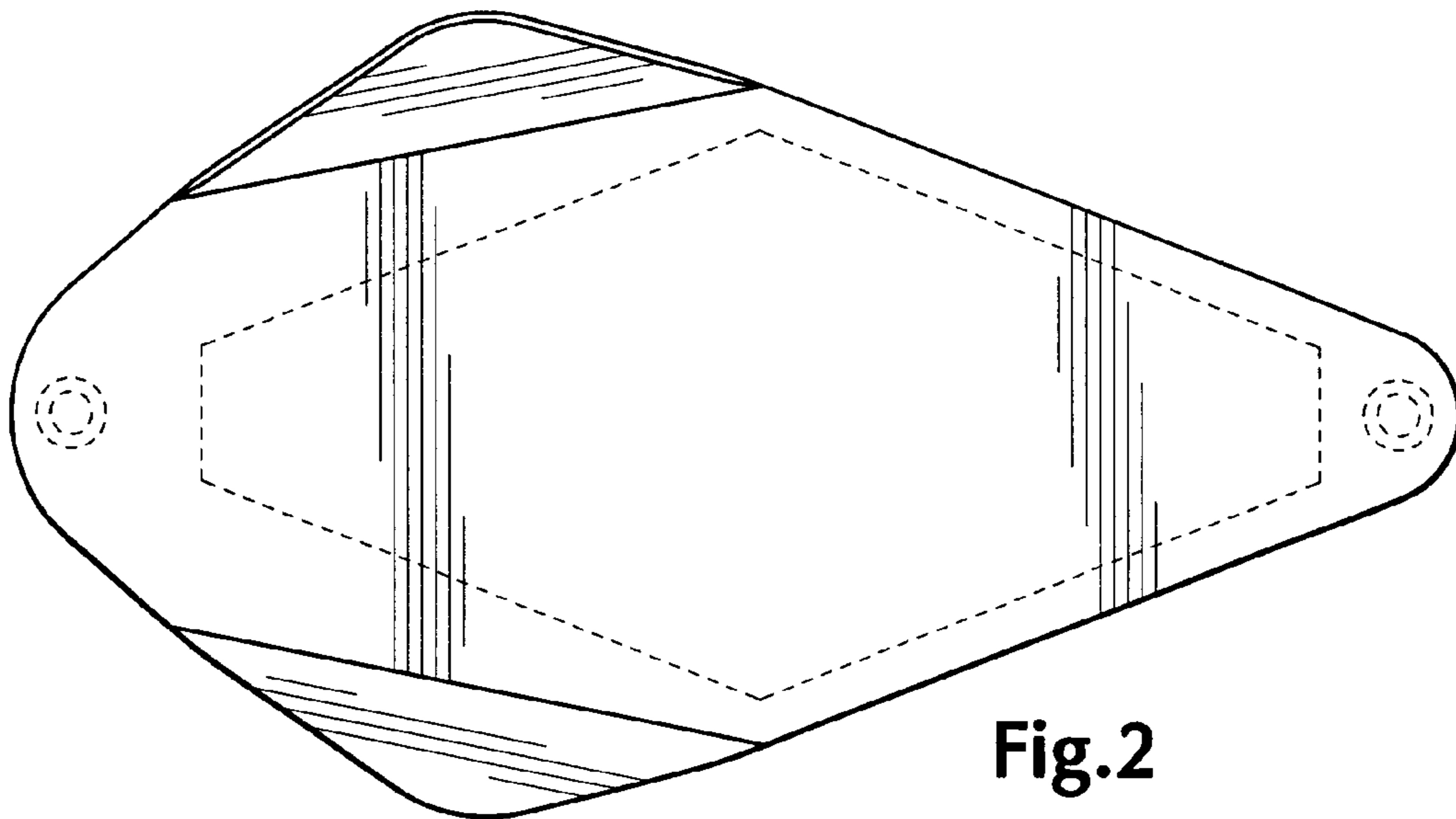


Fig.2

