

US00D521102S

(12) **United States Design Patent**
Hoyes

(10) **Patent No.:** **US D521,102 S**

(45) **Date of Patent:** **** May 16, 2006**

(54) **FLY TRAP**

(75) Inventor: **Paul Hoyes**, Grantham (GB)

(73) Assignee: **Killgerm Group Limited**, Ossett (GB)

(**) Term: **14 Years**

(21) Appl. No.: **29/217,454**

(22) Filed: **Nov. 16, 2004**

(51) **LOC (8) Cl.** **22-06**

(52) **U.S. Cl.** **D22/122**

(58) **Field of Classification Search** D22/119-124;
43/112-115, 122; D23/367-368; 206/5, 806;
239/57, 60

See application file for complete search history.

(56) **References Cited**

U.S. PATENT DOCUMENTS

1,561,832 A	*	11/1925	Corsi et al.	43/115
2,201,530 A	*	5/1940	Fuld	239/57
2,352,075 A	*	6/1944	Brownstein	239/57
D228,911 S	*	10/1973	Gatter	D23/368

4,392,322 A	*	7/1983	Kaveloski	43/122
D276,253 S	*	11/1984	Stout	D22/120
5,961,043 A	*	10/1999	Samuelson et al.	239/57

* cited by examiner

Primary Examiner—Catherine R. Oliver

(74) *Attorney, Agent, or Firm*—Marsh Fischmann & Breyfogle LLP

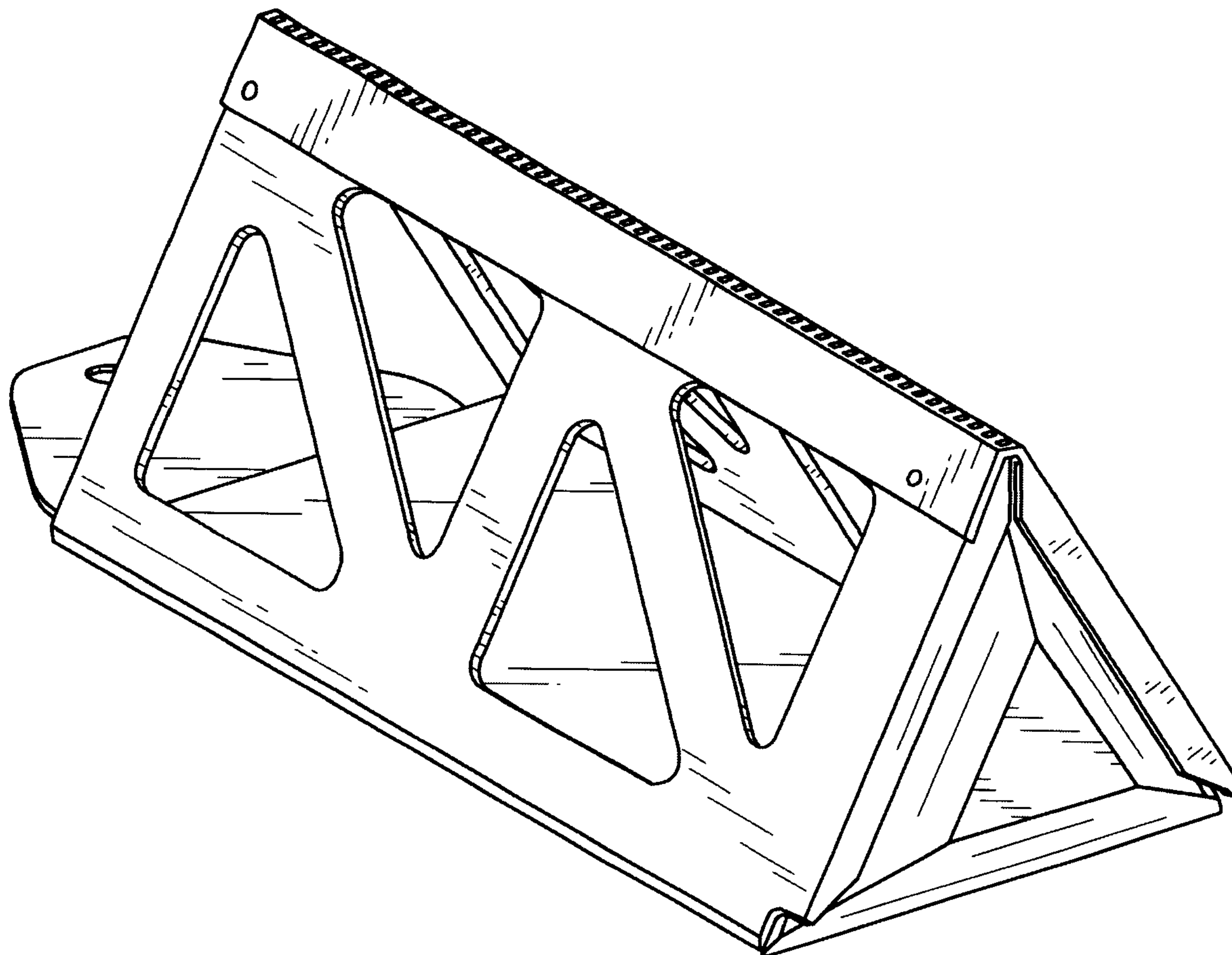
(57) **CLAIM**

The ornamental design for a fly trap, as shown and described.

DESCRIPTION

FIG. 1 is a perspective view of the fly trap fully deconstructed;
 FIG. 2 is a perspective view of the fly trap partially constructed;
 FIG. 3 is a perspective view of the fly trap partially constructed;
 FIG. 4 is a perspective view of the fly trap partially constructed; and,
 FIG. 5 is a perspective view of the fly trap fully constructed.

1 Claim, 5 Drawing Sheets



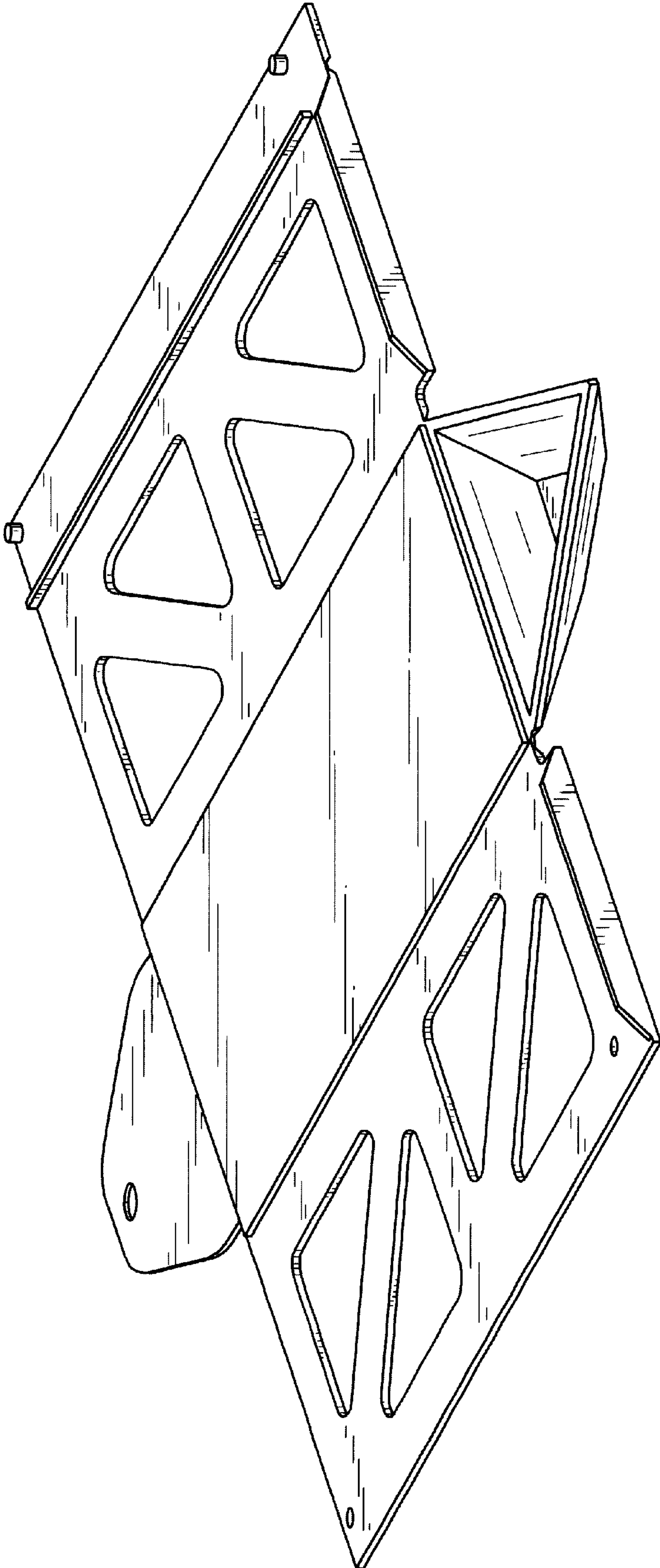


FIG.1

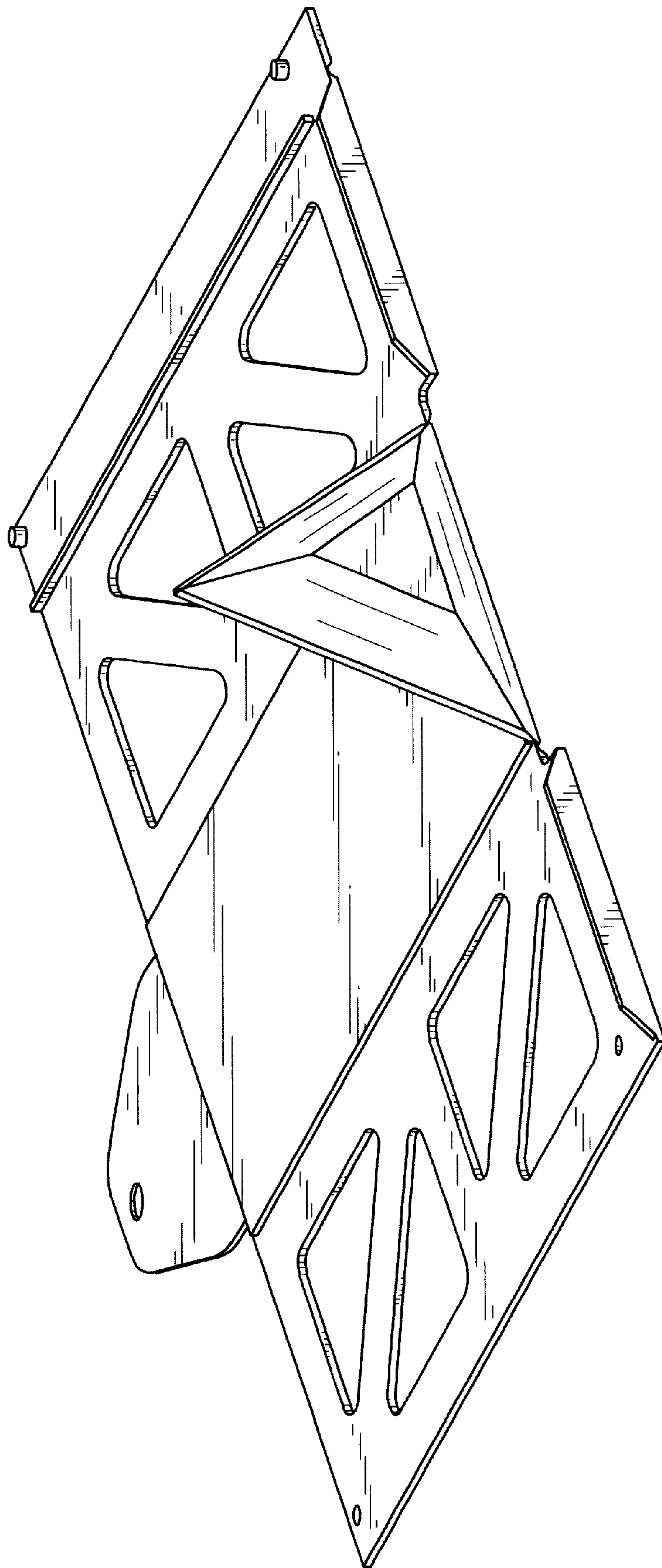


FIG.2

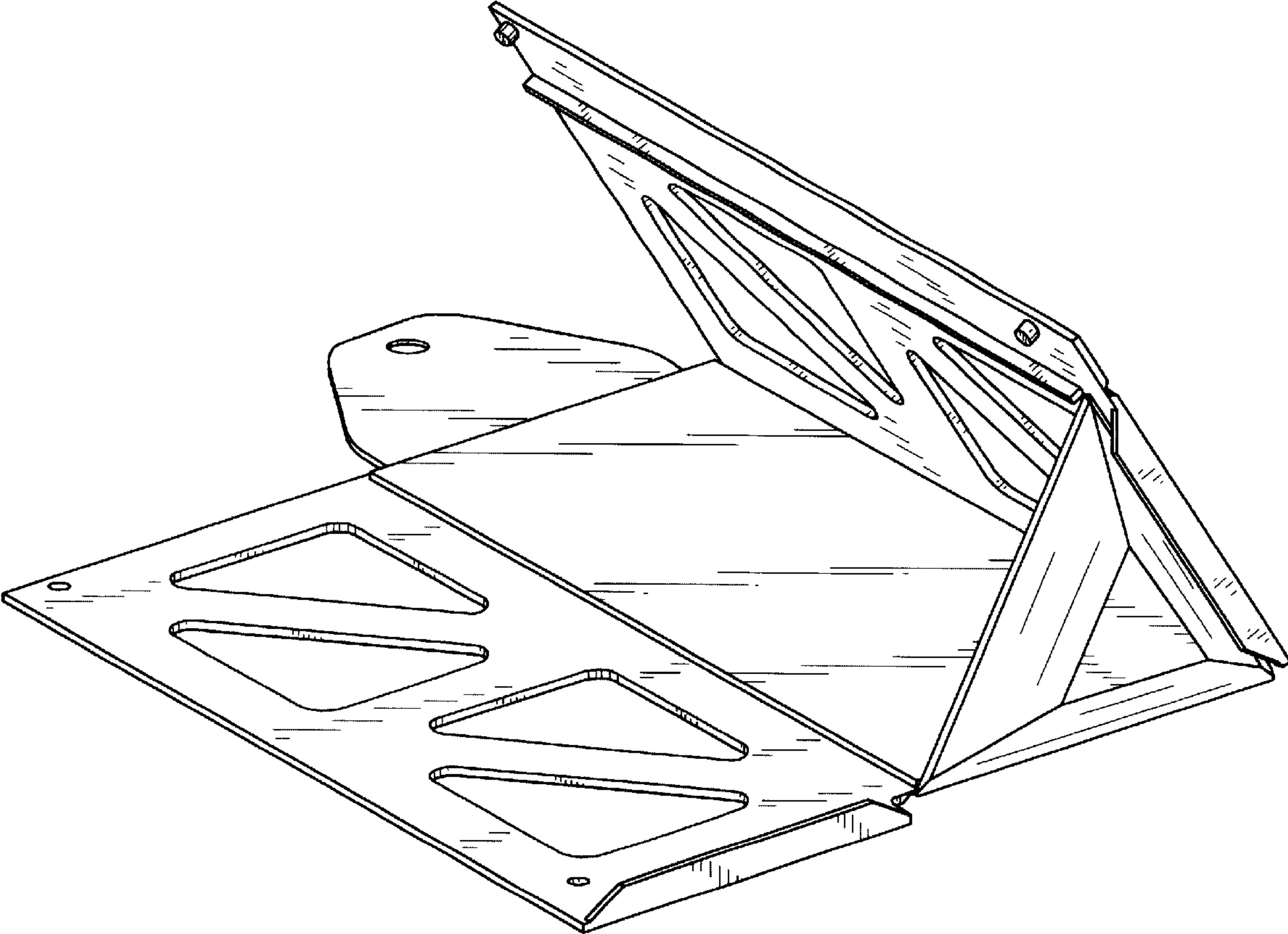


FIG.3

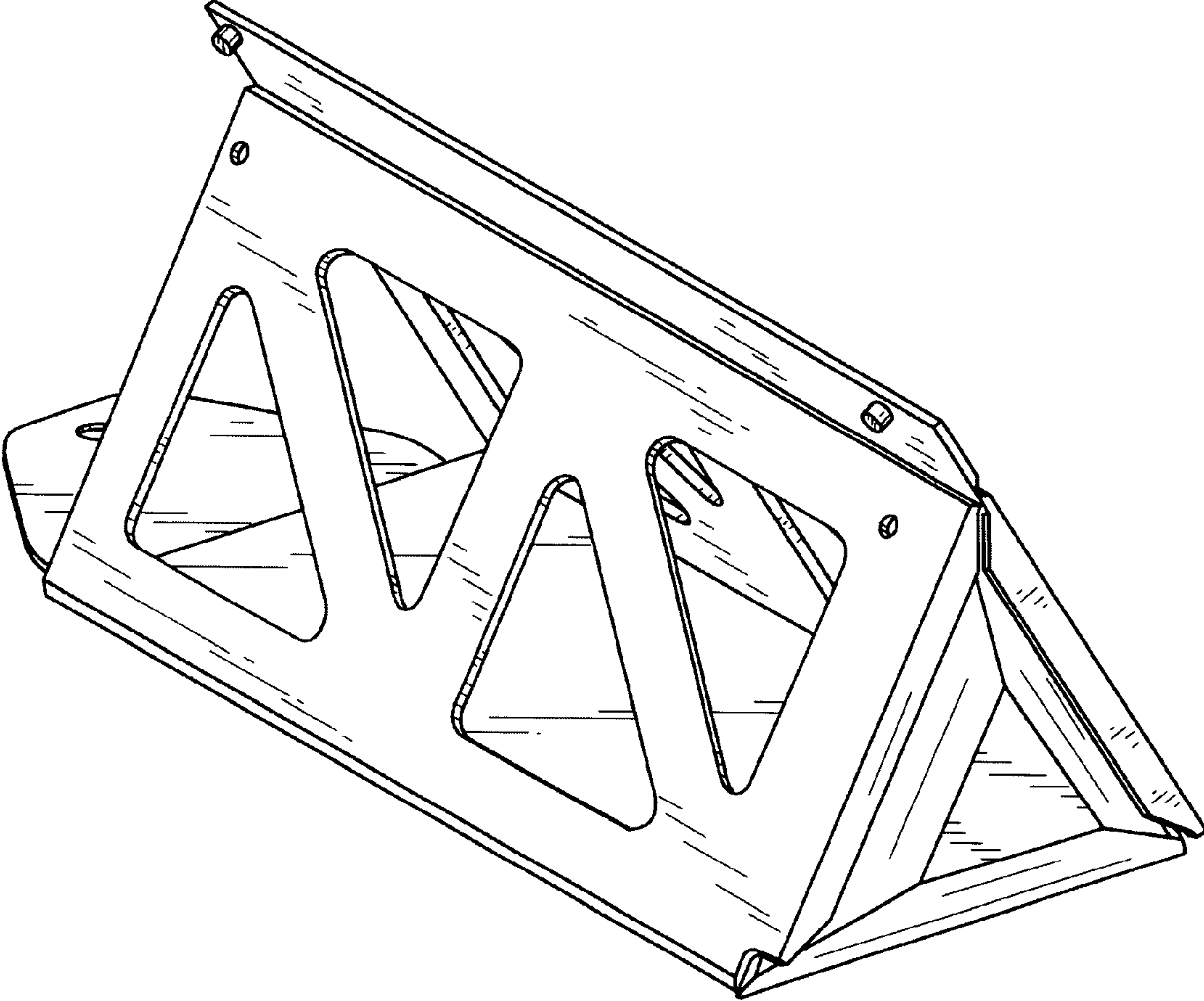


FIG.4

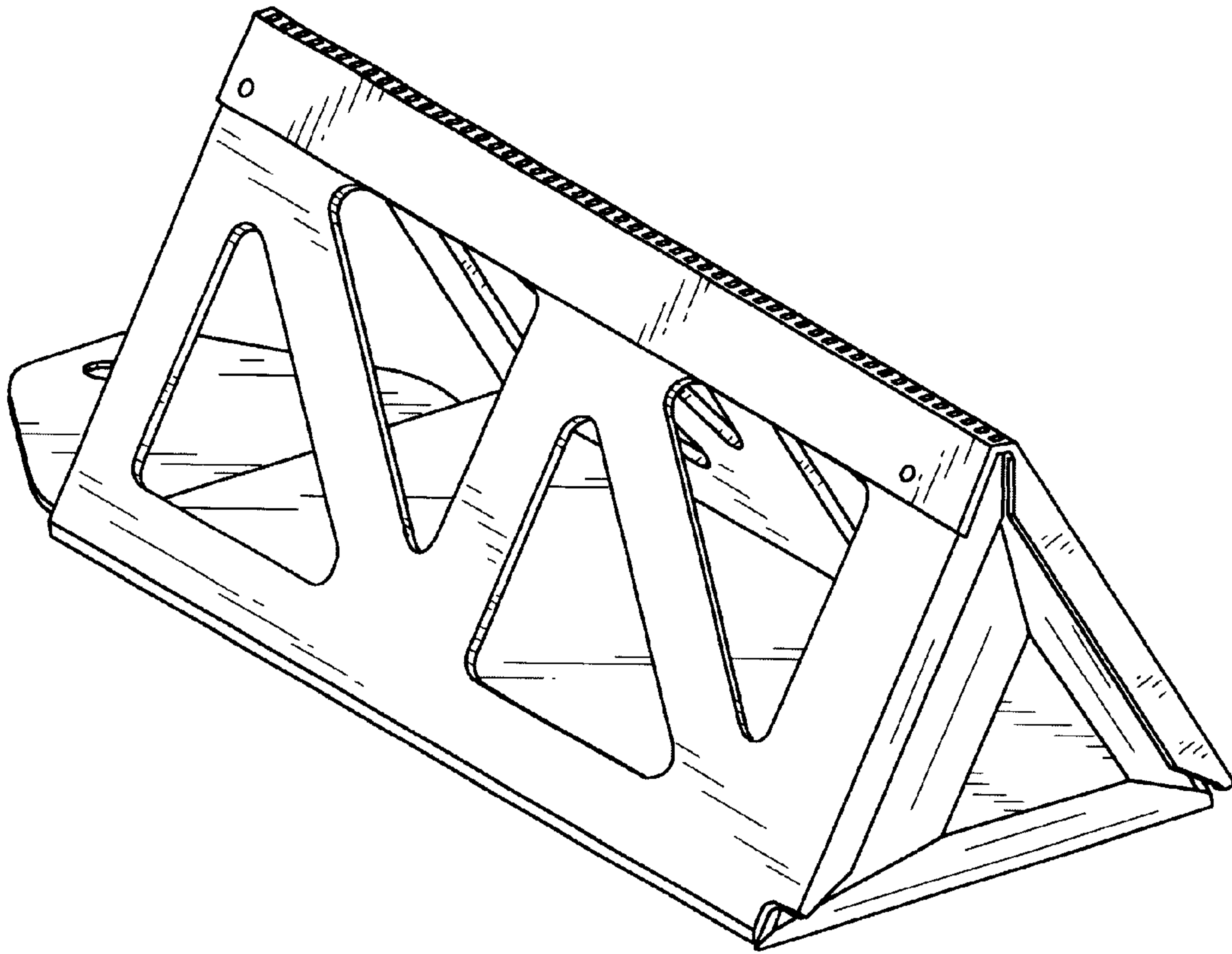


FIG.5