

US00D521101S

(12) **United States Design Patent** (10) **Patent No.:** **US D521,101 S**
Warren (45) **Date of Patent:** **** May 16, 2006**

(54) **GUN SIGHT**

(75) Inventor: **Scott M. Warren**, 15702 Beacon Ct.,
Montclair, VA (US) 22026

(73) Assignee: **Scott M. Warren**, Montclair, VA (US)

(**) Term: **14 Years**

(21) Appl. No.: **29/237,717**

(22) Filed: **Sep. 6, 2005**

Related U.S. Application Data

(62) Division of application No. 29/206,862, filed on Jun. 4,
2004.

(51) **LOC (8) Cl.** **22-01**

(52) **U.S. Cl.** **D22/109; D22/110**

(58) **Field of Classification Search** D22/100,
D22/108-110, 199; 42/111-113, 124, 134-145;
89/161, 41.19, 200-204; 33/227

See application file for complete search history.

(56) **References Cited**

U.S. PATENT DOCUMENTS

1,363,553 A	12/1920	Barringer	
D273,217 S	3/1984	Swenson	
D296,227 S	6/1988	Novak	
D301,512 S	6/1989	Novak	
D305,146 S	12/1989	Novak	
D305,561 S	1/1990	Novak	
D315,776 S	3/1991	Novak	
D351,449 S	10/1994	Dagley	
D352,087 S	11/1994	Stevens et al.	
D361,366 S	* 8/1995	Emerson	D22/109
D363,334 S	* 10/1995	De Oliveira Masina	... D22/109
5,822,872 A	10/1998	Waki	
D403,734 S	1/1999	Kay	
D407,788 S	4/1999	Kay	
6,035,539 A	3/2000	Hollenbach et al.	
D428,102 S	* 7/2000	Flubacher et al. D22/109
D432,618 S	10/2000	Wilson	

D435,080 S	12/2000	Ling, Jr.	
D435,282 S	12/2000	Ling, Jr.	
D435,625 S	12/2000	Ling, Jr.	
D436,393 S	1/2001	Ling, Jr.	
6,216,351 B1	4/2001	Flubacher et al.	
6,230,414 B1	* 5/2001	Glock 42/139
D447,205 S	* 8/2001	Keng D22/109
D447,206 S	8/2001	Ling, Jr.	
D492,747 S	7/2004	LoRocco	
6,834,457 B1	* 12/2004	Warren 42/141

OTHER PUBLICATIONS

Wilson Combat 2001 Master Catalog, cover and selected pp.
71-73.

* cited by examiner

Primary Examiner—Ian Simmons

Assistant Examiner—Melanie Levy

(74) *Attorney, Agent, or Firm*—Fay, Sharpe, Fagan,
Minnich & McKee, LLP

(57) **CLAIM**

The ornamental design for a gun sight, as shown and
described.

DESCRIPTION

FIG. 1 is a rear perspective view of a gun sight according to
the present invention showing my new design;

FIG. 2 is a top plan view of the gun sight shown in FIG. 1;

FIG. 3 is a rear elevational view of the gun sight shown in
FIG. 1;

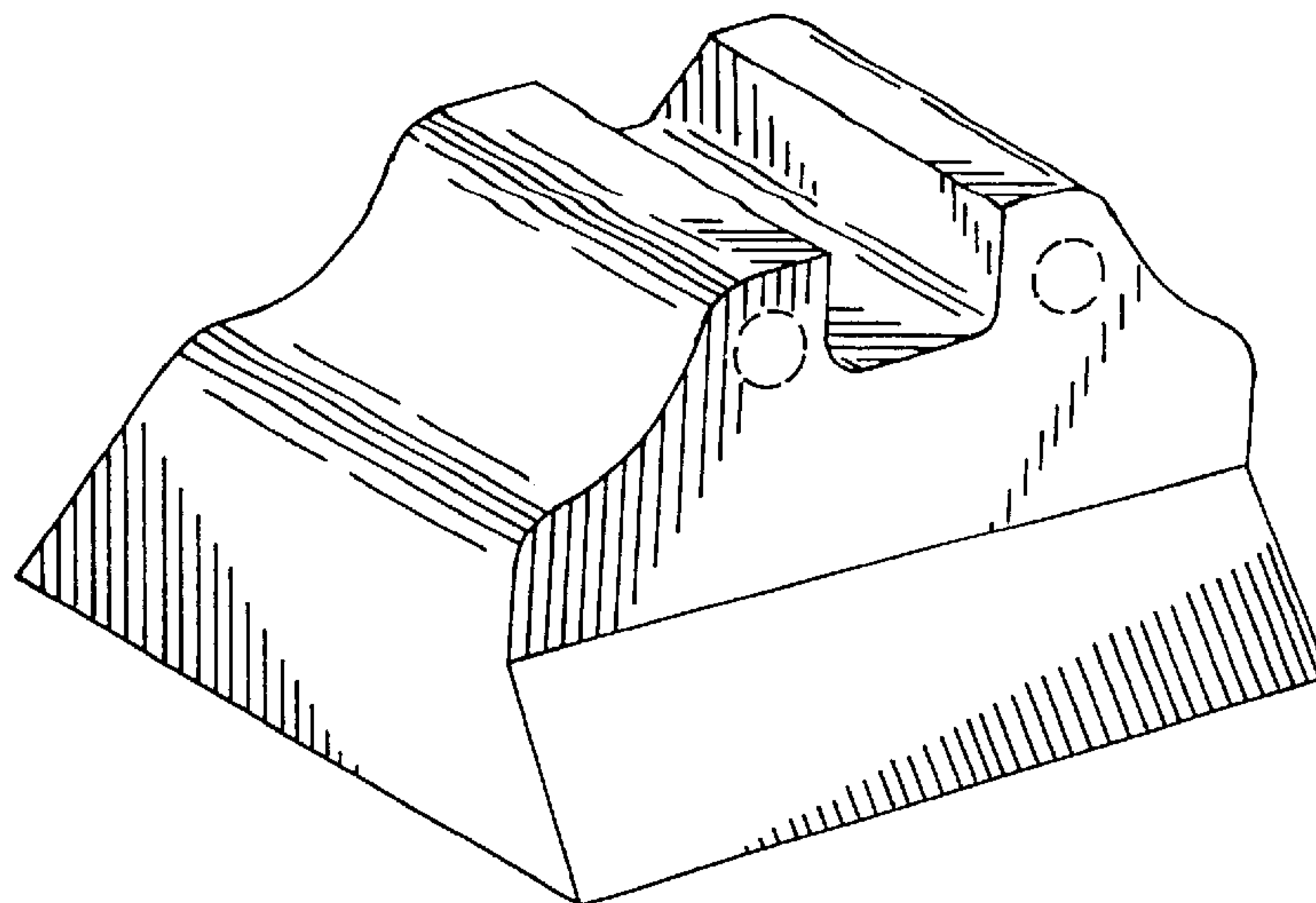
FIG. 4 is a right side elevational view of the gun sight shown
in FIG. 1, the left side being a mirror image of the right side;
and,

FIG. 5 is a front elevational view of the gun sight shown in
FIG. 1.

The broken lines are for illustrative purposes only and form
no part of the claimed design.

The bottom of the gun sight shown in FIG. 1 has no
ornamentation.

1 Claim, 1 Drawing Sheet



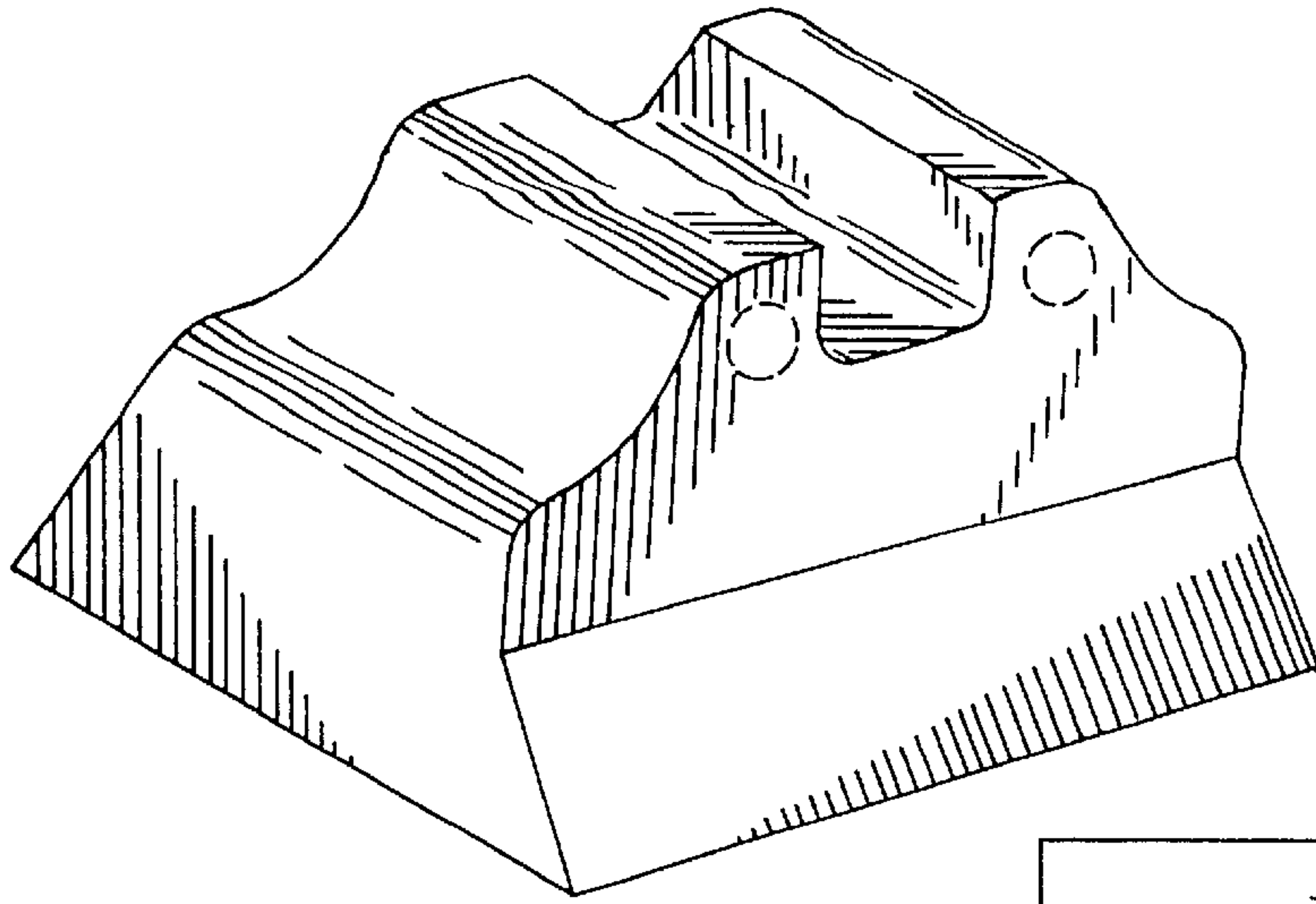


FIG. 1

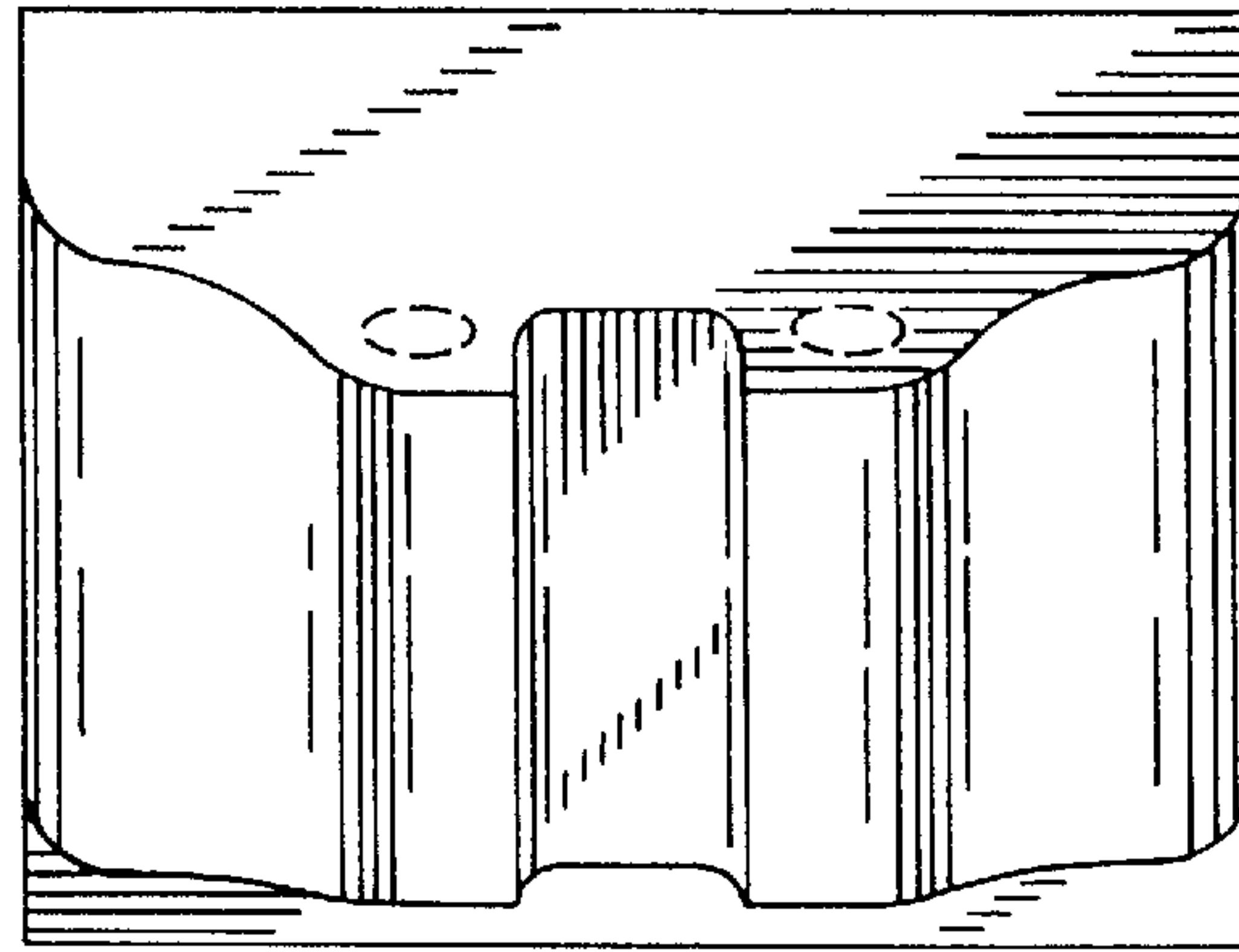


FIG. 2

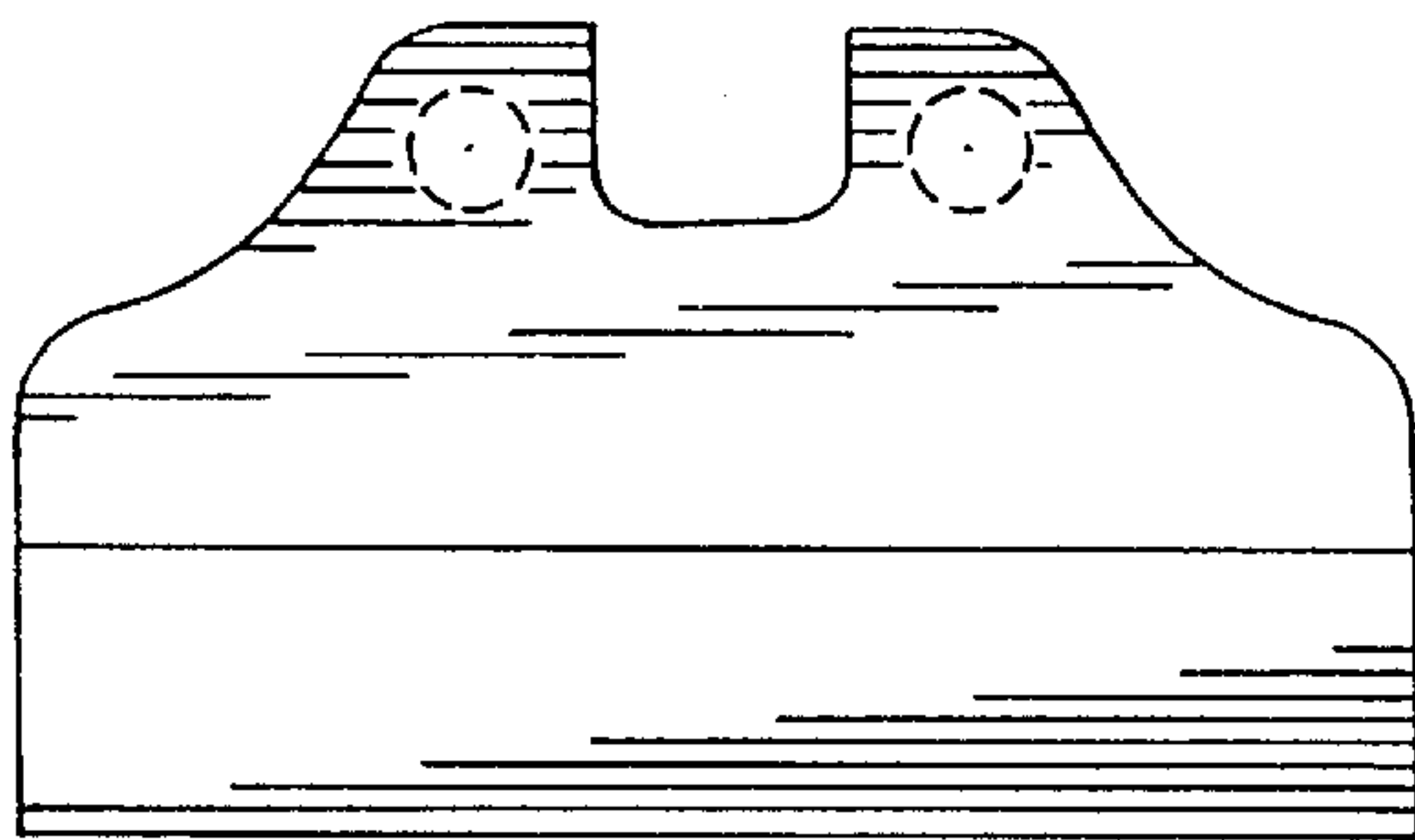


FIG. 3

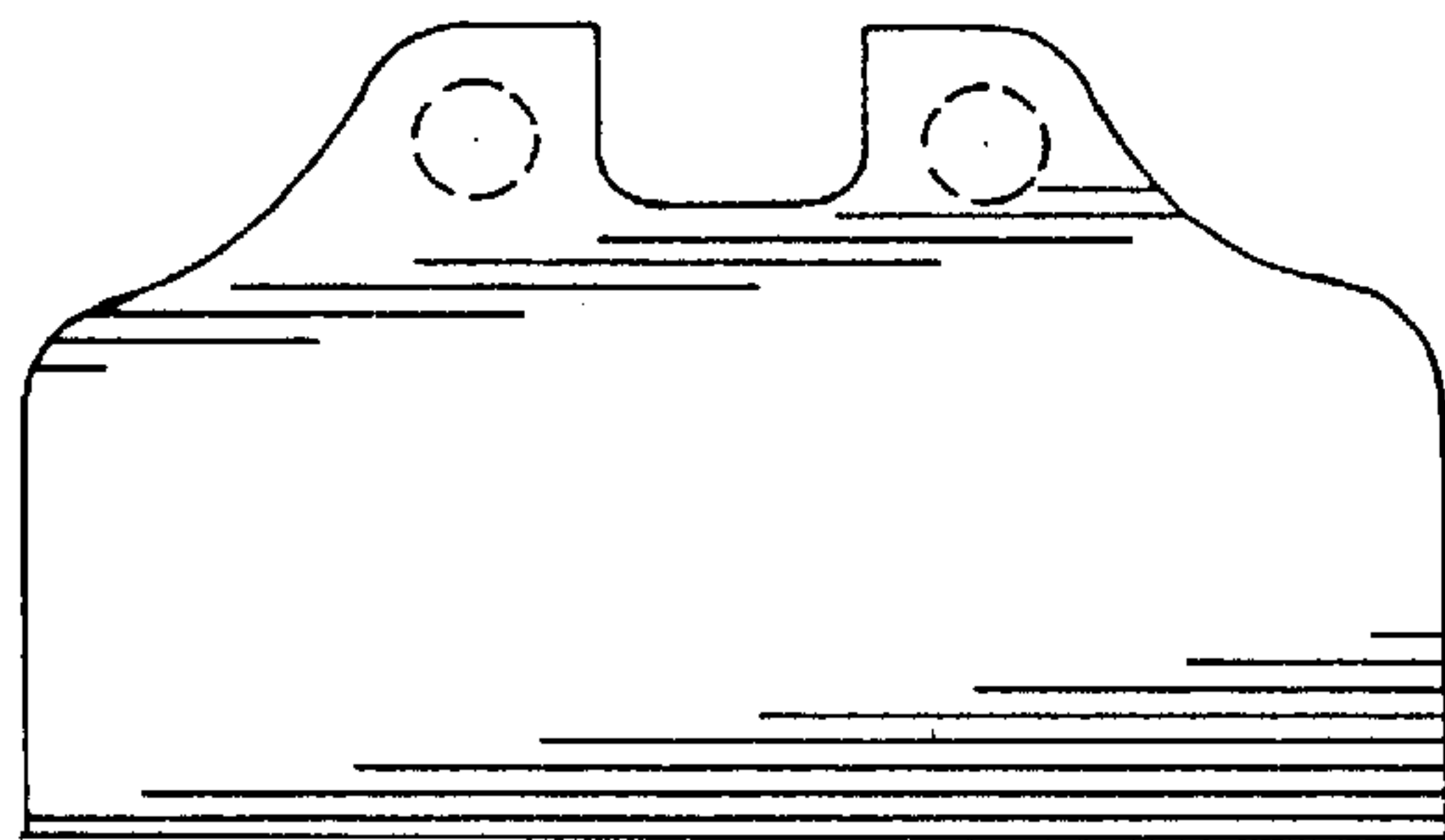


FIG. 5

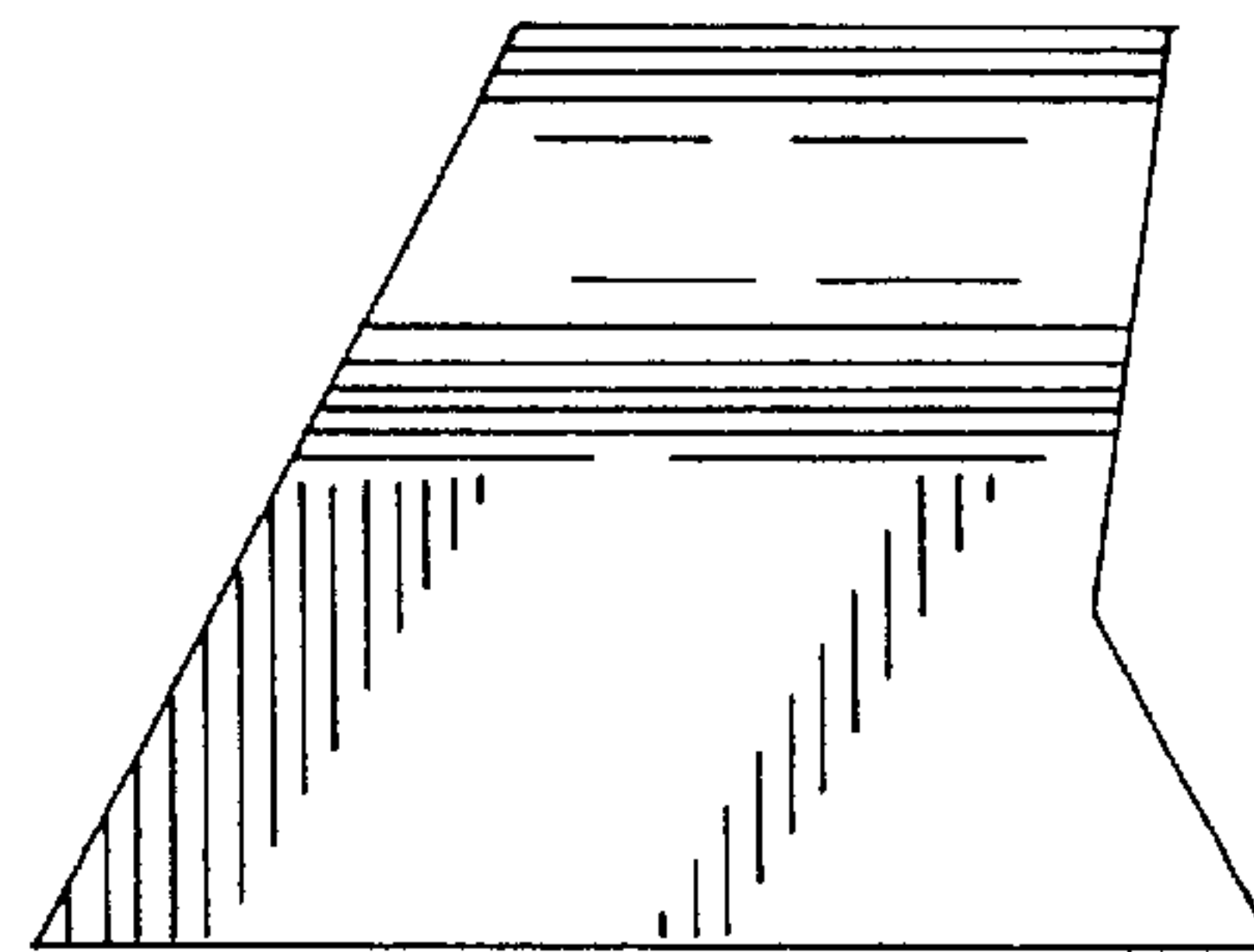


FIG. 4