



US00D521100S

(12) **United States Design Patent**  
**Morrow**

(10) **Patent No.:** **US D521,100 S**

(45) **Date of Patent:** **\*\* May 16, 2006**

(54) **SHOOTING REST**

(75) Inventor: **Tim Morrow**, Jefferson City, MO (US)

(73) Assignee: **Battenfeld Technologies, Inc.**,  
Columbia, MO (US)

(\*\*) Term: **14 Years**

(21) Appl. No.: **29/212,437**

(22) Filed: **Sep. 1, 2004**

(51) **LOC (8) Cl.** ..... **22-01**

(52) **U.S. Cl.** ..... **D22/108**

(58) **Field of Classification Search** ..... D22/100,  
D22/101, 107, 108, 199; D21/569; D6/552;  
42/94, 55; 89/37.04, 37.12, 40.06, 37.11;  
224/913; 211/64; 248/125.3, 156, 187.1,  
248/171, 354.6

See application file for complete search history.

(56) **References Cited**

**U.S. PATENT DOCUMENTS**

D261,794 S	*	11/1981	Bechtel	.....	D22/108
4,558,531 A		12/1985	Kilby		
5,067,268 A		11/1991	Ransom		
5,617,666 A	*	4/1997	Scott	.....	42/94
6,883,263 B1	*	4/2005	Carrow	.....	42/94

**OTHER PUBLICATIONS**

Precision Shooting, Inc., Bald Eagle Front Rest, The Accurate Rifle, May 2003, p. 47, vol. 6, Issue No. 4.

Sinclair International, Sinclair Shooting Rests, Products for the Precision Shooter, 2002, p. 76-78, Issue No. 2002-B.

\* cited by examiner

*Primary Examiner*—Ian Simmons

*Assistant Examiner*—Melanie Levy

(74) *Attorney, Agent, or Firm*—Senniger Powers

(57) **CLAIM**

The ornamental design for a shooting rest, as shown and described.

**DESCRIPTION**

FIG. 1 is a front perspective of a shooting rest of the present invention;

FIG. 2 is a rear perspective thereof;

FIG. 3 is a top plan thereof;

FIG. 4 is a bottom plan thereof;

FIG. 5 is a front elevation thereof;

FIG. 6 is a rear elevation thereof;

FIG. 7 is a right side elevation thereof;

FIG. 8 is a left side elevation view thereof;

FIG. 9 is a front perspective of the shooting rest with a firearm supported by the shooting rest shown by broken lines to show environment in which the claimed design is associated but forming no part of the claimed design; and, FIG. 10 is an exploded front perspective of the shooting rest.

The broken lines shown in FIG. 9 indicate structure and features which form no part of the claimed design.

**1 Claim, 6 Drawing Sheets**

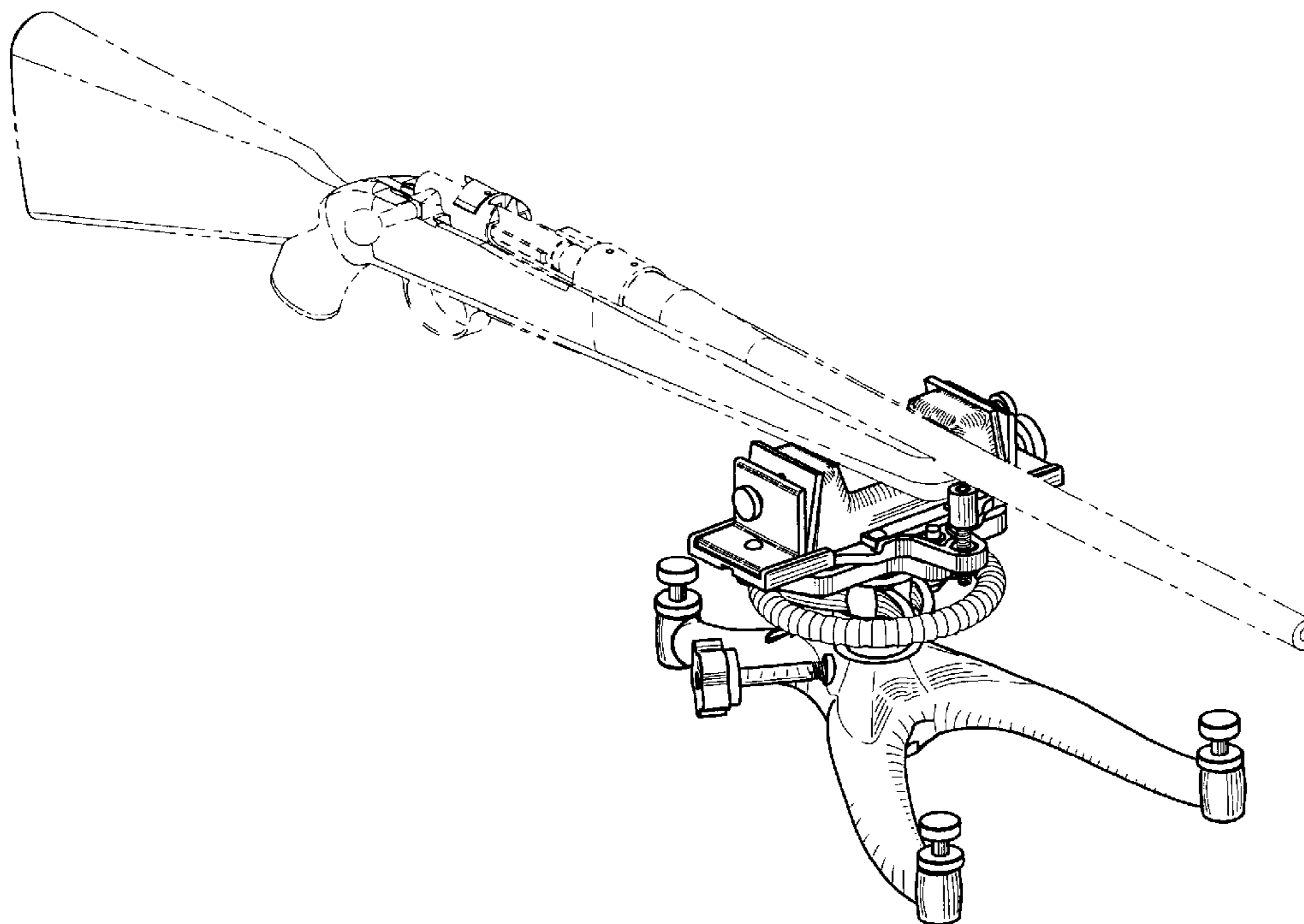


FIG. 1

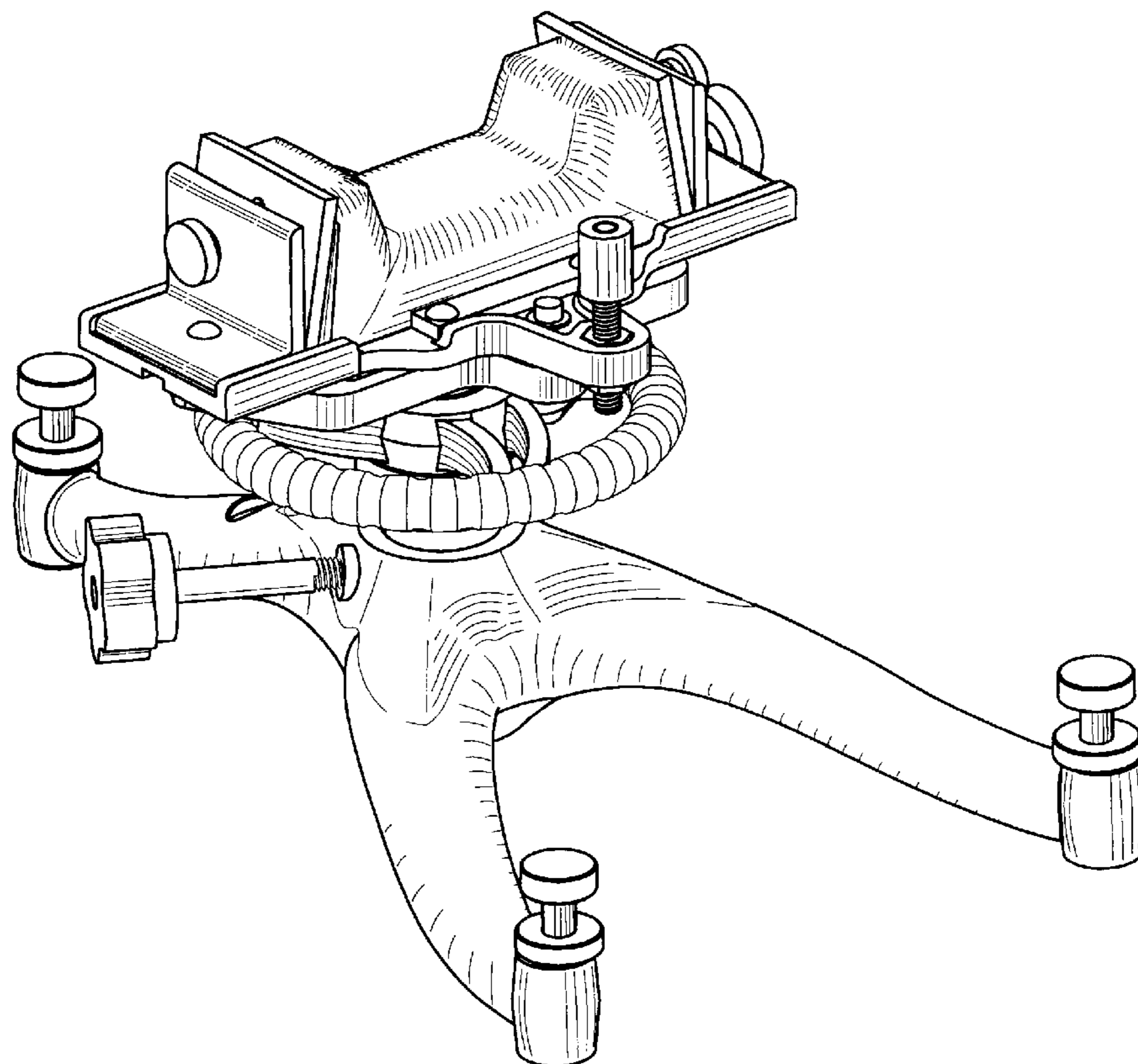


FIG. 2

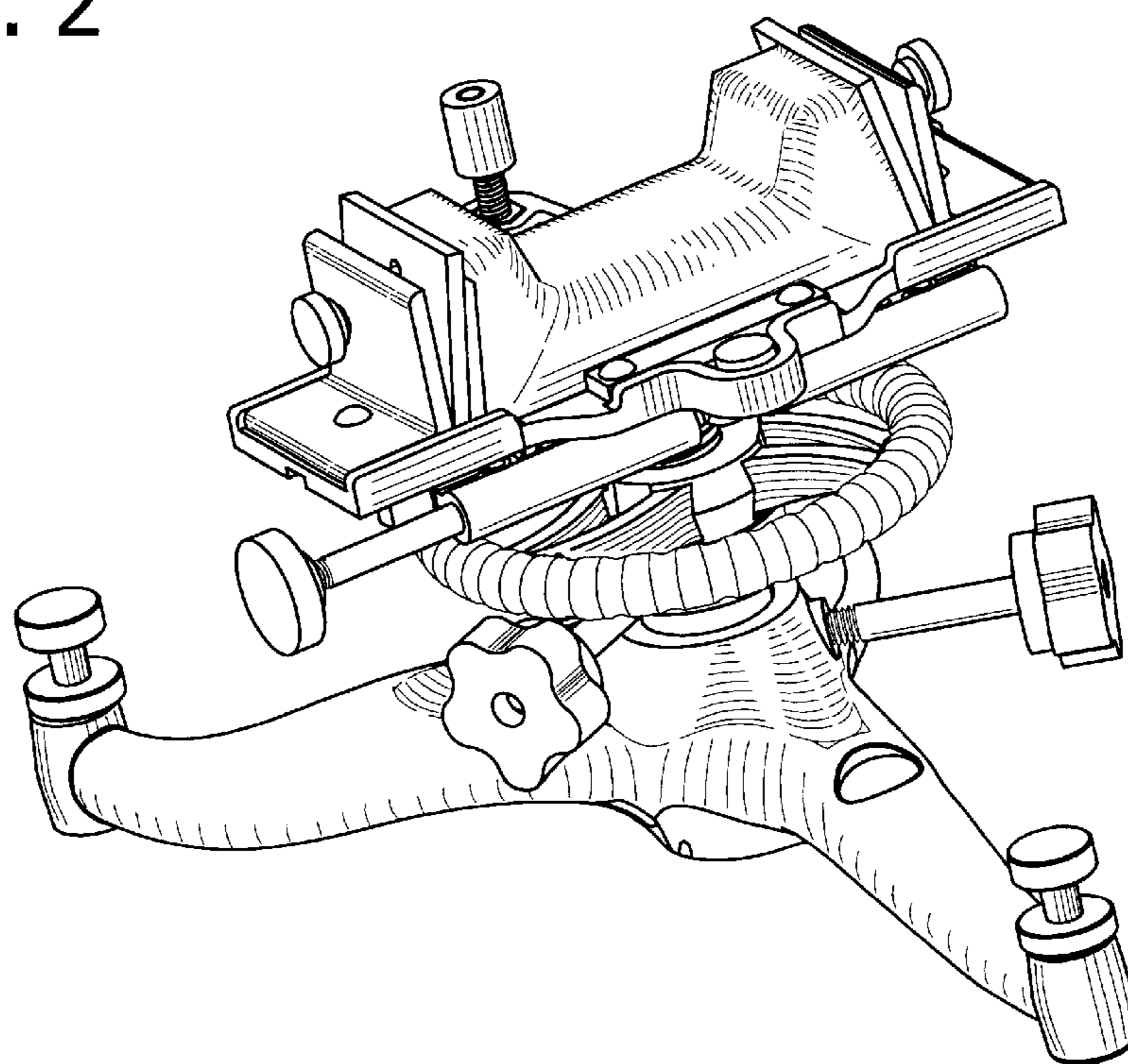


FIG. 3

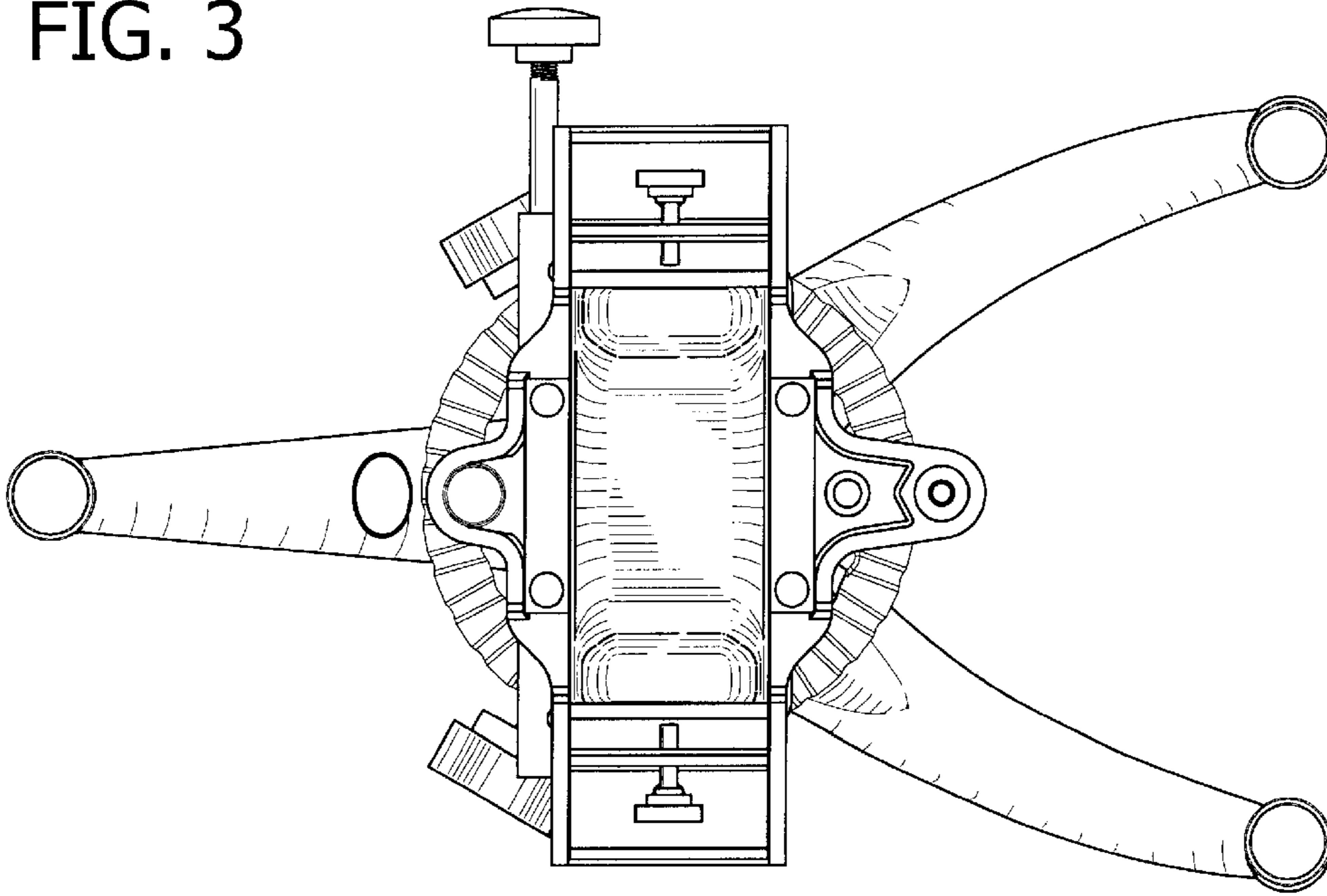


FIG. 4

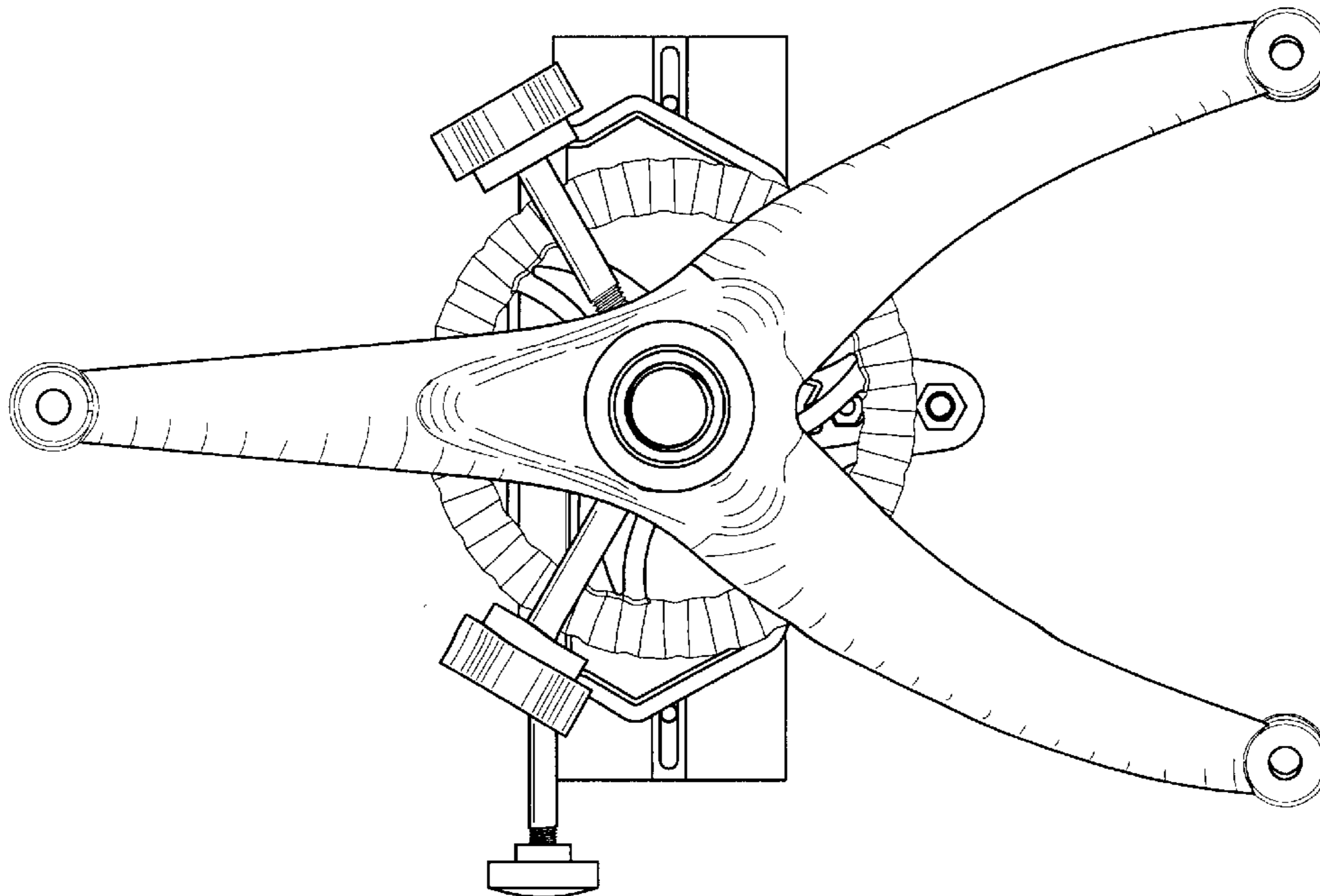


FIG. 5

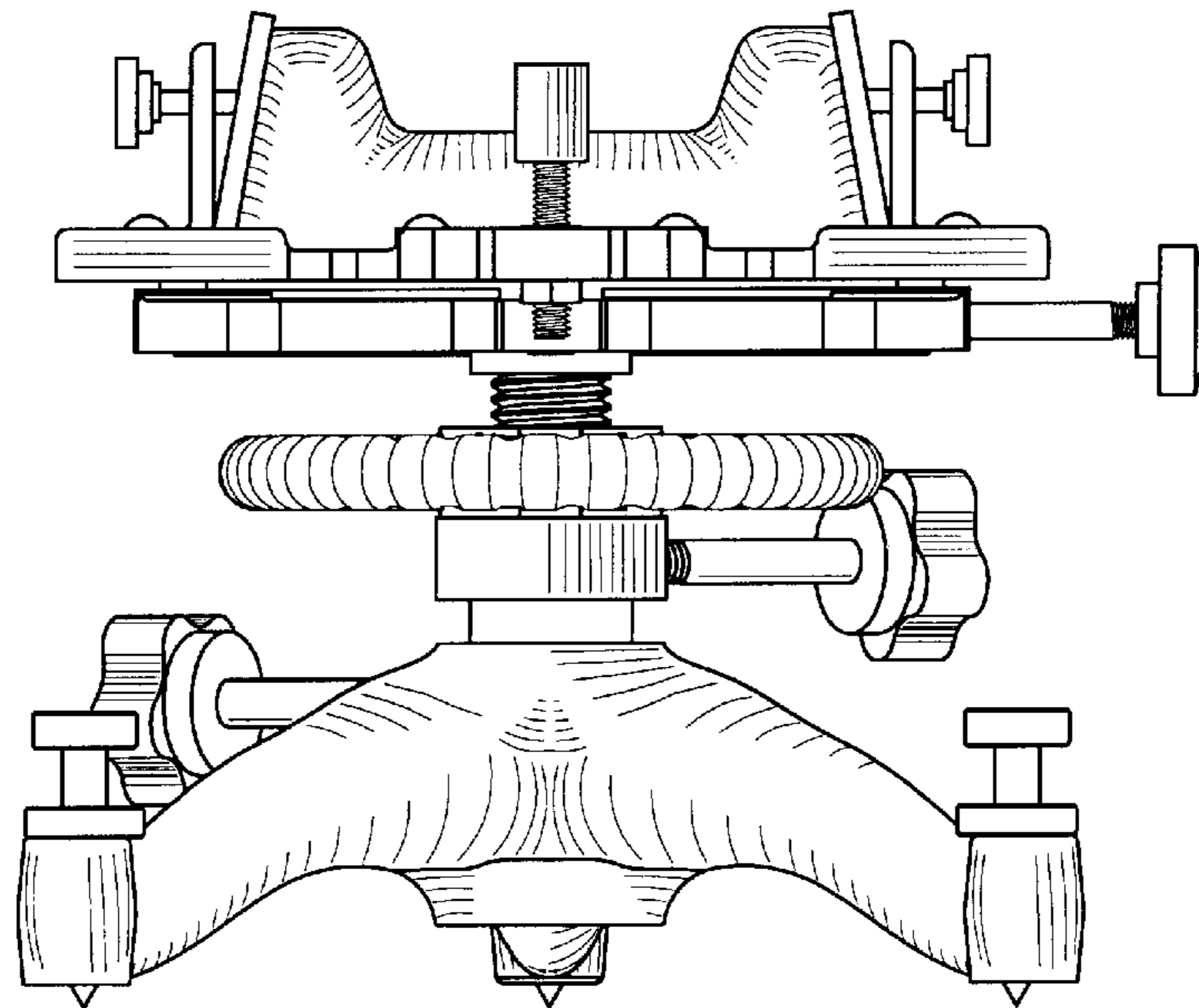


FIG. 6

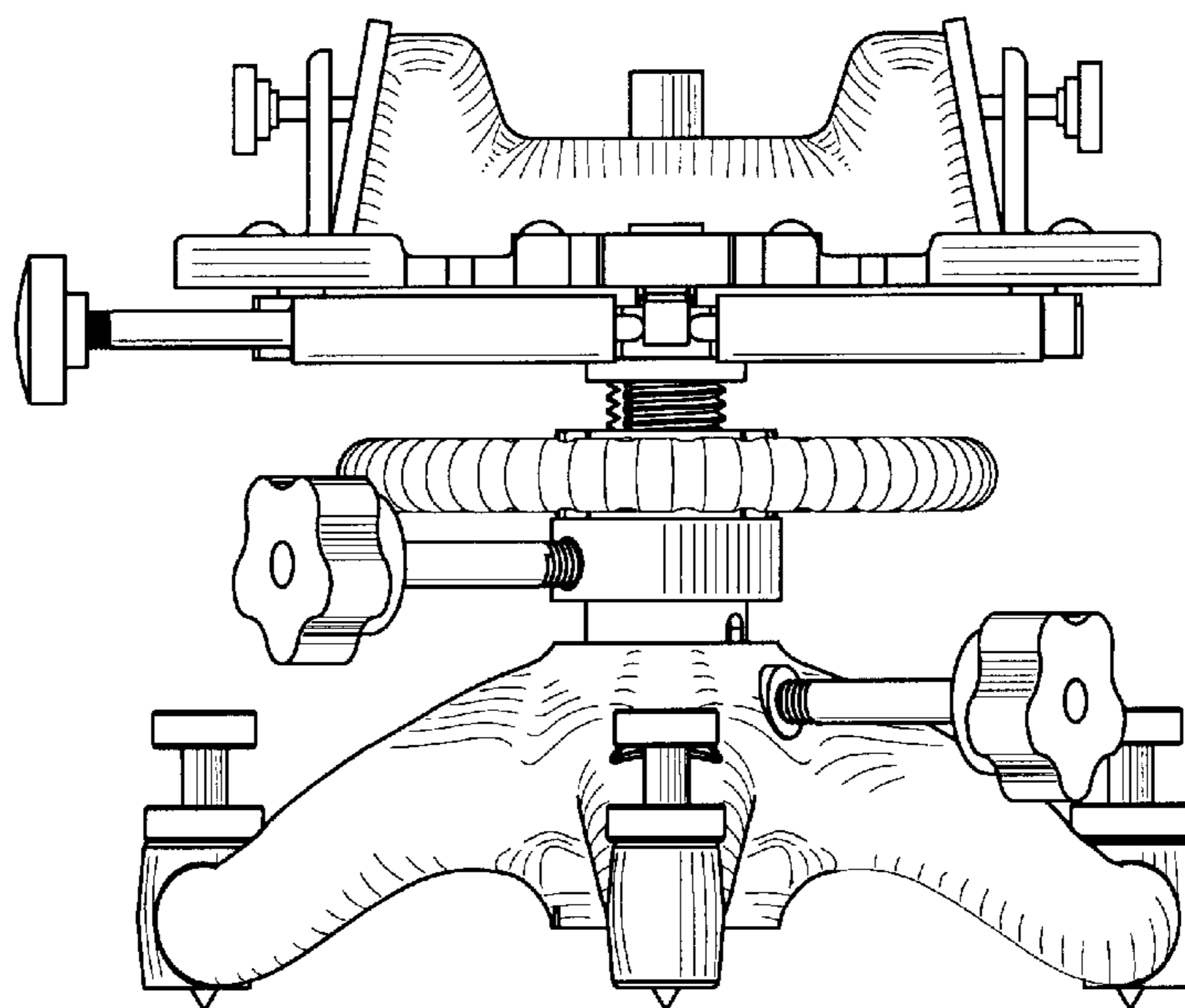


FIG. 7

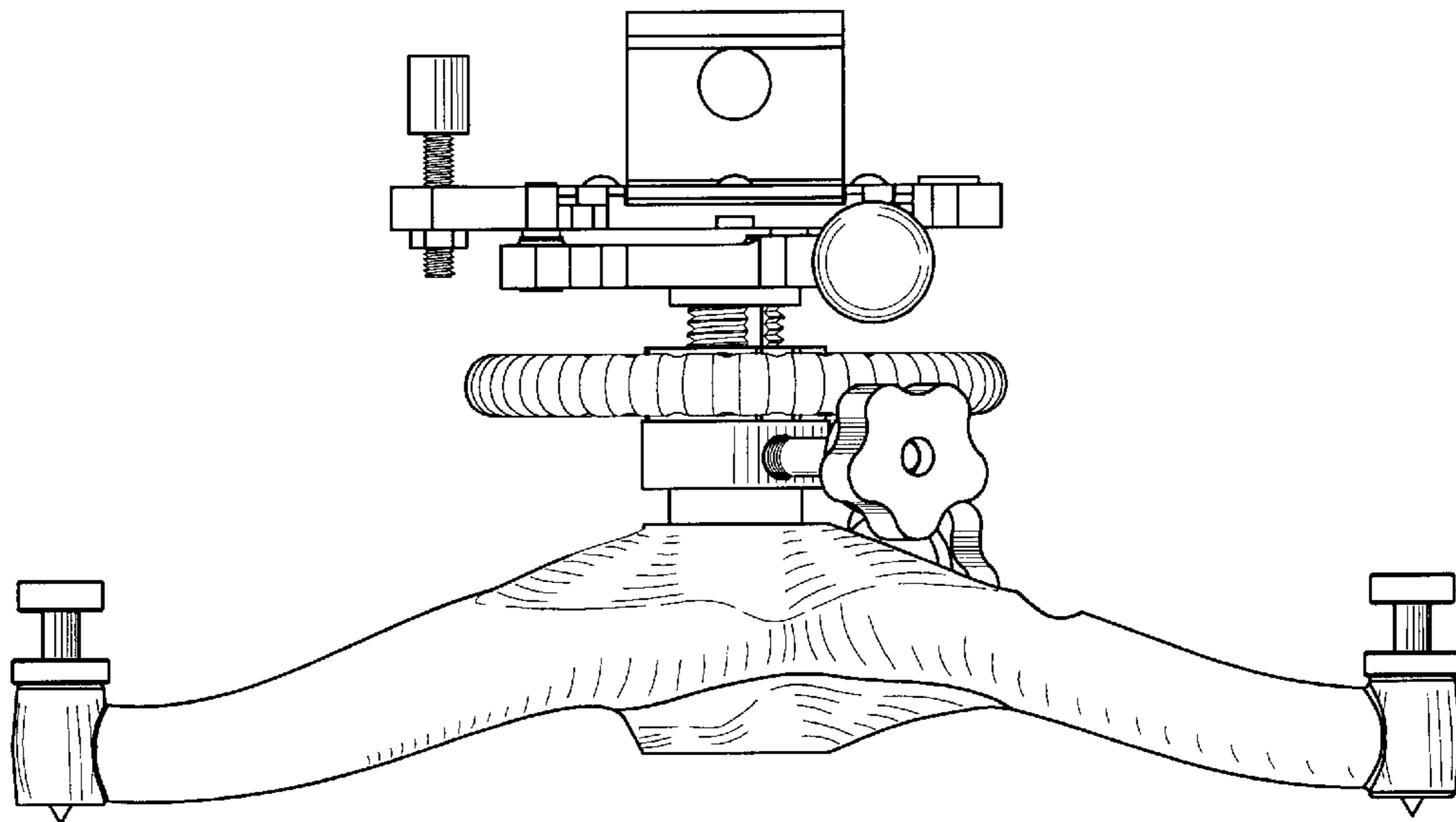


FIG. 8

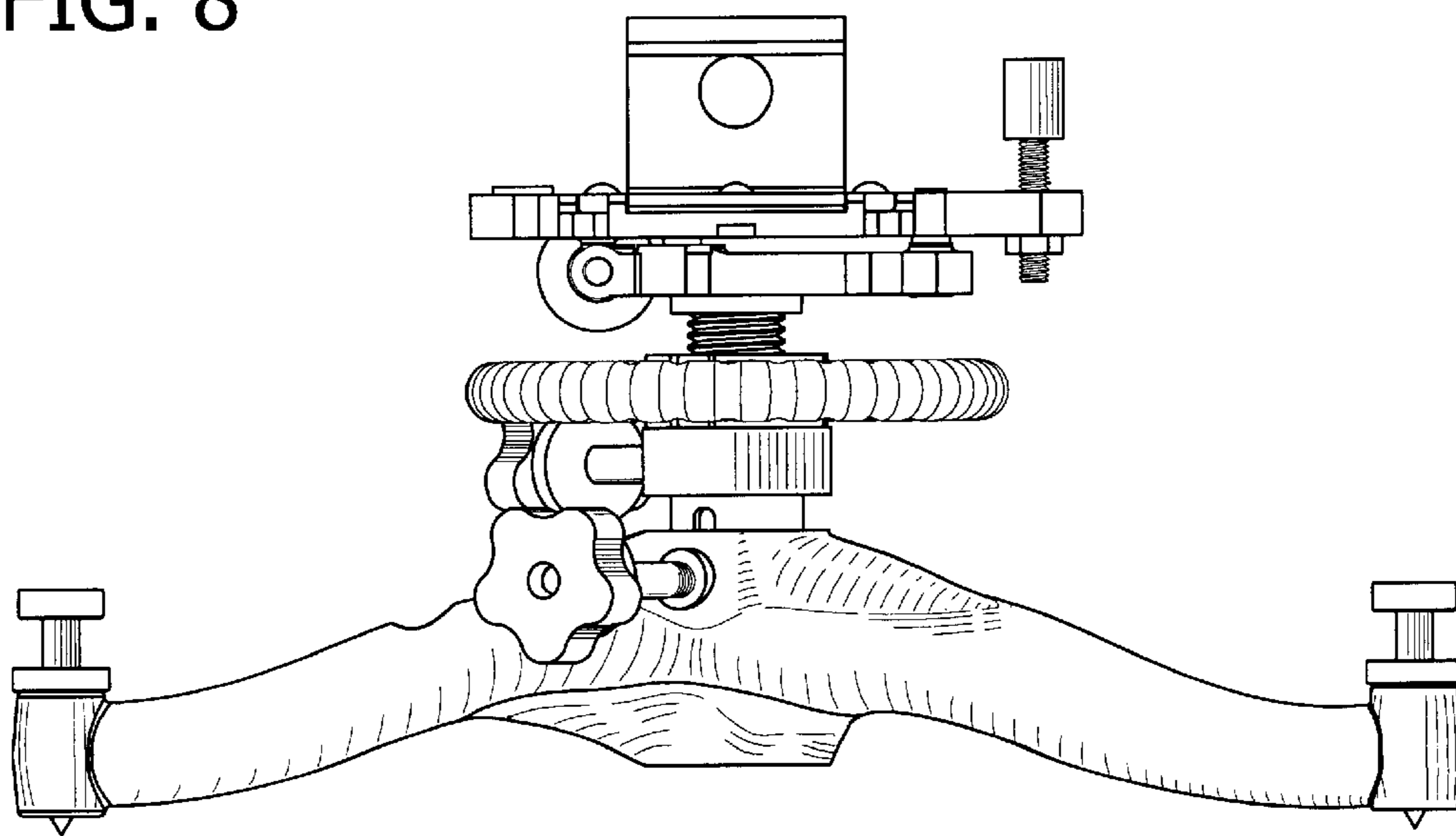


FIG. 9

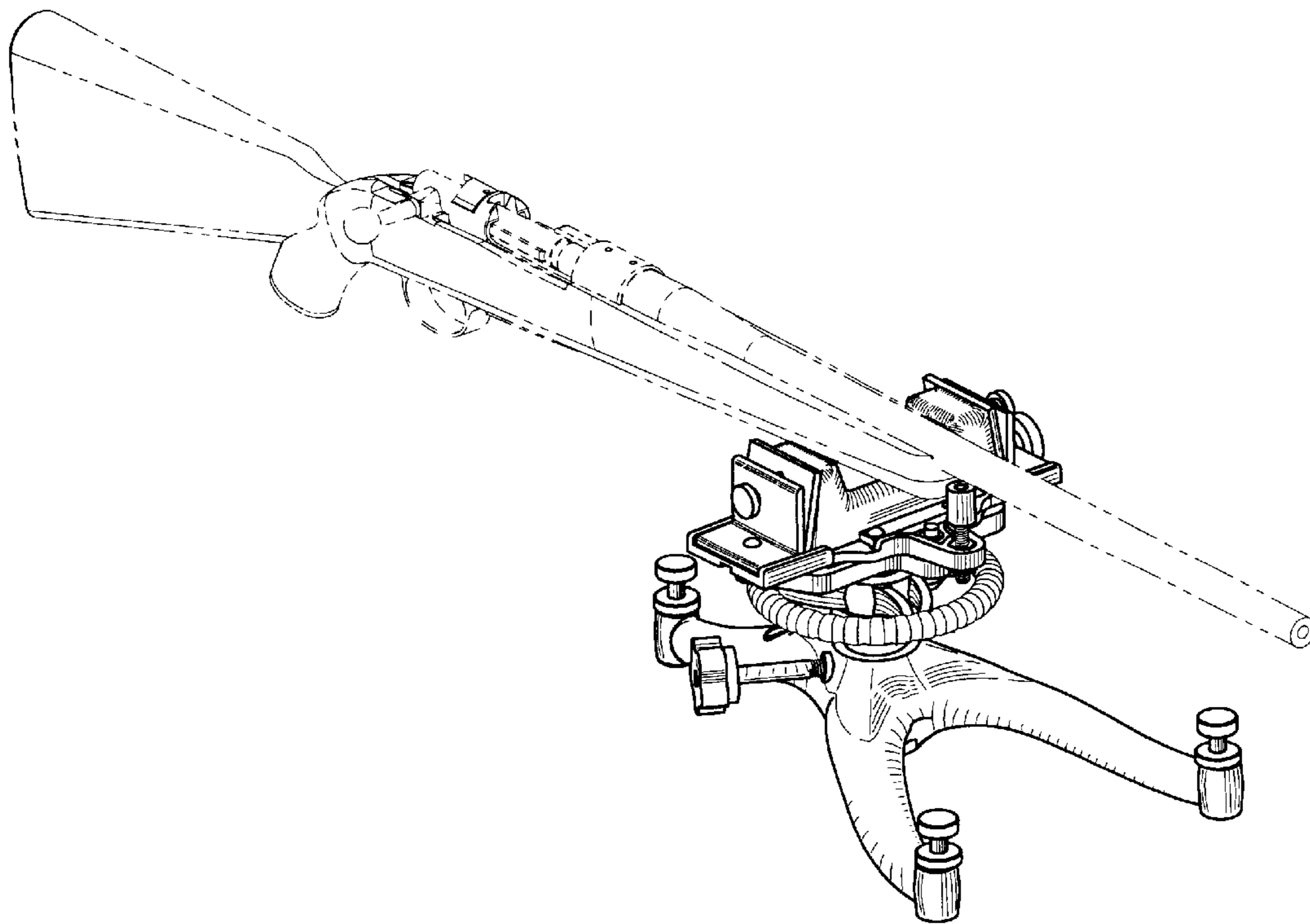


FIG. 10

