



US00D521099S

(12) **United States Design Patent**  
**Byrd et al.**

(10) **Patent No.:** **US D521,099 S**

(45) **Date of Patent:** **\*\* May 16, 2006**

(54) **PLAYGROUND CLIMBER**

(75) Inventors: **Daniel V. Byrd**, Ft. Payne, AL (US);  
**Brian Henry**, Ft. Payne, AL (US)

(73) Assignee: **Gametime, a division of Playcore Wisconsin, Inc.**, Fort Payne, AL (US)

(\*\*) Term: **14 Years**

(21) Appl. No.: **29/223,655**

(22) Filed: **Feb. 17, 2005**

(51) **LOC (8) Cl.** ..... **21-02**

(52) **U.S. Cl.** ..... **D21/827**

(58) **Field of Classification Search** ..... D21/811,  
D21/814, 818-827; 482/35-37  
See application file for complete search history.

(56) **References Cited**

**U.S. PATENT DOCUMENTS**

D340,274 S	*	10/1993	Gleeson et al.	.....	D21/826
D361,818 S	*	8/1995	Von Parrish	.....	D21/826
D418,189 S	*	12/1999	Zeilinger	.....	D21/826
D418,190 S	*	12/1999	McLane et al.	.....	D21/826
D419,633 S	*	1/2000	Sutton et al.	.....	D21/826
6,551,215 B1	*	4/2003	Gordon	.....	482/35

6,551,216 B1	*	4/2003	Rennex	.....	482/35
D493,504 S	*	7/2004	Byrd et al.	.....	D21/827
D495,392 S	*	8/2004	Byrd	.....	D21/827
D496,088 S	*	9/2004	Byrd	.....	D21/827
D496,423 S	*	9/2004	Byrd	.....	D21/827
6,849,031 B1	*	2/2005	Paci	.....	482/37

\* cited by examiner

*Primary Examiner*—Mitchell Siegel

(74) *Attorney, Agent, or Firm*—Welsh & Katz, Ltd.

(57) **CLAIM**

The ornamental design for a playground climber, as shown and described.

**DESCRIPTION**

FIG. 1 is a perspective view of the playground climber design;

FIG. 2 is a front elevational view thereof;

FIG. 3 is a rear elevational view thereof;

FIG. 4 is a left side elevational view thereof;

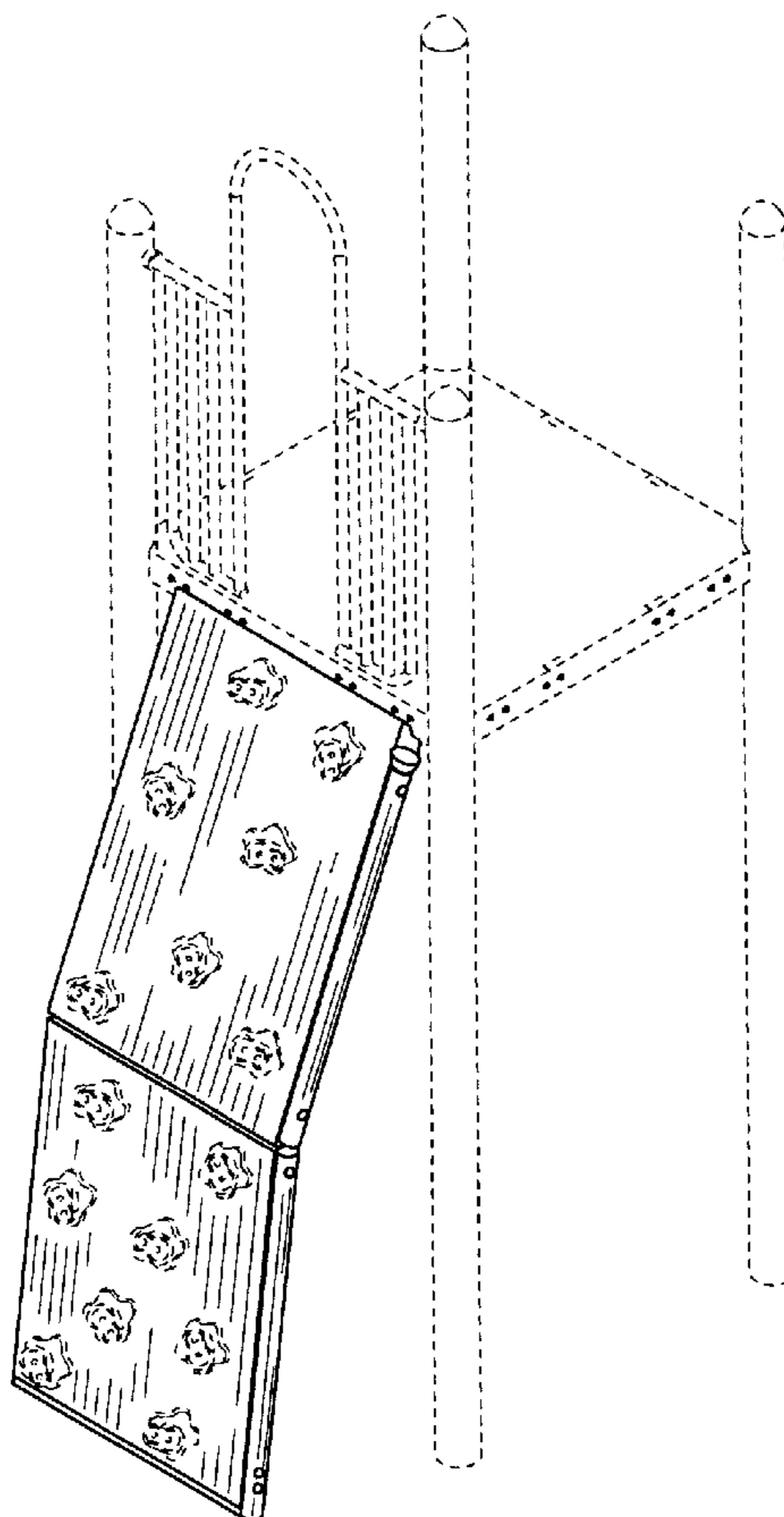
FIG. 5 is a right side elevational view thereof;

FIG. 6 is a top view thereof; and,

FIG. 7 is a bottom view thereof.

The phantom line showing of environment is for illustrative purposes only.

**1 Claim, 7 Drawing Sheets**



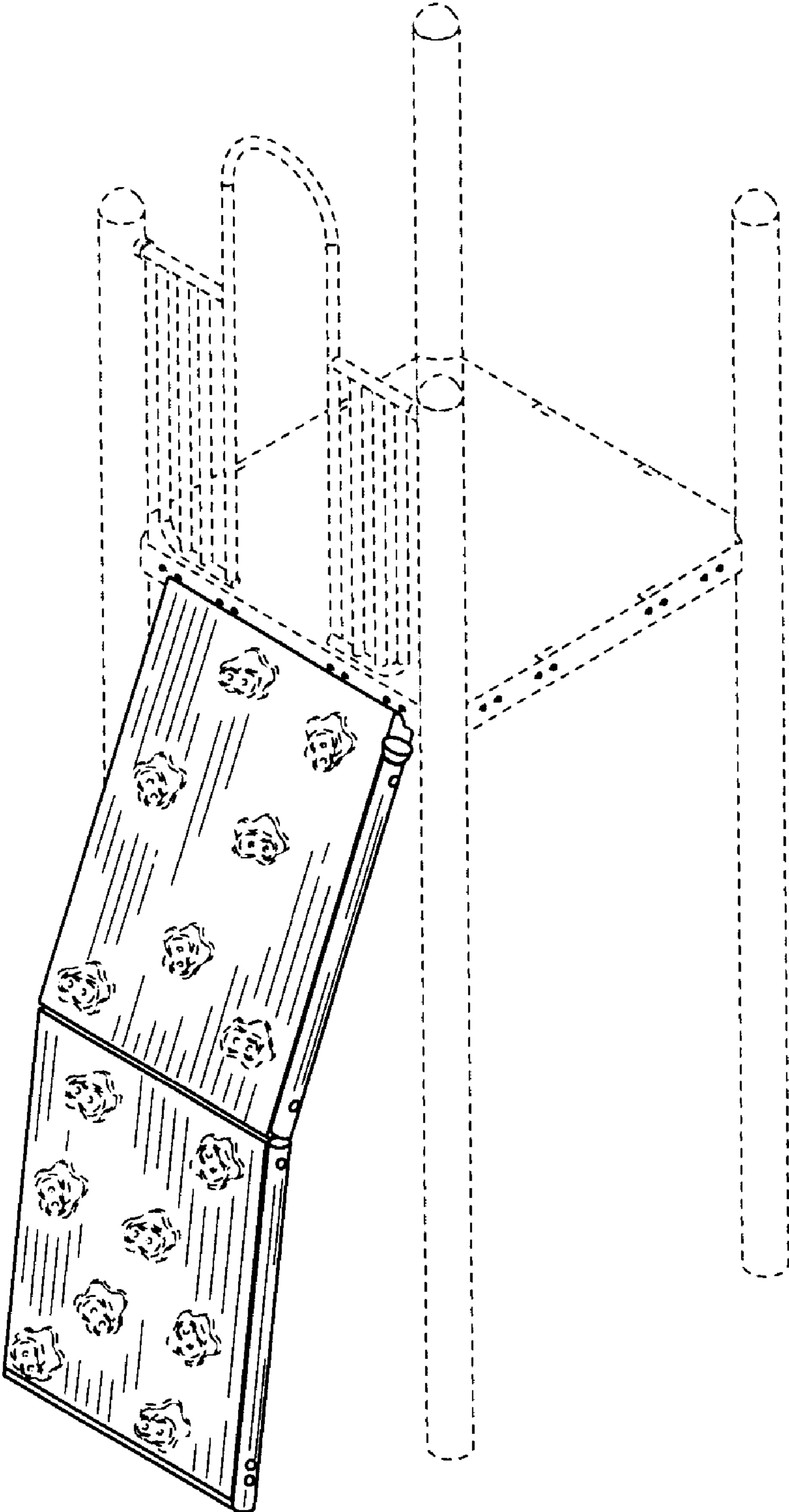


FIG. 1

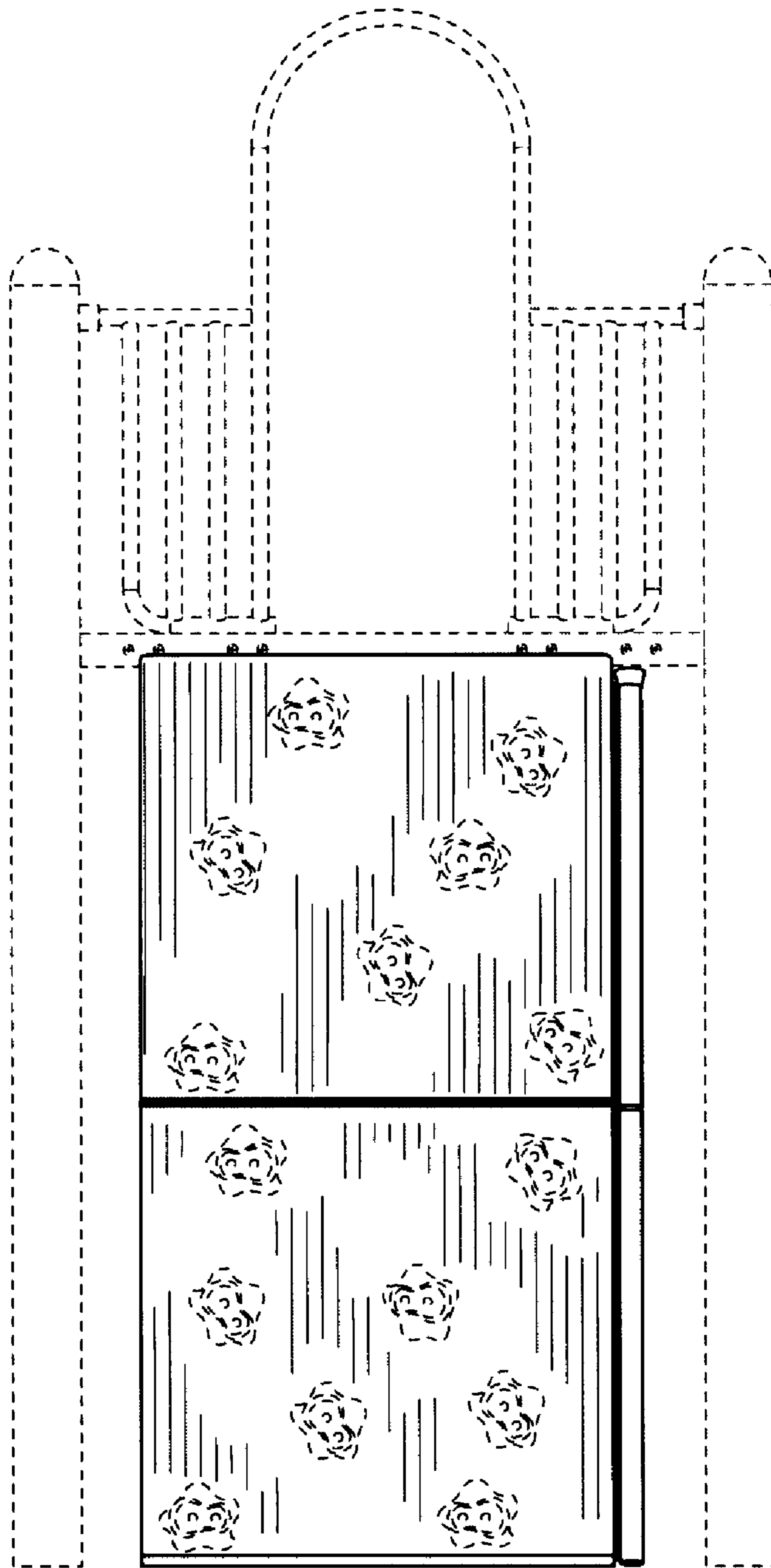


FIG. 2

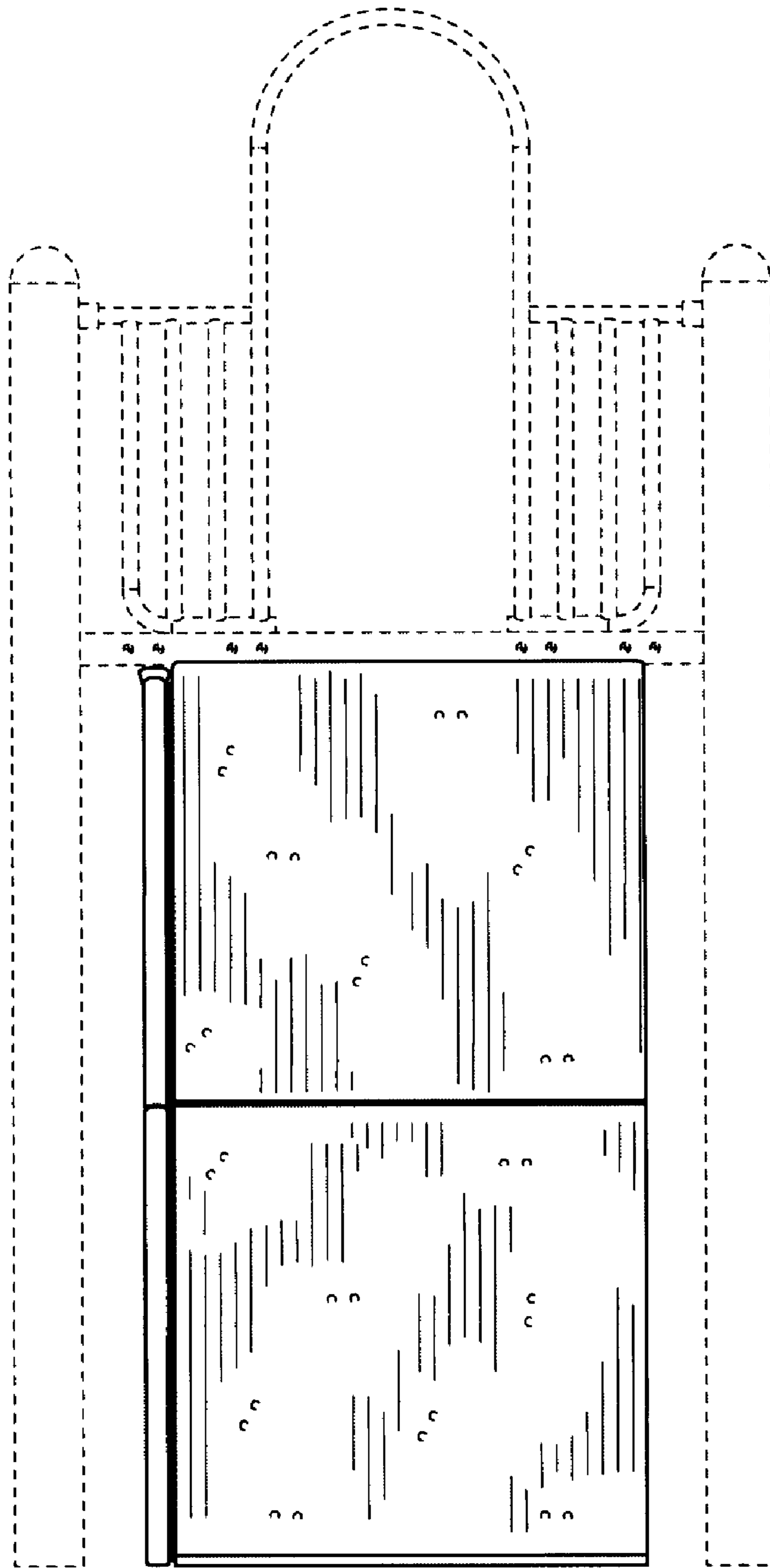


FIG. 3

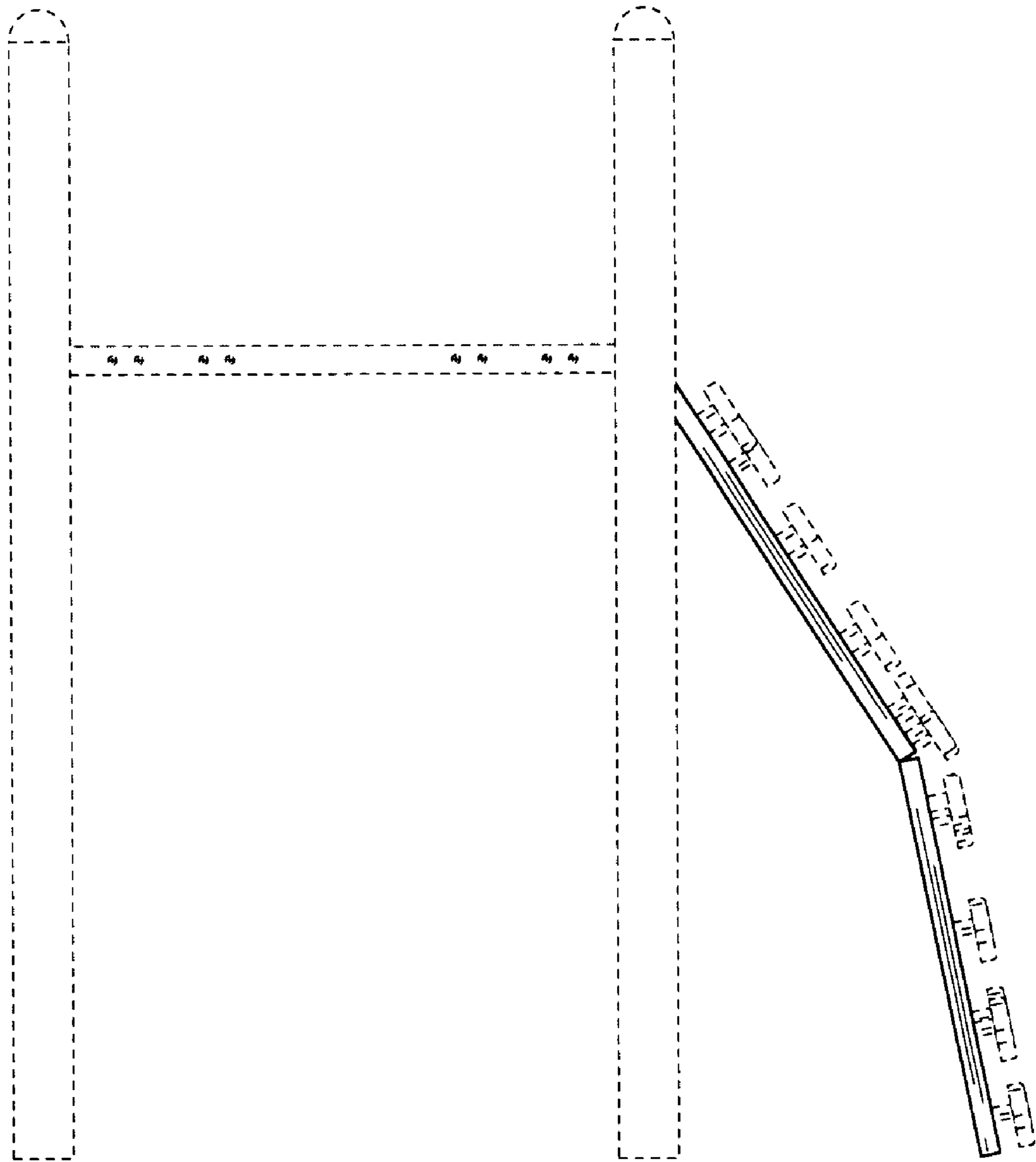


FIG. 4

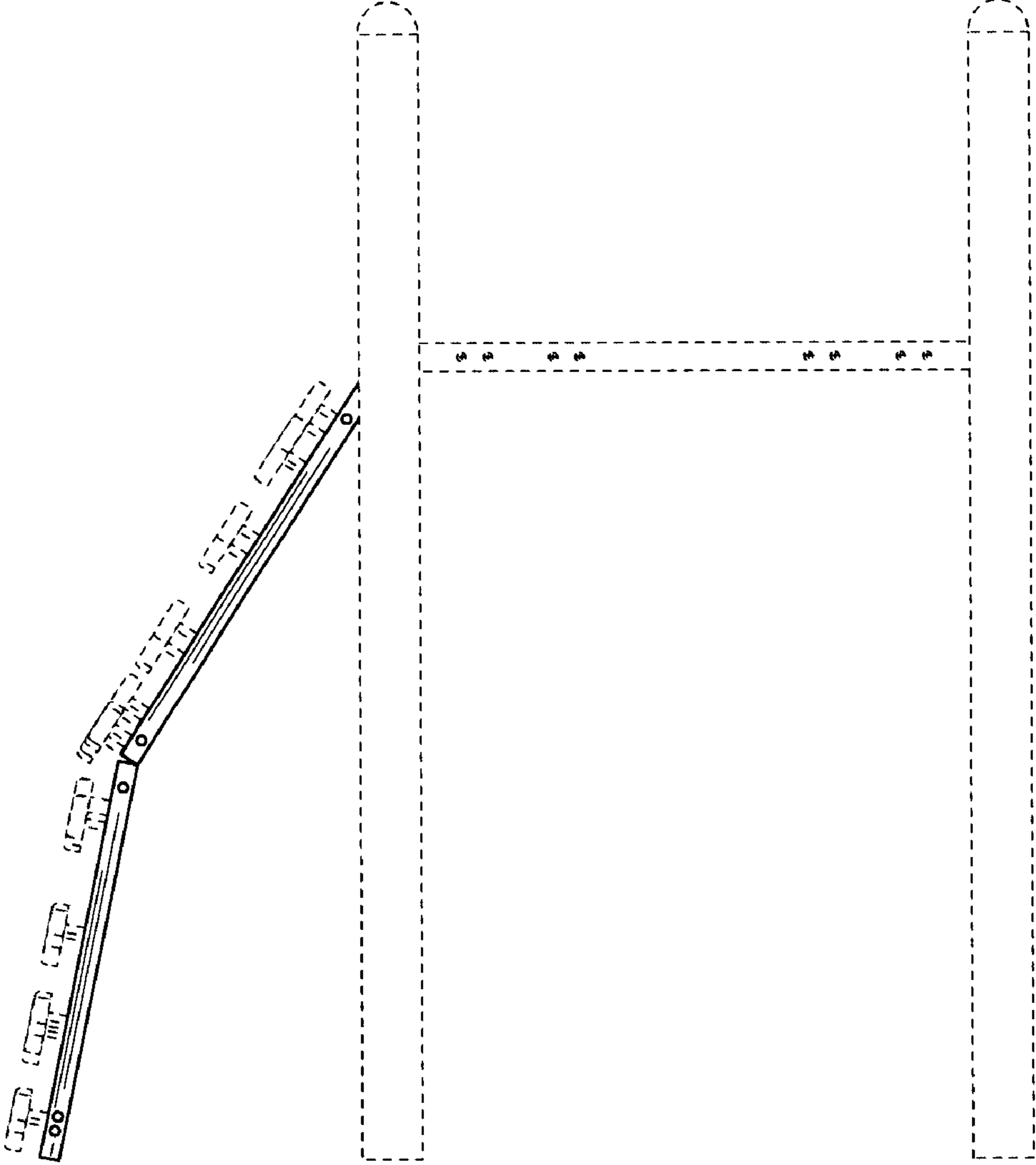
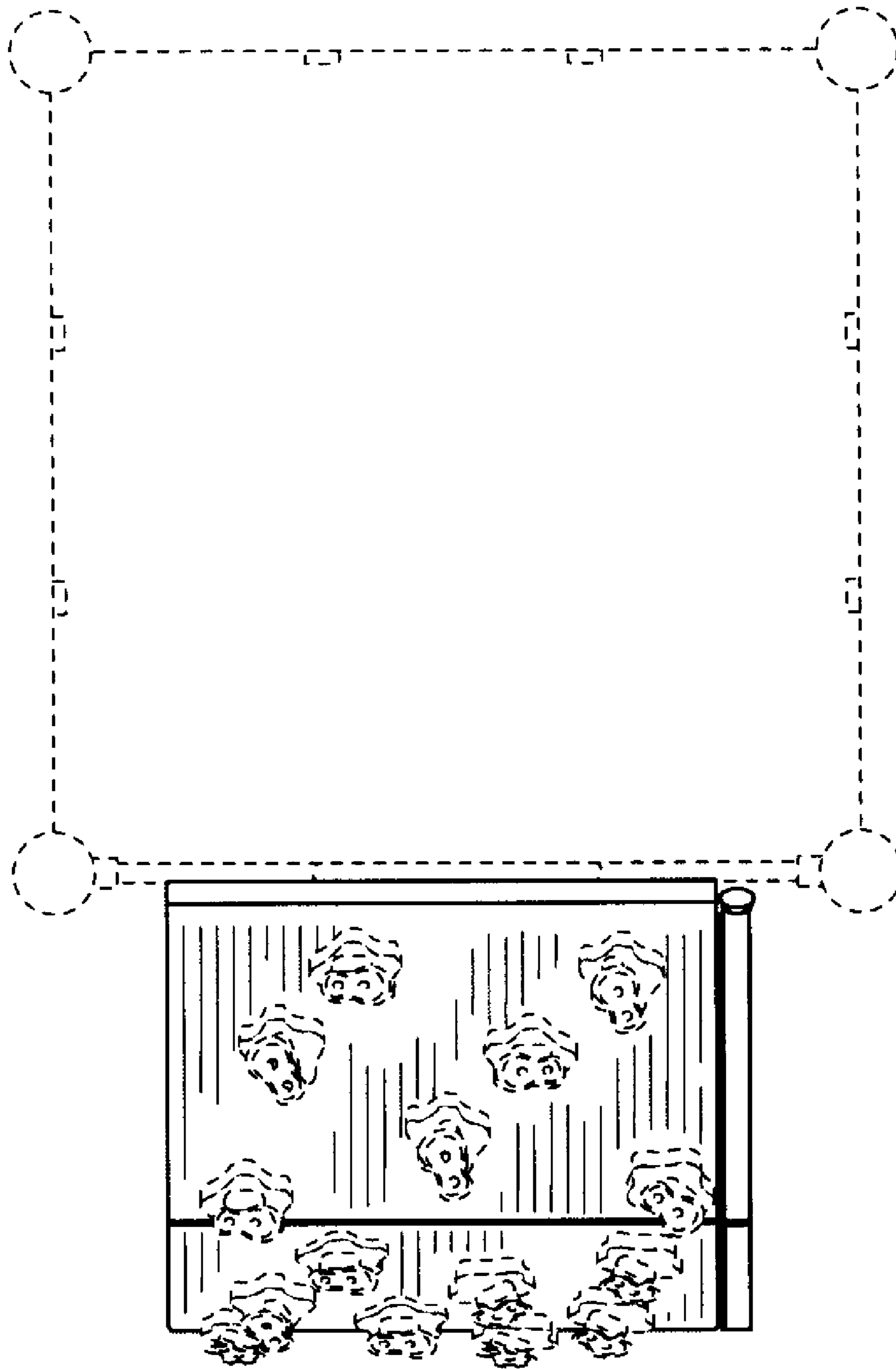
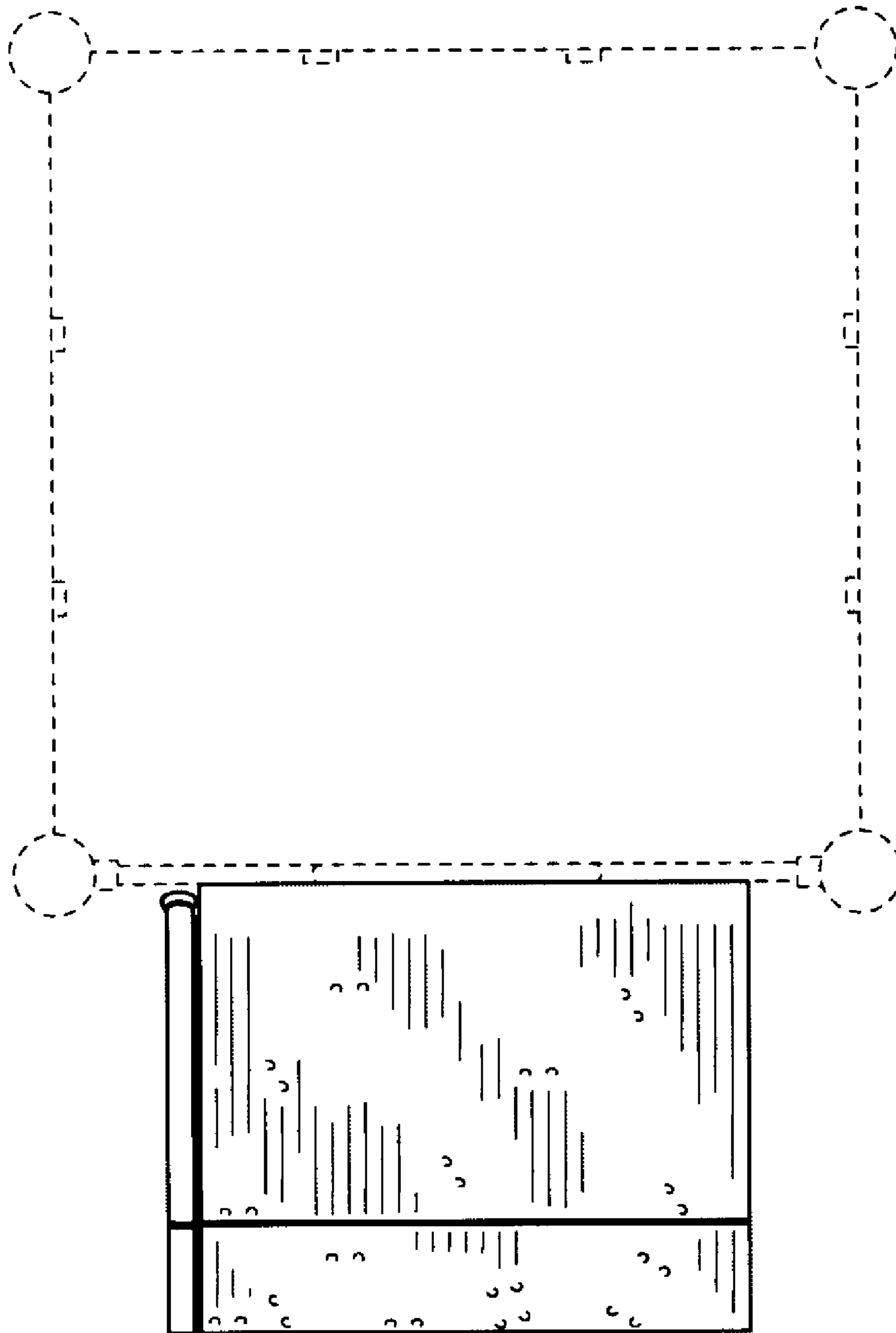


FIG. 5



**FIG. 6**



**FIG. 7**