



US00D521098S

(12) **United States Design Patent**
Hunter

(10) **Patent No.:** **US D521,098 S**

(45) **Date of Patent:** **** May 16, 2006**

(54) **WATER BOWL RIDE EXIT FLUME**

(75) Inventor: **Richard D. Hunter**, Ottawa (CA)

(73) Assignee: **ProSlide Technology Inc.**, Ontario (CA)

(**) Term: **14 Years**

(21) Appl. No.: **29/181,436**

(22) Filed: **May 9, 2003**

(51) **LOC (8) Cl.** **21-03**

(52) **U.S. Cl.** **D21/819**

(58) **Field of Classification Search** D21/818-821;
472/116, 117, 13, 40
See application file for complete search history.

(56) **References Cited**

U.S. PATENT DOCUMENTS

920,567	A	*	5/1909	Hayes	472/40
D256,827	S	*	9/1980	Allen, 3rd	D21/819
D256,828	S	*	9/1980	Allen, 3rd	D21/819
D256,940	S	*	9/1980	Allen, 3rd	D21/819
4,836,521	A	*	6/1989	Barber	472/13
6,354,955	B1	*	3/2002	Stuart et al.	472/117
6,485,372	B1	*	11/2002	Stuart et al.	472/117
6,857,964	B1	*	2/2005	Hunter	472/116

OTHER PUBLICATIONS

<http://www.proslide.com>*

* cited by examiner

Primary Examiner—Mitchell Siegel

(74) *Attorney, Agent, or Firm*—Barnes & Thornburg LLP

(57) **CLAIM**

The ornamental design for a water bowl ride exit flume, as shown and described.

DESCRIPTION

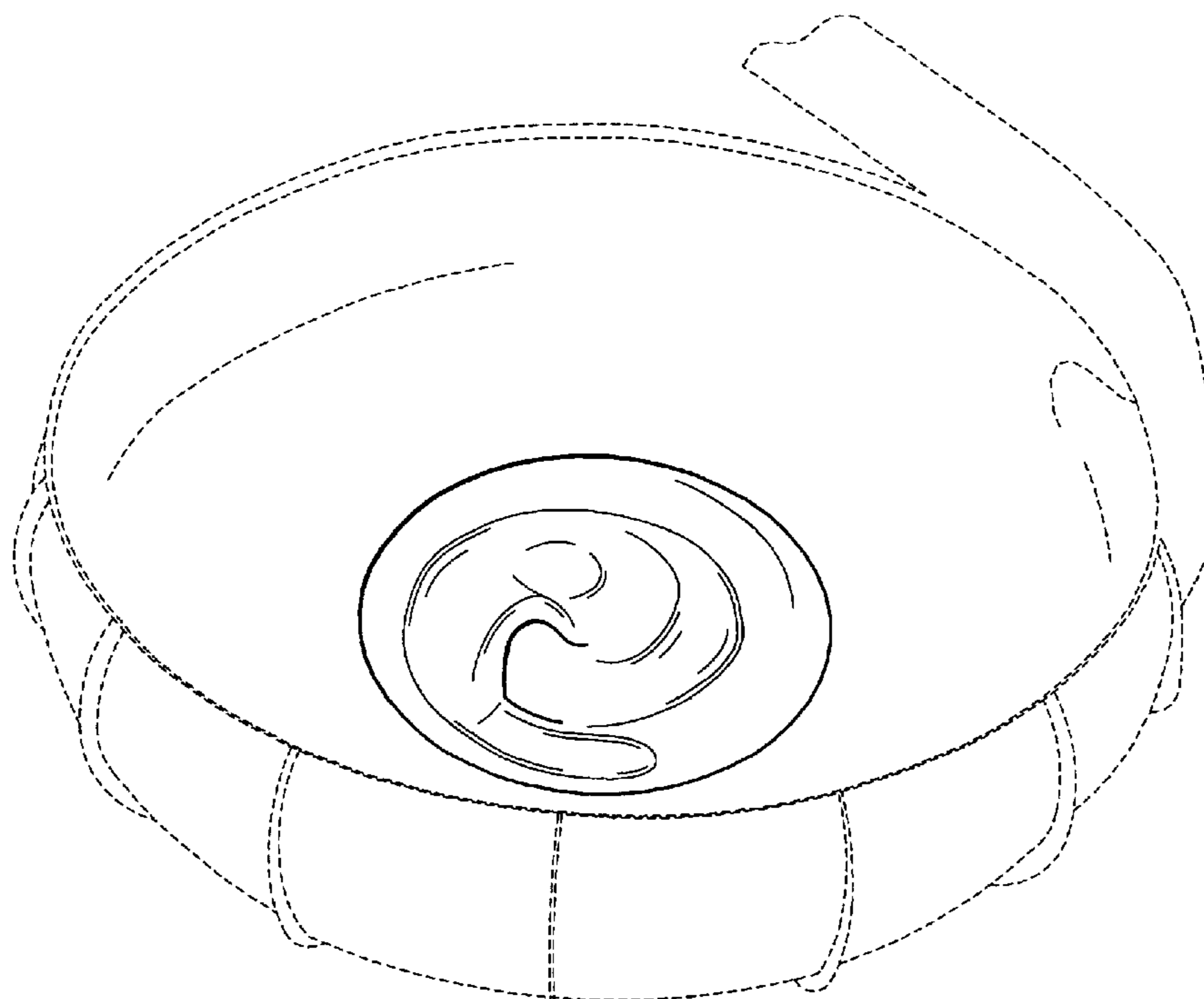
FIG. 1 is an isometric view of a water bowl ride exit flume having features in accordance with the present invention, the associated water bowl ride being shown in phantom view for illustrative purposes only;

FIG. 2 is a top plan view of the water bowl ride exit flume of FIG. 1 having features in accordance with the present invention, the associated water bowl ride being shown in phantom view for illustrative purposes only;

FIG. 3 is a front side elevational view of the water bowl ride exit flume of FIG. 1 having features in accordance with the present invention, the associated water bowl ride being shown in phantom view for illustrative purposes only; and,

FIG. 4 is a right side elevation view of the water bowl ride exit flume of FIG. 1 having features in accordance with the present invention, the associated water bowl ride being shown in phantom view for illustrative purposes only.

1 Claim, 3 Drawing Sheets



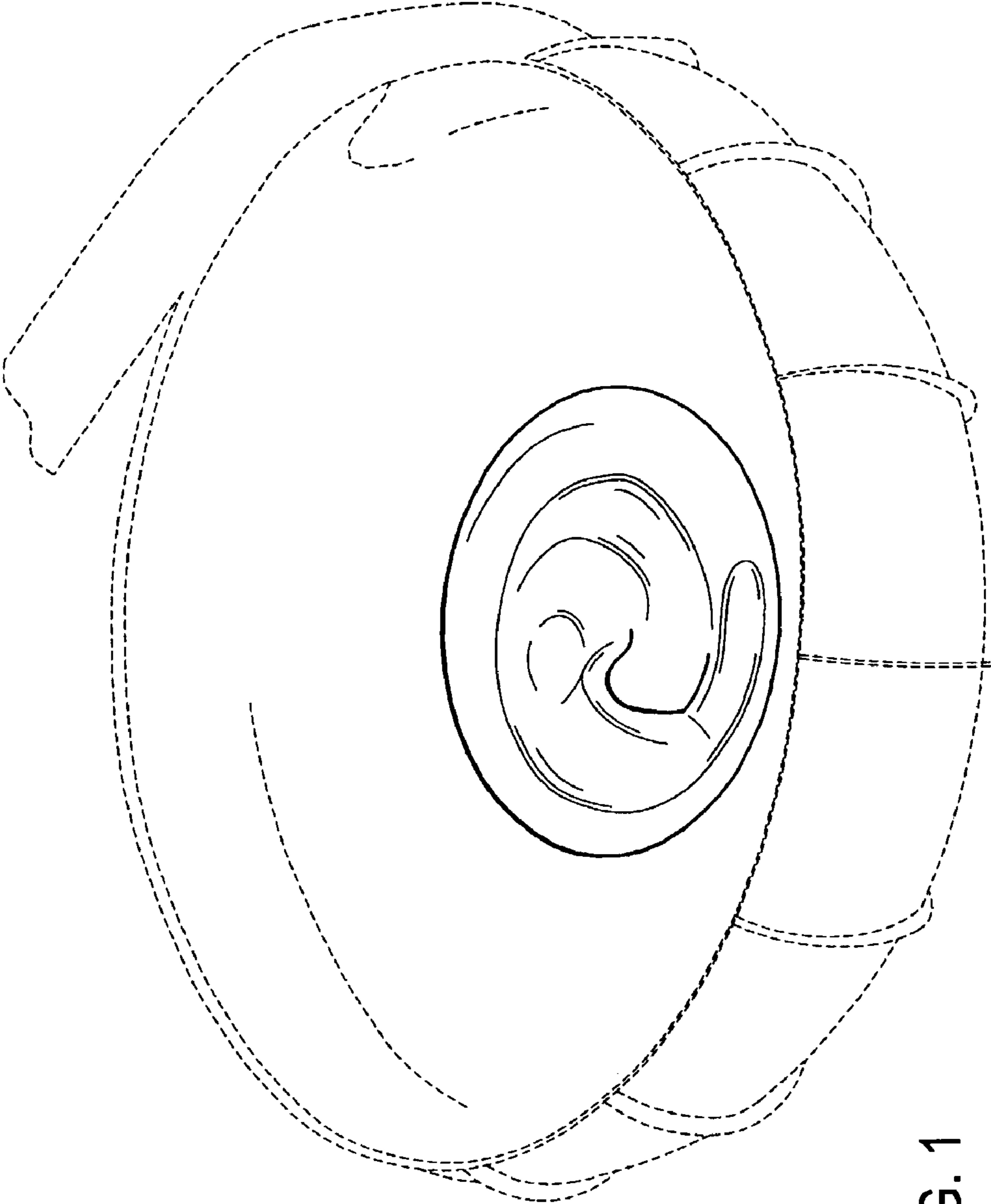


FIG. 1

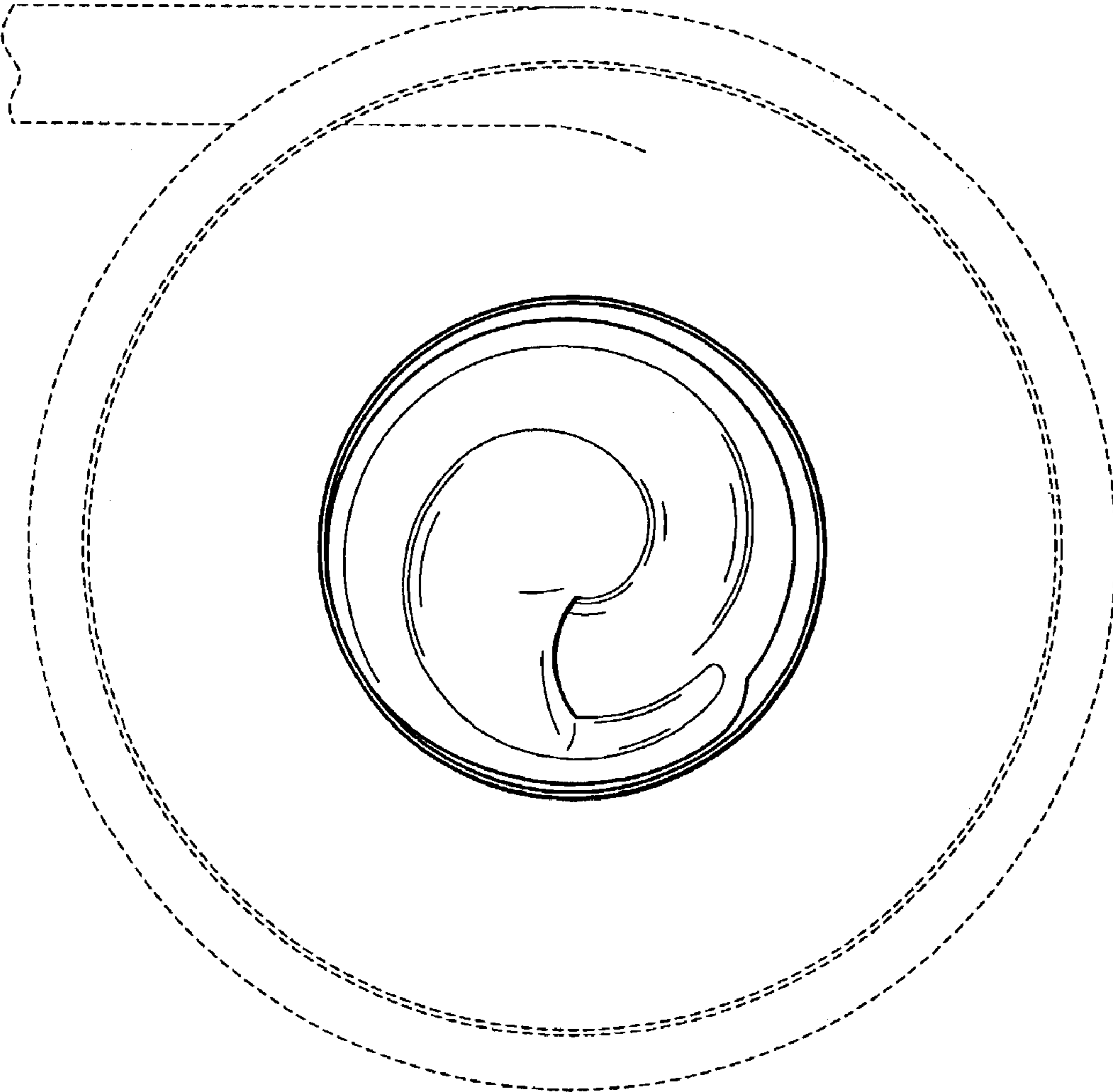


FIG. 2

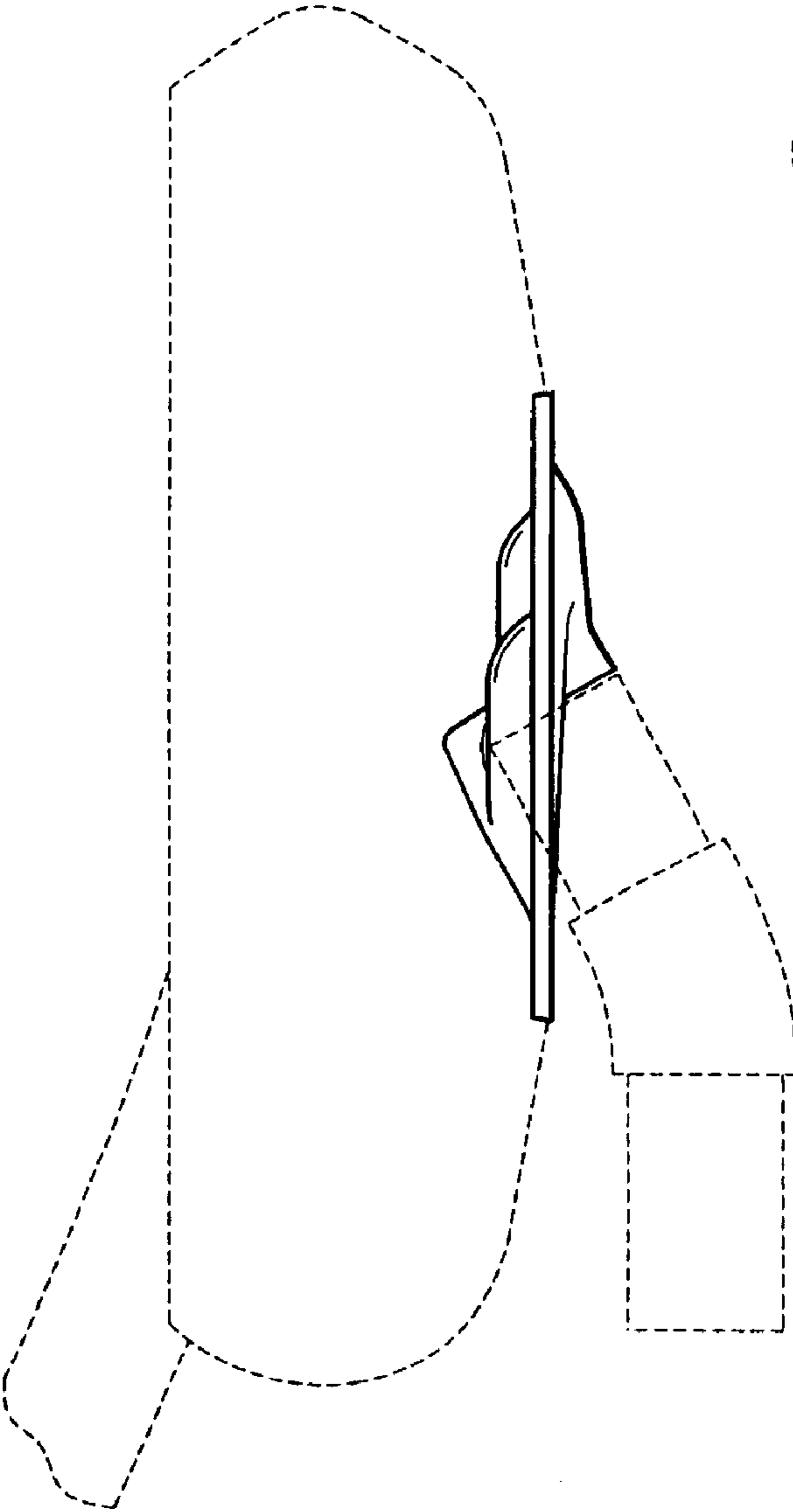


FIG. 3

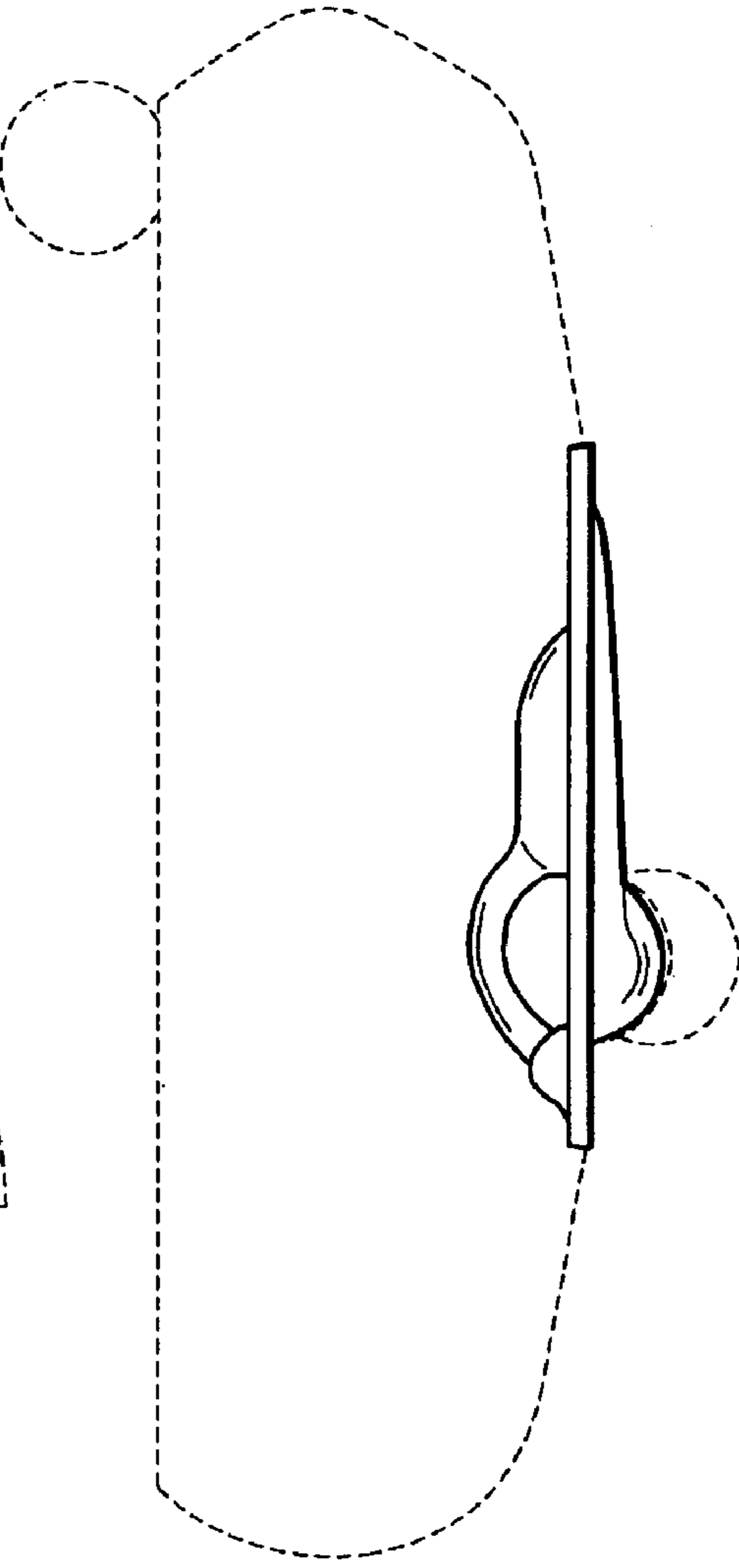


FIG. 4