

US00D521093S

(12) **United States Design Patent**
Jorgensen et al.

(10) **Patent No.:** **US D521,093 S**

(45) **Date of Patent:** **** May 16, 2006**

(54) **SOLE PORTION OF A CLUB HEAD**

(75) Inventors: **Douglas C. Jorgensen**, San Diego, CA (US); **Jeffrey W. Meyer**, Fallbrook, CA (US); **Stephen S. Murphy**, Carlsbad, CA (US); **Eddie G. Perez**, Carlsbad, CA (US); **Raymond L. Poynor**, Oceanside, CA (US)

(73) Assignee: **Acushnet Company**, Fairhaven, MA (US)

(**) Term: **14 Years**

(21) Appl. No.: **29/218,860**

(22) Filed: **Dec. 8, 2004**

(51) **LOC (8) Cl.** **21-02**

(52) **U.S. Cl.** **D21/759**

(58) **Field of Classification Search** D21/733,
D21/752, 759; 473/324–331, 343–346
See application file for complete search history.

(56) **References Cited**

U.S. PATENT DOCUMENTS

D350,176 S 8/1994 Antonious
D357,290 S 4/1995 Viollaz et al.
D363,750 S 10/1995 Reed

D402,726 S 12/1998 McCabe et al. D21/753
D418,888 S 1/2000 Williams, Jr. D21/752
D425,953 S 5/2000 Glod D21/759
D437,018 S 1/2001 Leysock D21/752
6,332,848 B1 12/2001 Long et al. 473/328
D461,513 S 8/2002 Madore et al. D21/733
D462,101 S 8/2002 Debenon D21/752
D469,141 S 1/2003 Poynor et al. D21/759
D489,425 S 5/2004 Rice et al. D21/759

Primary Examiner—Mitchell Siegel

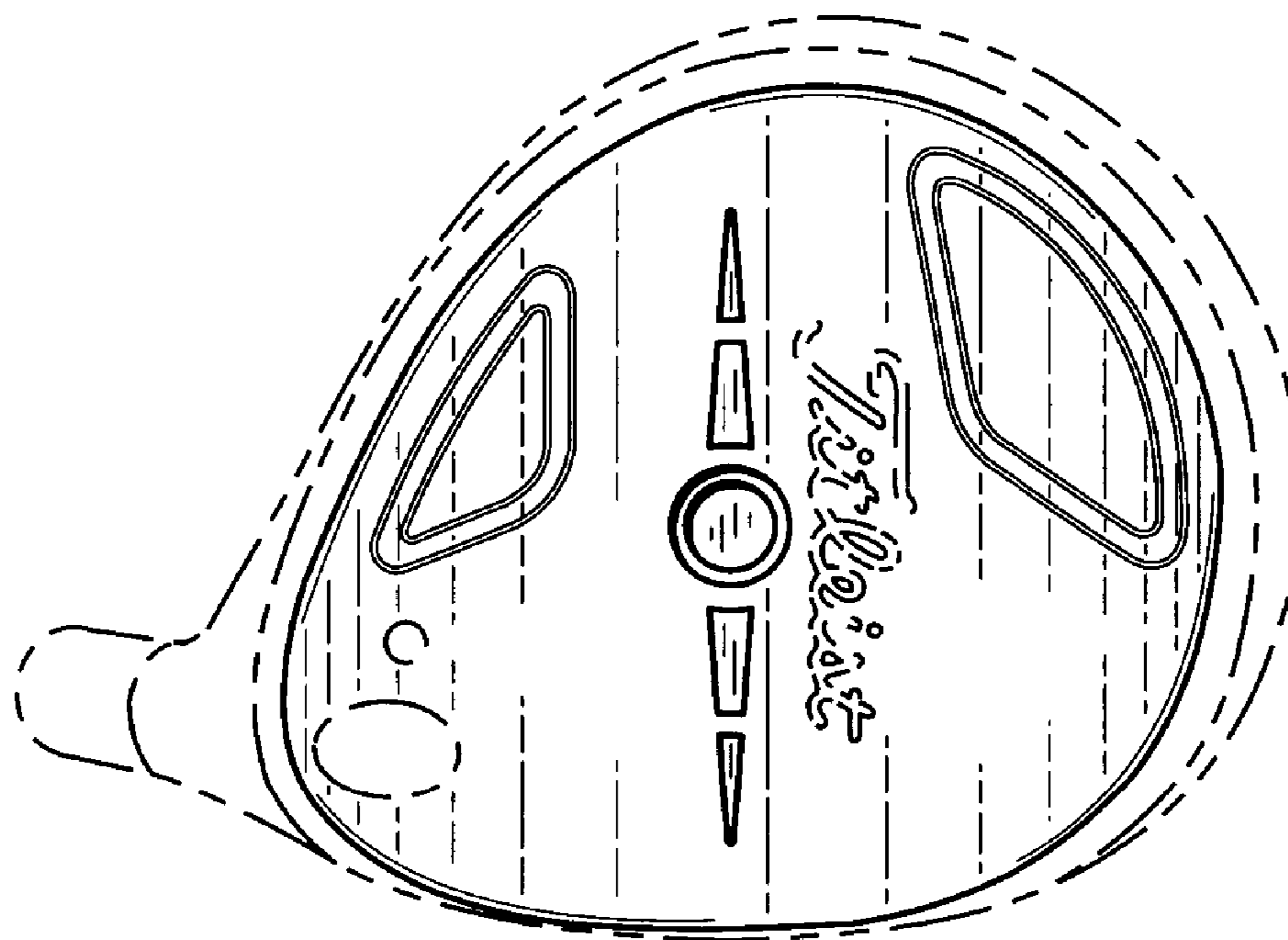
(57) **CLAIM**

The ornamental design for a sole portion of a club head, as shown and described.

DESCRIPTION

FIG. 1 is a perspective view of our new design for a sole portion of a club head;
FIG. 2 is a front view thereof;
FIG. 3 is a bottom view thereof;
FIG. 4 is a heel side view thereof;
FIG. 5 is a back view thereof; and,
FIG. 6 is a toe side view thereof.
The portion of the club head shown by the dotted lines is not part of the sole design and does not form any portion of the present invention.

1 Claim, 2 Drawing Sheets



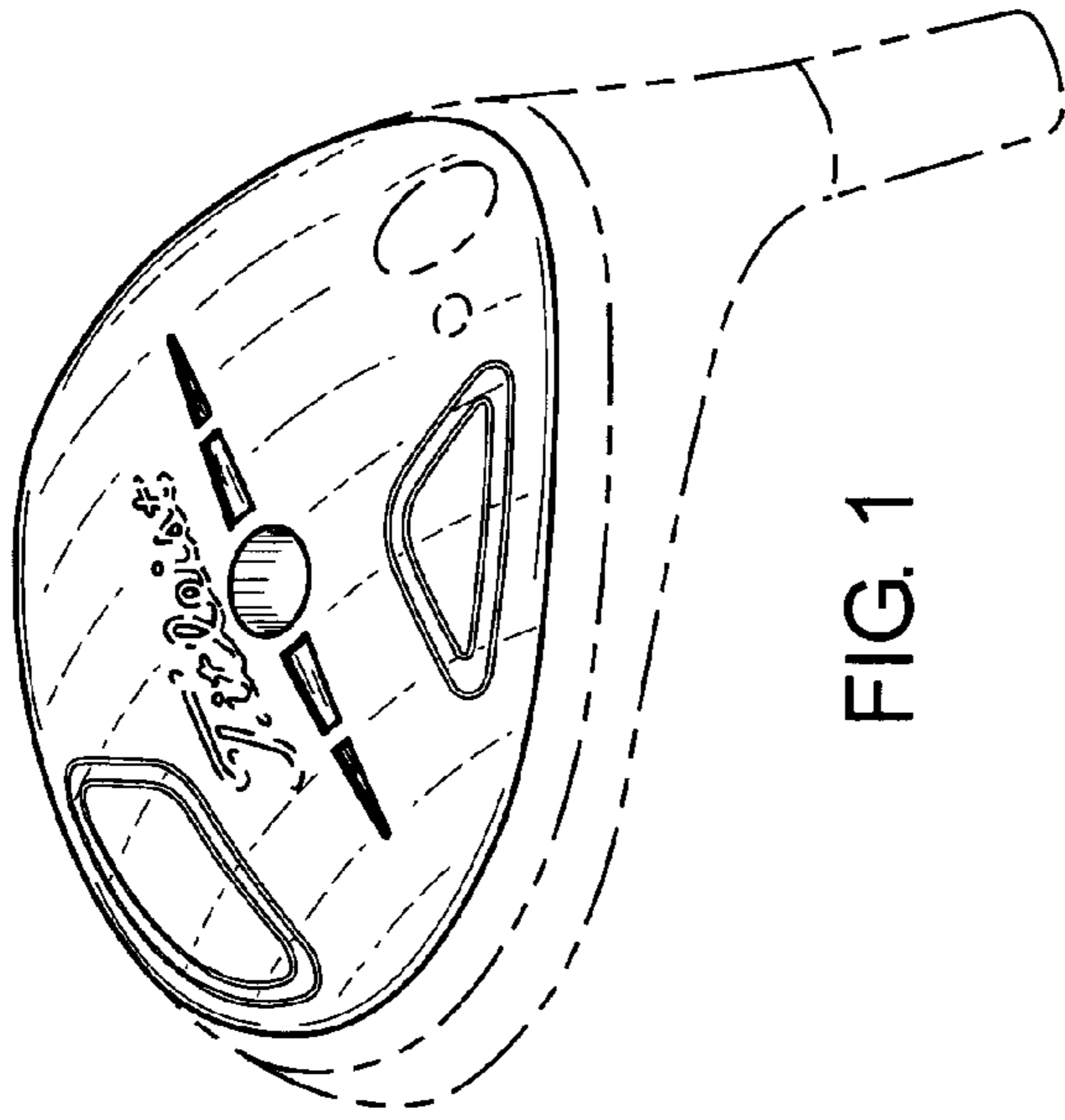


FIG. 1

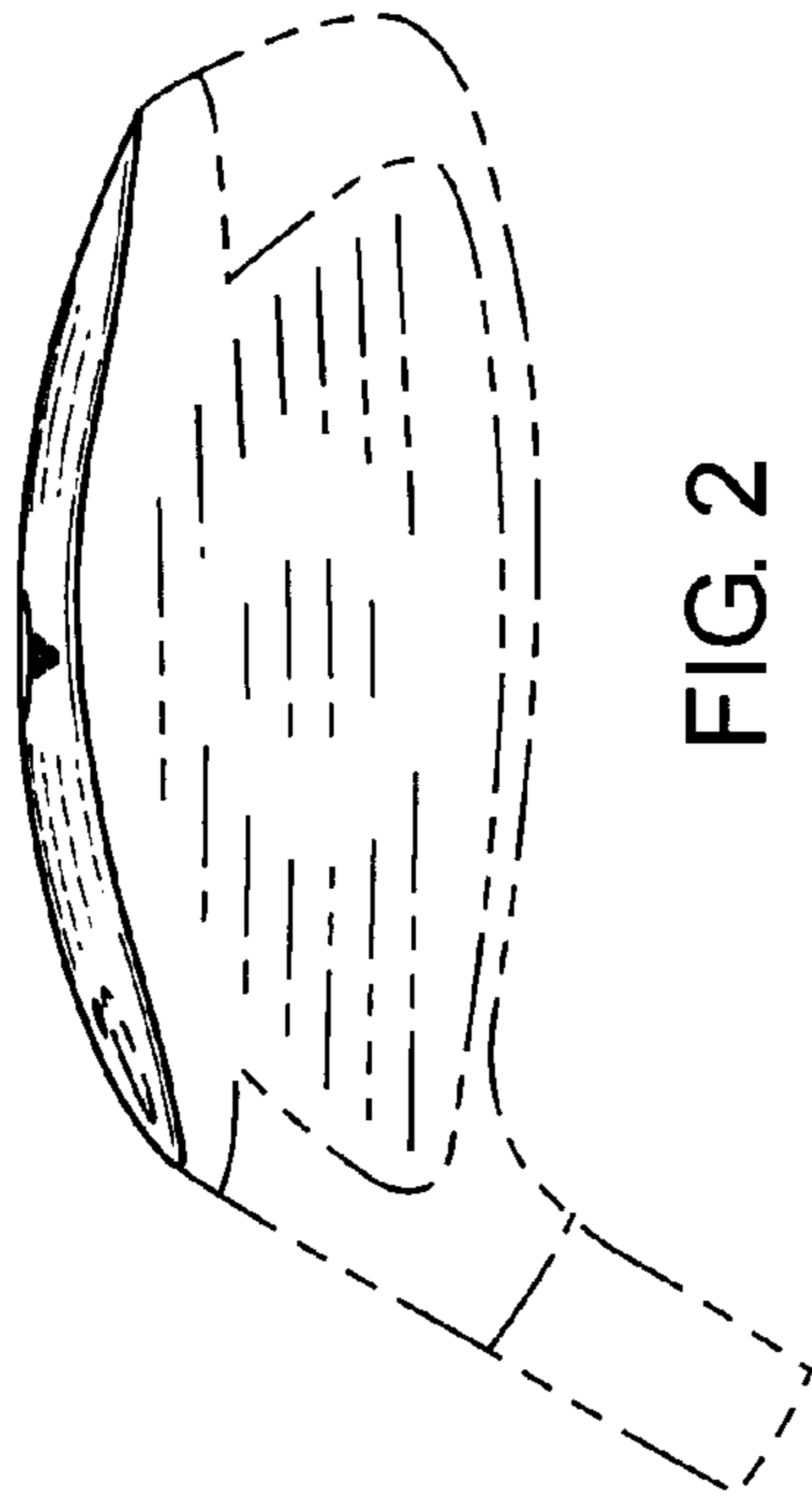


FIG. 2

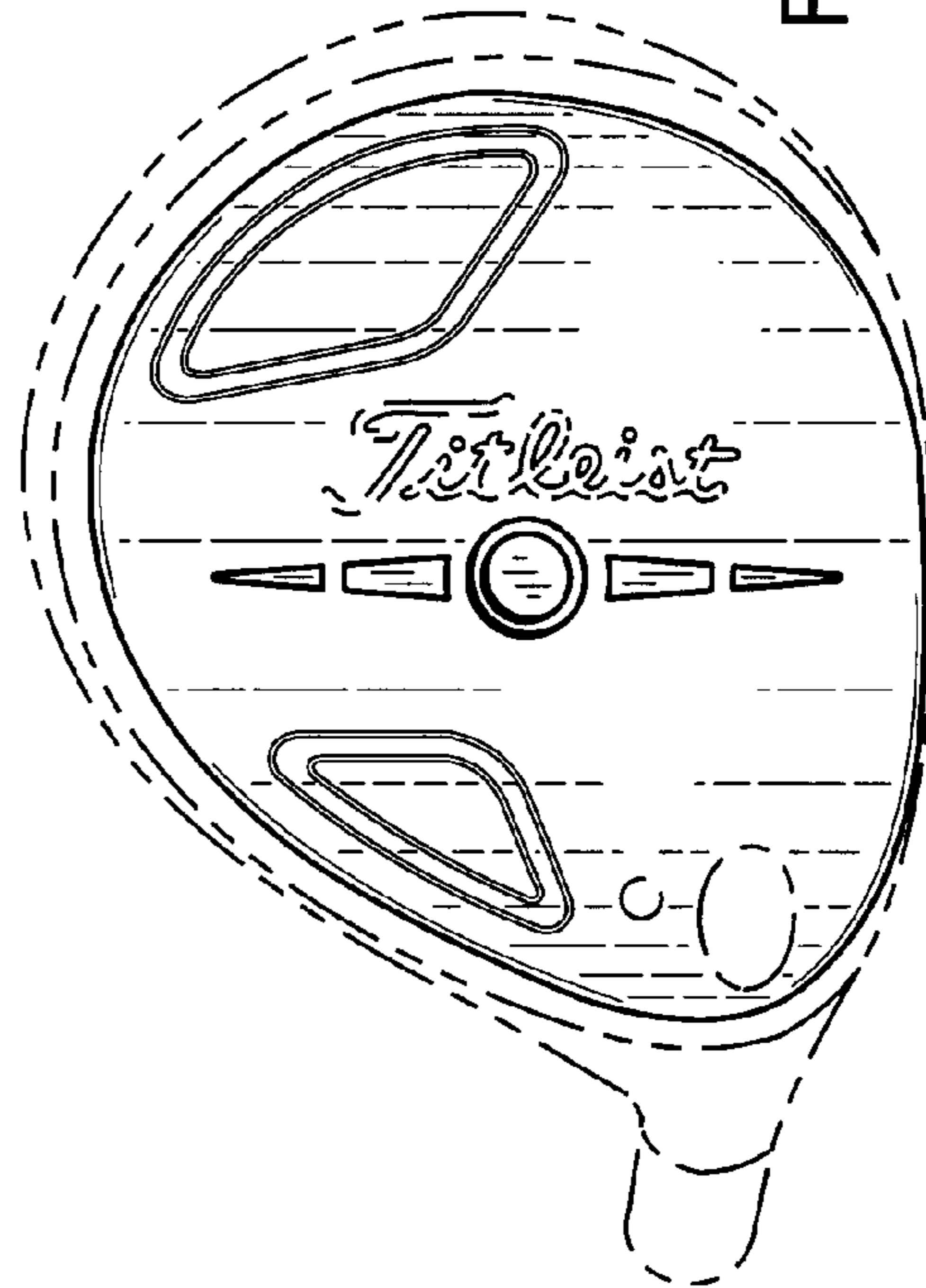


FIG. 3

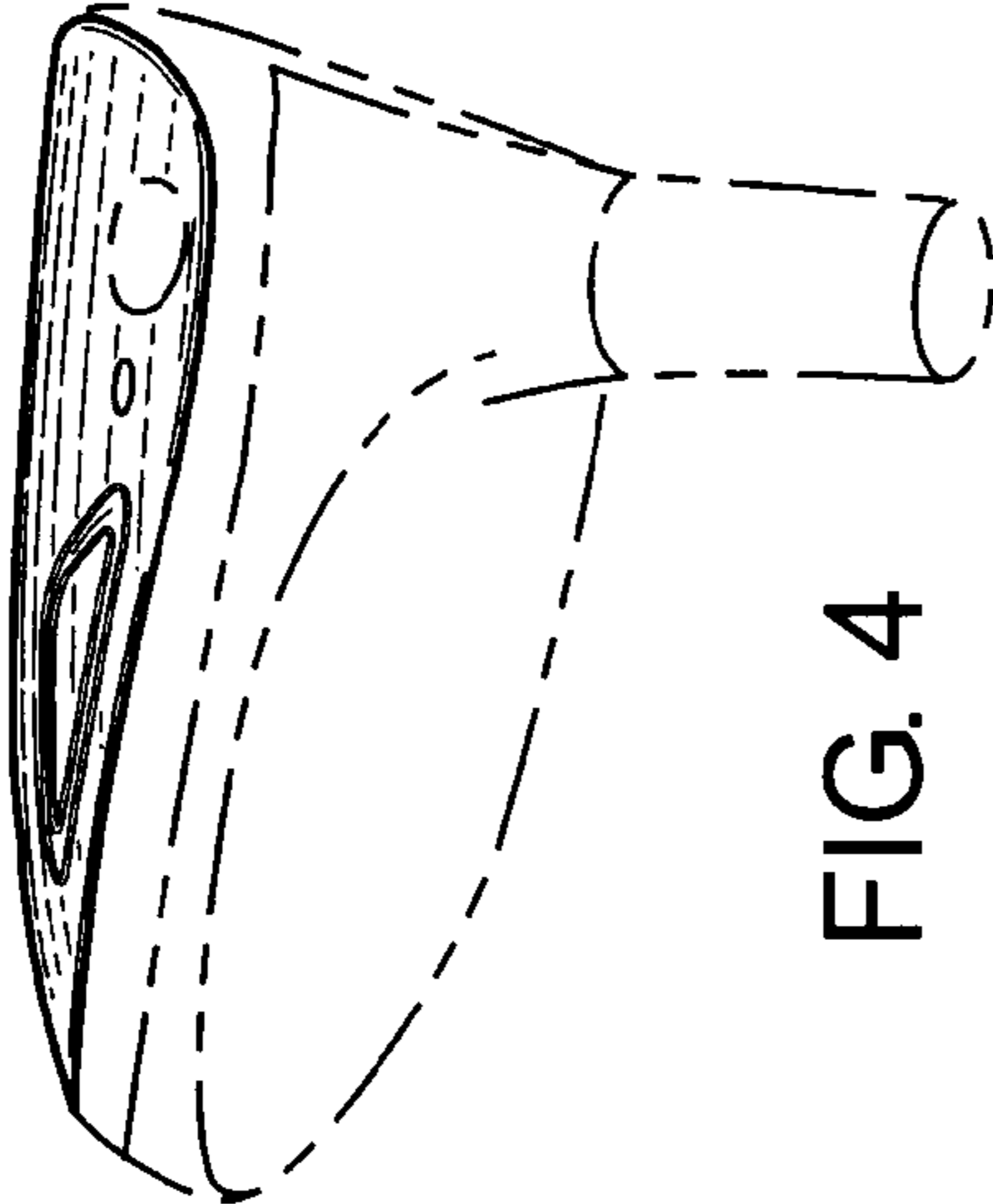


FIG. 4

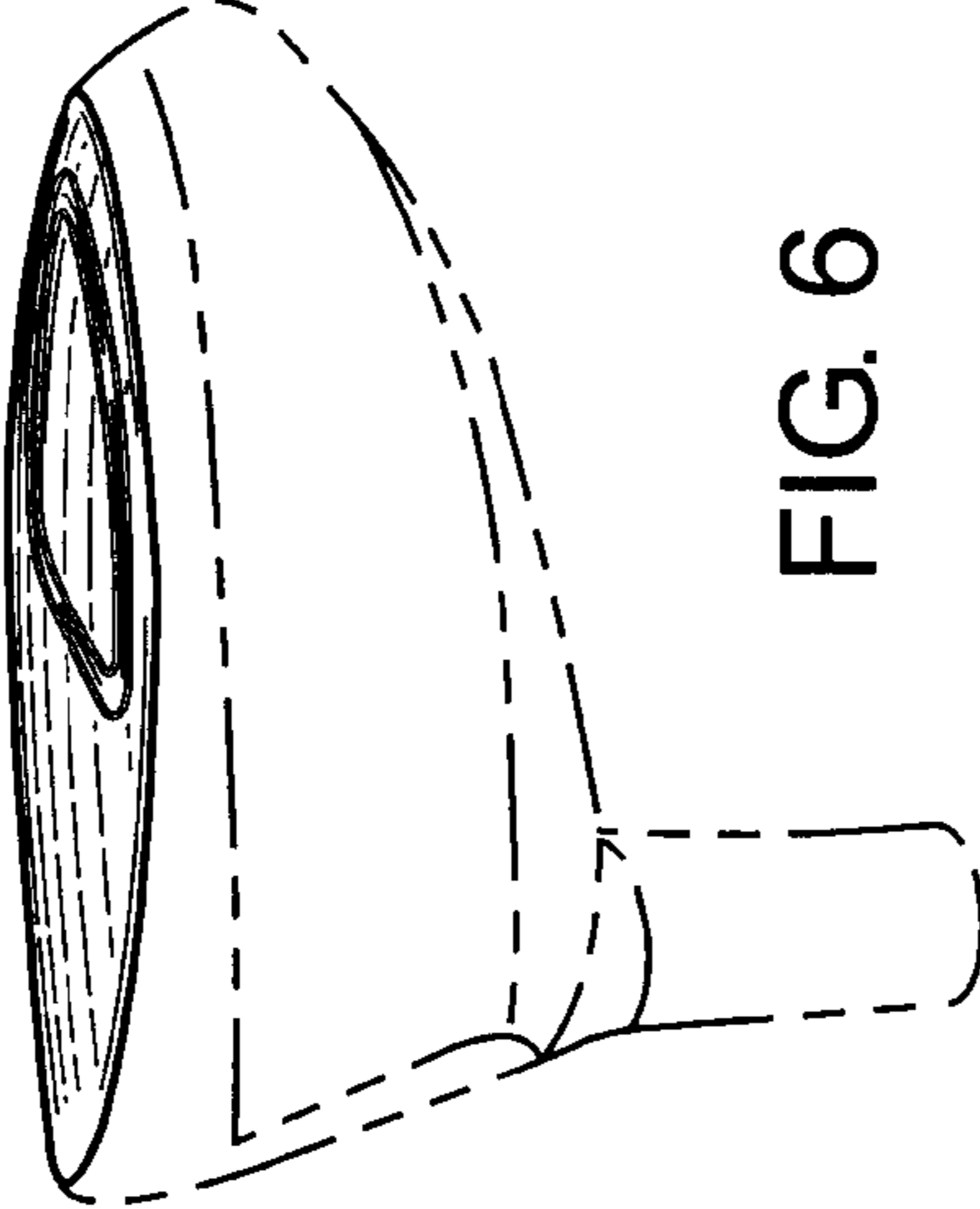


FIG. 6

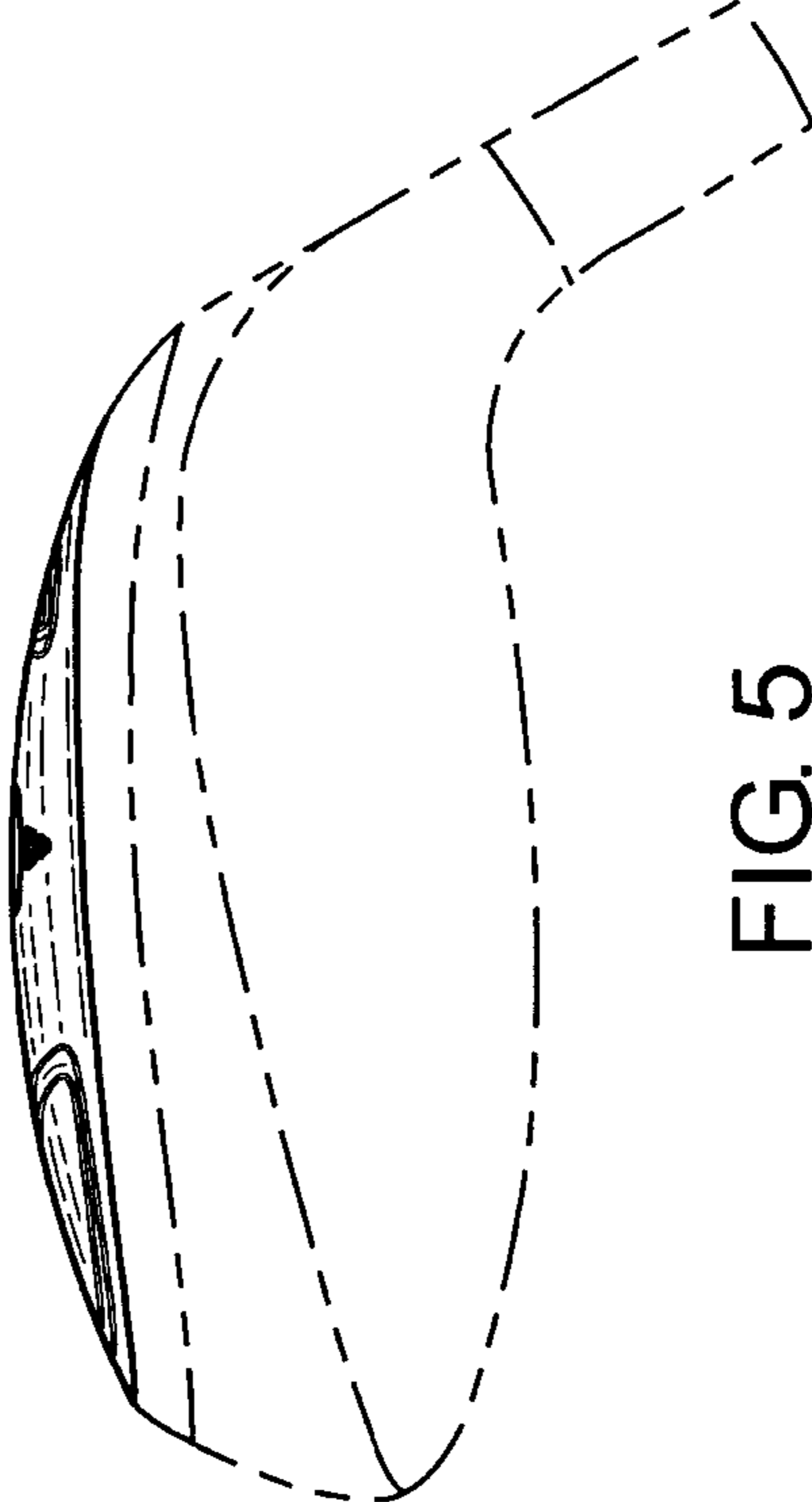


FIG. 5