



US00D521092S

(12) **United States Design Patent** (10) **Patent No.:** **US D521,092 S**
Morales (45) **Date of Patent:** **** May 16, 2006**

(54) **CONTOURED BAT GRIP**

(76) Inventor: **Jose Robert Morales**, 7015 Morgan Rd., Everett, WA (US) 98203

(**) Term: **14 Years**

(21) Appl. No.: **29/221,373**

(22) Filed: **Jan. 14, 2005**

(51) **LOC (8) Cl.** **21-02**

(52) **U.S. Cl.** **D21/753; D21/756; D21/725**

(58) **Field of Classification Search** D21/725,
D21/753, 756; 473/538, 549, 551, 552, 568,
473/457, 520, 564

See application file for complete search history.

(56) **References Cited**

U.S. PATENT DOCUMENTS

2,031,161	A	*	2/1936	Hamel	473/568
2,091,458	A		8/1937	Sleight		
3,469,839	A		9/1969	Pietronuto et al.		
4,940,247	A		7/1990	Magadini		
5,011,145	A	*	4/1991	Bartkowicz	473/568

(Continued)

OTHER PUBLICATIONS

*Knobcuff*TM, available at <http://www.knobcuff.com/> (Oct. 24, 2004); 3 pages.

http://www.rallytimesports.com/0406/IMG_0014.JPG (Oct. 24, 2004); 1 page.

BatTape.com, available at <http://www.softballjunk.com/bat-tape/hacc.htm> (Oct. 24, 2004); 10 pages.

BatGrip, available at <http://www.batgrip.com/batgrip.cfm> (Jan. 4, 2005); 3 pages.

KNOBCUFF, available at <http://www.softballproshop.com/knobcuff.html> (Oct. 24, 2004); 1 of 2 pages.

Knobcuff EZ Taper, available at <http://www.baseballjunk.com/eztapper.htm> (Oct. 24, 2004); 2 of 3 pages.

<http://www.baseballshop/ip/easton/html/powerpad.html> (Oct. 24, 2004); 1 page.

KNOBCUFF EZ Taper, http://store1.yimg.com/I/yhst-6549797405741_1812_241723 (Oct. 24, 2004); 1 page.

Primary Examiner—Mitchell Siegel

(74) *Attorney, Agent, or Firm*—Alston & Bird LLP

(57) **CLAIM**

The ornamental design for a contoured bat grip, as shown and described.

DESCRIPTION

FIG. 1 is a perspective view of a contoured bat grip according to an embodiment of the present invention;

FIG. 2 is another perspective view of the contoured bat grip of FIG. 1;

FIG. 3 is a side elevation view of the contoured bat grip of FIG. 1;

FIG. 4 is a cross-sectional view of the contoured bat grip of FIG. 1 taken on line 4-4 of FIG. 6;

FIG. 5 is a cross-sectional view of the contoured bat grip of FIG. 1 taken on line 4-4 of FIG. 6;

FIG. 6 is a top plan view of the contoured bat grip of FIG. 1;

FIG. 7 is a bottom plan view of the contoured bat grip of FIG. 1;

FIG. 8 is a perspective view of a contoured bat grip according to another embodiment of the present invention;

FIG. 9 is another perspective view of the contoured bat grip of FIG. 8;

FIG. 10 is a side elevation view of the contoured bat grip of FIG. 8;

FIG. 11 is another side elevation view of the contoured bat grip of FIG. 8;

FIG. 12 is a cross-sectional view of the contoured bat grip of FIG. 8 taken on line 12-12 of FIG. 14;

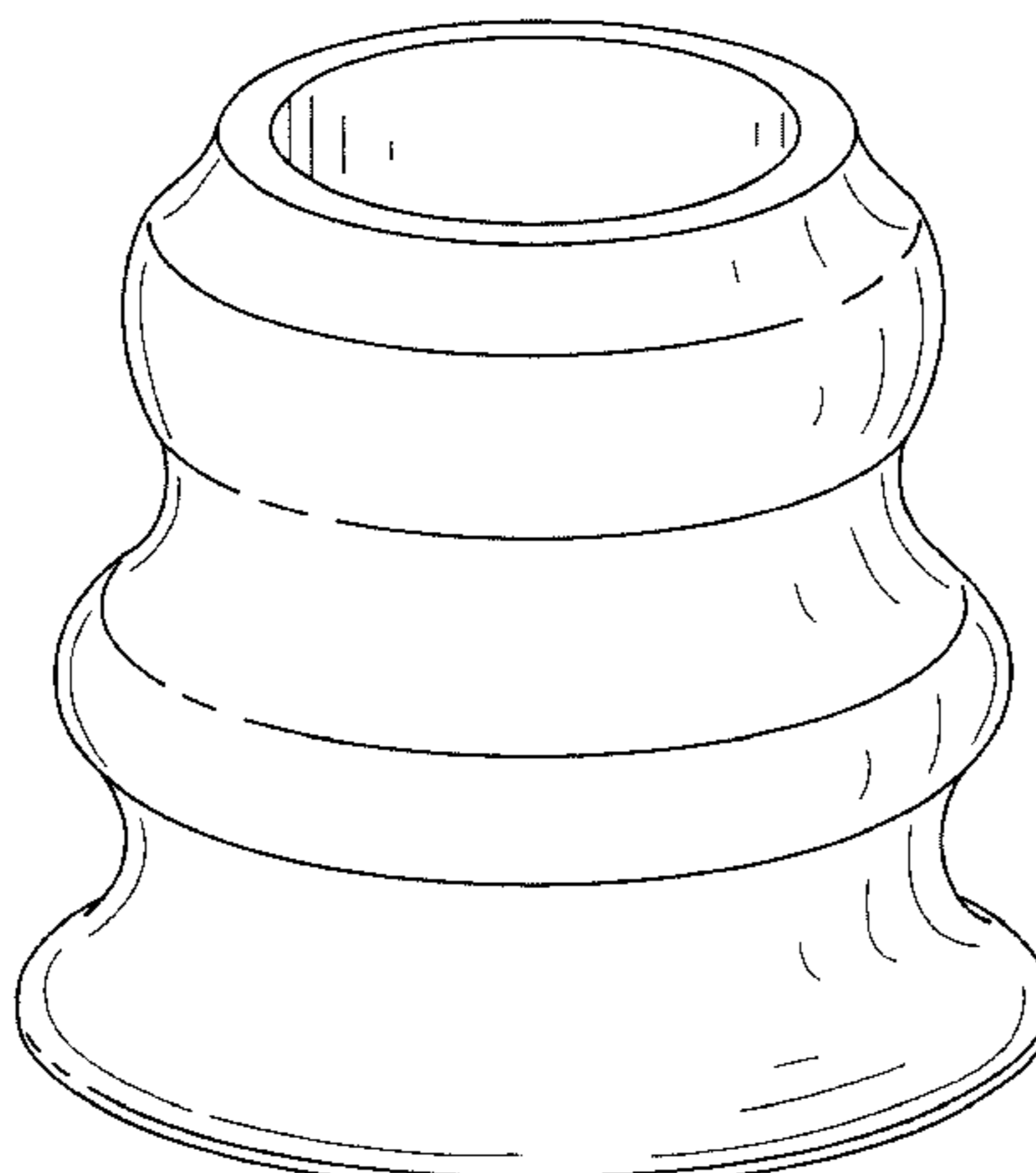
FIG. 13 is a cross-sectional view of the contoured bat grip of FIG. 8 taken on line 12-12 of FIG. 14;

FIG. 14 is a top plan view of the contoured bat grip of FIG. 8; and,

FIG. 15 is a bottom plan view of the contoured bat grip of FIG. 8.

The broken lines shown herein are for illustrative purposes only and form no part of the claimed design.

1 Claim, 15 Drawing Sheets



US D521,092 S

Page 2

U.S. PATENT DOCUMENTS

5,342,046 A	8/1994	Erb		6,148,483 A	11/2000	DeGraff	
5,482,270 A	1/1996	Smith		6,234,924 B1	5/2001	Washburn, Jr.	
5,577,722 A	* 11/1996	Glassberg 473/457	D443,907 S	* 6/2001	Tarica D21/758
5,624,114 A	* 4/1997	Kelsey 473/520	D444,193 S	6/2001	Dodson	
D387,831 S	* 12/1997	George D21/753	6,277,040 B1	8/2001	Randolph	
5,839,983 A	* 11/1998	Kramer 473/568	6,406,387 B1	6/2002	Ryan	

* cited by examiner

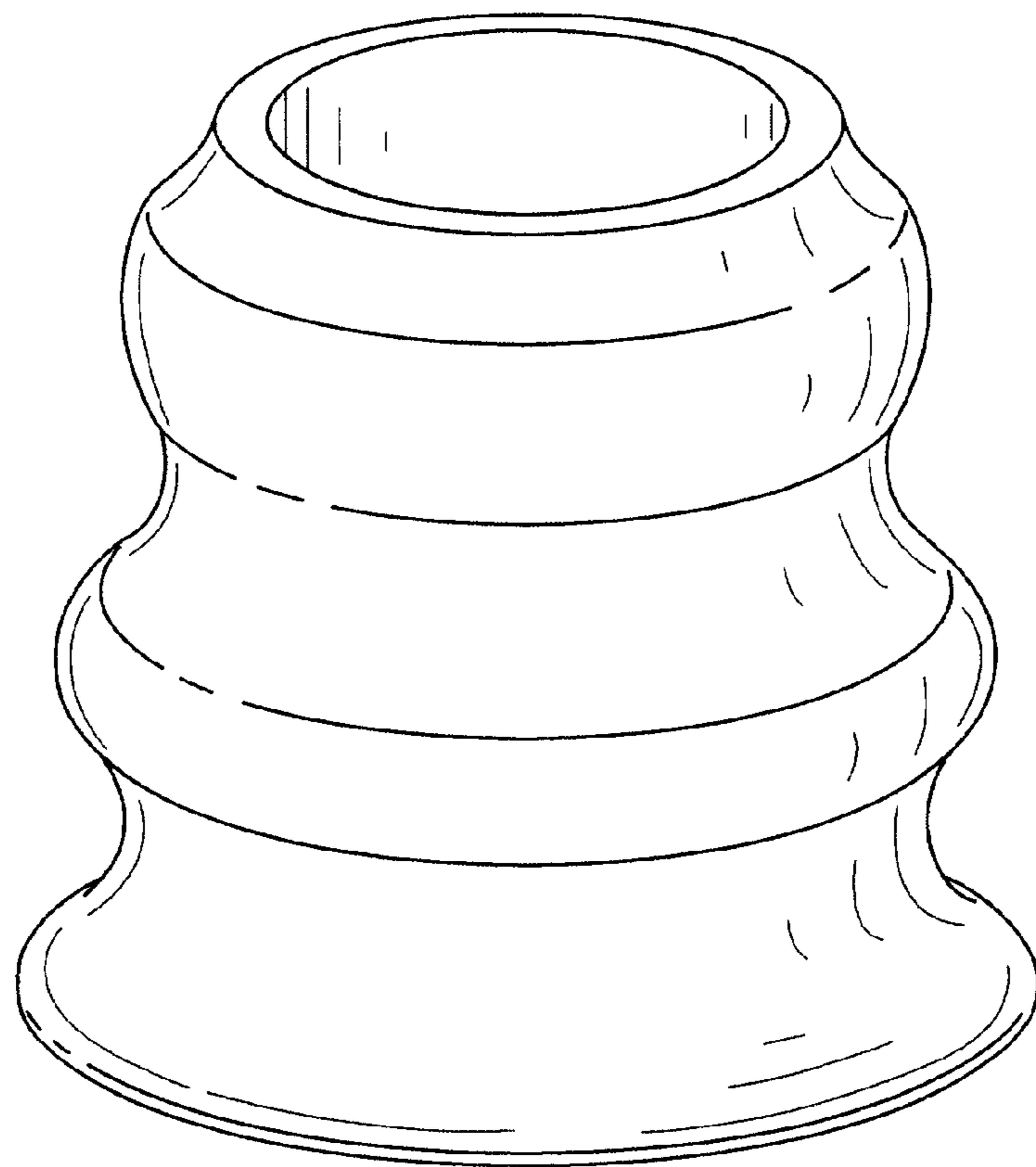


FIG. 1

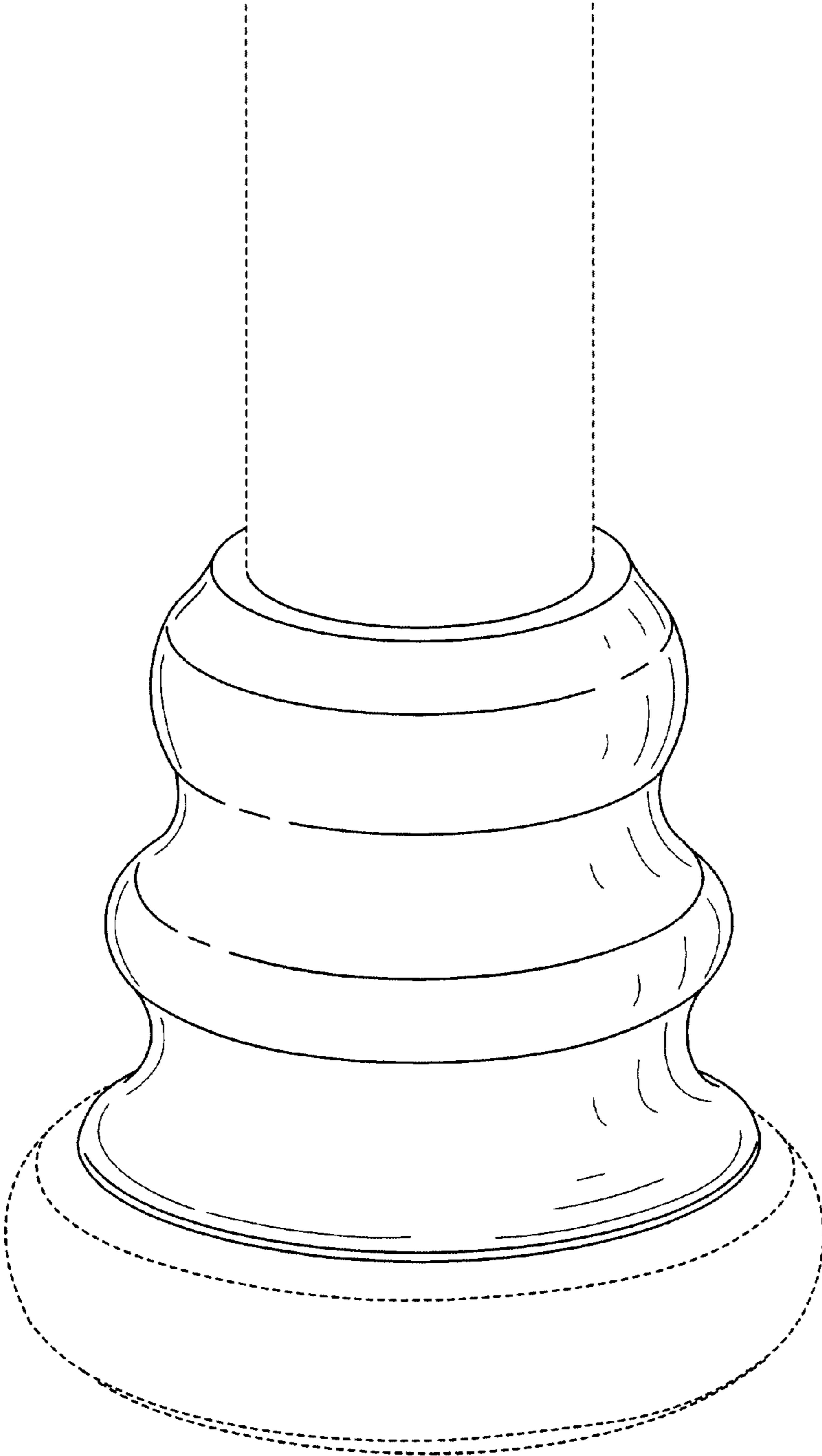


FIG. 2

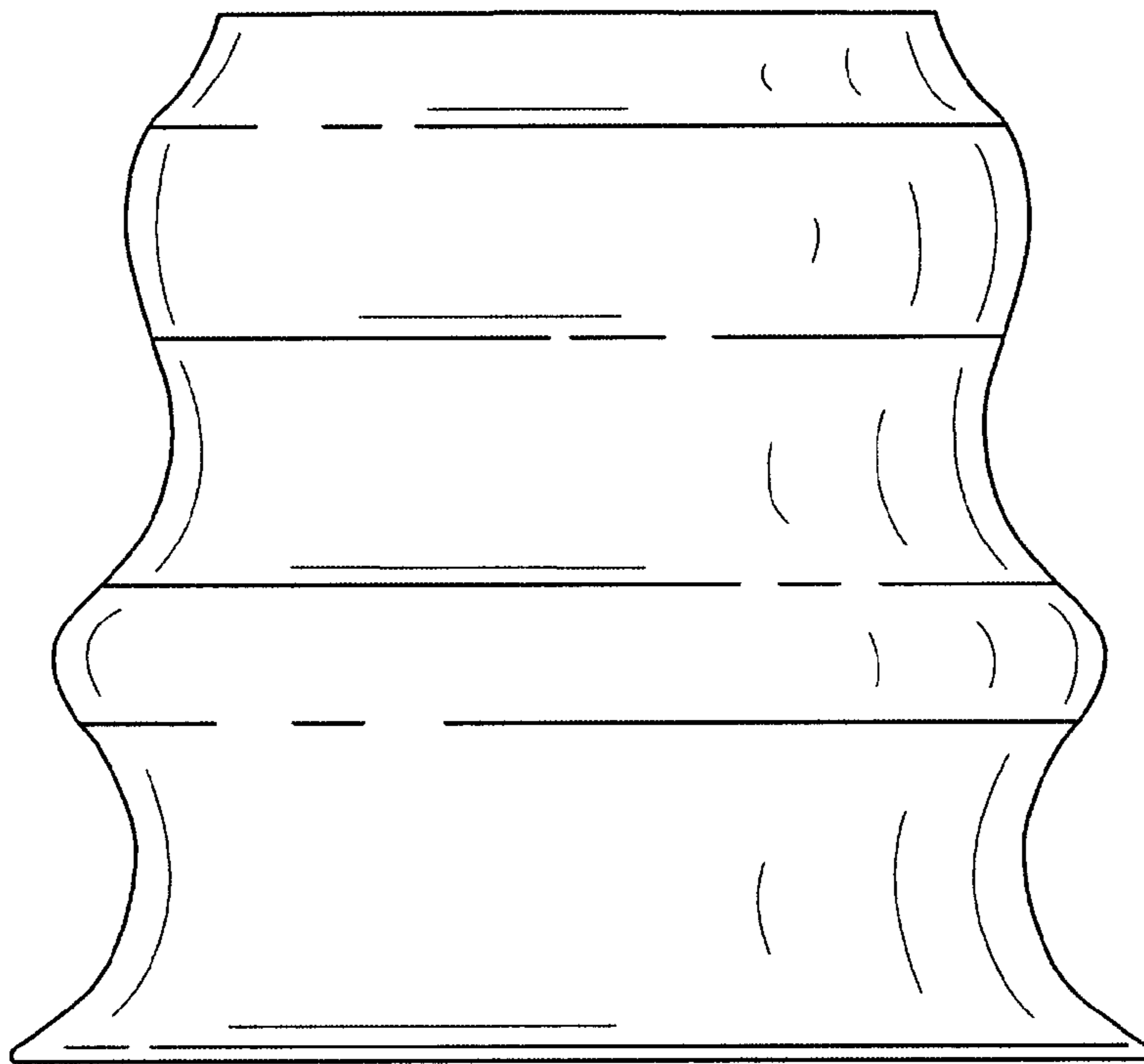


FIG. 3

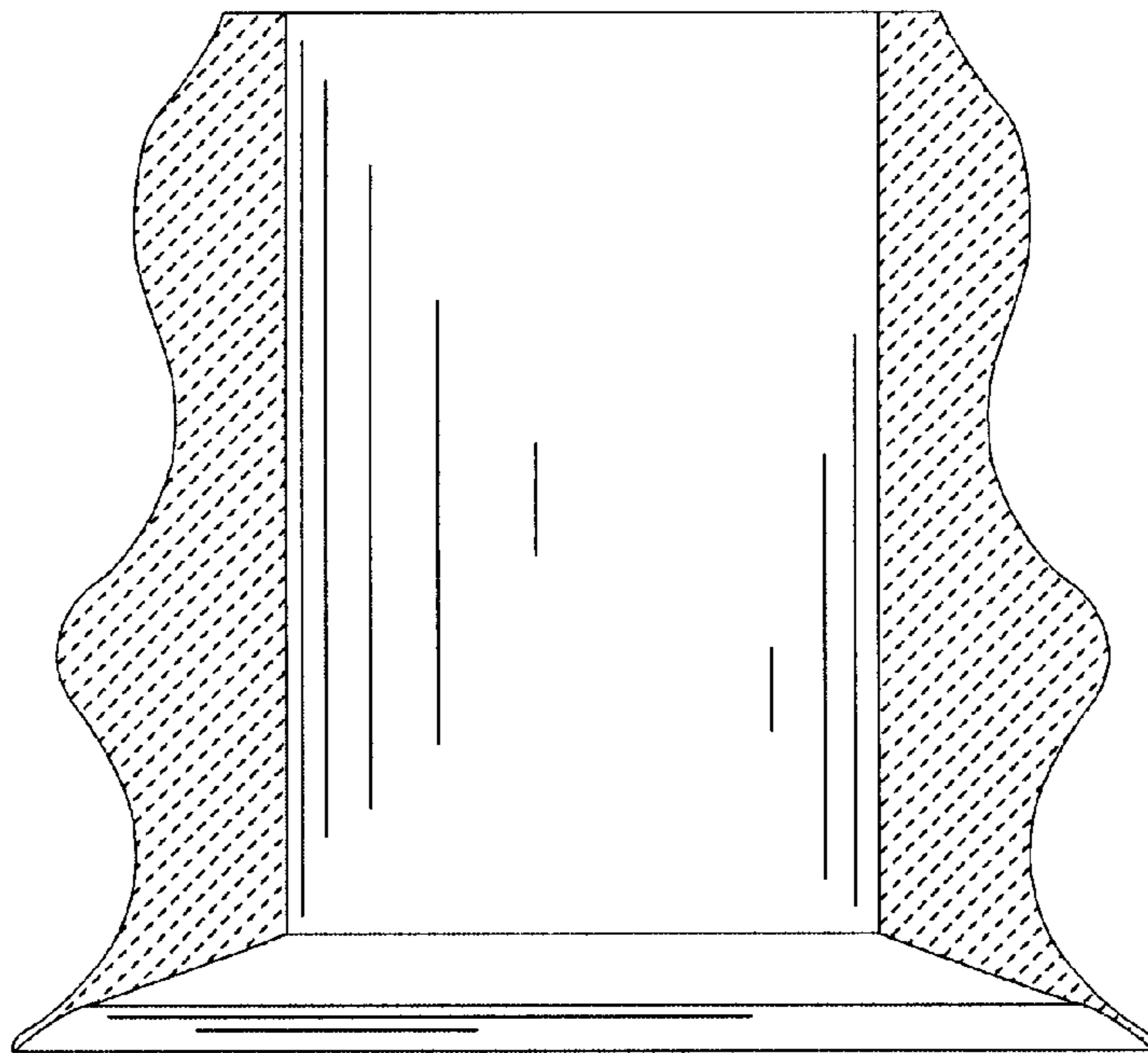


FIG. 4

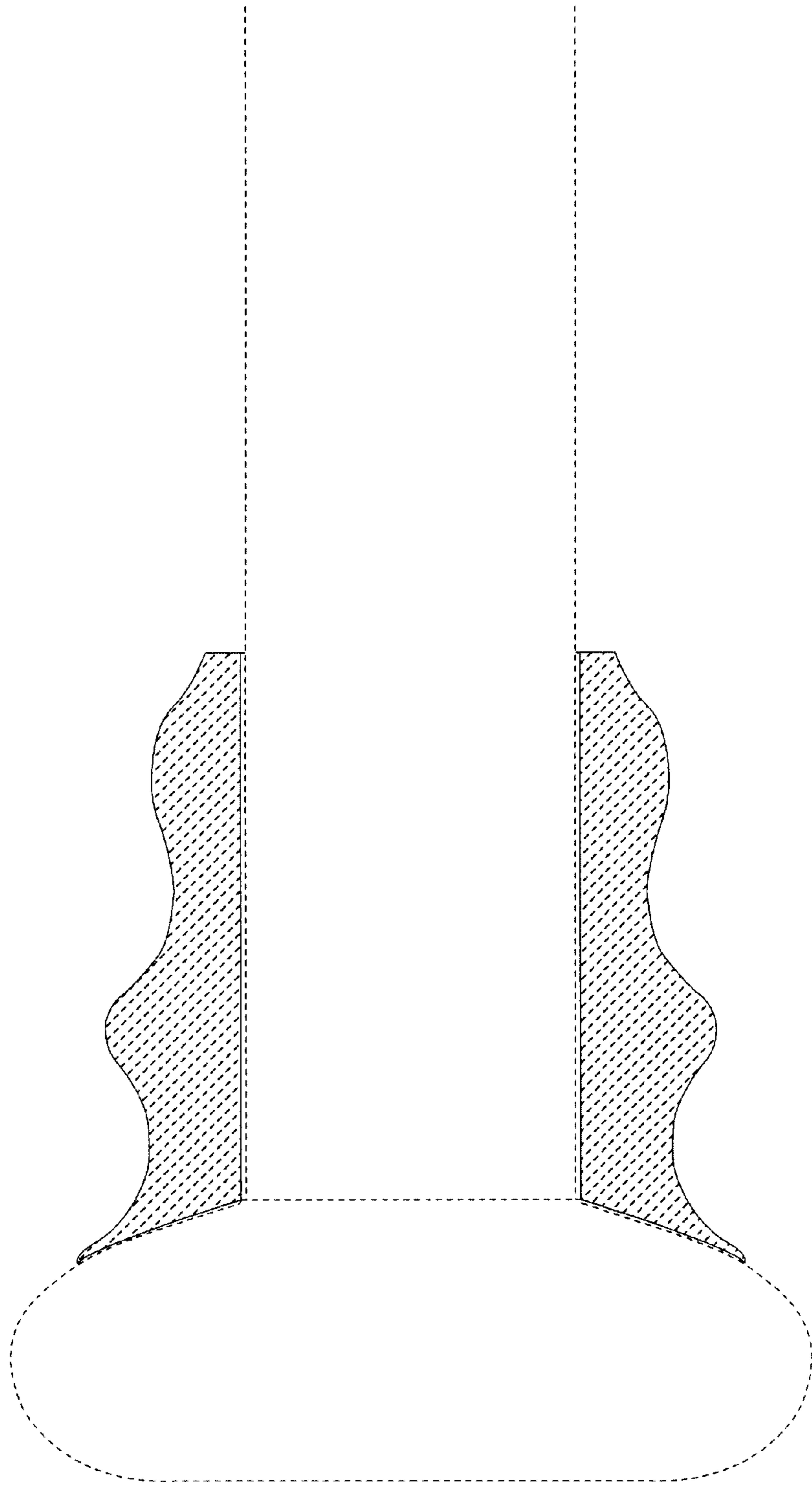


FIG. 5

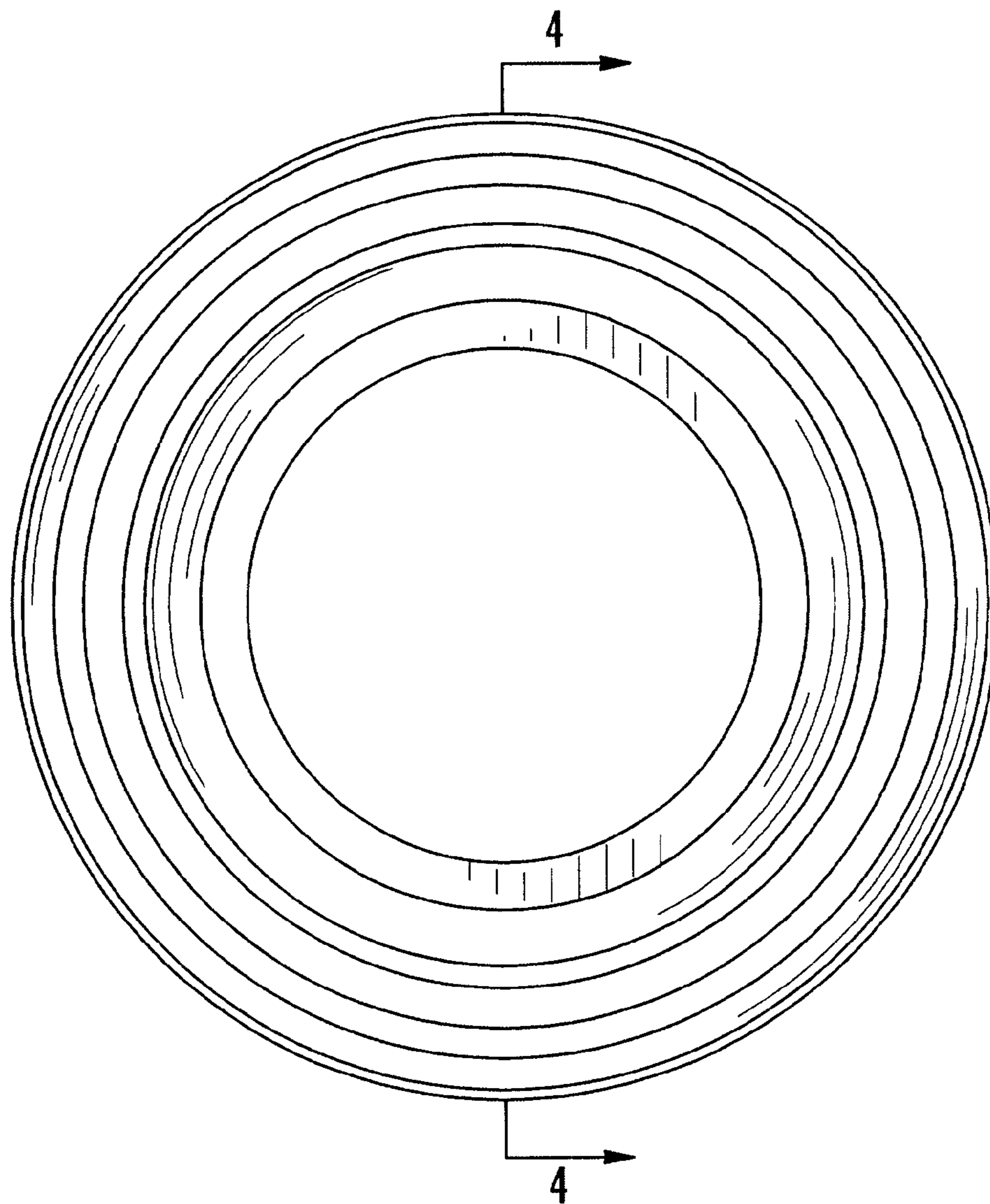


FIG. 6

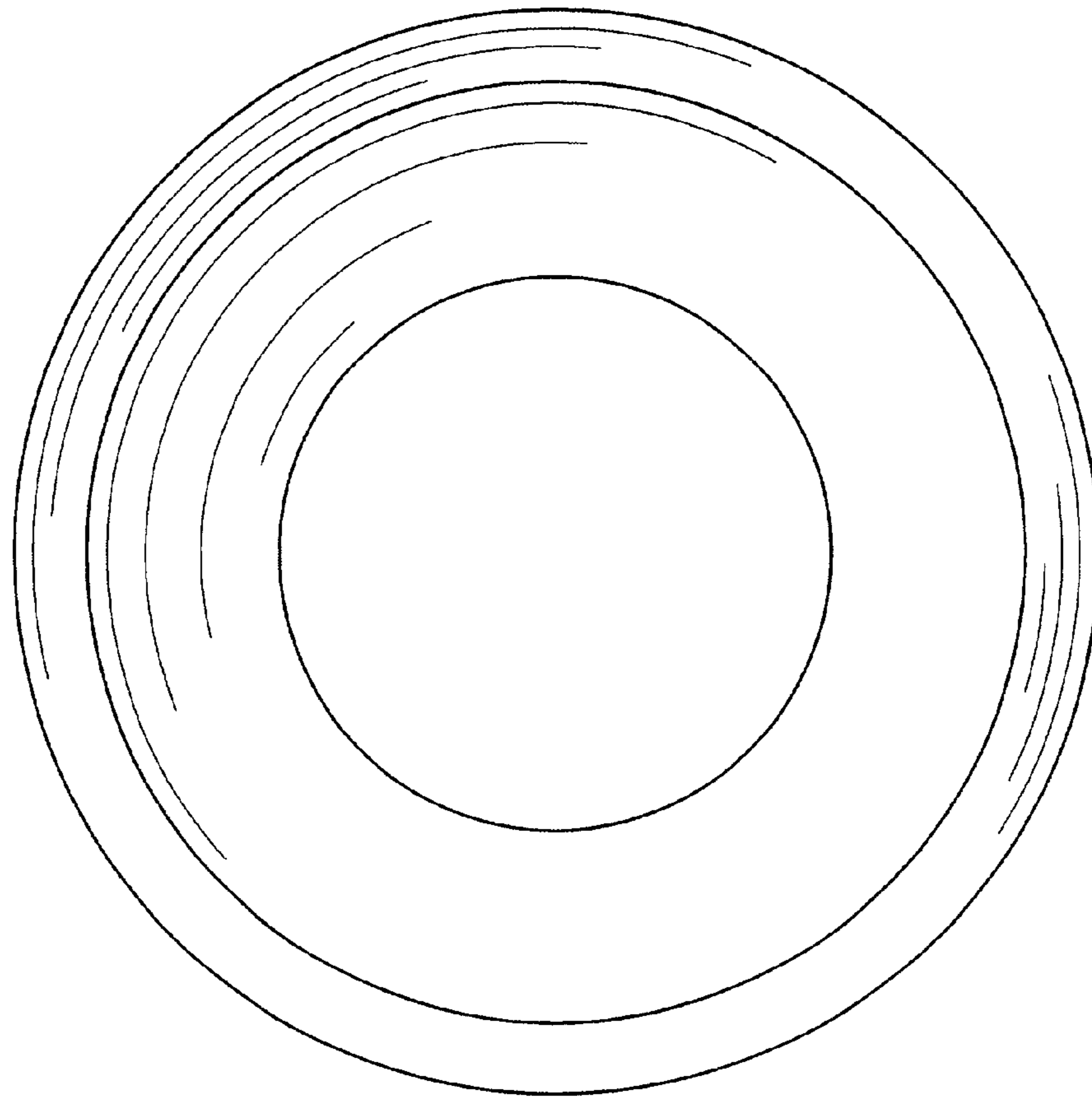


FIG. 7

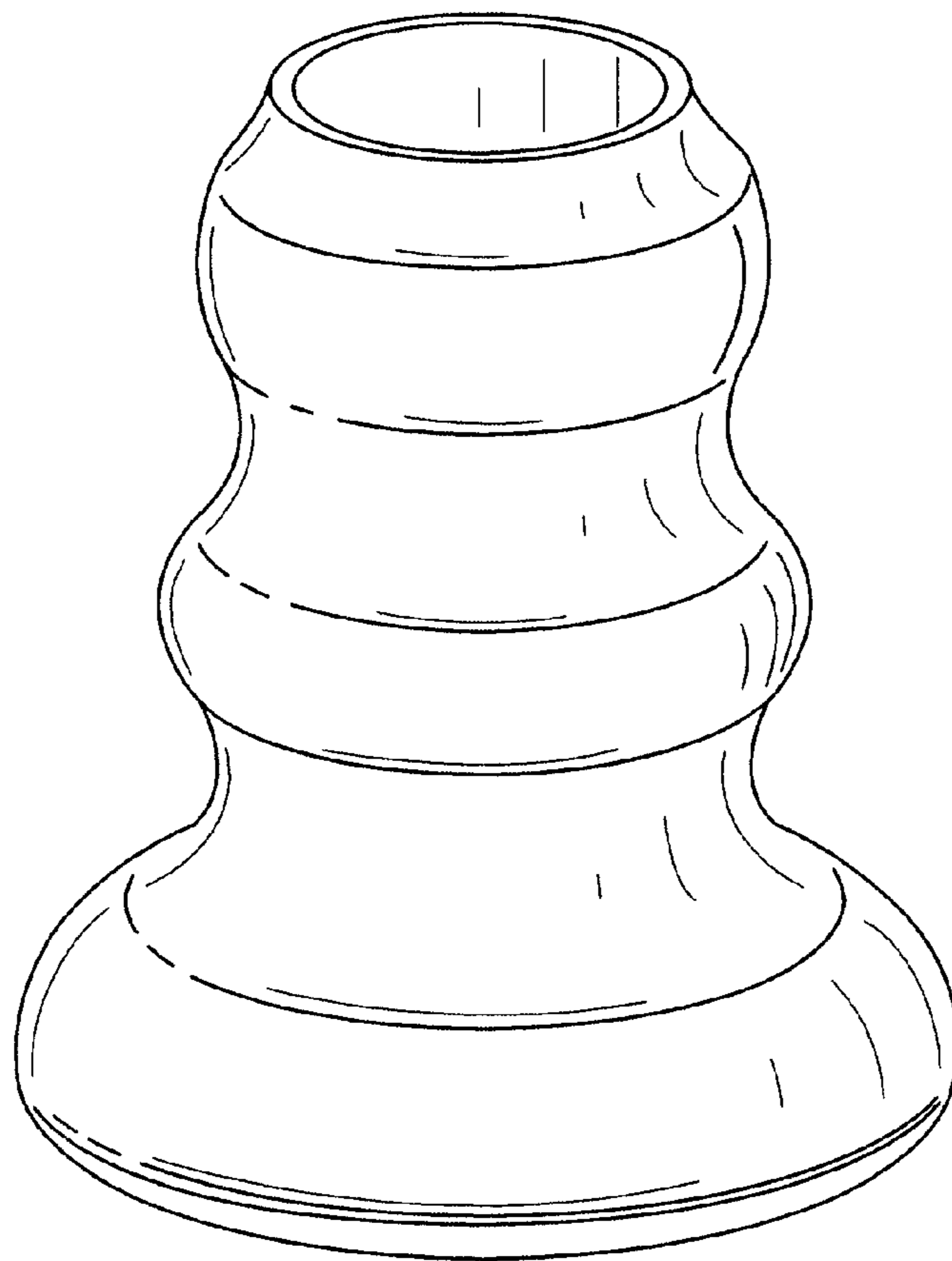


FIG. 8

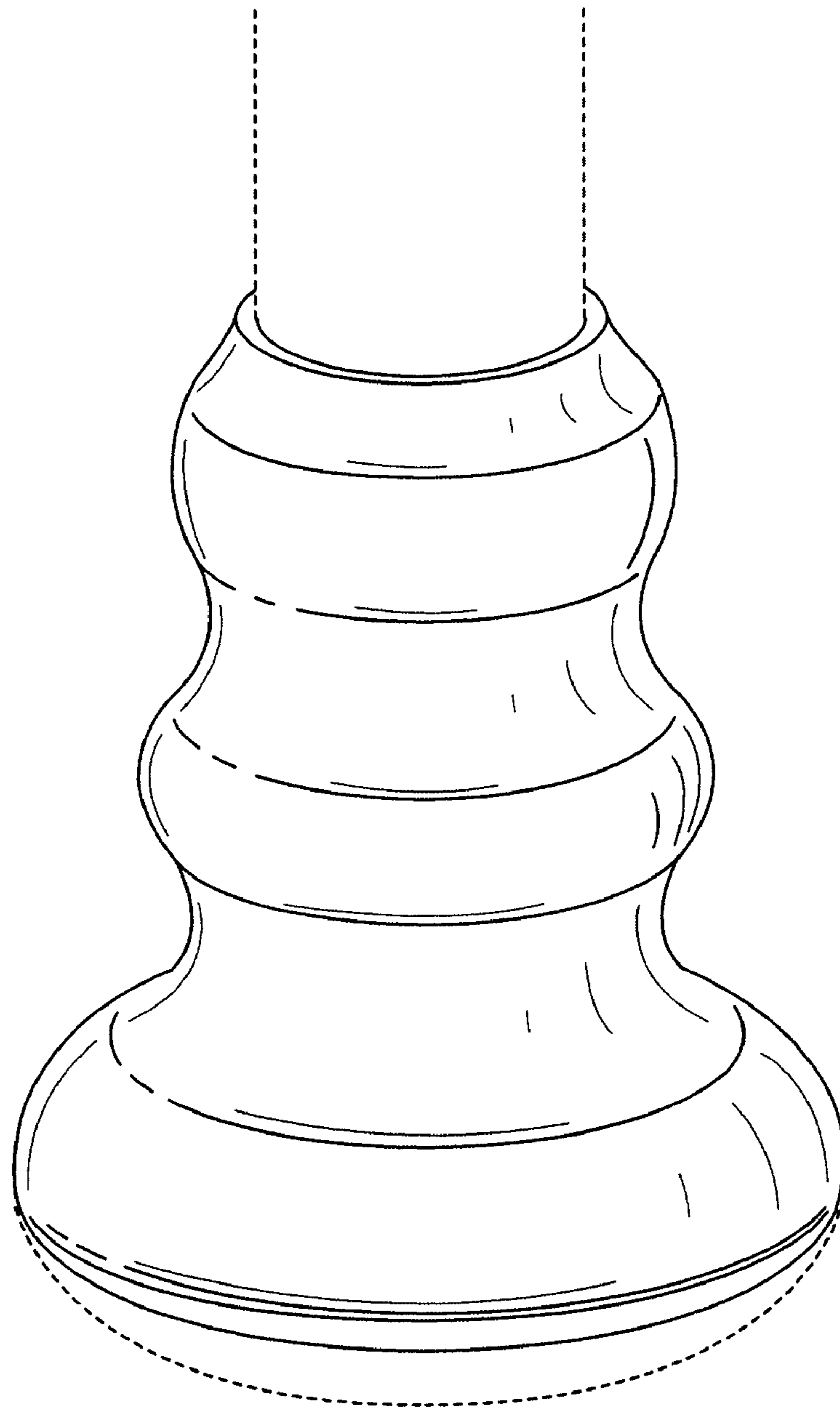


FIG. 9

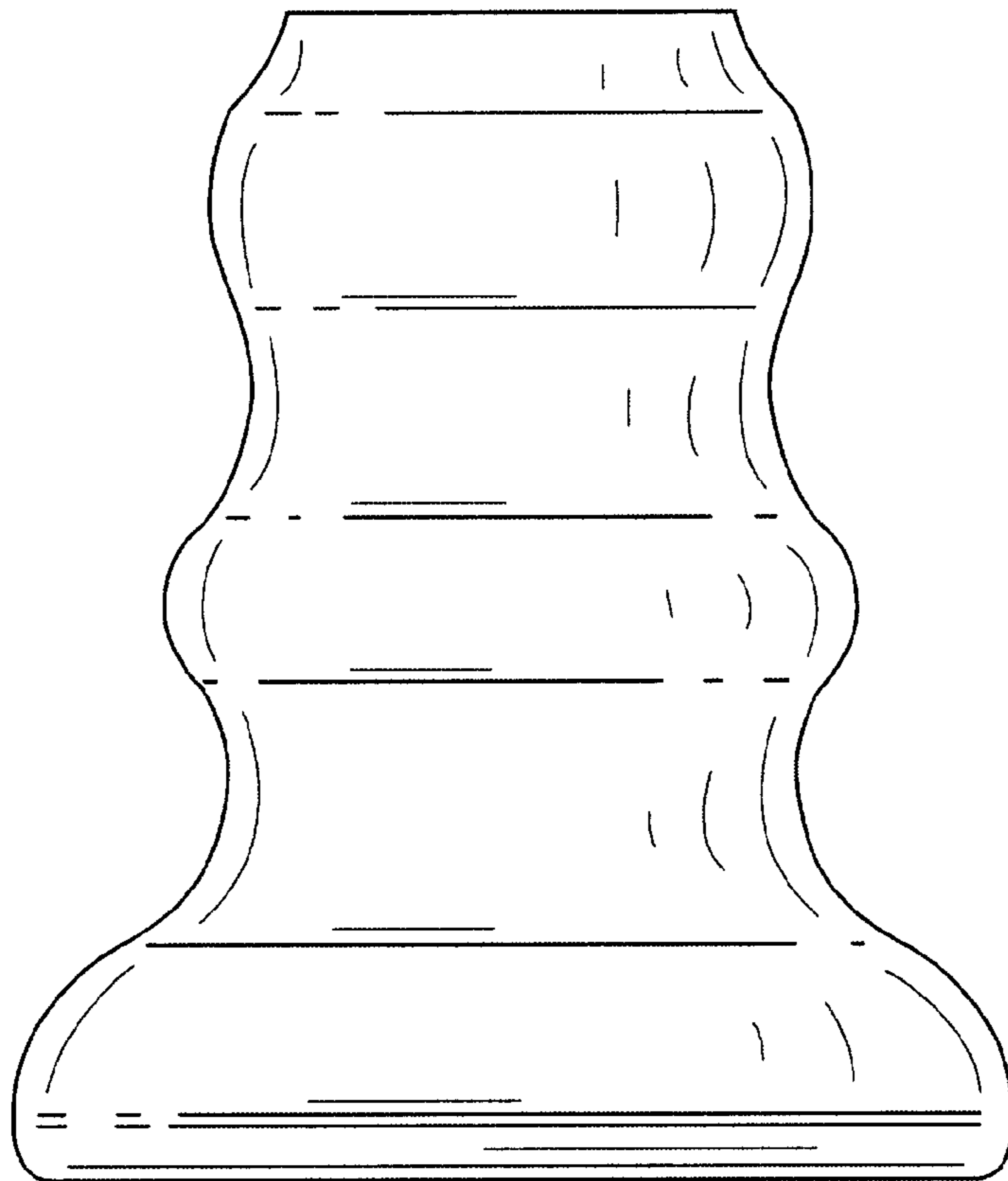


FIG. 10

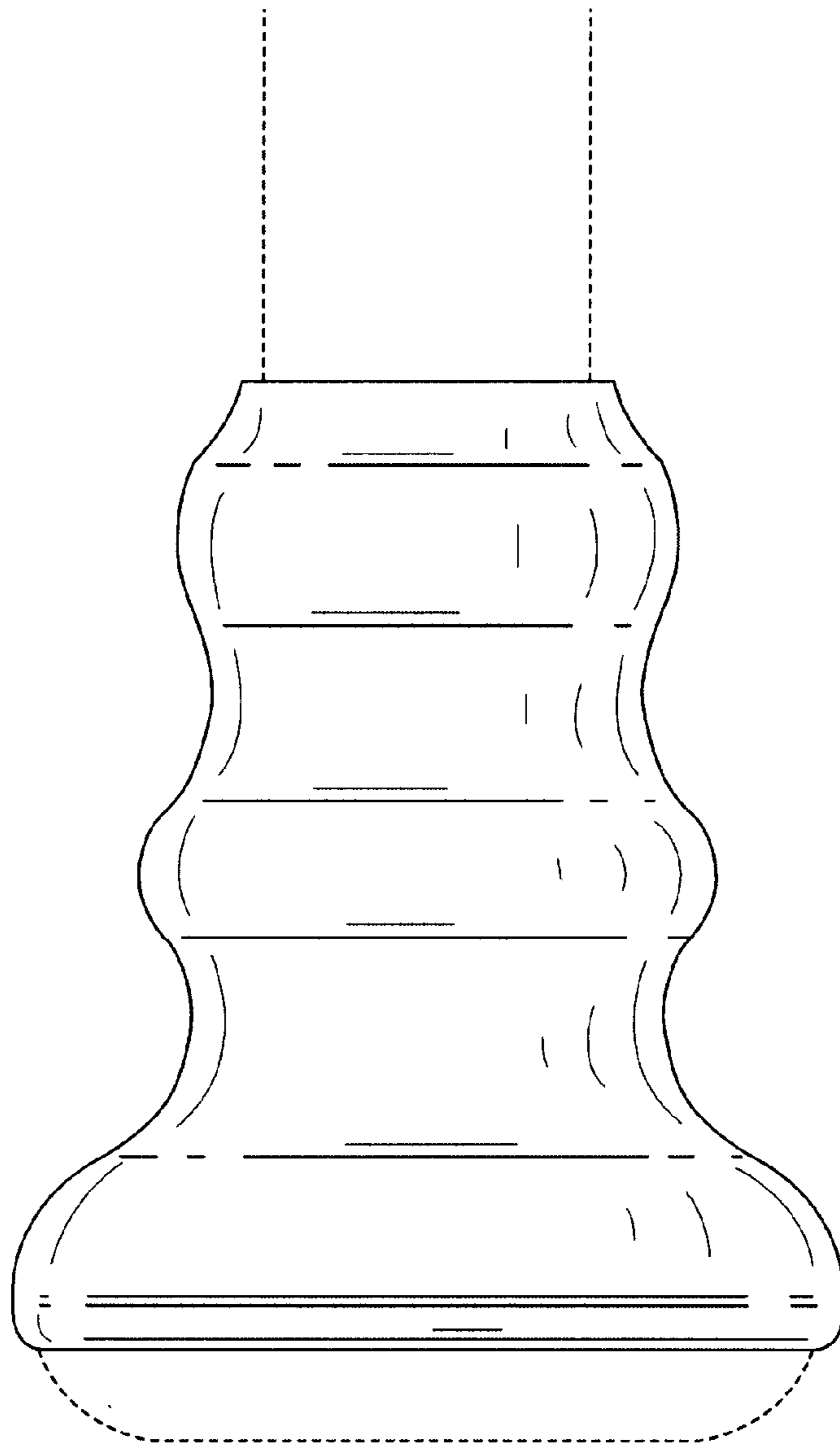


FIG. 11

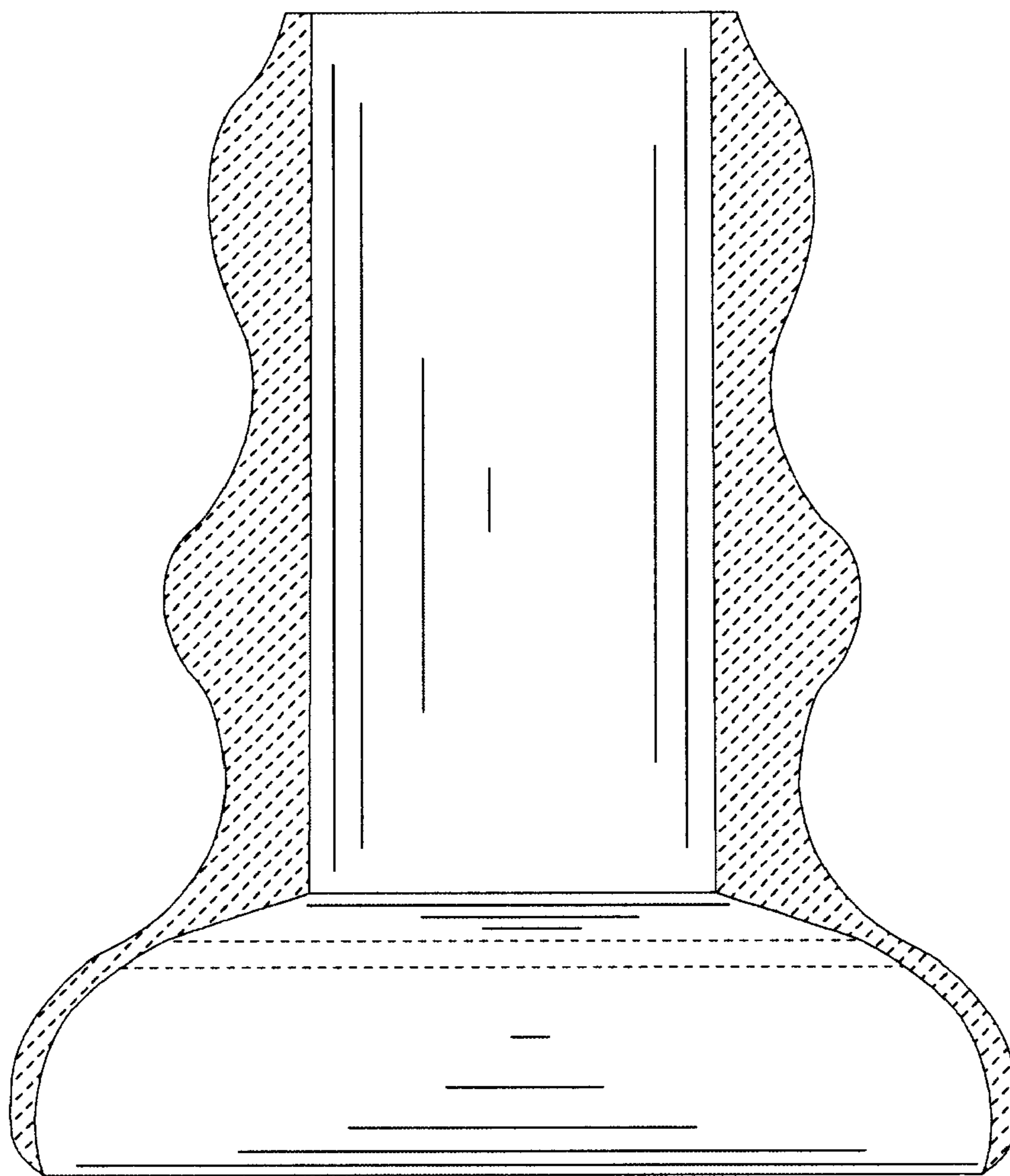


FIG. 12

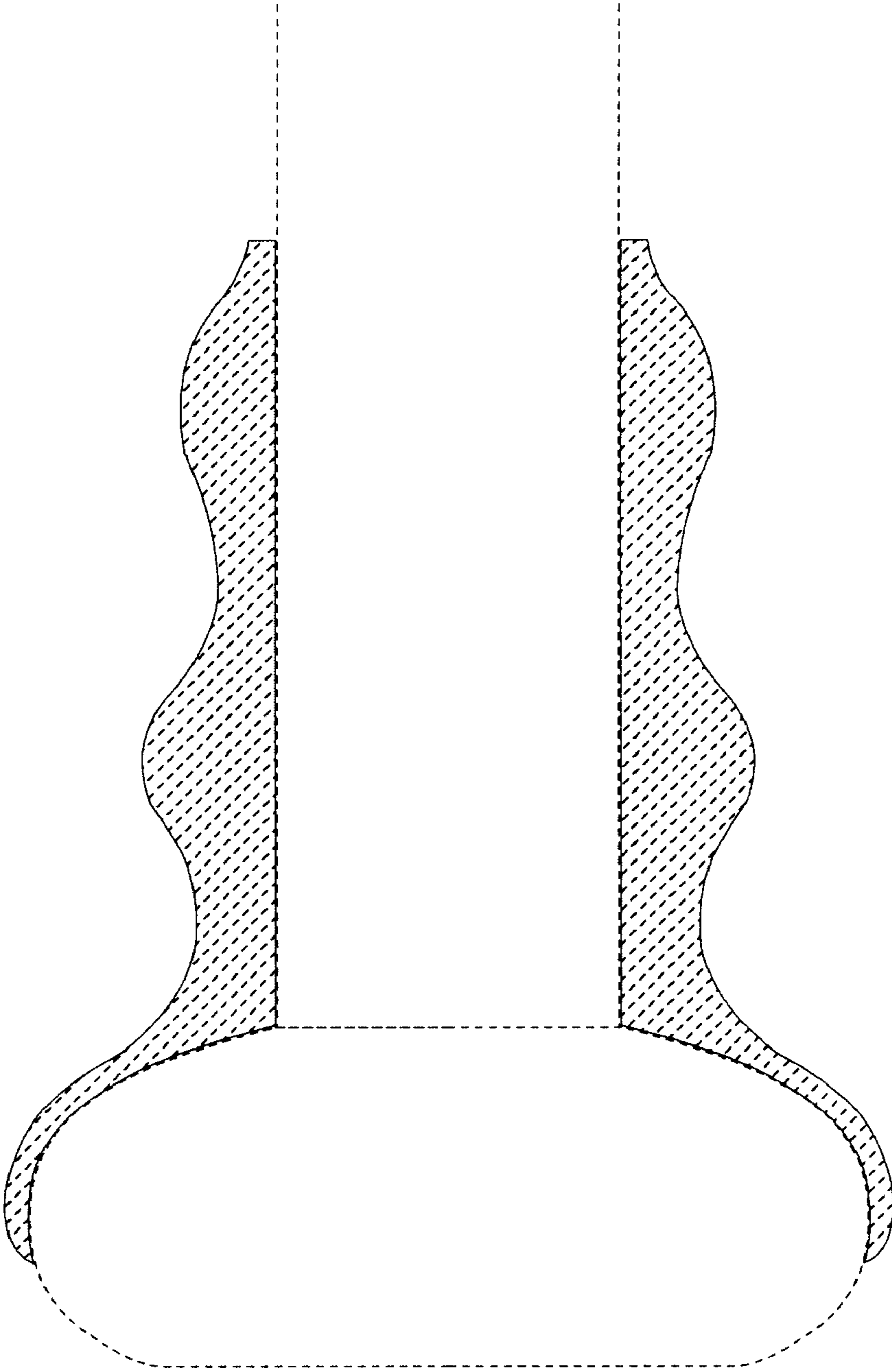


FIG. 13

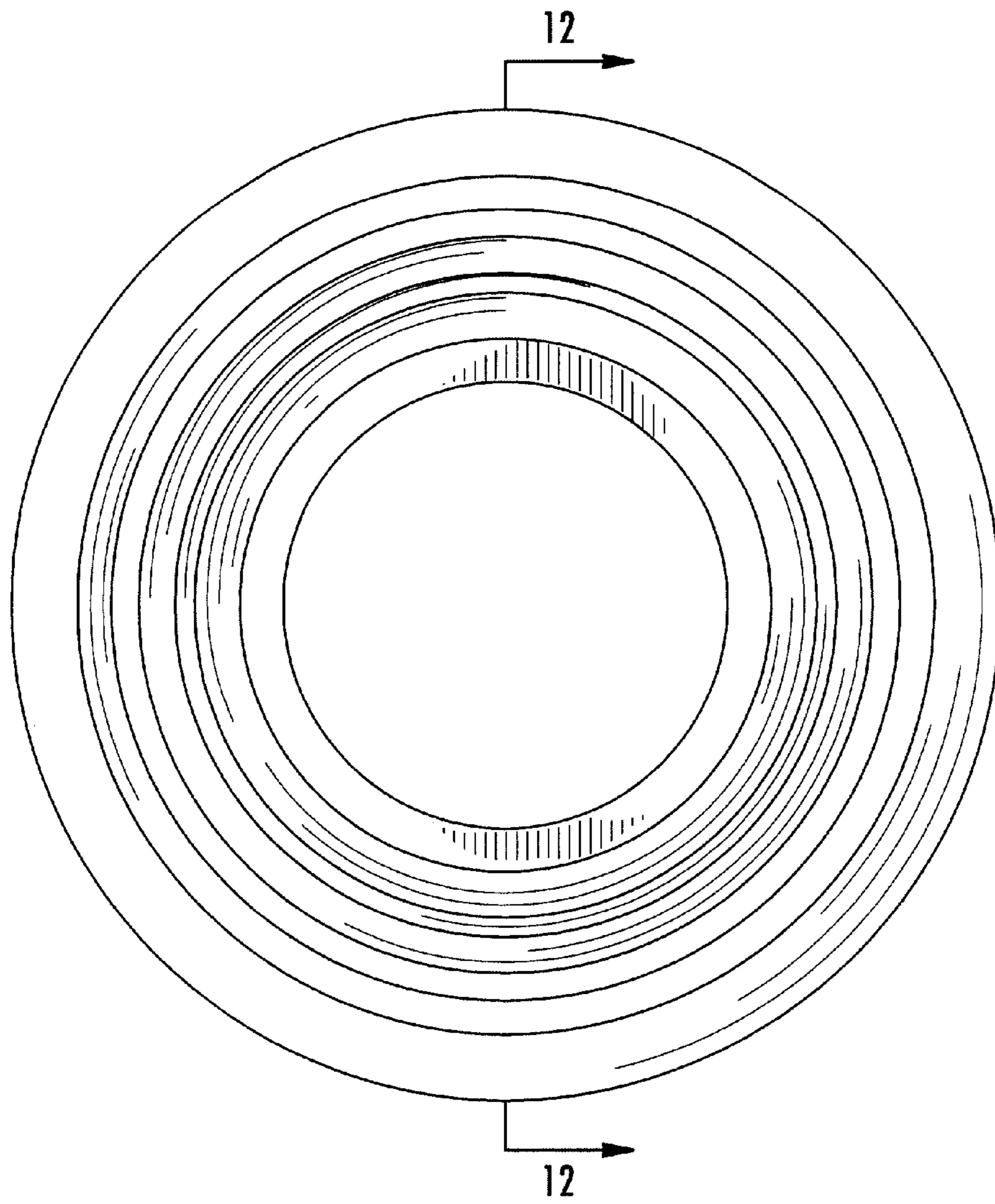


FIG. 14

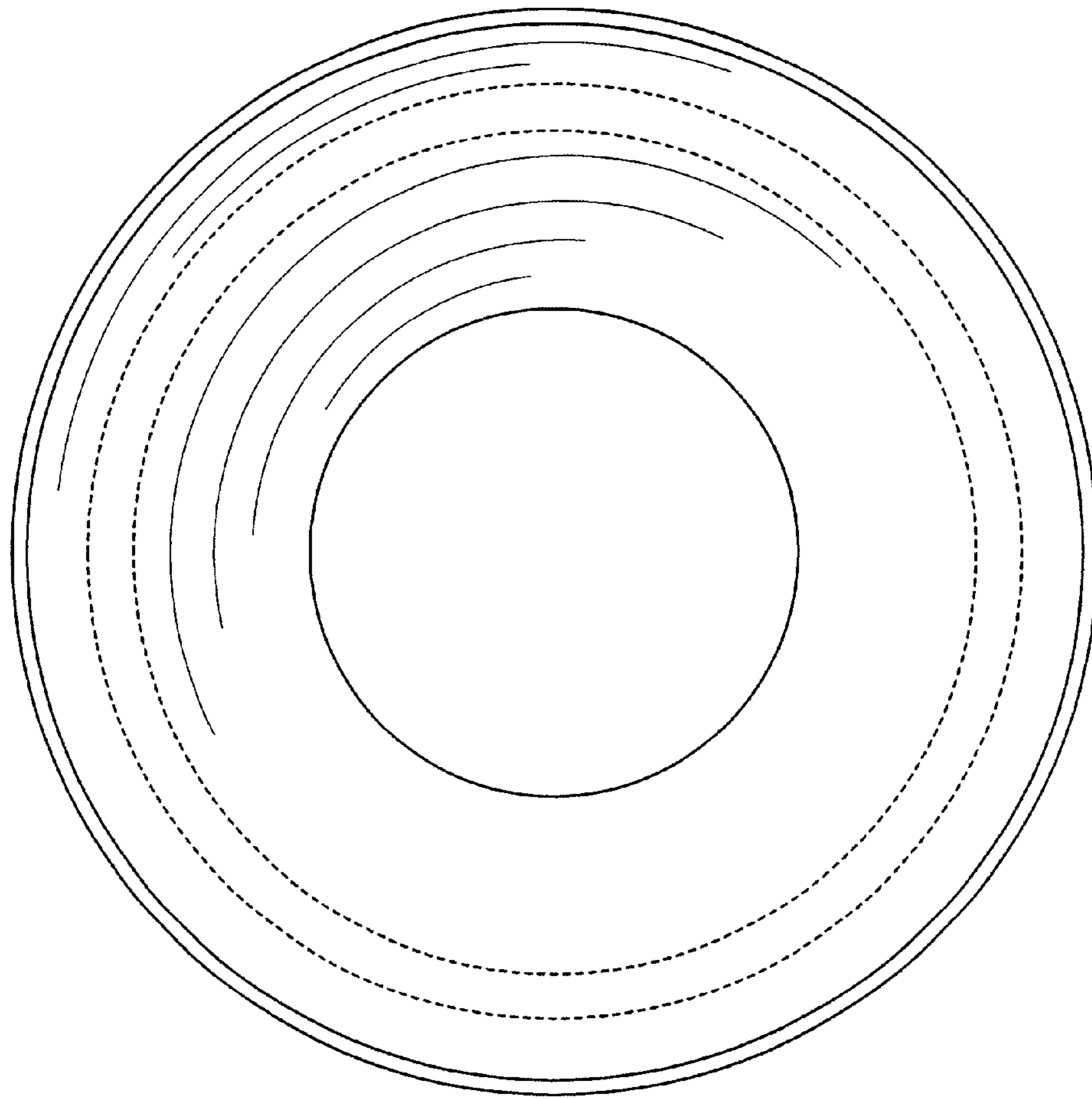


FIG. 15