

US00D521089S

(12) **United States Design Patent**  
**Dingman**

(10) **Patent No.:** **US D521,089 S**

(45) **Date of Patent:** **\*\* May 16, 2006**

(54) **PUTTER HEAD WITH BALL PICKUP**

(76) Inventor: **Dean Dingman**, 9912 Arden, Livonia,  
MI (US) 48150

(\*\*) Term: **14 Years**

(21) Appl. No.: **29/216,790**

(22) Filed: **Nov. 9, 2004**

(51) **LOC (8) Cl.** ..... **21-02**

(52) **U.S. Cl.** ..... **D21/738**

(58) **Field of Classification Search** ..... D21/736-746,  
D21/759; 473/324-331, 340, 341, 251-256  
See application file for complete search history.

5,137,275 A	8/1992	Nelson	
5,269,525 A	12/1993	Hull et al.	
5,368,302 A	11/1994	Thomas	
5,485,999 A	1/1996	Hull et al.	
5,509,658 A	4/1996	Youngblood	
5,601,499 A	2/1997	Segaline	
5,628,696 A	5/1997	Frye	
5,692,968 A	12/1997	Shine	
6,322,457 B1	11/2001	Klein	
D485,322 S	* 1/2004	Madore	..... D21/742
D503,445 S	* 3/2005	Toroussian	..... D21/736
D506,795 S	* 6/2005	Petersen	..... D21/742

\* cited by examiner

*Primary Examiner*—Mitchell Siegel

(74) *Attorney, Agent, or Firm*—Kevin G. Mierzwa

(56) **References Cited**

**U.S. PATENT DOCUMENTS**

3,462,155 A	8/1969	Pelz
D217,483 S	5/1970	Jackson
3,549,300 A	12/1970	Pelz
3,632,112 A	1/1972	Jacobs
3,944,231 A	3/1976	Johnson
4,248,430 A	2/1981	Kepler
4,361,329 A	11/1982	Brock
4,580,784 A	4/1986	Brill
D291,908 S	9/1987	Glennon et al.
4,902,015 A	2/1990	Nebbia
4,934,702 A	6/1990	Serizawa
4,951,951 A	8/1990	Meyer
4,976,436 A	12/1990	Serizawa
D324,556 S	3/1992	Guerin, Sr.
D326,302 S	5/1992	Guerin, Sr.
5,127,653 A	7/1992	Nelson

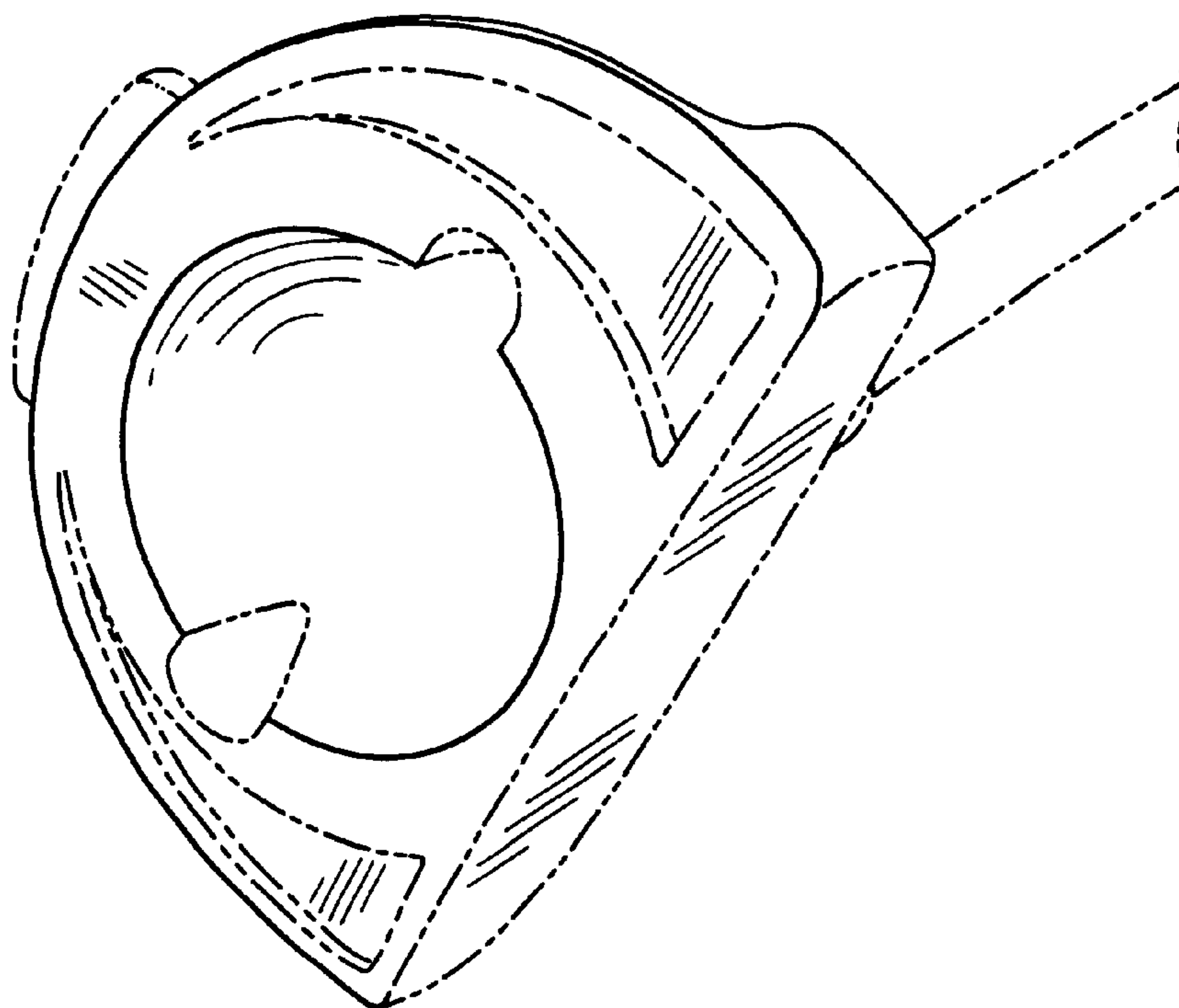
(57) **CLAIM**

The ornamental design for a putter head with ball pickup, as shown and described.

**DESCRIPTION**

FIG. 1 is a perspective view of a putter head with ball pickup embodying my new design;  
FIG. 2 is a front elevational view thereof;  
FIG. 3 is a bottom plan elevational view thereof;  
FIG. 4 is a left side elevational view thereof;  
FIG. 5 is a rear elevational view thereof;  
FIG. 6 is a bottom elevational view thereof; and,  
FIG. 7 is a right side elevational view thereof.  
The broken line showing is for illustrative purposes only and forms no part of the claimed design.

**1 Claim, 2 Drawing Sheets**



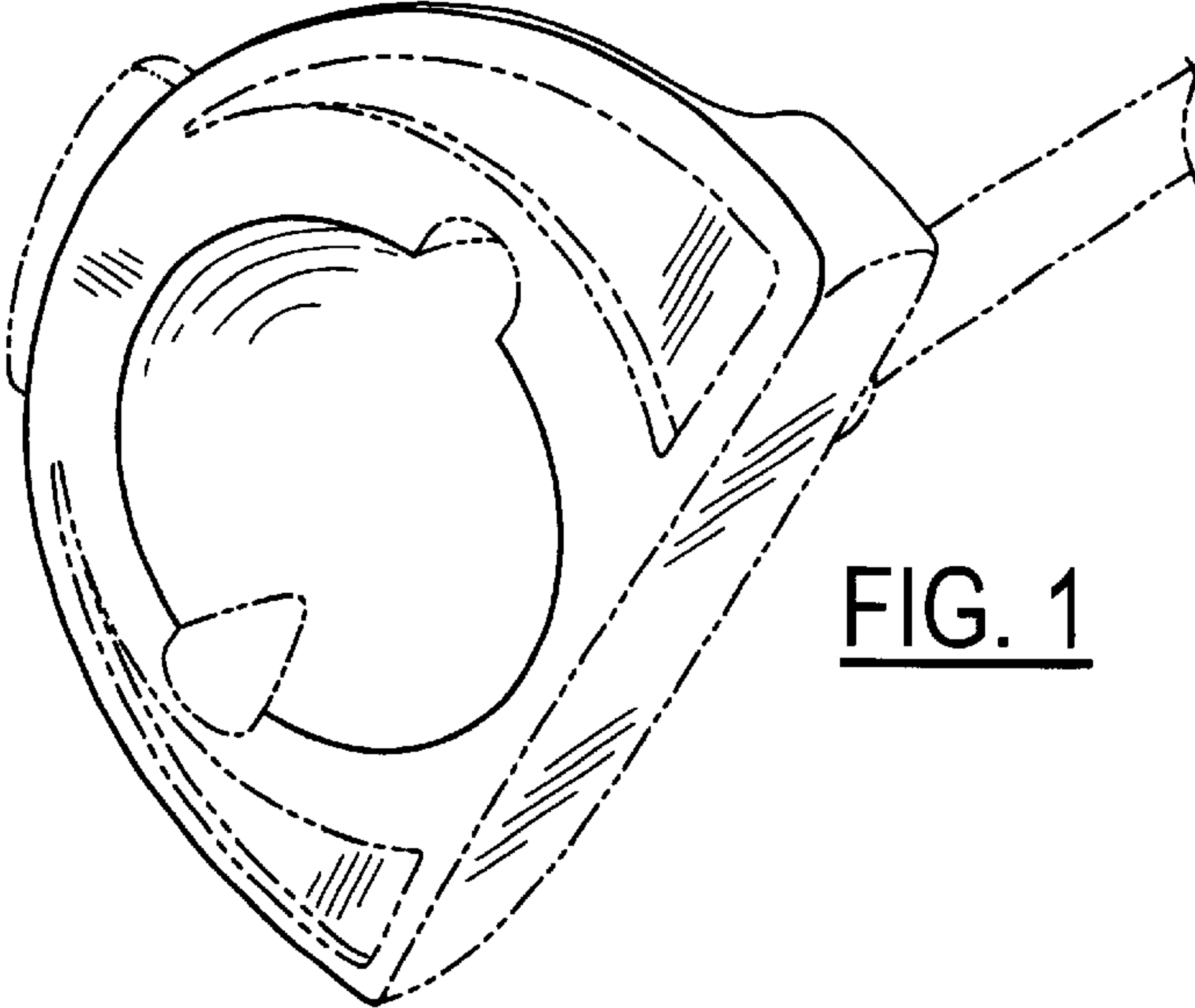


FIG. 1

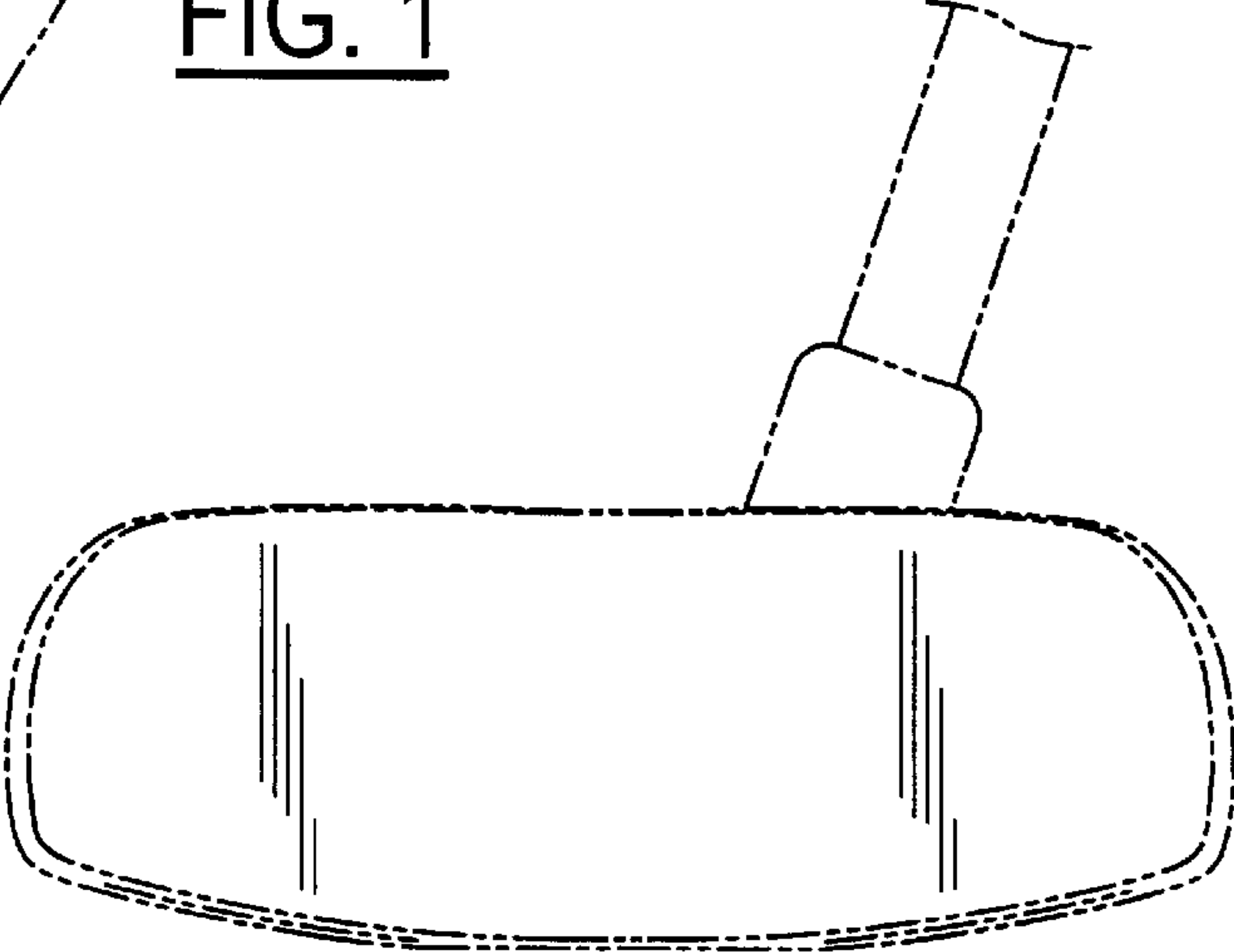


FIG. 2

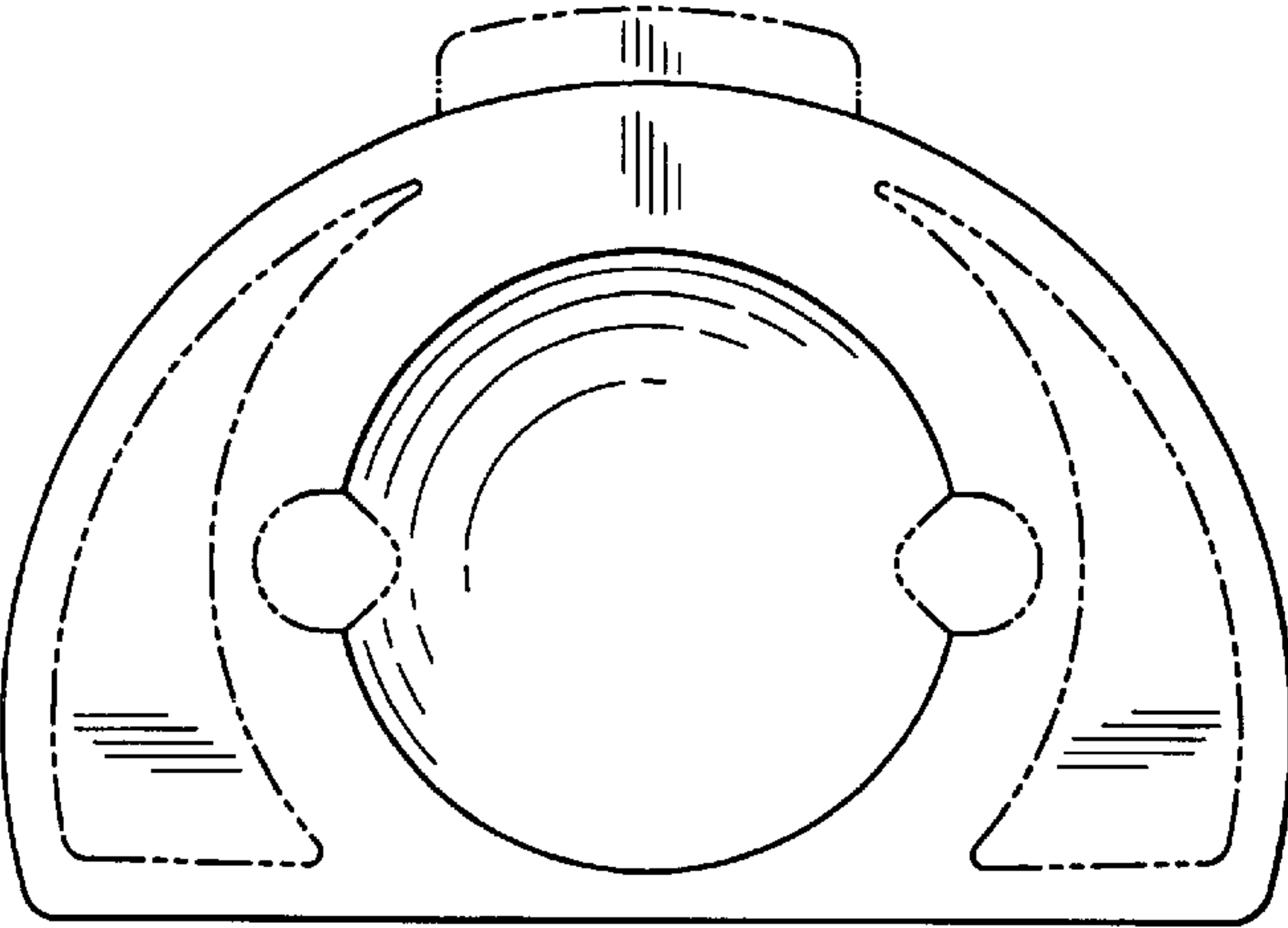


FIG. 3

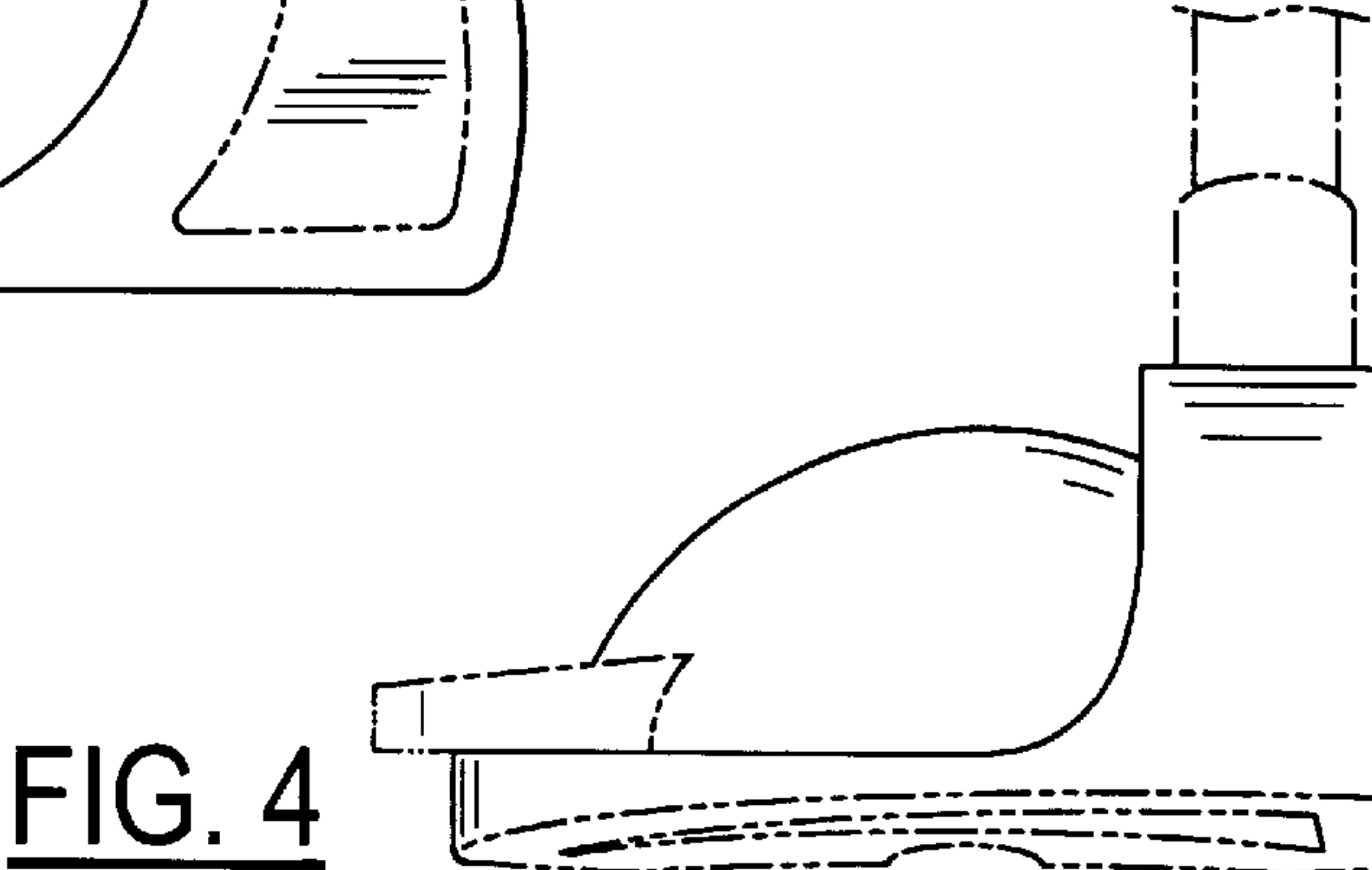


FIG. 4

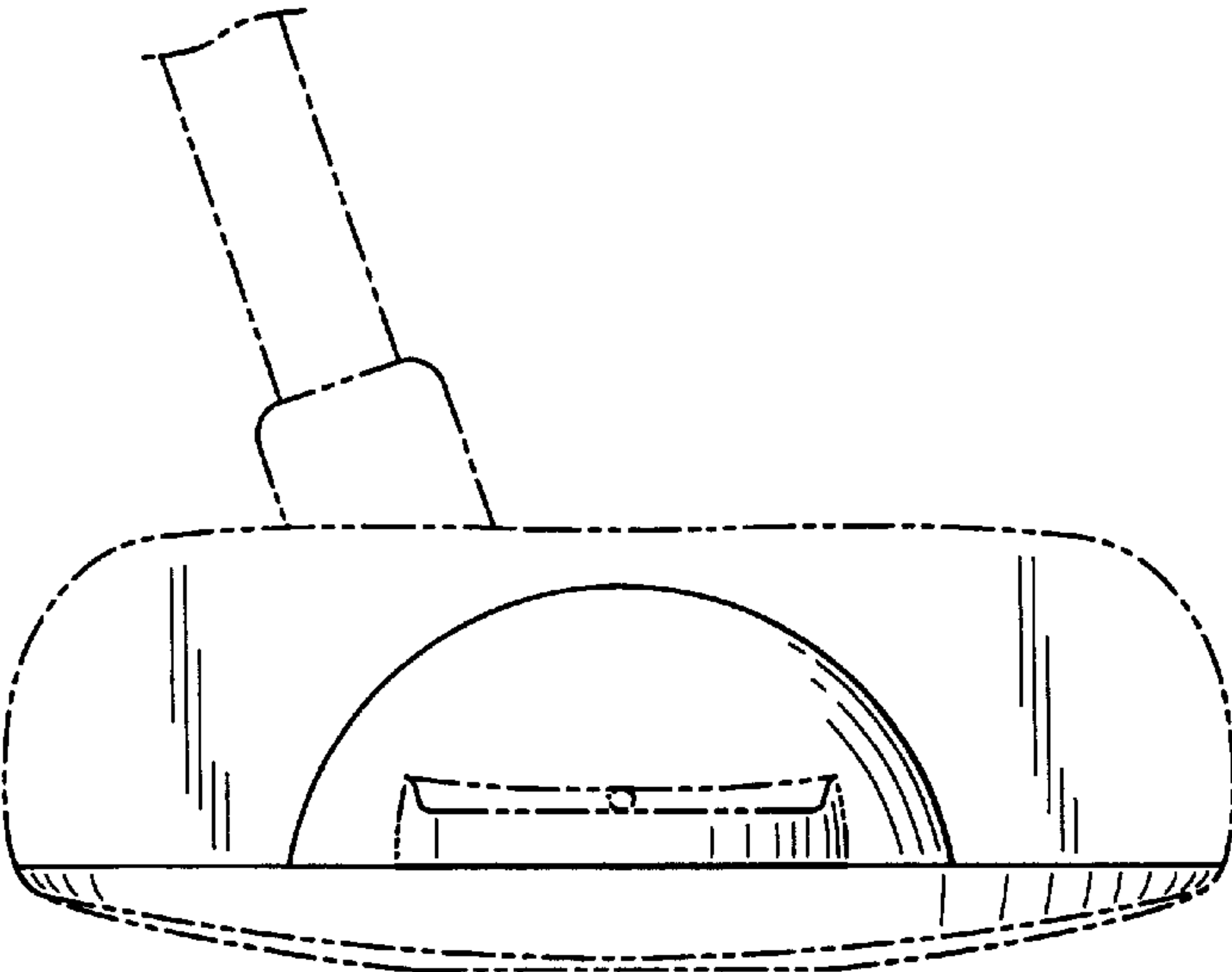


FIG. 5

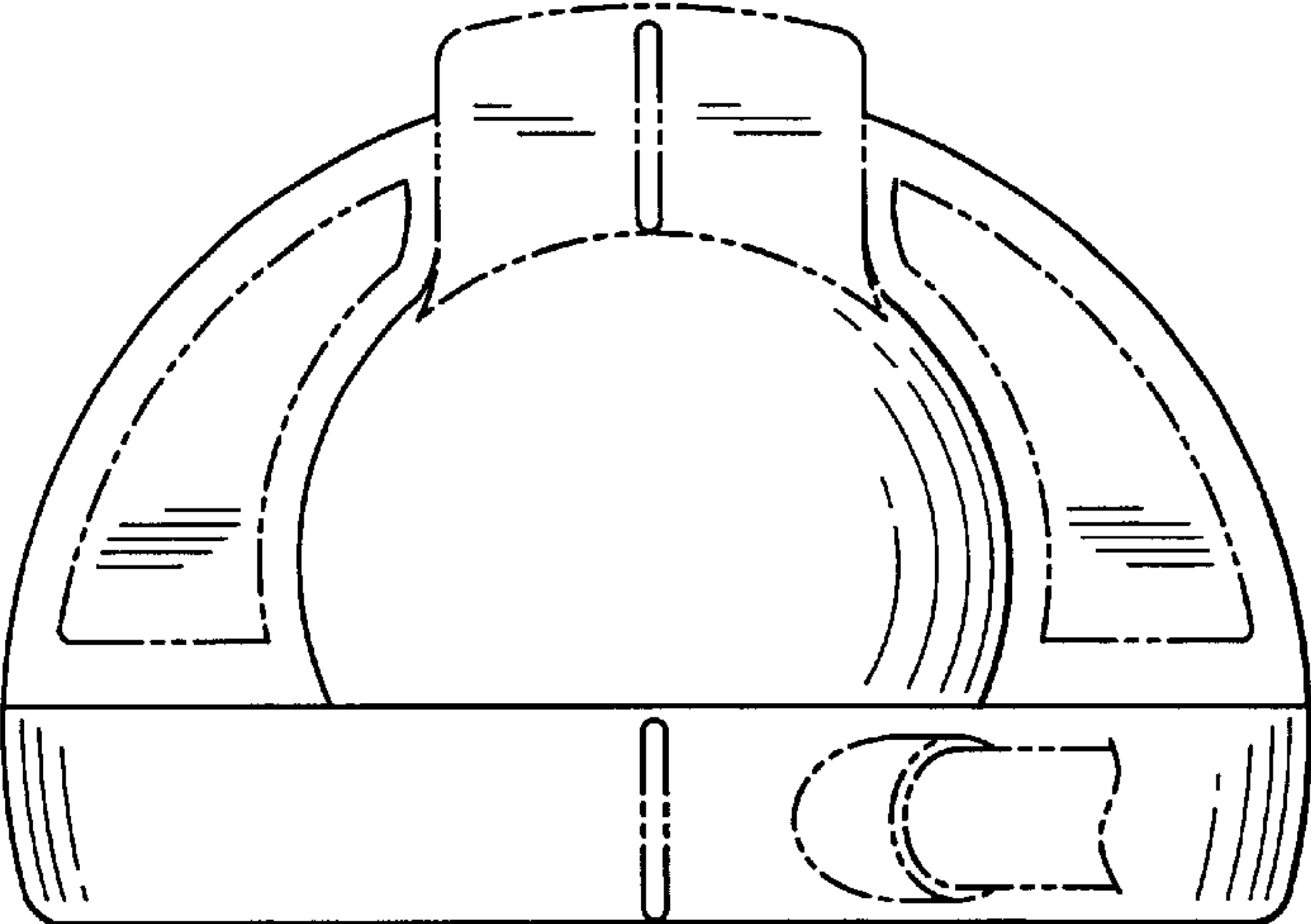


FIG. 6

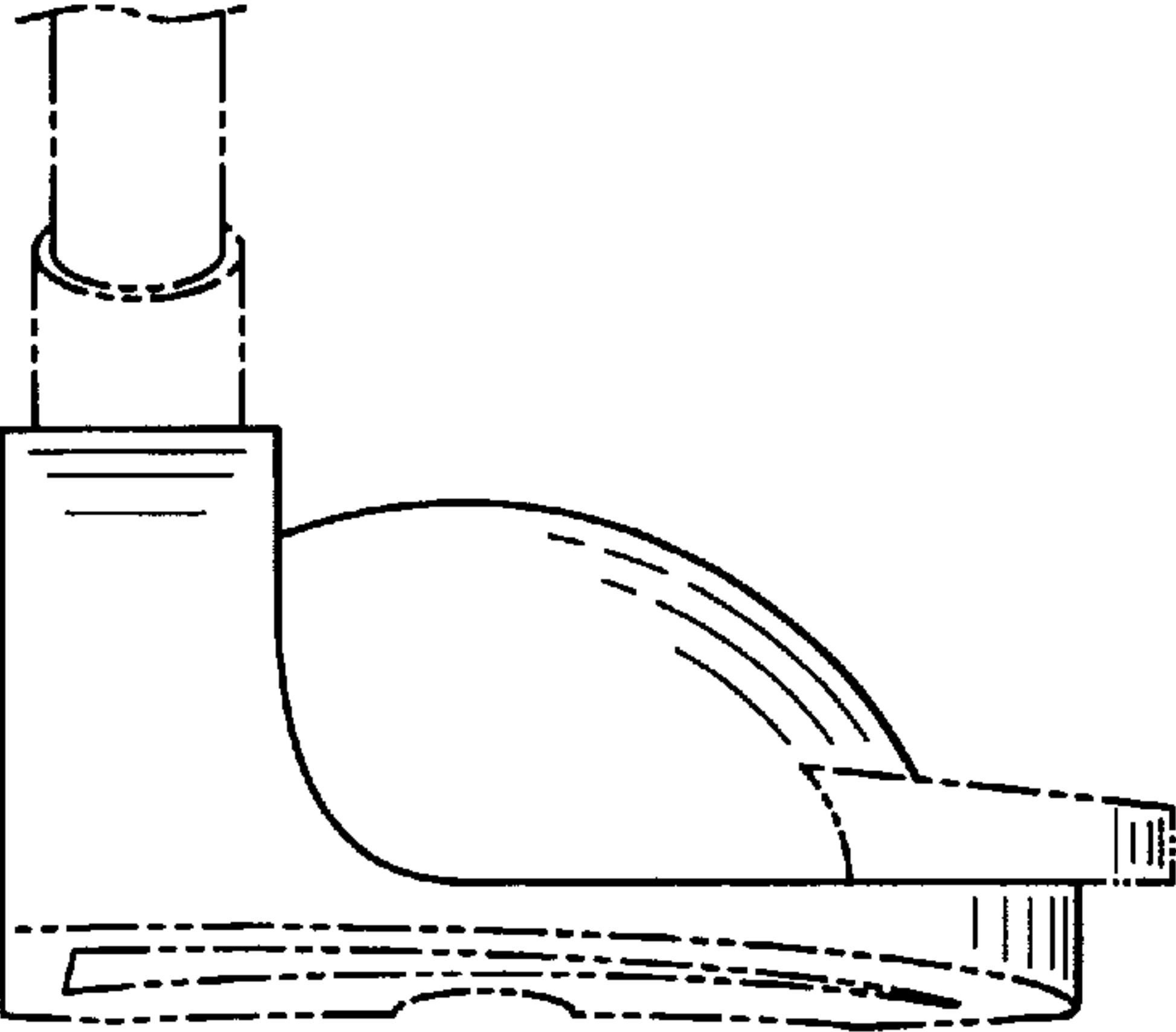


FIG. 7