



US00D521088S

(12) **United States Design Patent**
Mercier

(10) **Patent No.:** **US D521,088 S**

(45) **Date of Patent:** **** May 16, 2006**

(54) **PUTTER HEAD**

(76) **Inventor:** **Gilles Mercier**, 641 Old Hickory Blvd.,
Unit #309, Brentwood, TN (US) 37027

(**) **Term:** **14 Years**

(21) **Appl. No.:** **29/212,149**

(22) **Filed:** **Aug. 27, 2004**

(51) **LOC (8) Cl.** **21-02**

(52) **U.S. Cl.** **D21/736**

(58) **Field of Classification Search** D21/736-746;
473/324-331, 340, 341, 313, 251-256
See application file for complete search history.

(56) **References Cited**

U.S. PATENT DOCUMENTS

- D229,622 S * 12/1973 Barton D21/738
- D231,373 S * 4/1974 Pavelle D21/738
- D244,303 S * 5/1977 Cabot D21/739

- D354,104 S * 1/1995 Hardy D21/739
- 5,716,290 A * 2/1998 Baker et al. 473/313
- 6,267,689 B1 * 7/2001 Ambrose 473/251
- D496,972 S * 10/2004 Higbee D21/736
- D509,273 S * 9/2005 Morris et al. D21/742

* cited by examiner

Primary Examiner—Mitchell Siegel

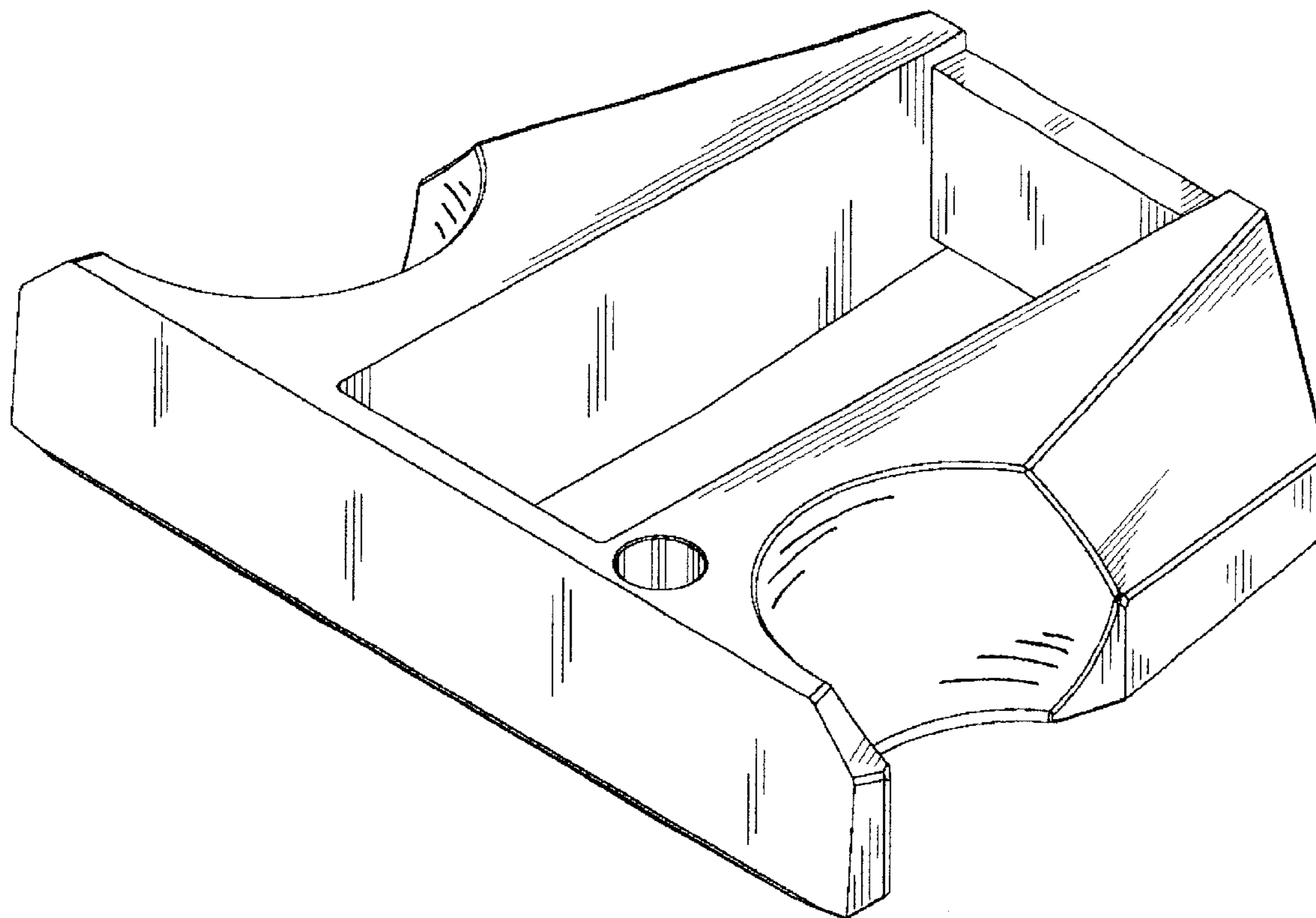
(57) **CLAIM**

The ornamental design for a putter head, as shown and described.

DESCRIPTION

FIG. 1 is a front perspective view of the putter head;
FIG. 2 is a rear perspective view thereof;
FIG. 3 is a top plan view thereof;
FIG. 4 is a front elevation view thereof;
FIG. 5 is a right elevation view thereof; and,
FIG. 6 is a bottom plan view thereof.

1 Claim, 3 Drawing Sheets



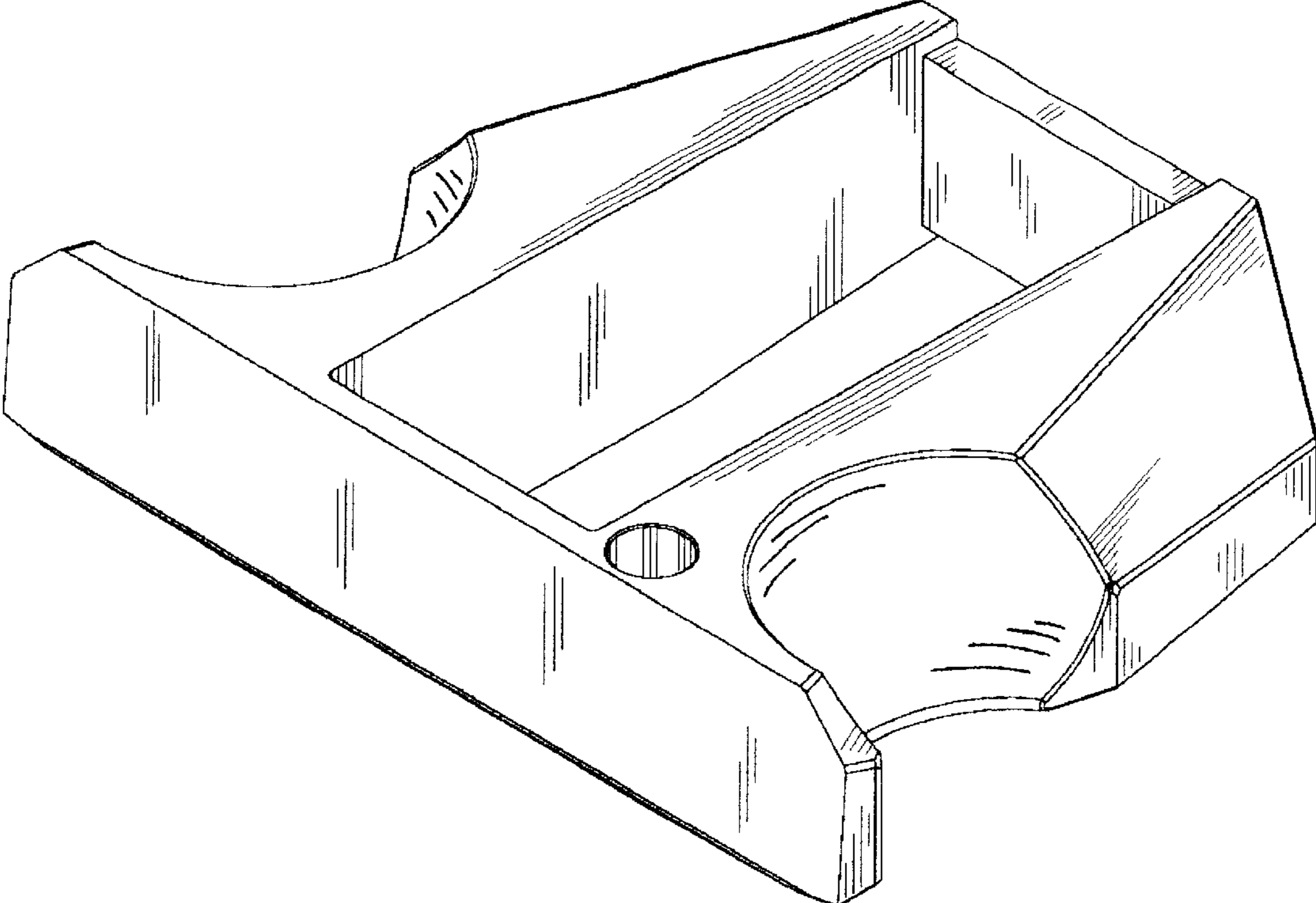


FIG. 1

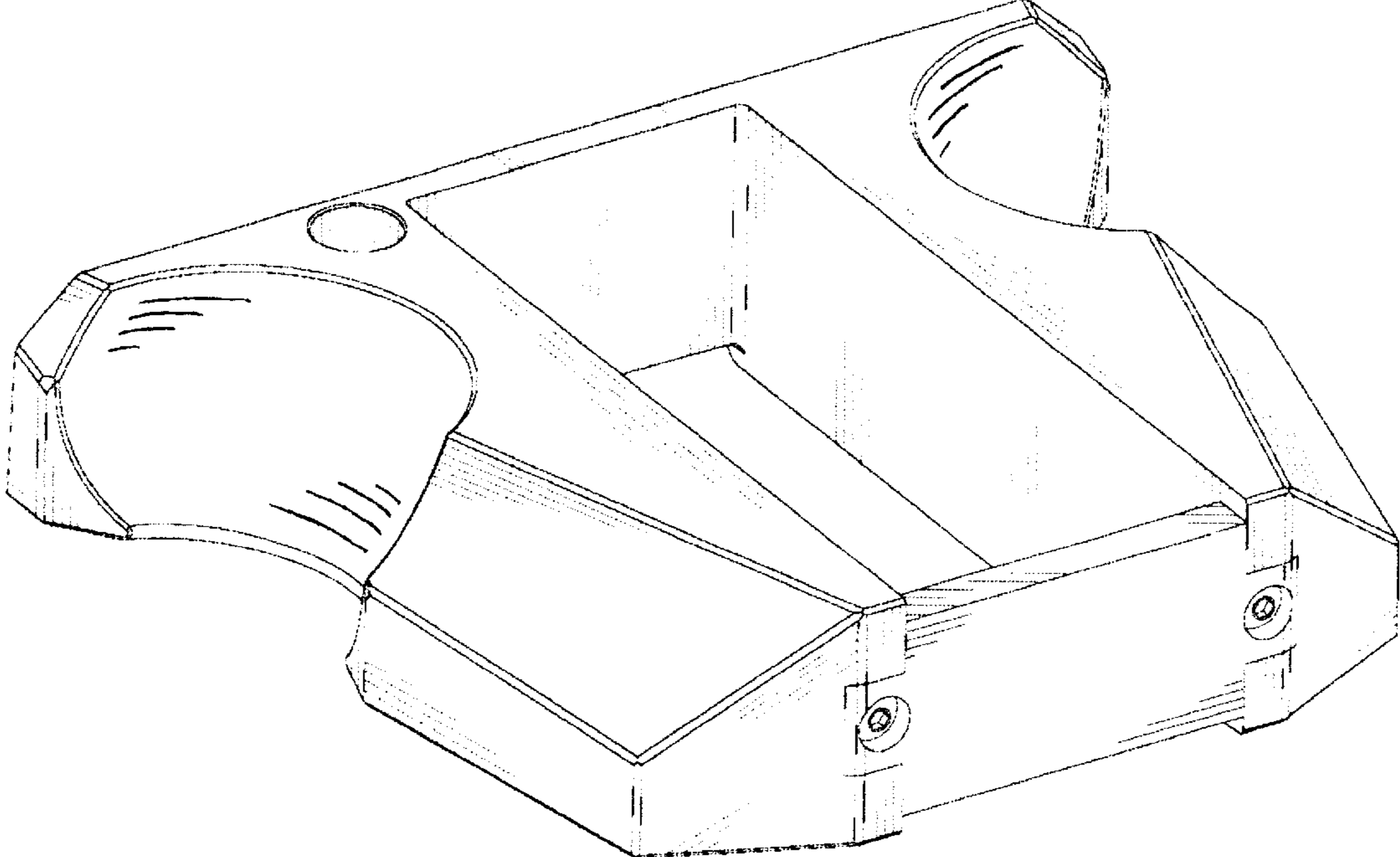


FIG. 2

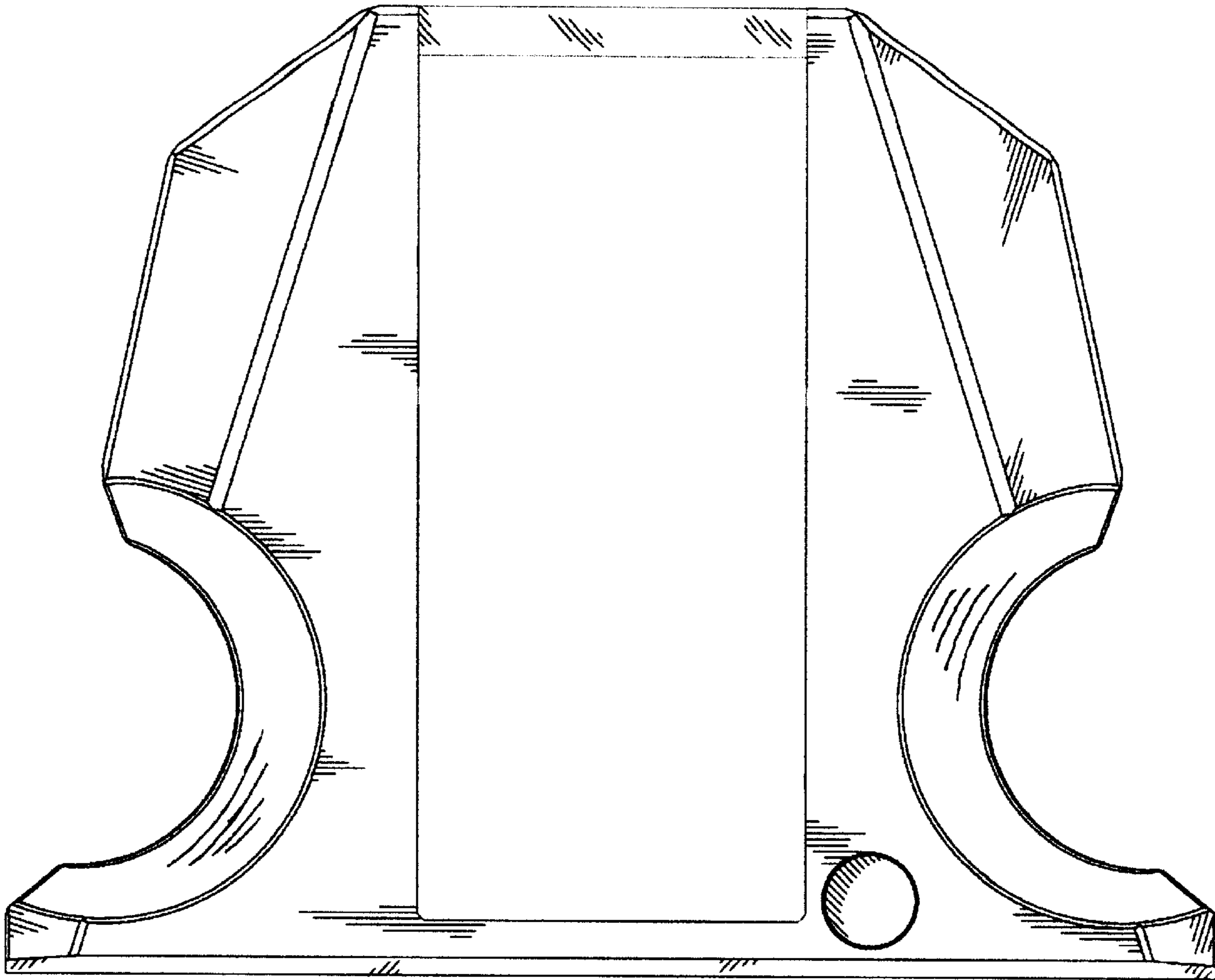


FIG. 3

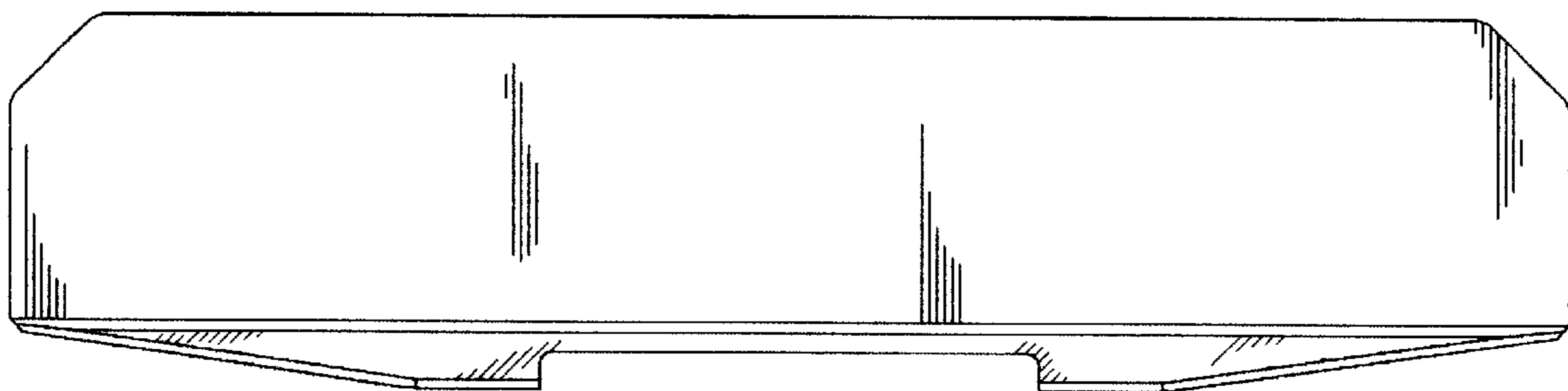


FIG. 4

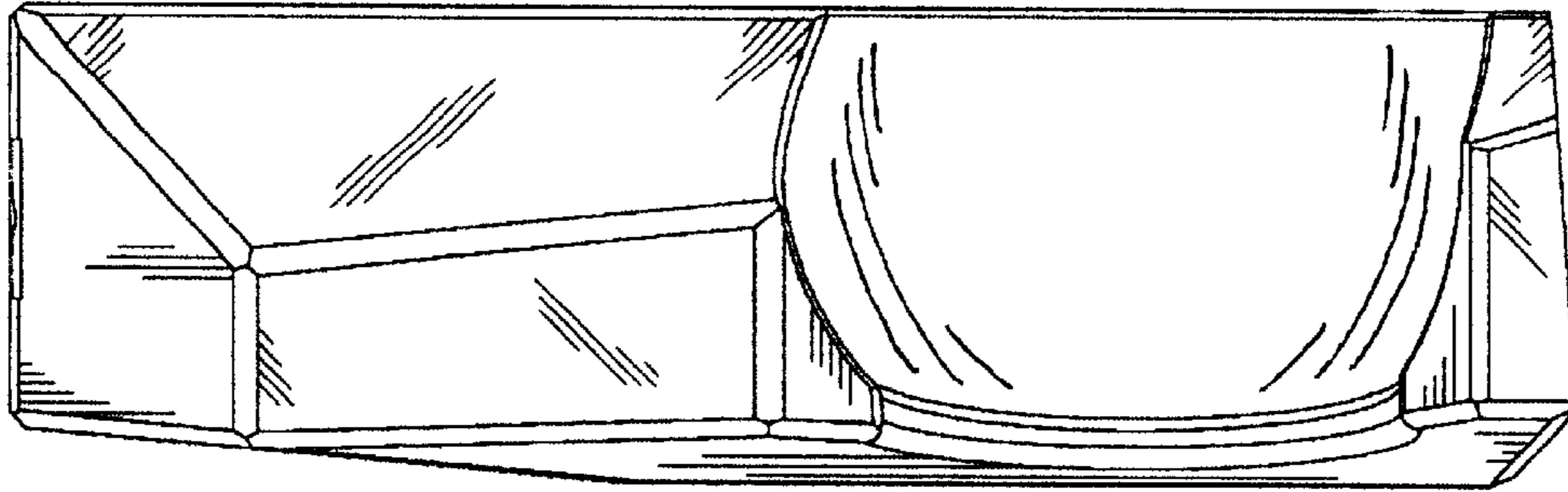


FIG. 5

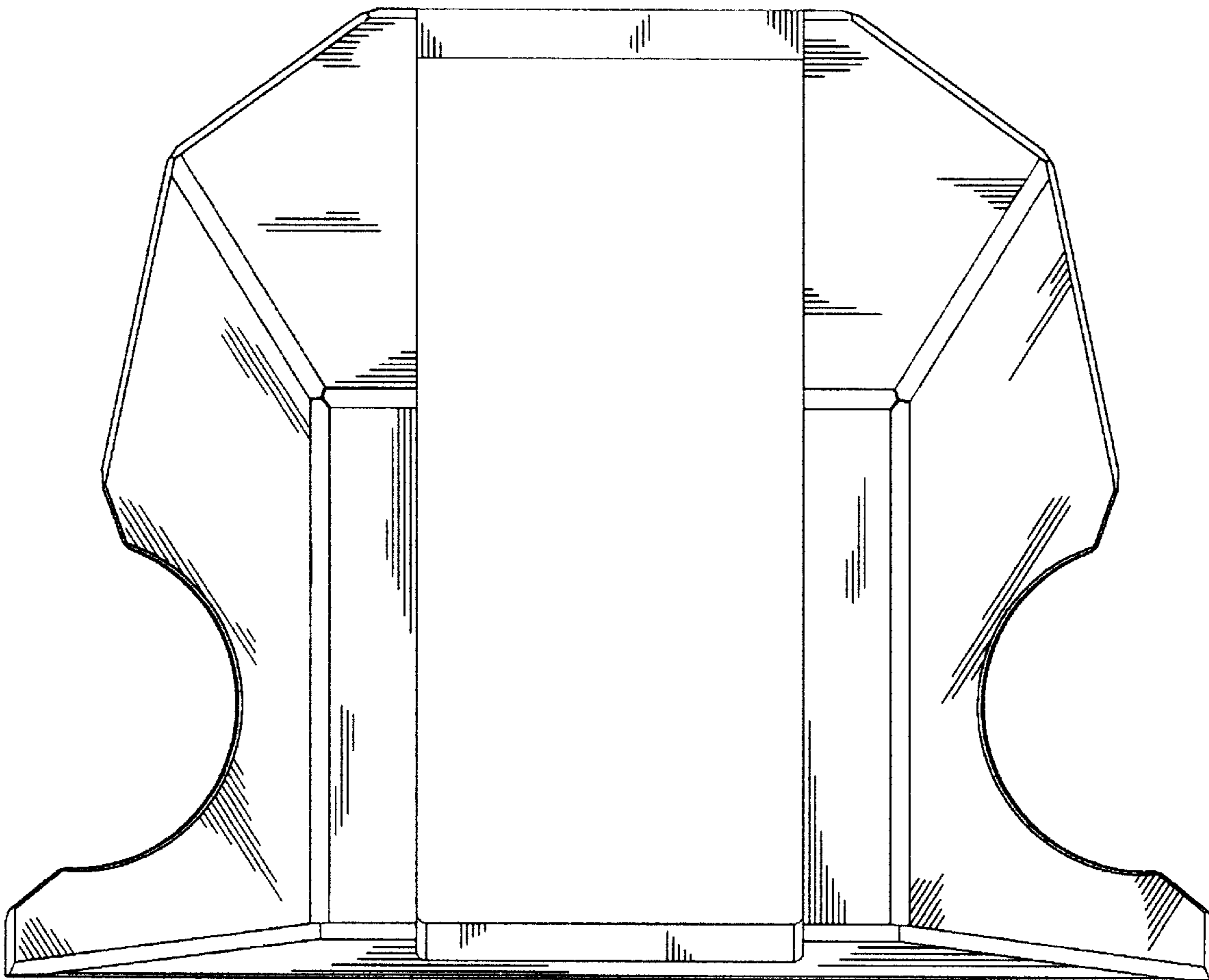


FIG. 6