



US00D521085S

(12) **United States Design Patent**
Kuo

(10) **Patent No.:** **US D521,085 S**

(45) **Date of Patent:** **** May 16, 2006**

(54) **BICYCLE EXERCISER**

(76) Inventor: **Hai-Pin Kuo**, No. 15, Lane 833, Wen Hsien Rd., Tainan (TW)

(**) Term: **14 Years**

(21) Appl. No.: **29/215,470**

(22) Filed: **Oct. 21, 2004**

(51) **LOC (8) Cl.** **21-02**

(52) **U.S. Cl.** **D21/666**

(58) **Field of Classification Search** D21/662,
D21/663, 664, 665, 666, 667, 668; 482/51,
482/52, 53, 57, 58, 59

See application file for complete search history.

(56) **References Cited**

U.S. PATENT DOCUMENTS

- D320,826 S * 10/1991 Hildebrandt et al. D21/666
- D340,758 S * 10/1993 Ueda D21/666
- D353,422 S * 12/1994 Bostic et al. D21/665
- D403,032 S * 12/1998 Huang D21/666

- D437,369 S * 2/2001 Tsushi D21/666
- D439,289 S * 3/2001 Moran et al. D21/666
- D461,210 S * 8/2002 Fon D21/666
- D479,865 S * 9/2003 Arai et al. D21/666

* cited by examiner

Primary Examiner—Philip S. Hyder

(74) *Attorney, Agent, or Firm*—Bacon & Thomas, PLLC

(57) **CLAIM**

The ornamental design for a bicycle exerciser, as shown.

DESCRIPTION

FIG. 1 is a perspective view of a bicycle exerciser showing my new design:

FIG. 2 is a front elevational view thereof;

FIG. 3 is a rear elevational view thereof;

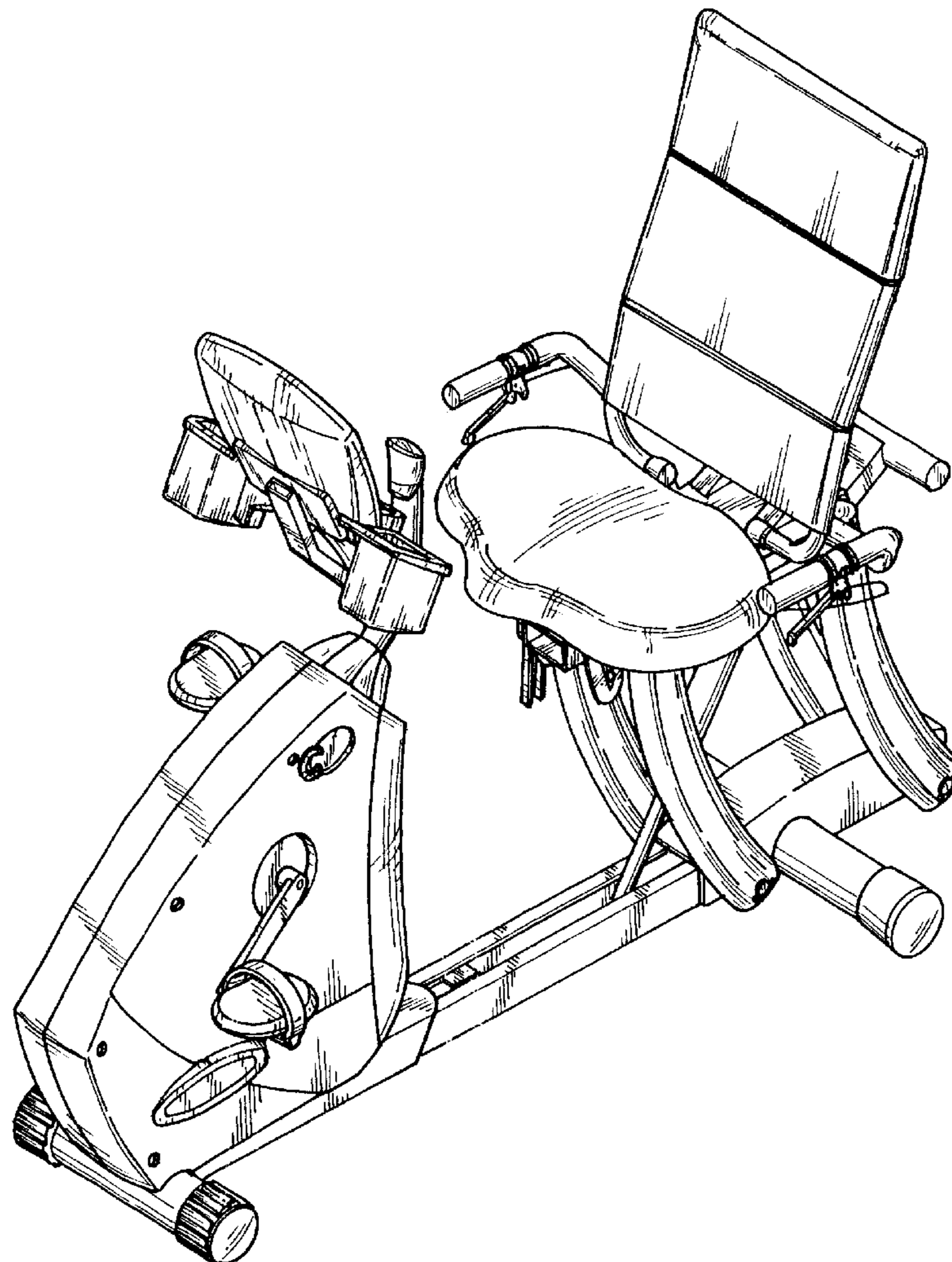
FIG. 4 is a left side view thereof;

FIG. 5 is a right side view thereof;

FIG. 6 is a top plan view thereof; and,

FIG. 7 is a bottom plan view thereof.

1 Claim, 7 Drawing Sheets



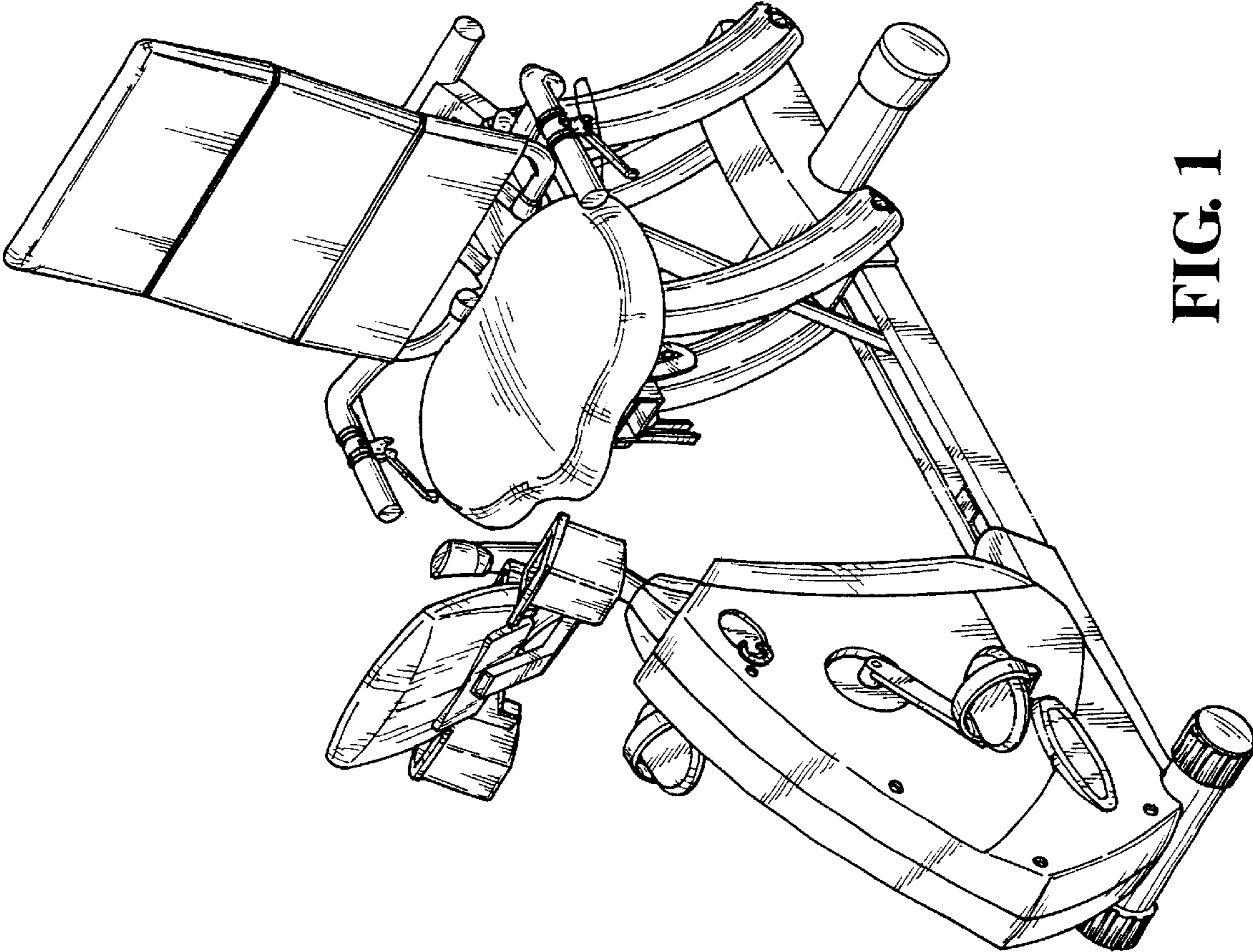


FIG. 1

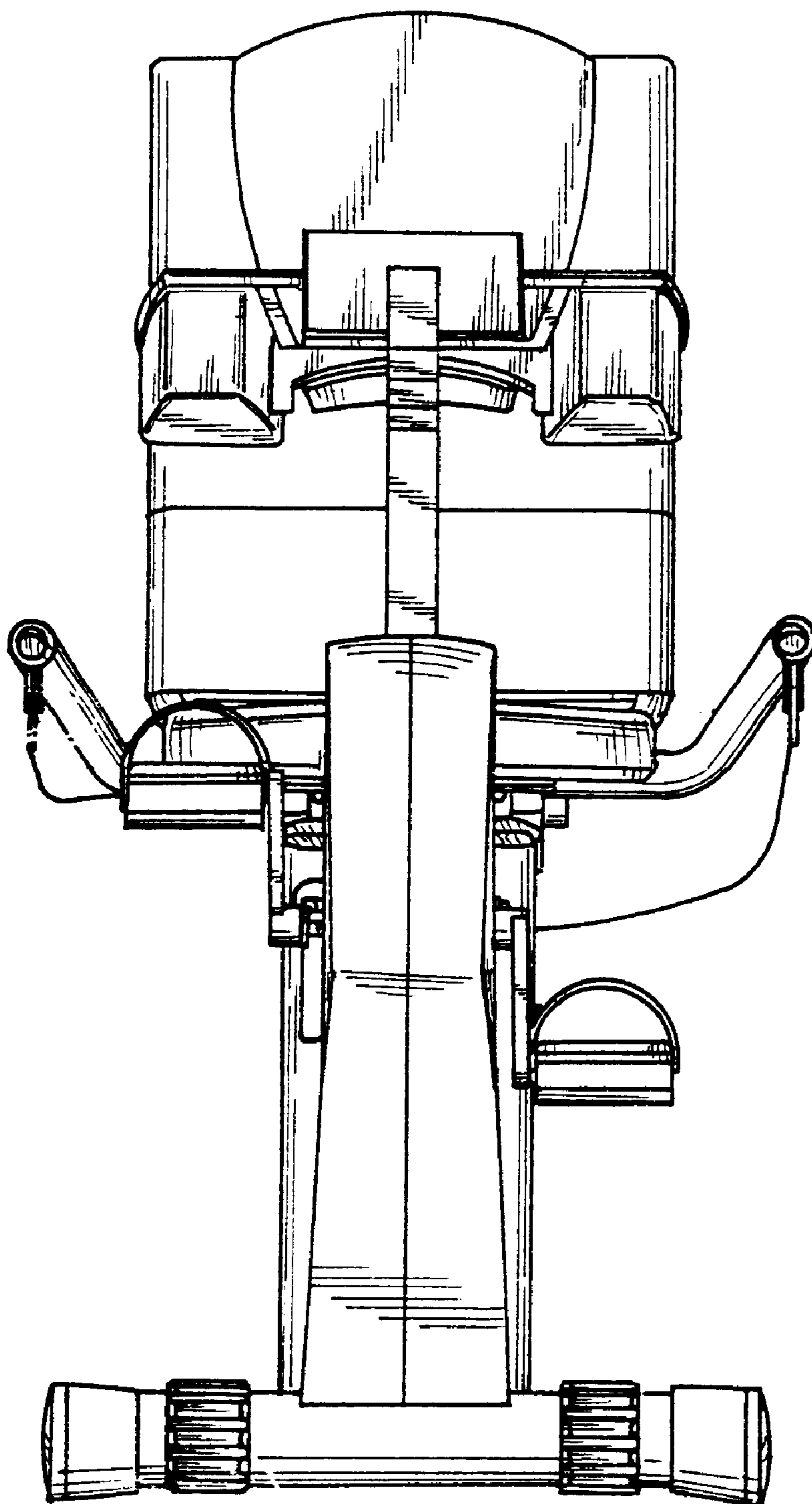


FIG. 2

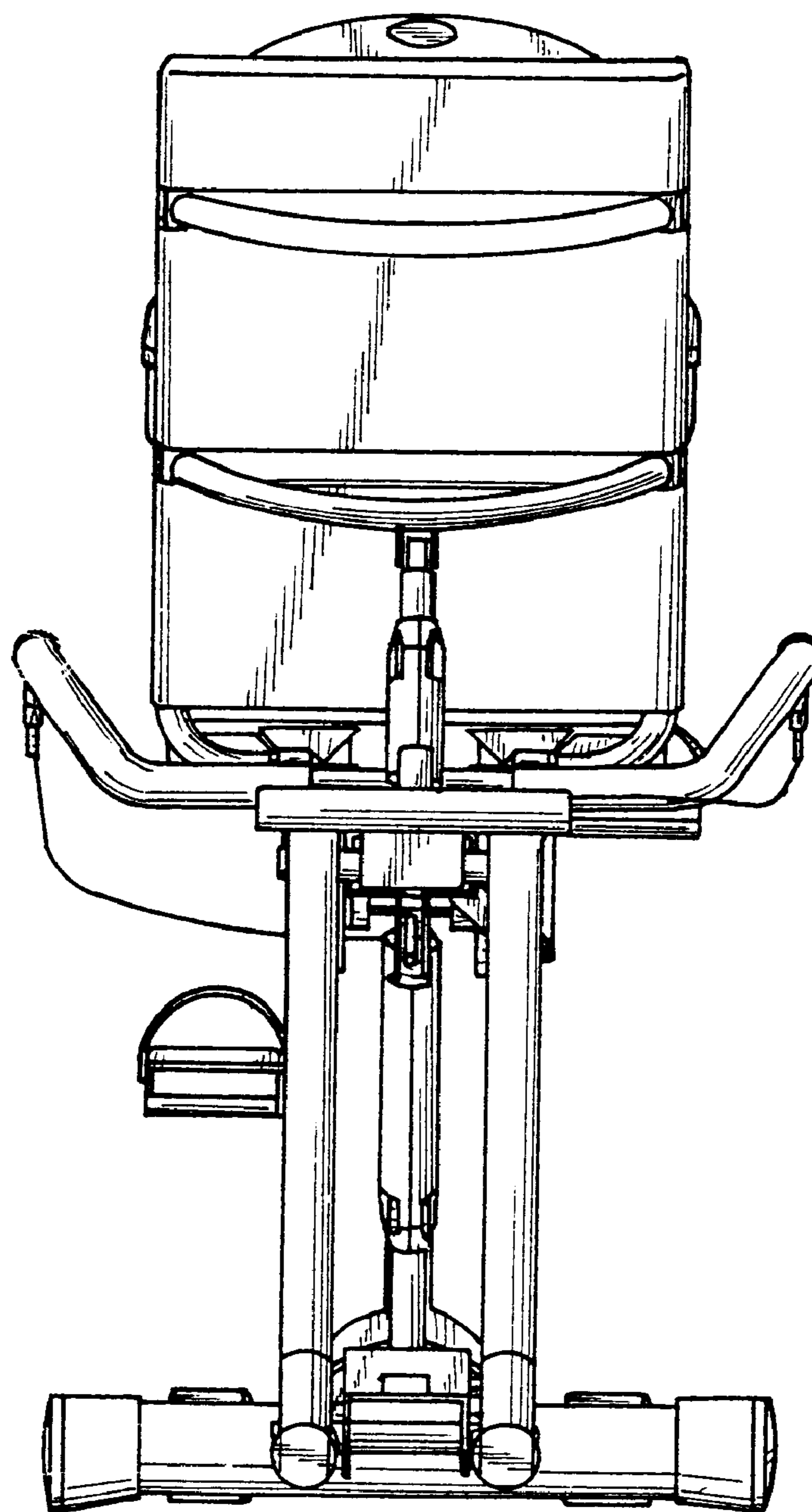


FIG. 3

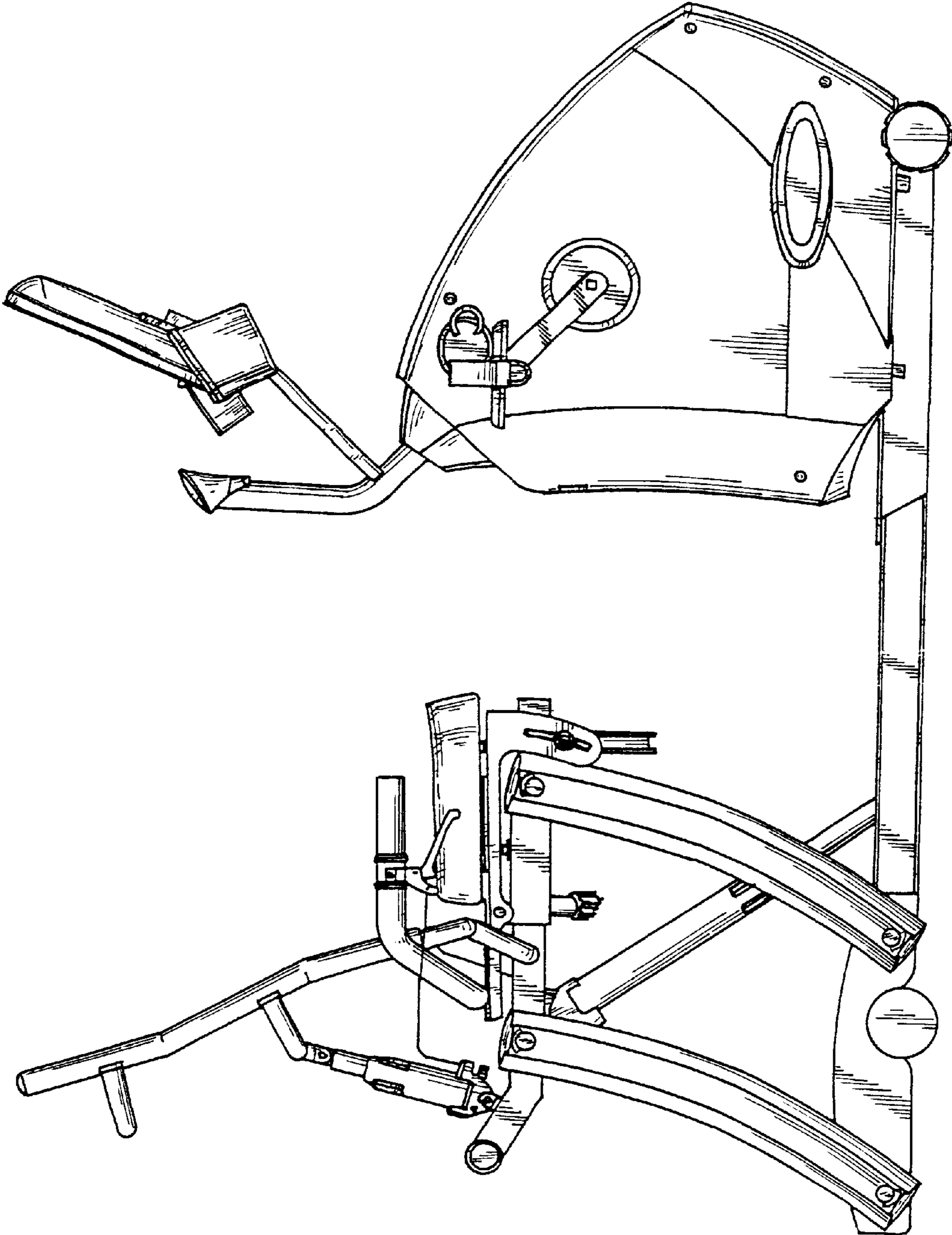


FIG. 4

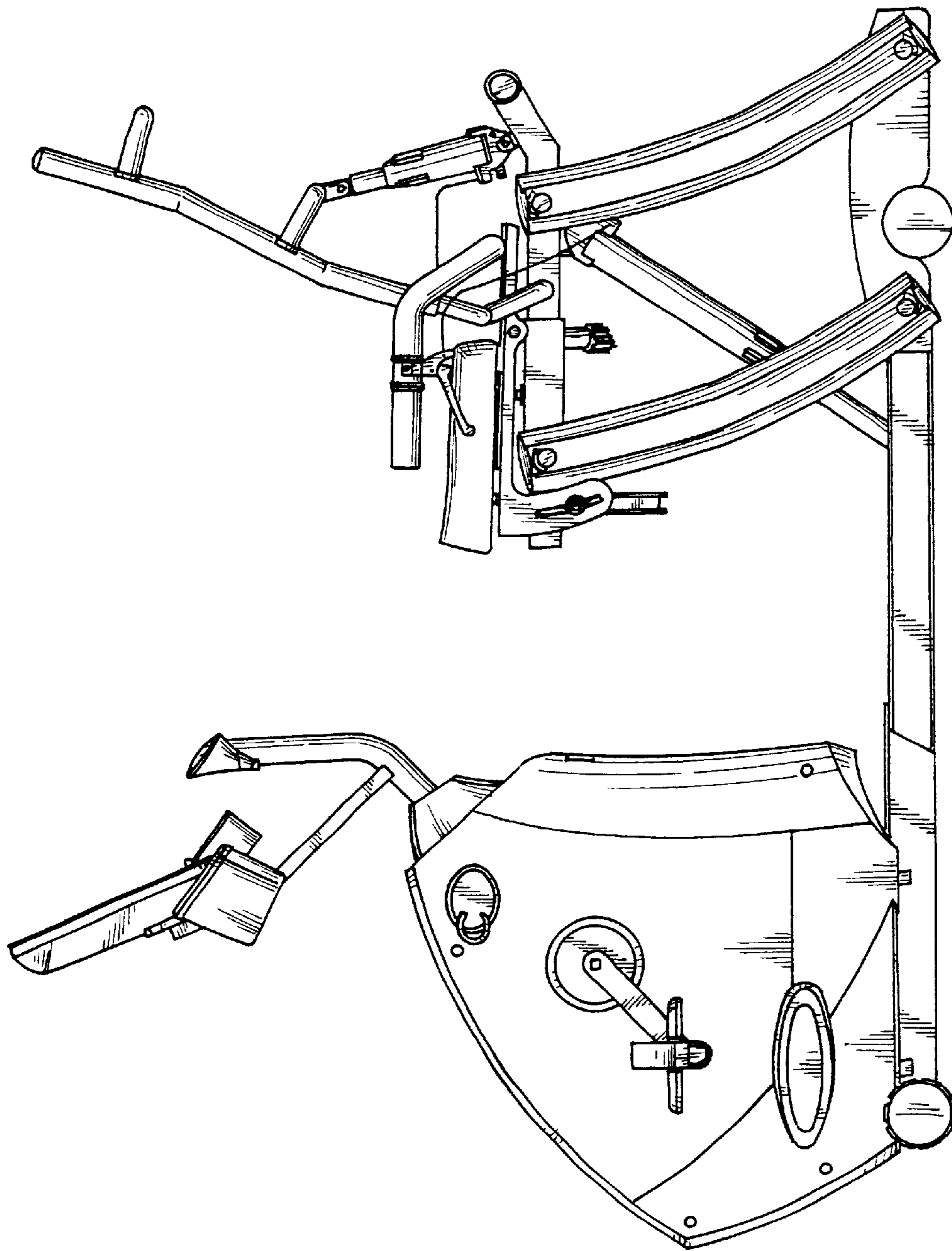


FIG. 5

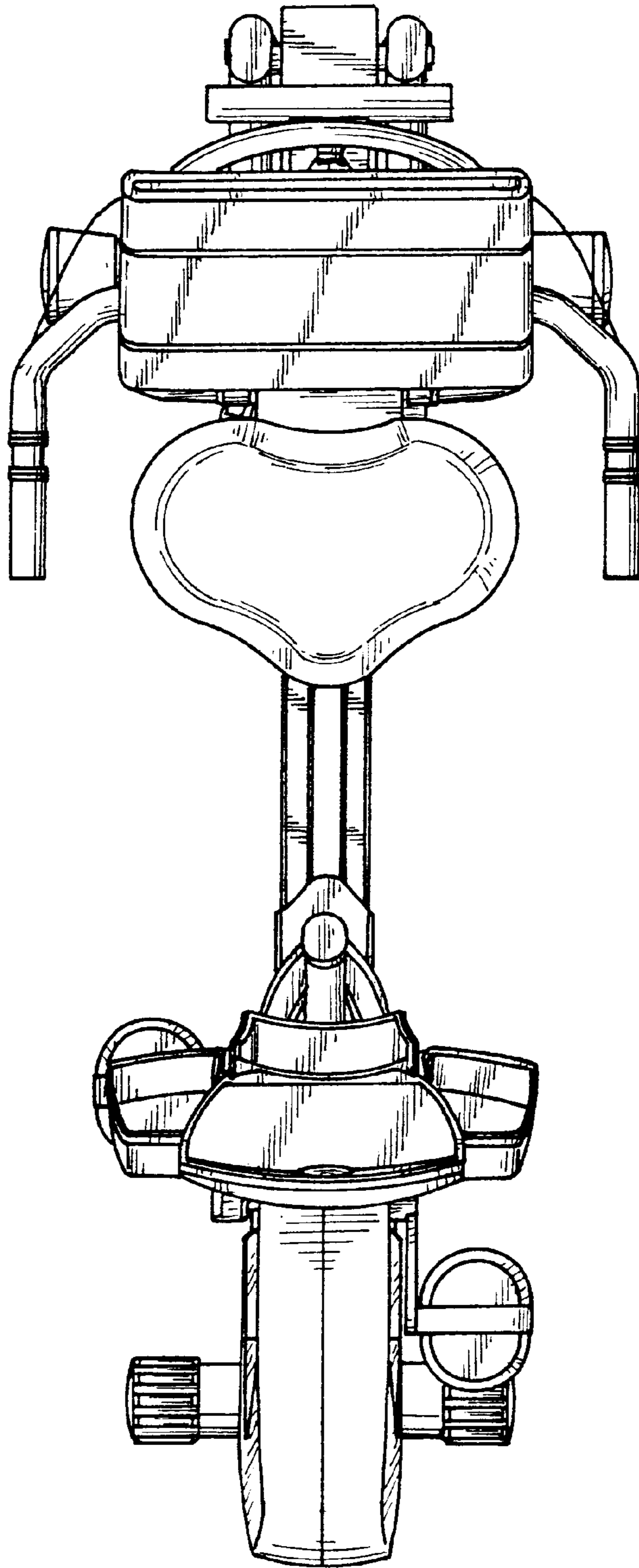


FIG. 6

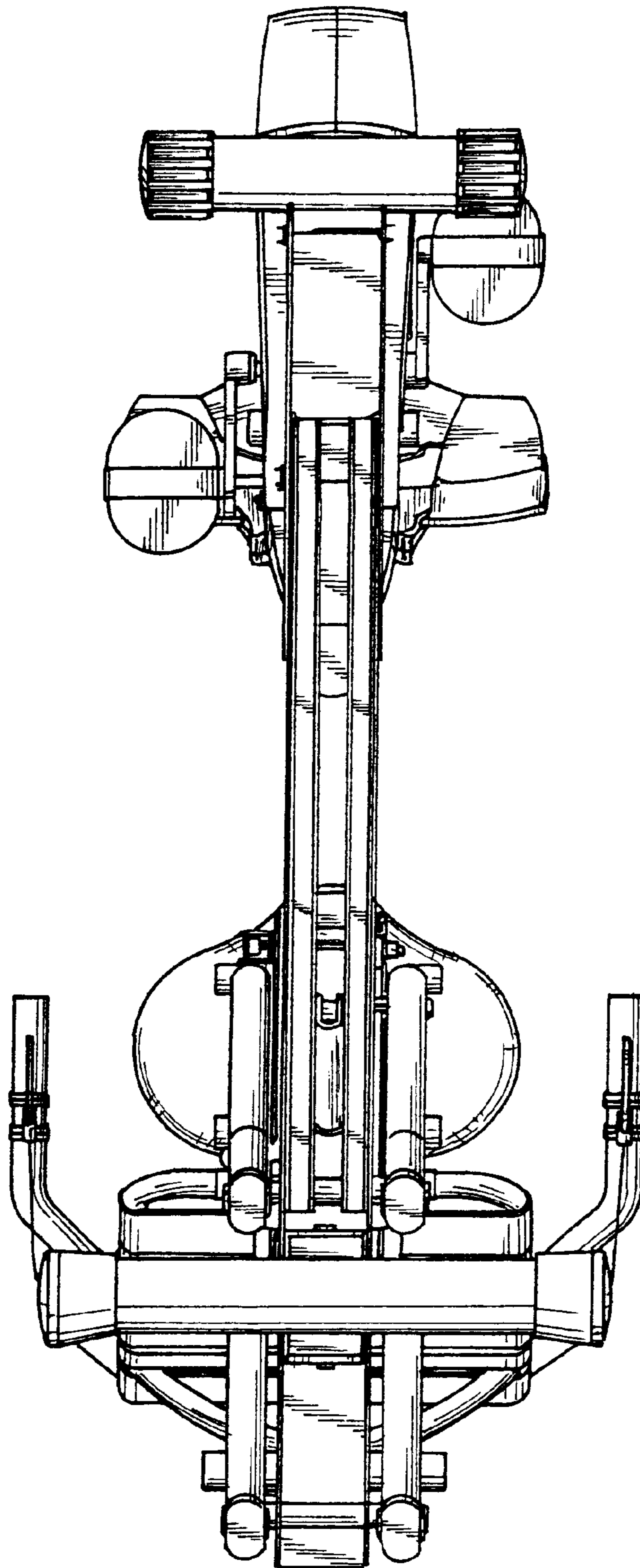


FIG. 7