



US00D521082S

(12) **United States Design Patent** (10) **Patent No.:** **US D521,082 S**  
**Lau** (45) **Date of Patent:** **\*\* May 16, 2006**

(54) **DOMINO TOY**

(75) Inventor: **Yuk Fai Lau**, Kowloon (HK)

(73) Assignee: **Tai Way (Shing Kee) Toys Co. Ltd.**,  
Kowloon (HK)

(\*\*) Term: **14 Years**

(21) Appl. No.: **29/207,049**

(22) Filed: **Jun. 9, 2004**

(51) **LOC (8) Cl.** ..... **21-01**

(52) **U.S. Cl.** ..... **D21/530**

(58) **Field of Classification Search** ..... D21/391,  
D21/483, 530, 590, 814, 816, 818-821, 828;  
446/2, 476; 482/35

See application file for complete search history.

(56) **References Cited**

**U.S. PATENT DOCUMENTS**

D323,194 S	*	1/1992	Conti et al.	.....	D21/530
D330,744 S	*	11/1992	Matsch	.....	D21/821
D393,685 S	*	4/1998	Peritz	.....	D21/814
D413,370 S	*	8/1999	Kirn et al.	.....	D21/814

\* cited by examiner

*Primary Examiner*—Holly Baynham  
*Assistant Examiner*—Cynthia M. Chin

(74) *Attorney, Agent, or Firm*—Rabin & Berdo, P.C.

(57) **CLAIM**

The ornamental design for a domino toy, as shown and described.

**DESCRIPTION**

The application file contains at least one drawing executed in color. Copies of this patent of patent application publication with color drawing(s) will be provided by the Office upon request and payment of the necessary fee.

FIG. 1 is a front of a domino toy showing my new design; FIG. 2 is a rear view thereof; FIG. 3 is a top plan view thereof; FIG. 4 is a bottom plan view thereof; FIG. 5 is left side view a thereof; FIG. 6 is a right side view thereof; and, FIG. 7 is a perspective view thereof.

**1 Claim, 2 Drawing Sheets**

**(2 of 2 Drawing Sheet(s) Filed in Color)**

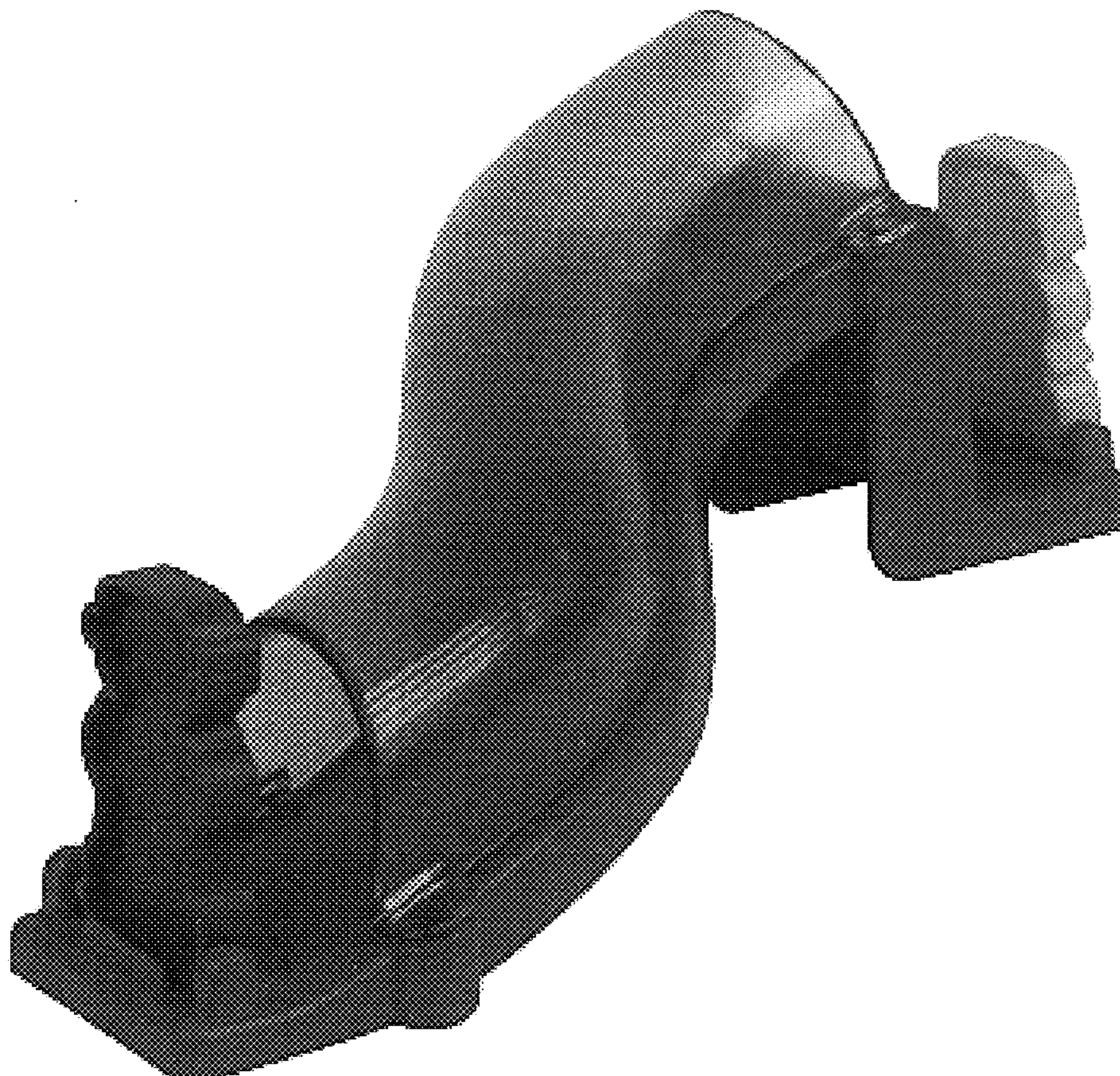




FIG. 3

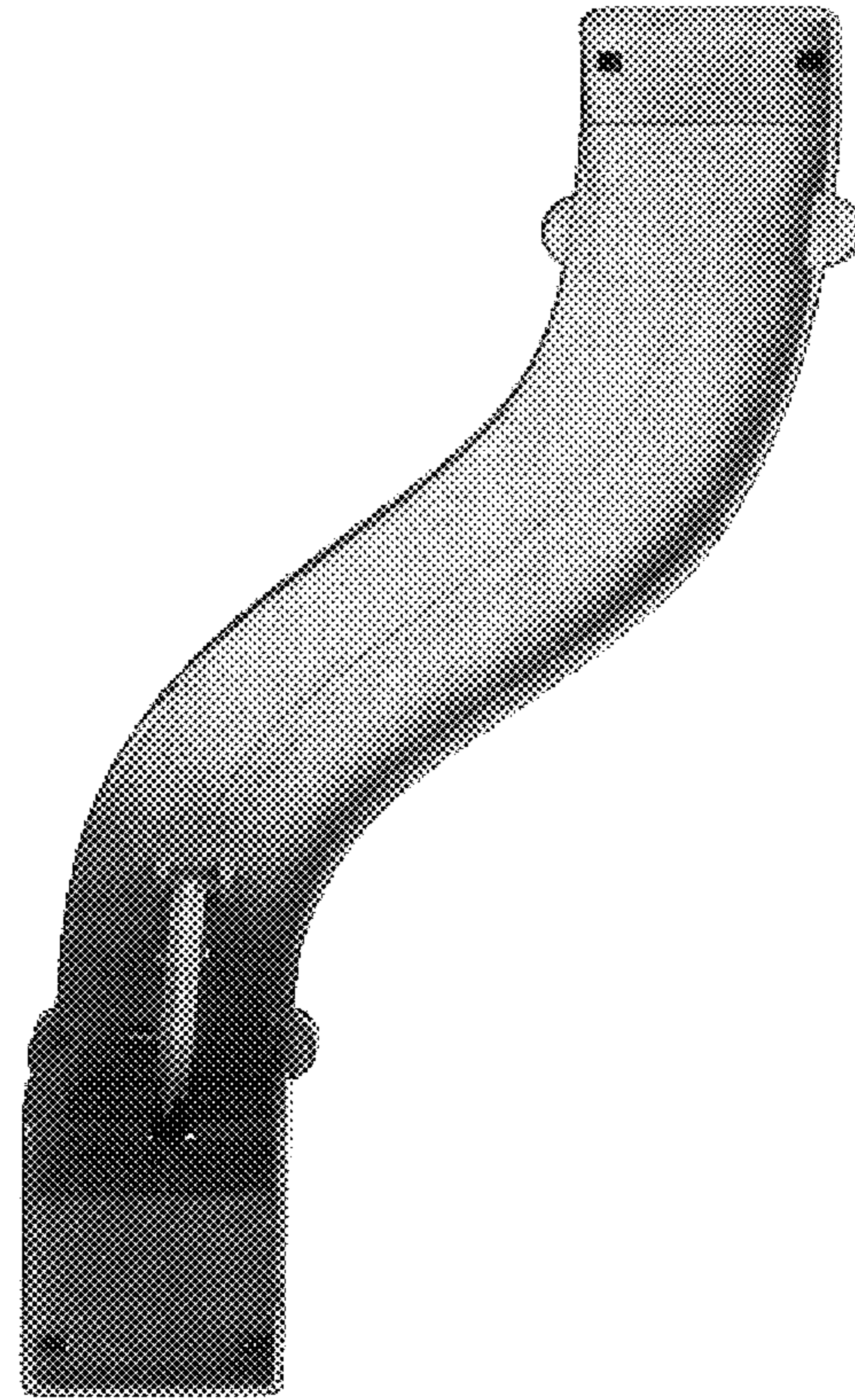


FIG. 4

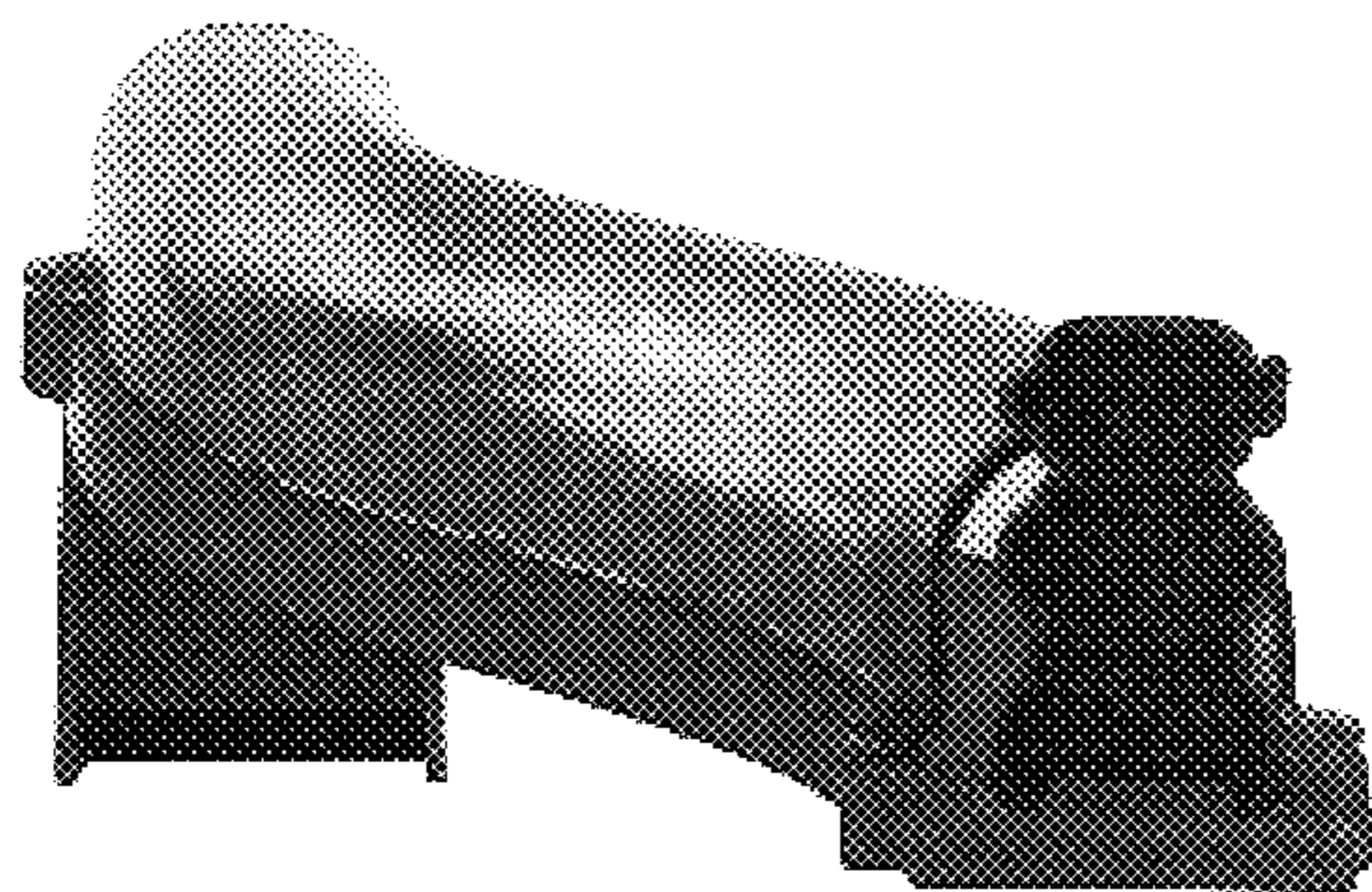


FIG. 1

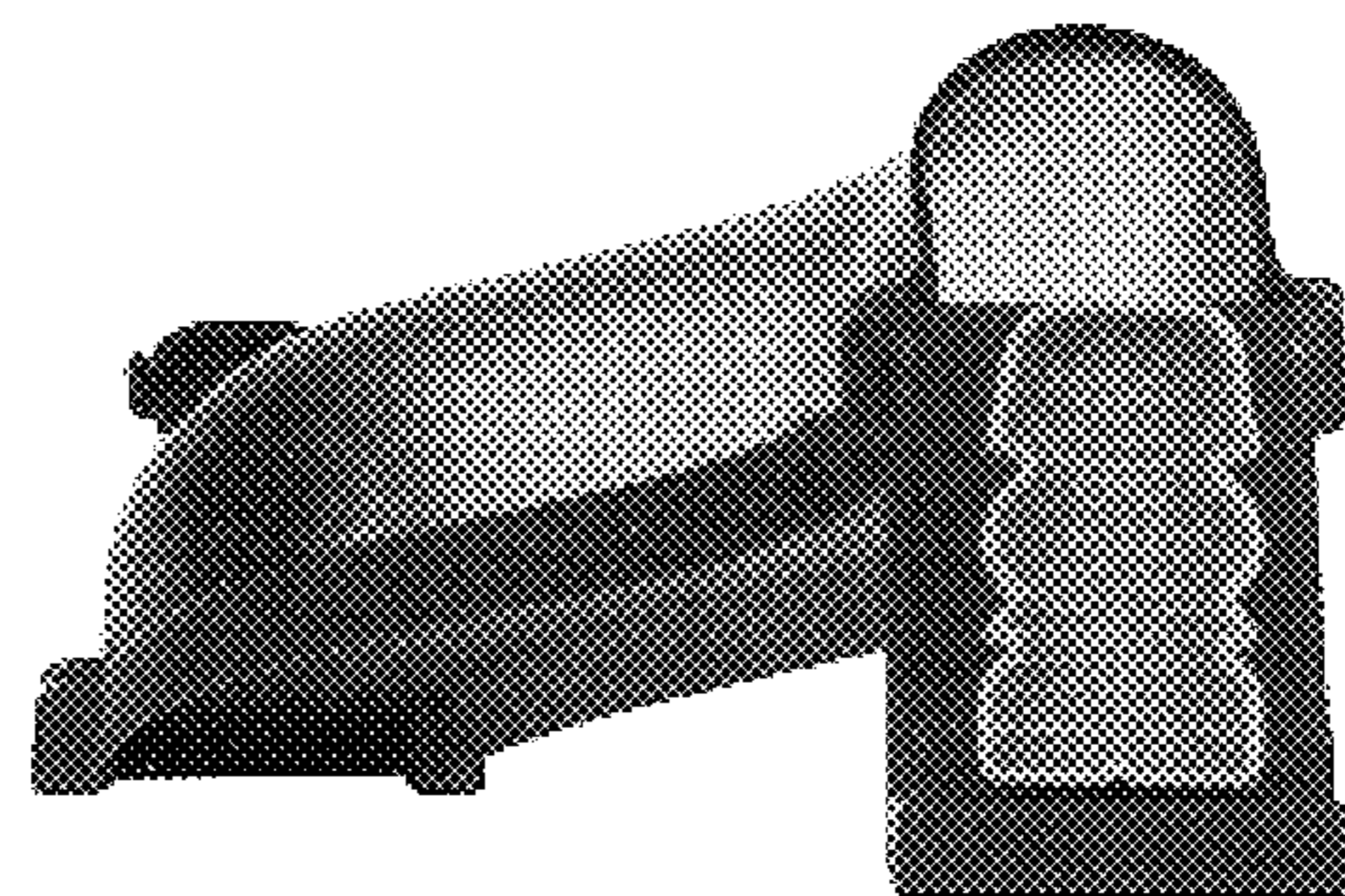


FIG. 2

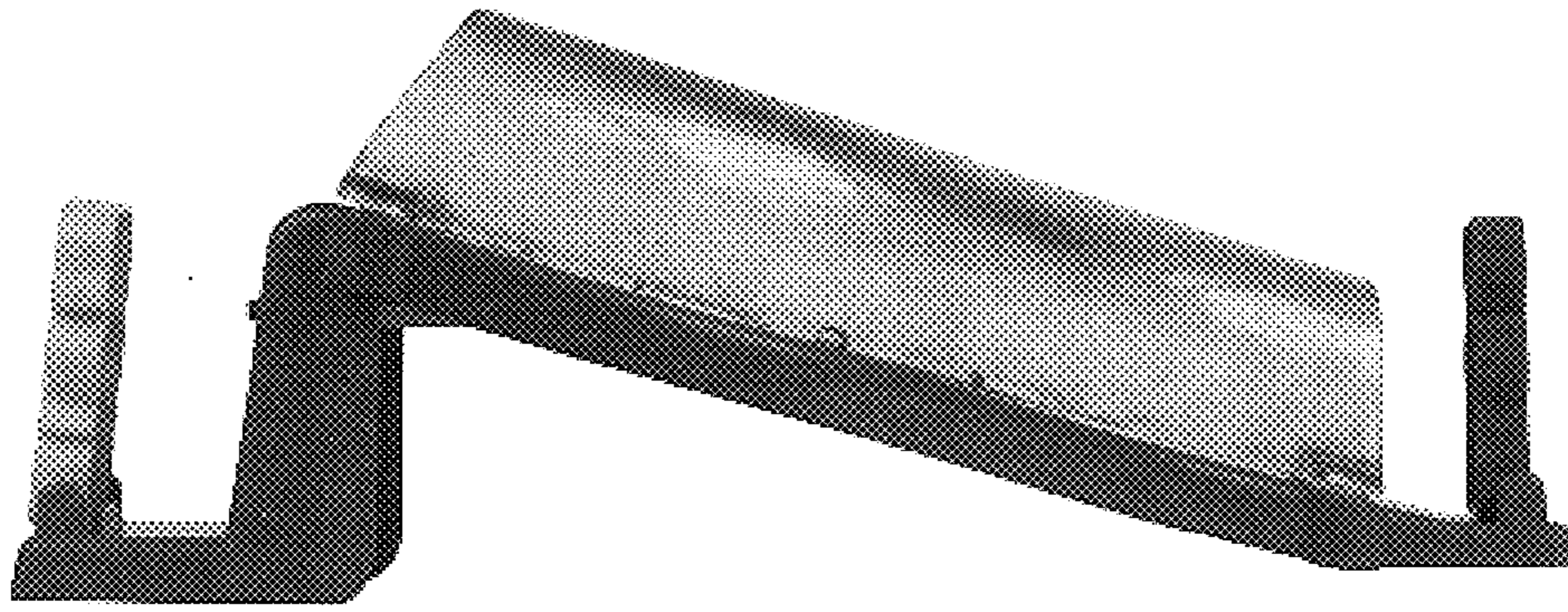


FIG. 5

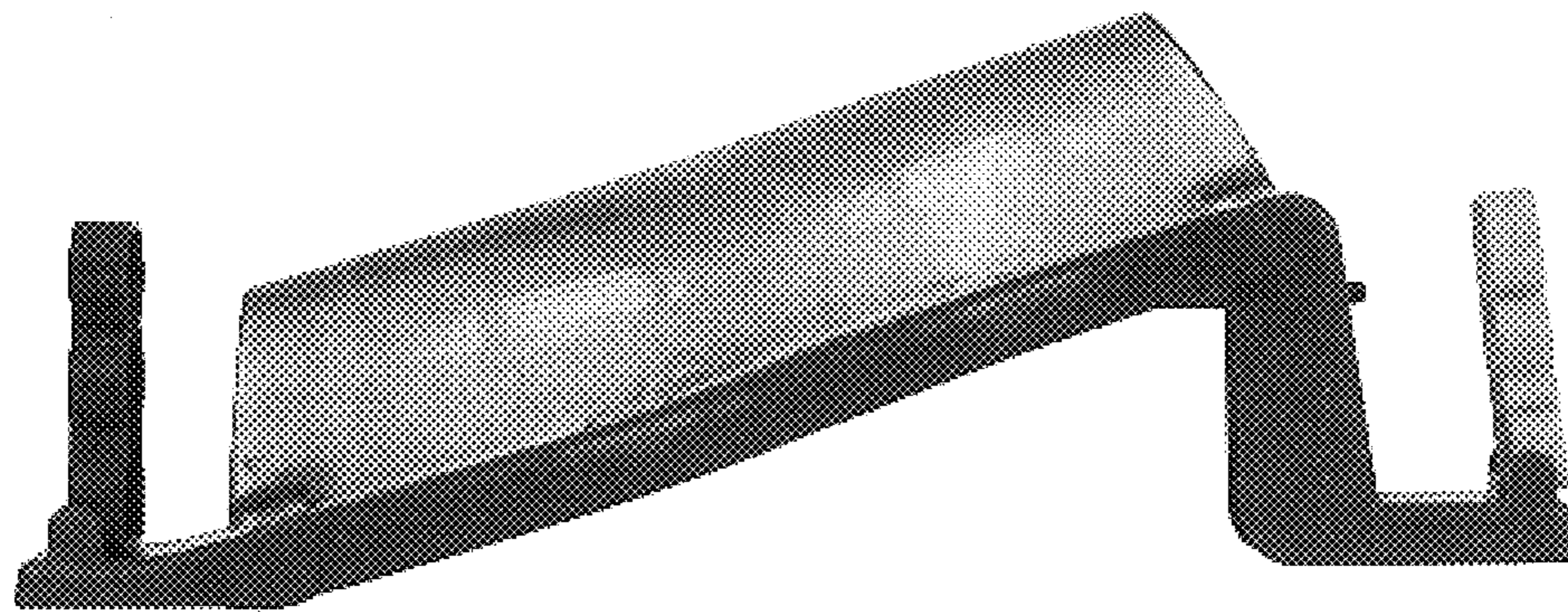


FIG. 6

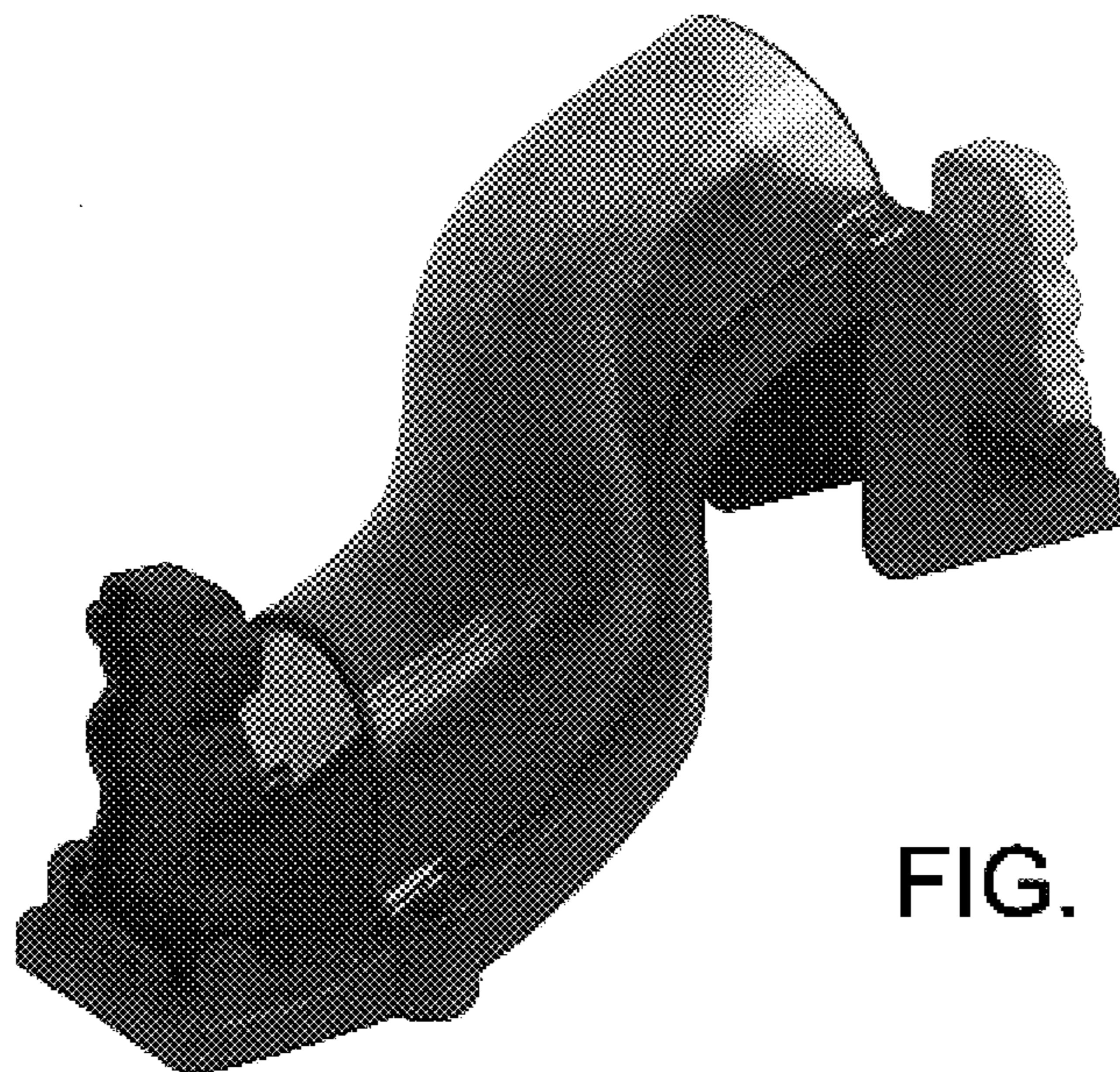


FIG. 7