

US00D521081S

(12) **United States Design Patent**
Lau

(10) **Patent No.:** **US D521,081 S**

(45) **Date of Patent:** **** May 16, 2006**

(54) **DOMINO TOY**

(75) Inventor: **Yuk Fai Lau**, Kowloon (HK)

(73) Assignee: **Tai Ways (Shing Kee) Toys Co. Ltd.**,
Kowloon (HK)

(**) Term: **14 Years**

(21) Appl. No.: **29/207,048**

(22) Filed: **Jun. 9, 2004**

(51) **LOC (8) Cl.** **21-01**

(52) **U.S. Cl.** **D21/530**

(58) **Field of Classification Search** D21/391,
D21/483, 530, 590, 814, 816, 818, 823, 826;
446/2; 482/35, 38

See application file for complete search history.

(56) **References Cited**

U.S. PATENT DOCUMENTS

D180,902 S	*	9/1957	Gourdie et al.	D21/826
D323,194 S	*	1/1992	Conti et al.	D21/530
D347,458 S	*	5/1994	Cunard et al.	D21/818
D483,429 S	*	12/2003	Tseng	D21/823
2002/0091041 A1	*	7/2002	Mantooth	482/35

* cited by examiner

Primary Examiner—Holly Baynham

Assistant Examiner—Cynthia M. Chin

(74) *Attorney, Agent, or Firm*—Rabin & Berdo, P.C.

(57) **CLAIM**

The ornamental design for a domino toy, as shown and described.

DESCRIPTION

This application file contains at least one drawing executed in color. Copies of this patent or patent application publication with color drawing(s) will be provided by the Office upon request and payment of the necessary fee.

FIG. 1 is a front view of a domino toy showing my new design;

FIG. 2 is a rear view thereof;

FIG. 3 is a top plan view thereof;

FIG. 4 is a bottom plan view thereof;

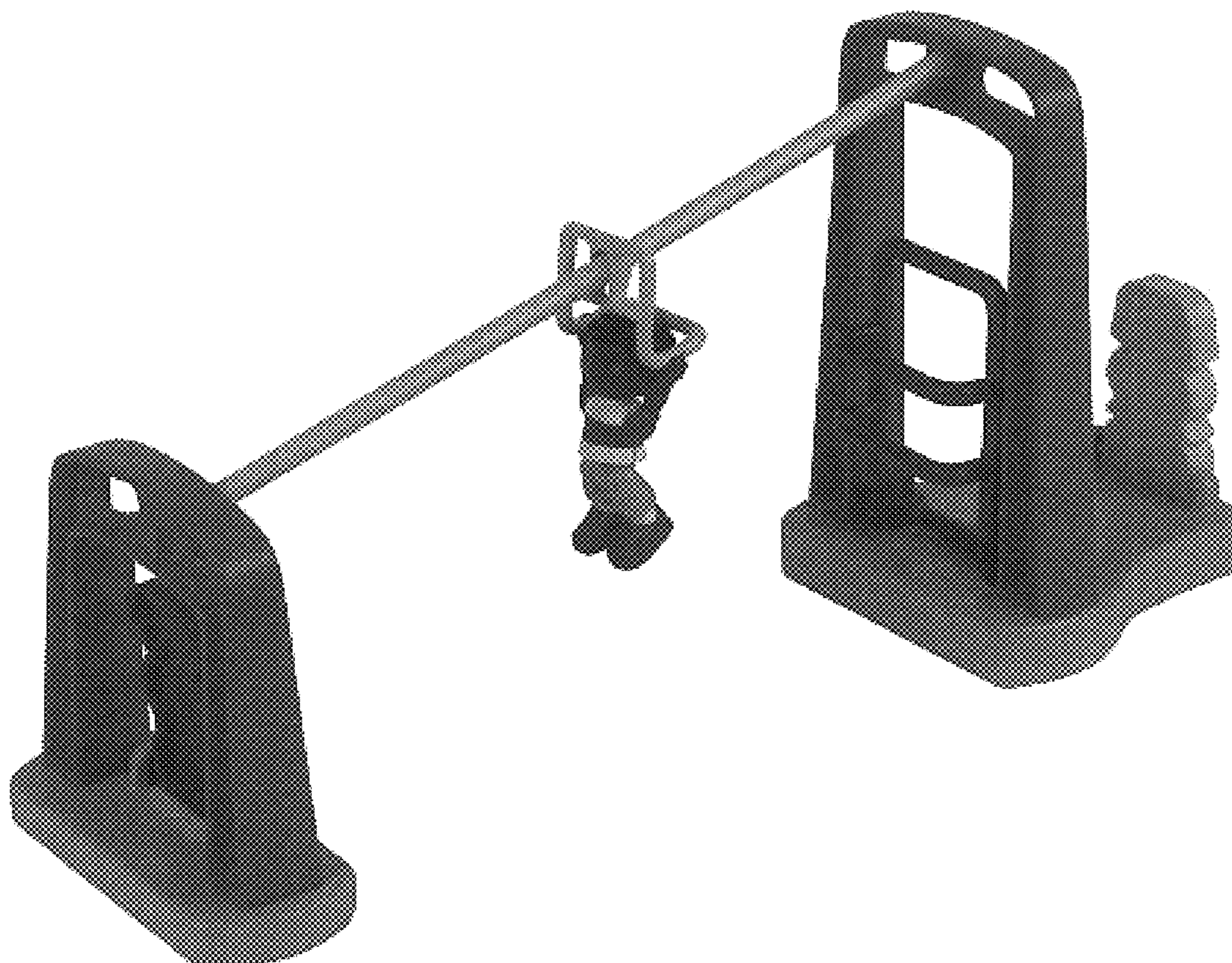
FIG. 5 is a left side view a thereof;

FIG. 6 is a right side view thereof; and,

FIG. 7 is a perspective view thereof.

1 Claim, 2 Drawing Sheets

(2 of 2 Drawing Sheet(s) Filed in Color)



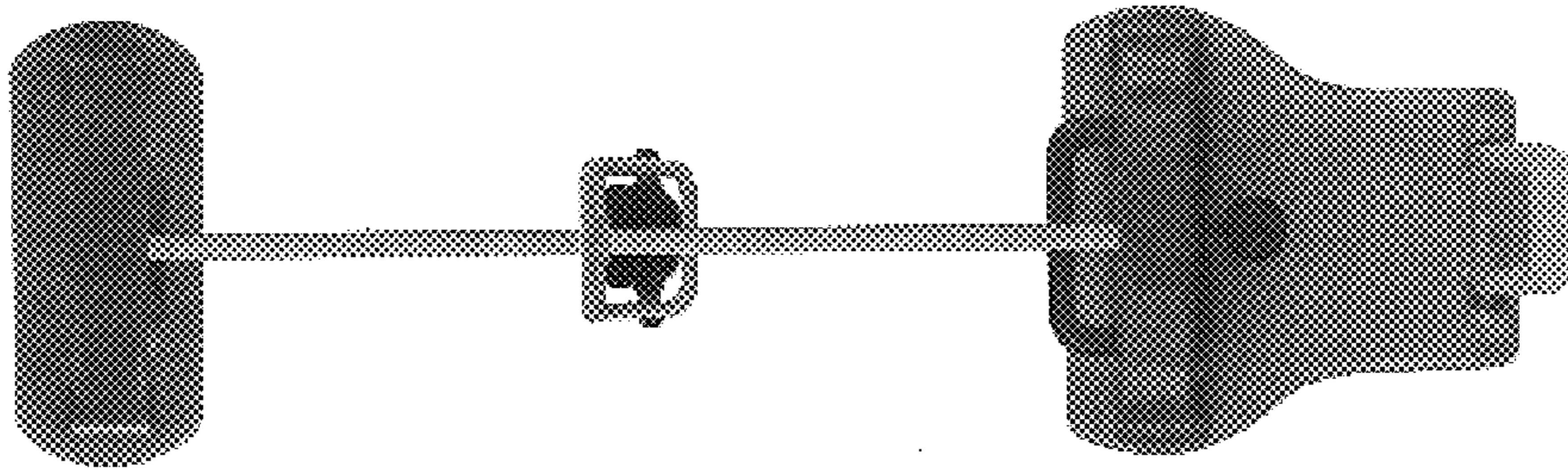


FIG. 3

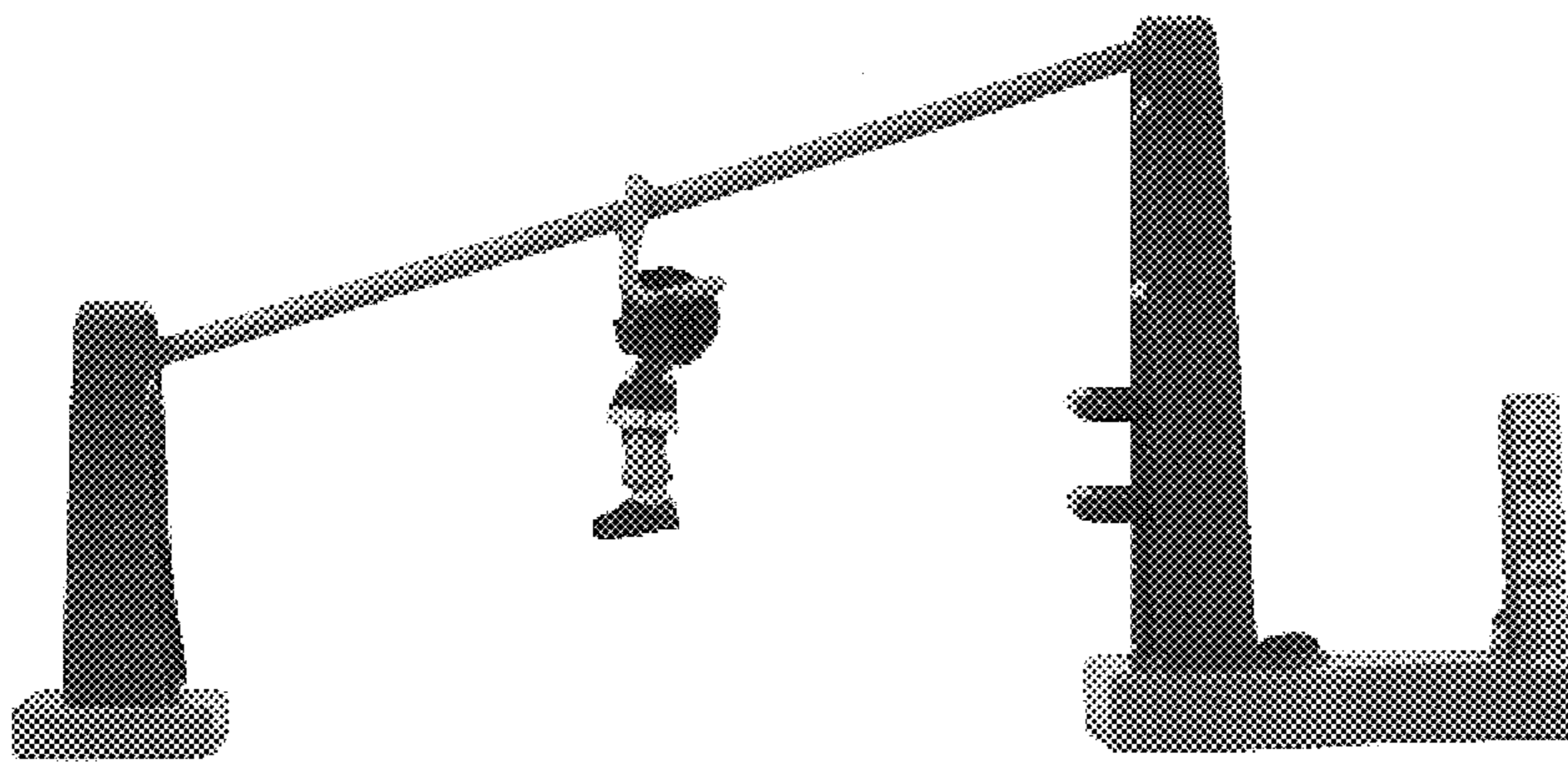


FIG. 1

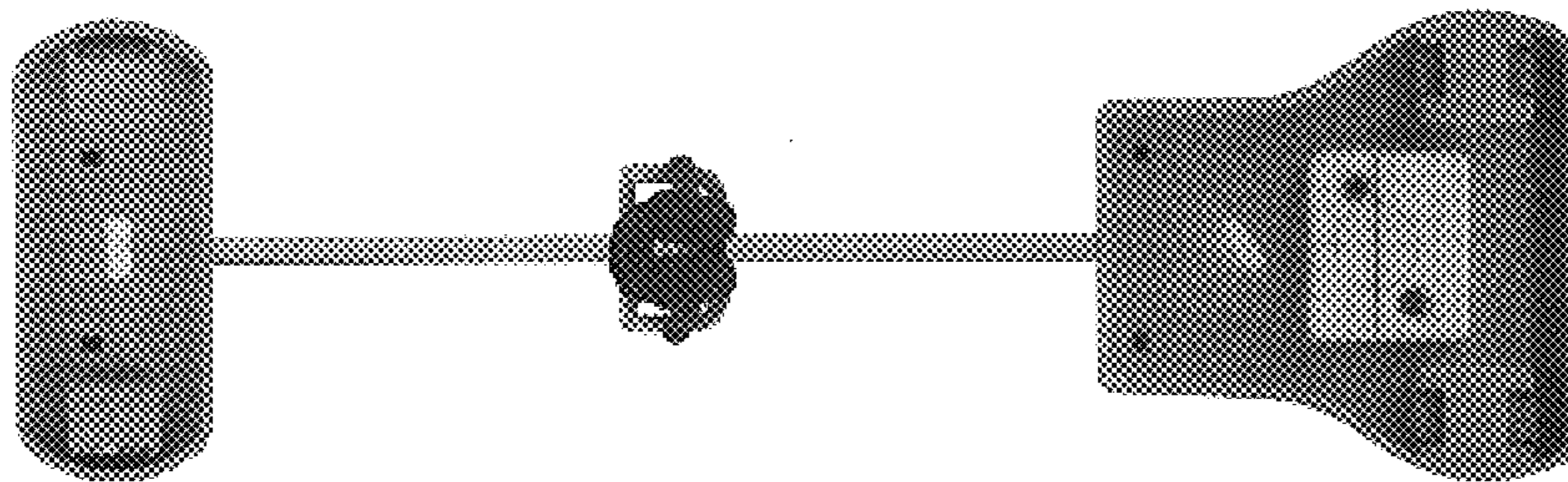


FIG. 4

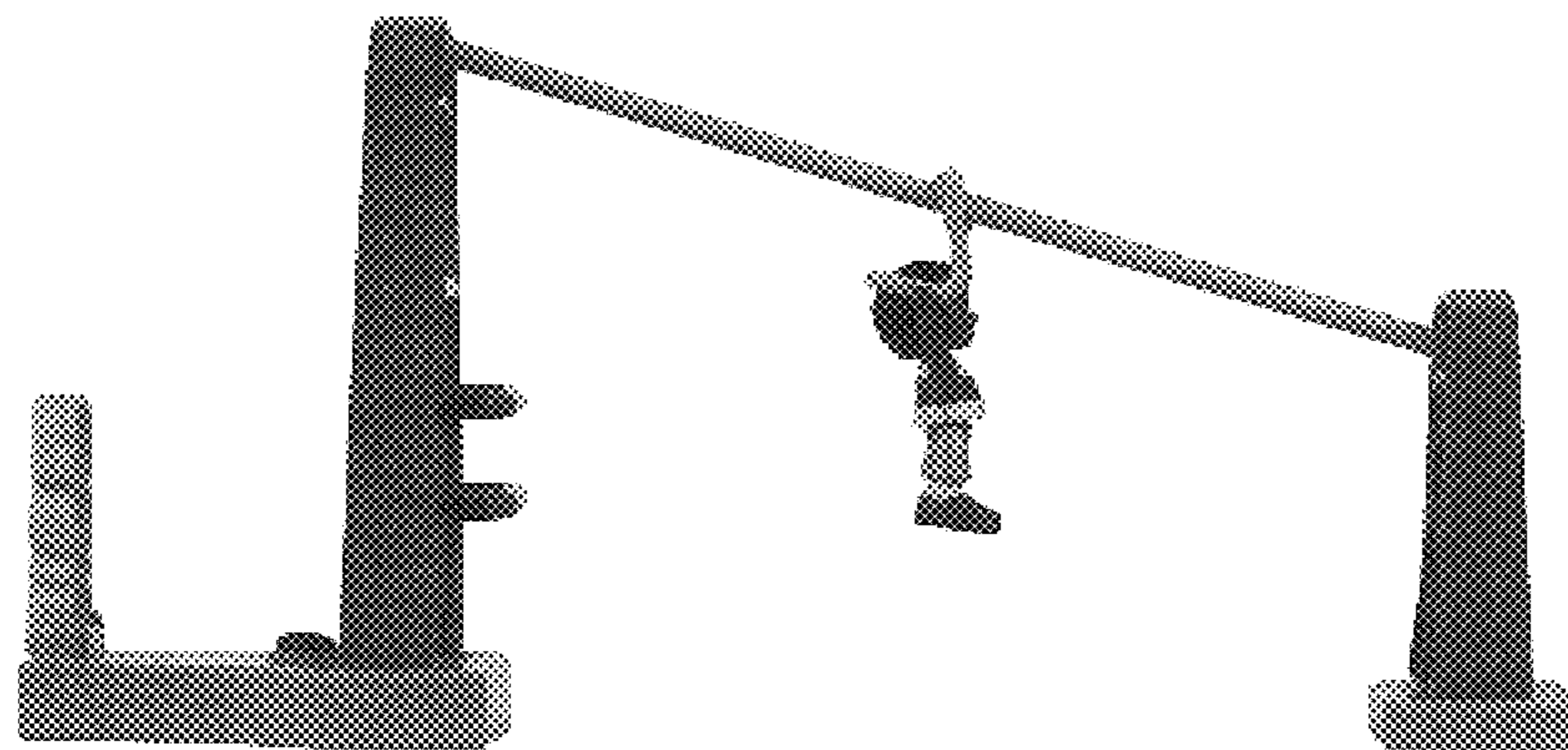


FIG. 2

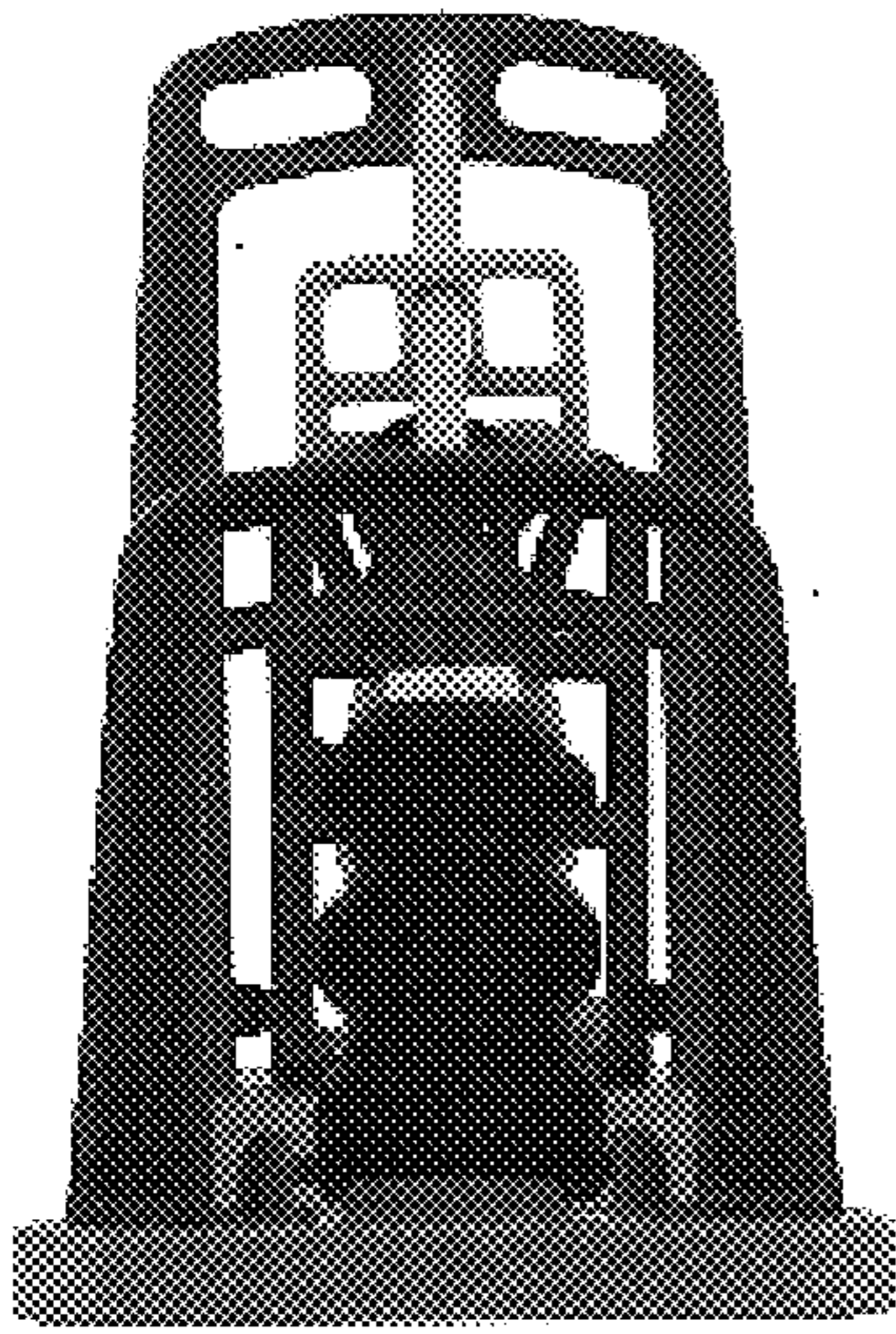


FIG. 5

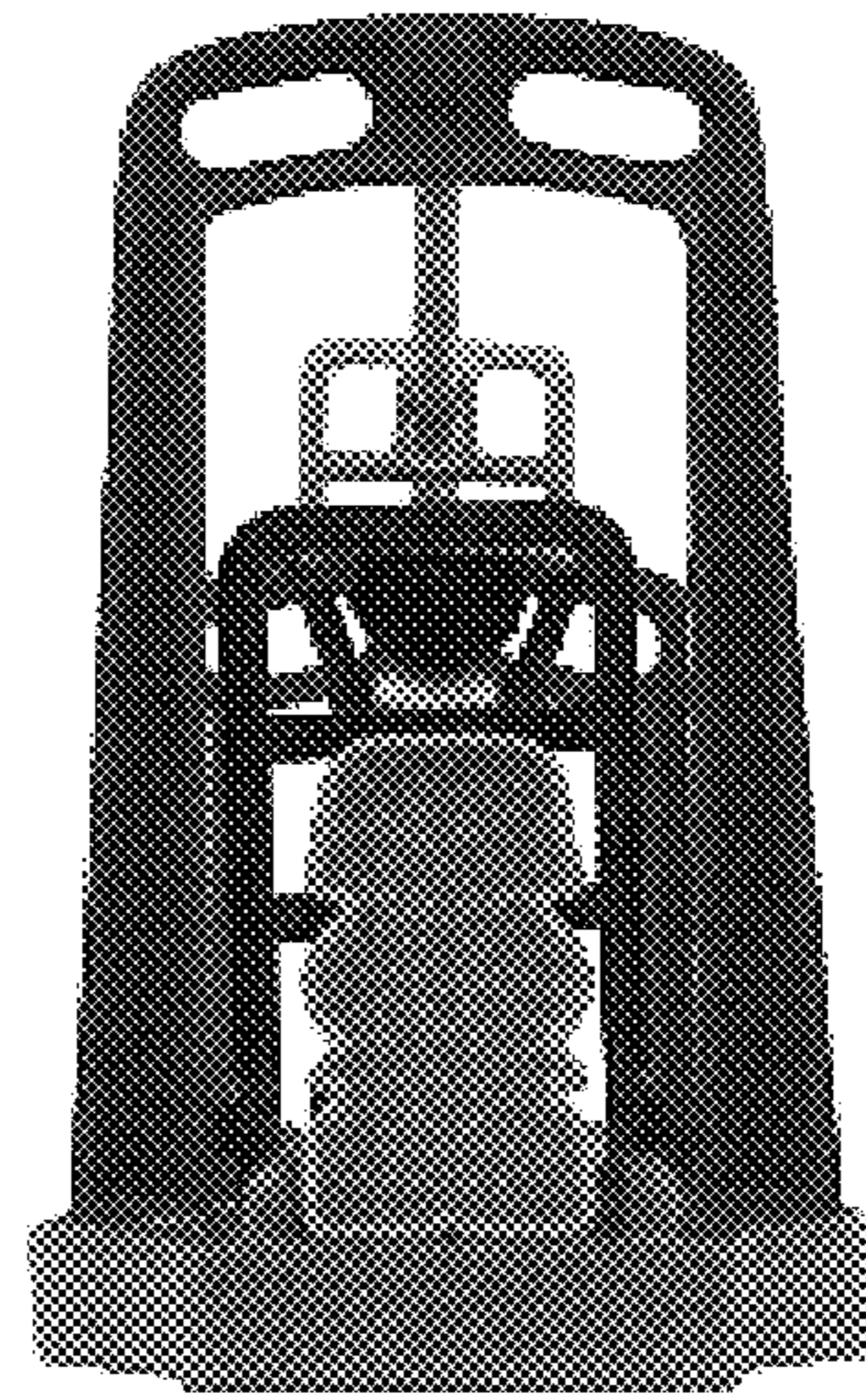


FIG. 6

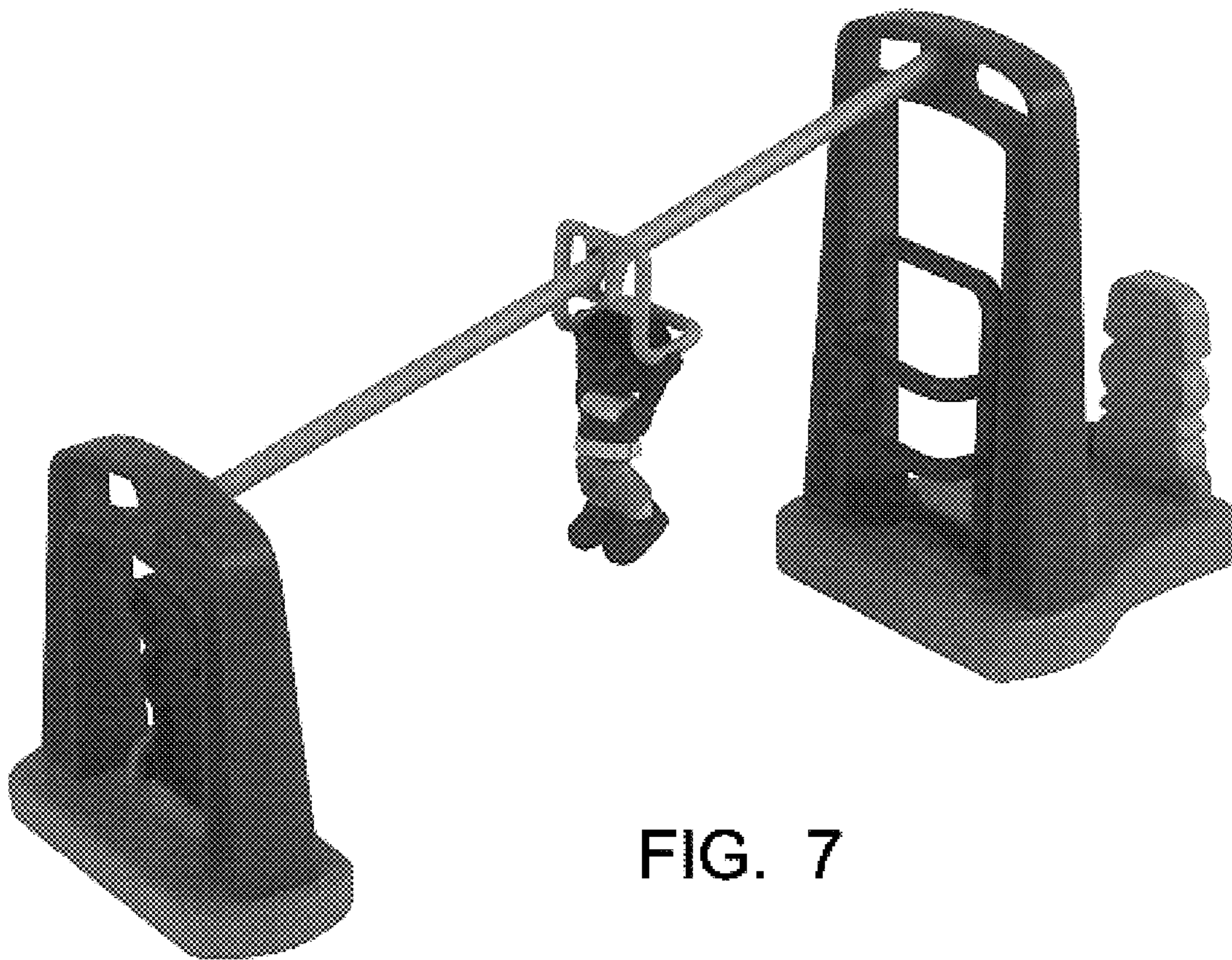


FIG. 7

UNITED STATES PATENT AND TRADEMARK OFFICE
CERTIFICATE OF CORRECTION

PATENT NO. : Des. 521,081 S
APPLICATION NO. : 29/207048
DATED : May 16, 2006
INVENTOR(S) : Yuk Fai Lau

Page 1 of 1

It is certified that error appears in the above-identified patent and that said Letters Patent is hereby corrected as shown below:

Title Page, Item 73 (Assignee)

Change "Tai Ways (Shing Kee) Toys Co. Ltd." to
-- Tai **Way** (Shing Kee) Toys Co. Ltd.--.

Signed and Sealed this

Fifteenth Day of August, 2006

A handwritten signature in black ink on a dotted background. The signature reads "Jon W. Dudas" in a cursive style.

JON W. DUDAS

Director of the United States Patent and Trademark Office