

US00D521079S

(12) **United States Design Patent** (10) **Patent No.:** **US D521,079 S**  
**Bertrand** (45) **Date of Patent:** **\*\* May 16, 2006**

(54) **GAME PIECE HOLDING TRAY**  
(75) Inventor: **Lesker Bertrand**, 2315 Vernell Way,  
Round Rock, TX (US) 78664  
(73) Assignee: **Lesker Bertrand**, Round Rock, TX  
(US)  
(\*\*) Term: **14 Years**  
(21) Appl. No.: **29/235,058**  
(22) Filed: **Jul. 27, 2005**

**Related U.S. Application Data**

(63) Continuation-in-part of application No. 09/956,195, filed on  
Sep. 19, 2001.  
(51) **LOC (8) Cl.** ..... **21-01**  
(52) **U.S. Cl.** ..... **D21/392**  
(58) **Field of Classification Search** ..... D19/90-91;  
D21/385, 392-393; 273/148 R, 150  
See application file for complete search history.

**References Cited**

**U.S. PATENT DOCUMENTS**

805,895	A	*	11/1905	Wedderburn	.....	273/150
1,508,082	A	*	9/1924	Boeppler	.....	273/150
1,569,701	A	*	1/1926	Bostrom	.....	273/150
1,845,952	A	*	2/1932	Wright	.....	D19/91
D161,840	S	*	2/1951	Hopp	.....	D19/90
2,824,741	A	*	2/1958	Wiley	.....	273/150
D294,838	S	*	3/1988	Wells	.....	D21/392
5,029,797	A	*	7/1991	Levorchick et al.	.....	273/150
D328,314	S	*	7/1992	MacEwan	.....	D19/91
D347,451	S	*	5/1994	Kazakowitz	.....	D21/392
D372,742	S	*	8/1996	Kakudo	.....	D21/392
D431,052	S	*	9/2000	Wilcox	.....	D21/392
D446,256	S	*	8/2001	Lazo	.....	D21/392

\* cited by examiner

*Primary Examiner*—Sandra L. Morris

(74) *Attorney, Agent, or Firm*—Andrew J. Dillon; Dillon & Yudell LLP

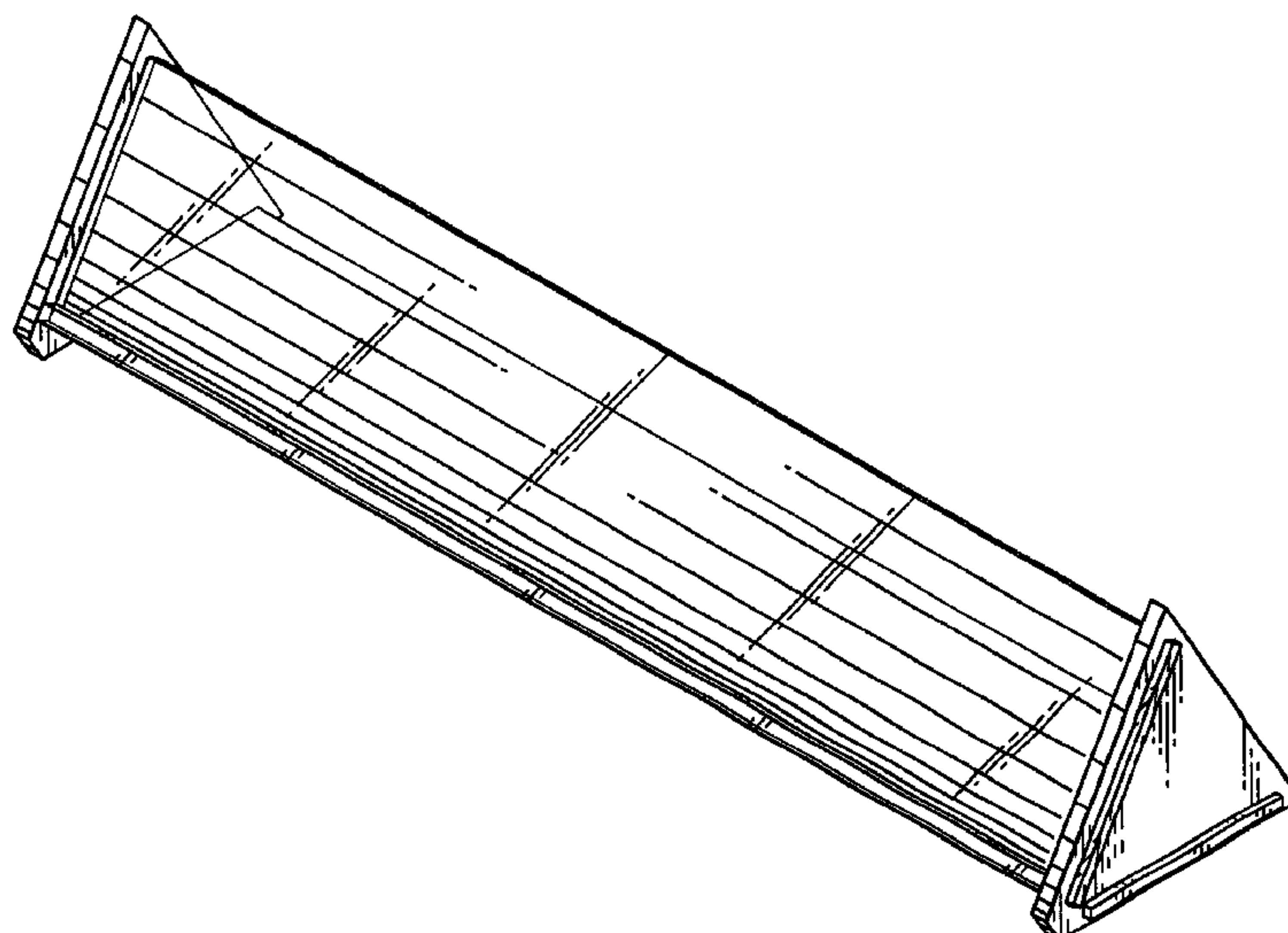
(57) **CLAIM**

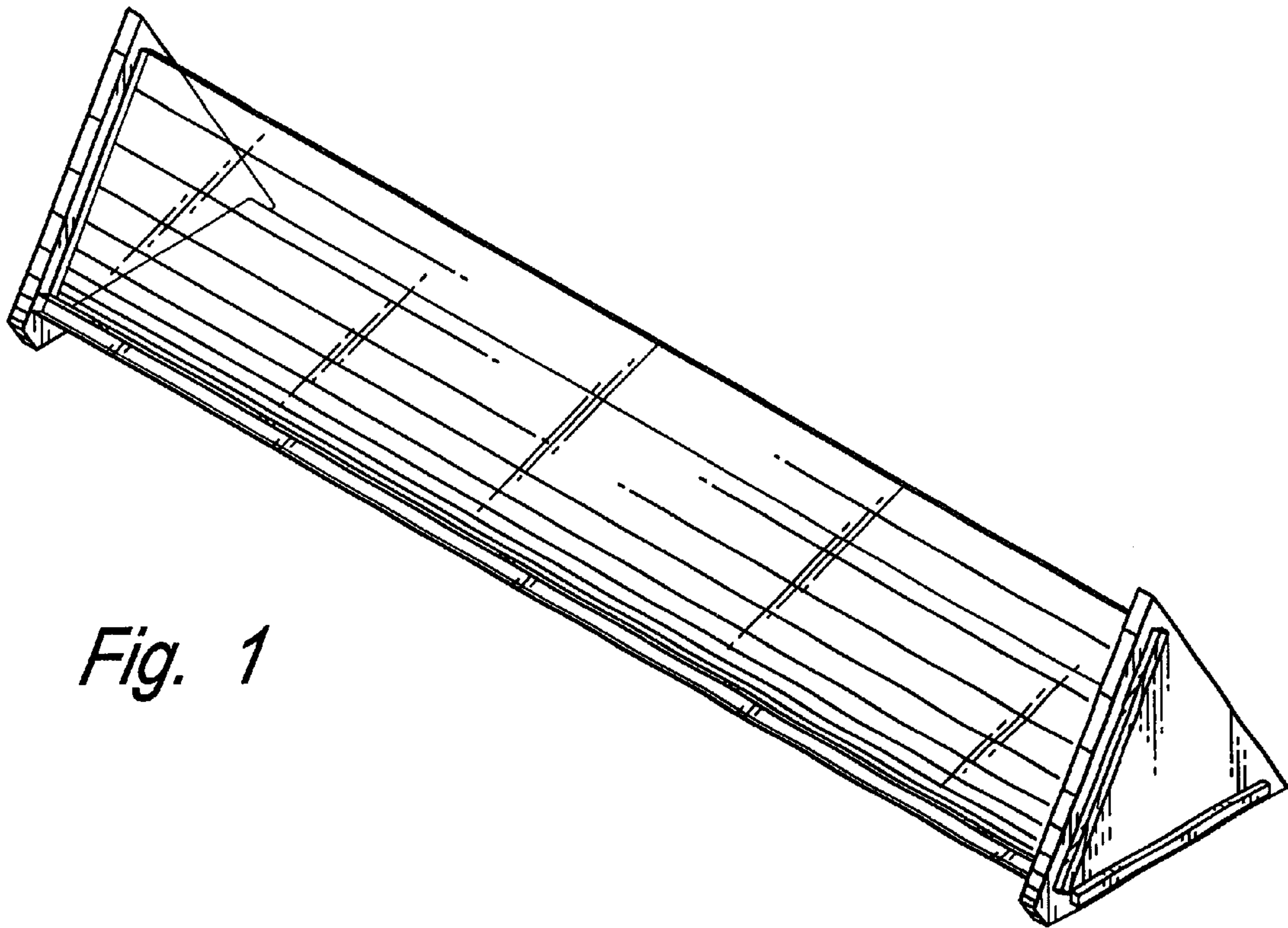
The ornamental design for the game piece holding tray, as shown and described.

**DESCRIPTION**

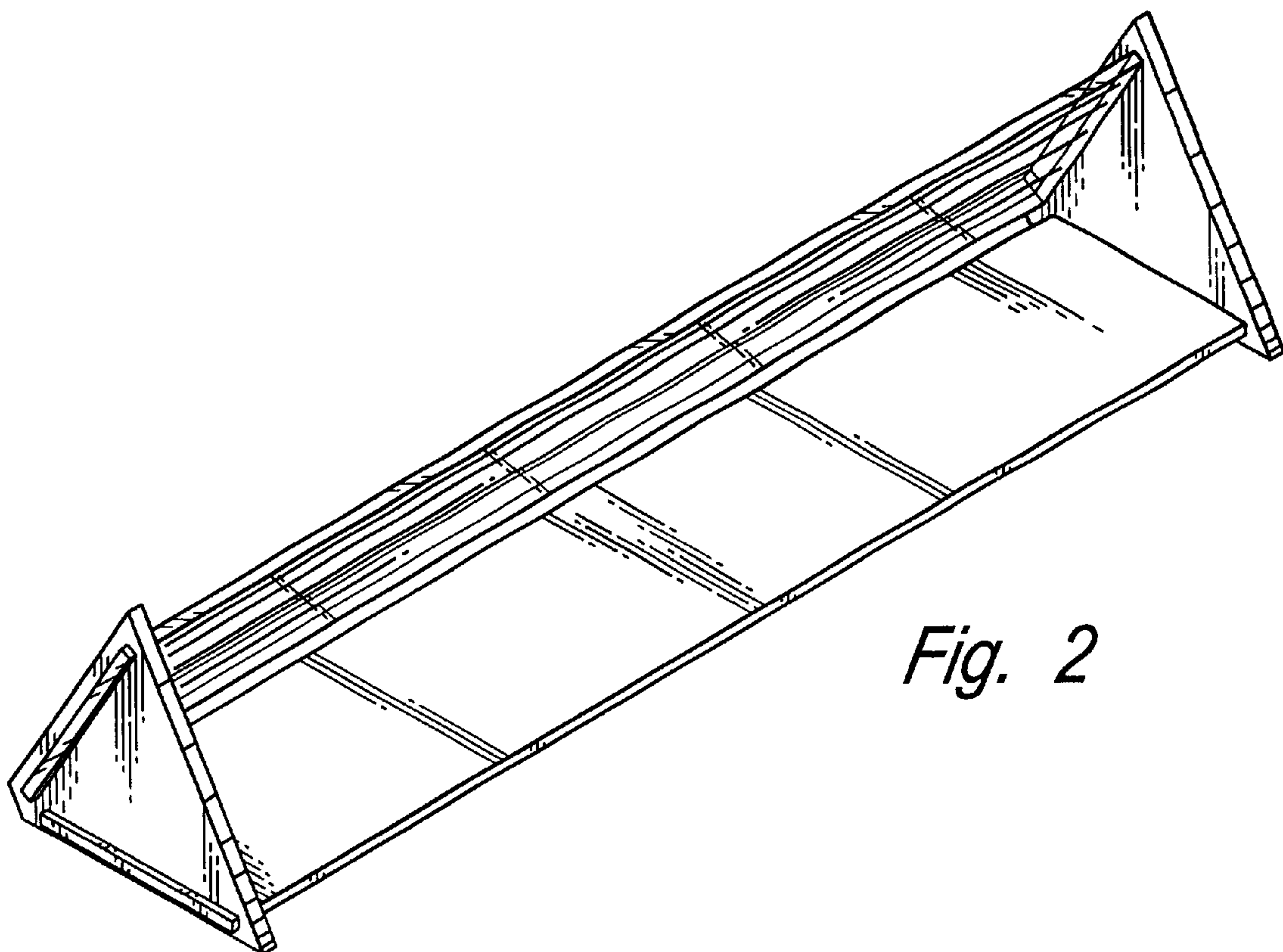
FIG. 1 is a front perspective view of a first embodiment of the game piece holding tray of the present invention; FIG. 2 is a rear perspective view of a first embodiment of the game piece holding tray of the present invention; FIG. 3 is a top plan view of a first embodiment of the game piece holding tray of the present invention; FIG. 4 is a back plan view of a first embodiment of the game piece holding tray of the present invention; FIG. 5 is an end view of a first embodiment of the game piece holding tray of the present invention, the opposite end being a mirror image thereof; FIG. 6 is a rear plan view of a first embodiment of the game piece holding tray of the present invention; FIG. 7 is a bottom plan view a first embodiment of the game piece holding tray of the present invention; FIG. 8 is a front perspective view of a second embodiment of the game piece holding tray of the present invention; FIG. 9 is a rear perspective view of a second embodiment of the game piece holding tray of the present invention; FIG. 10 is a top plan view of a second embodiment of the game piece holding tray of the present invention; FIG. 11 is a back plan view of a second embodiment of the game piece holding tray of the present invention; FIG. 12 is an end view of a second embodiment of the game piece holding tray of the present invention, the opposite end being a mirror image thereof; FIG. 13 is front plan view of a second embodiment of the game piece holding tray of the present invention; and, FIG. 14 is a bottom plan view of a second embodiment of the game piece holding tray of the present invention.

**1 Claim, 4 Drawing Sheets**

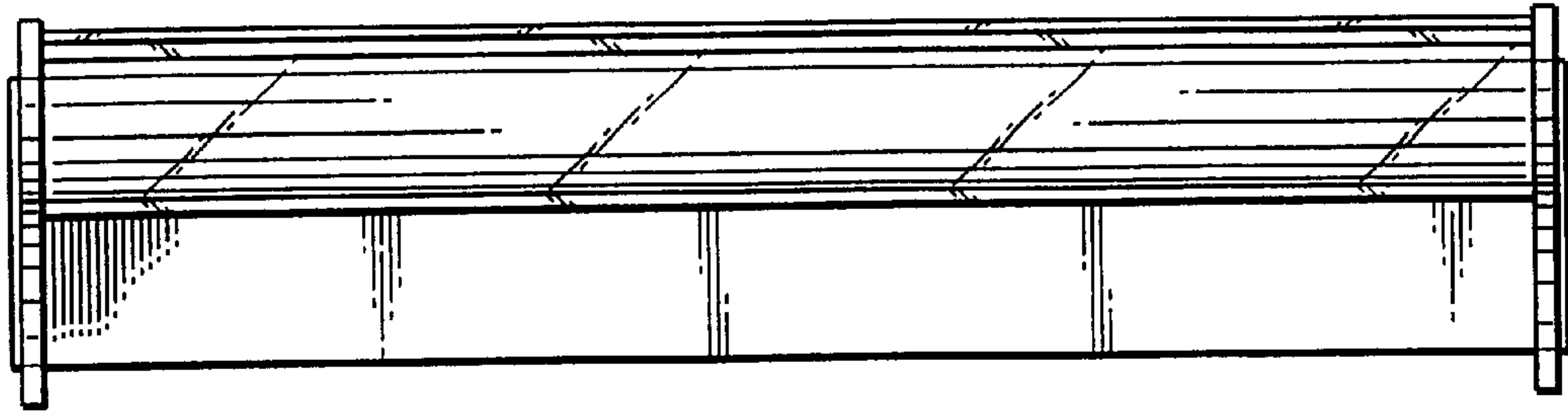




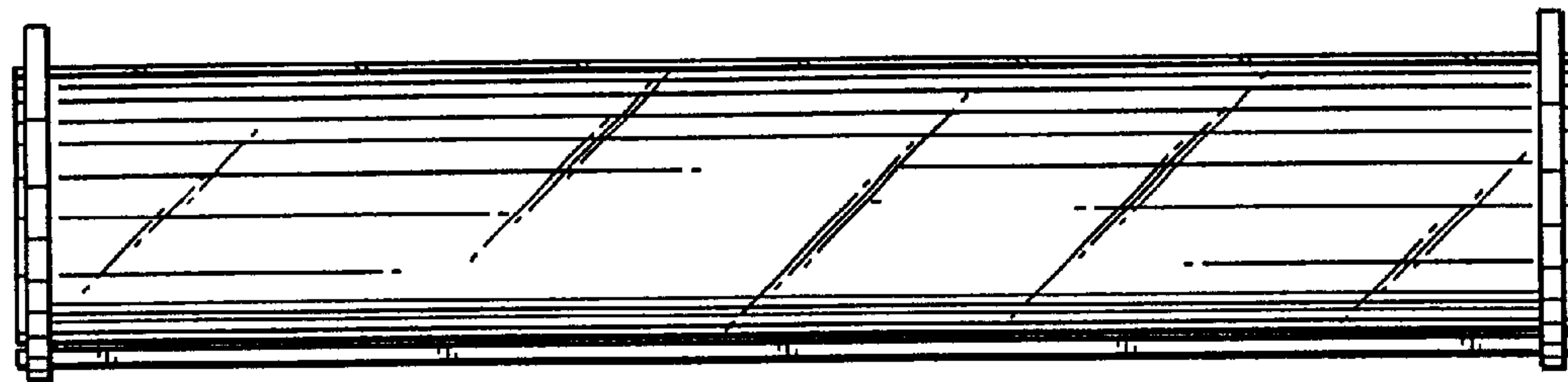
*Fig. 1*



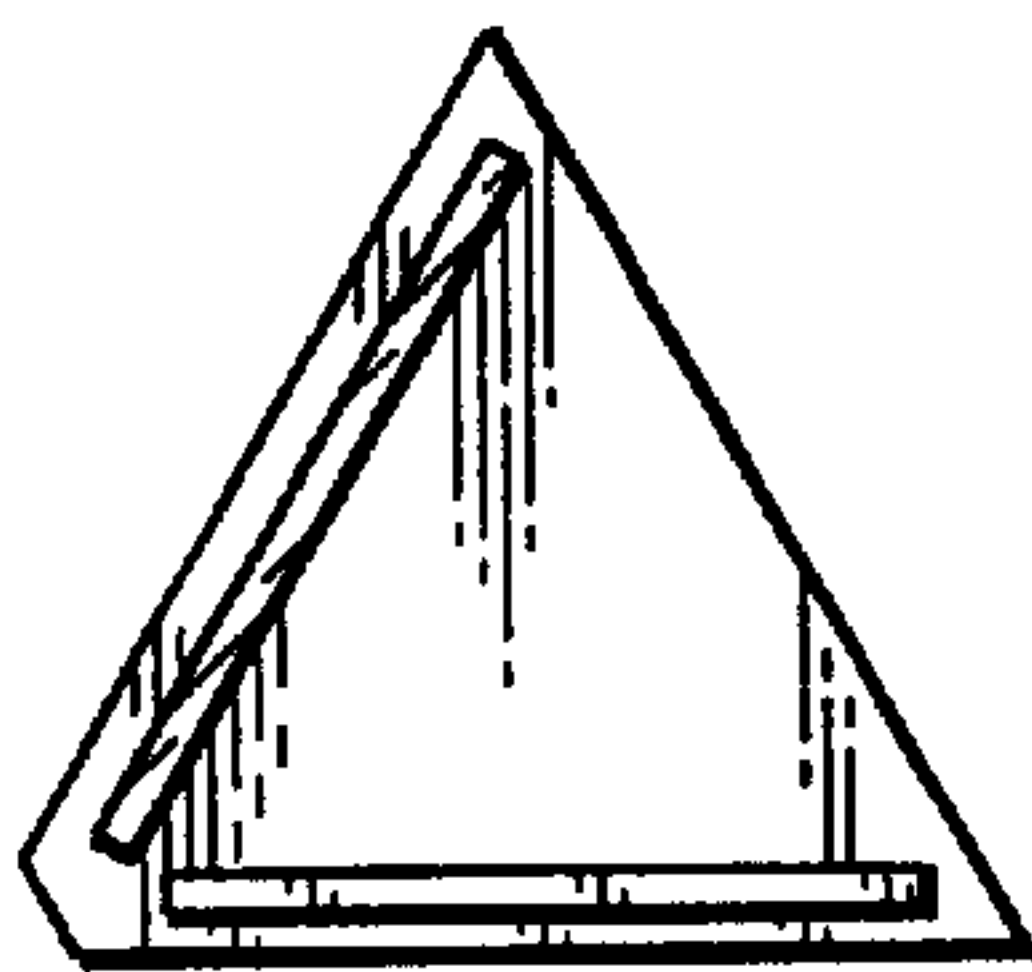
*Fig. 2*



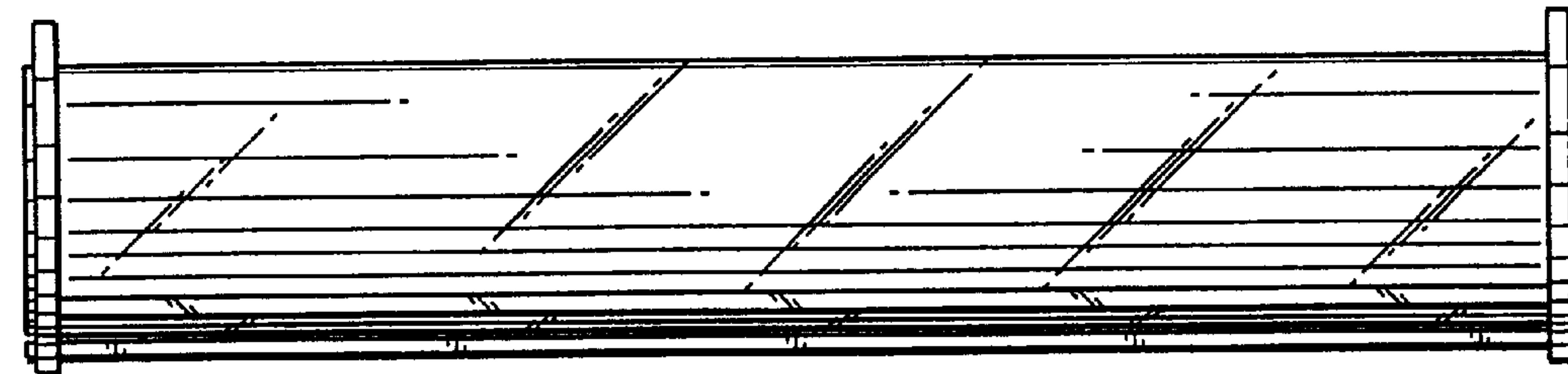
*Fig. 3*



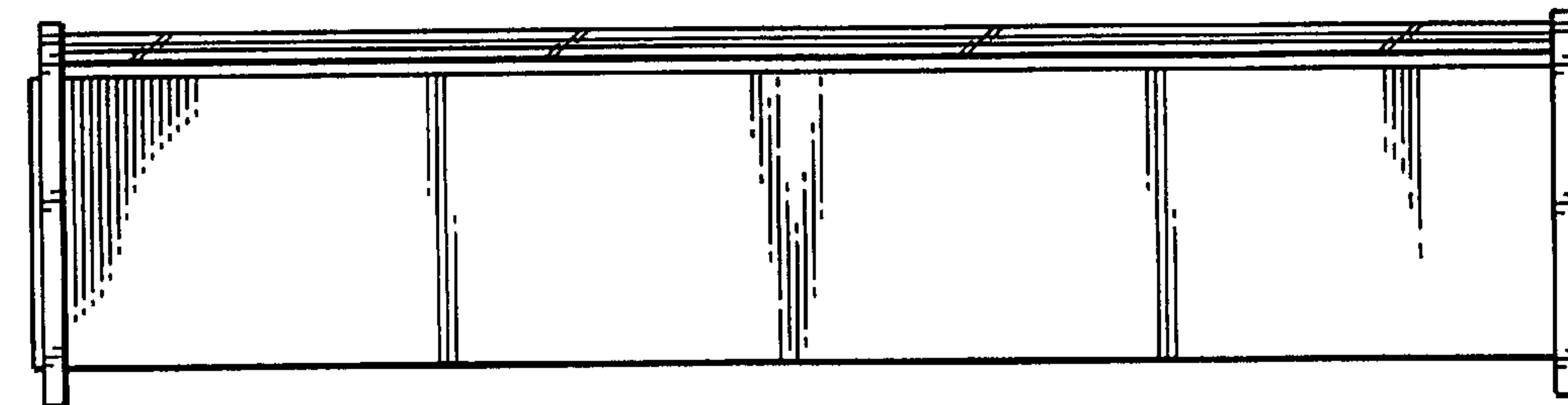
*Fig. 4*



*Fig. 5*

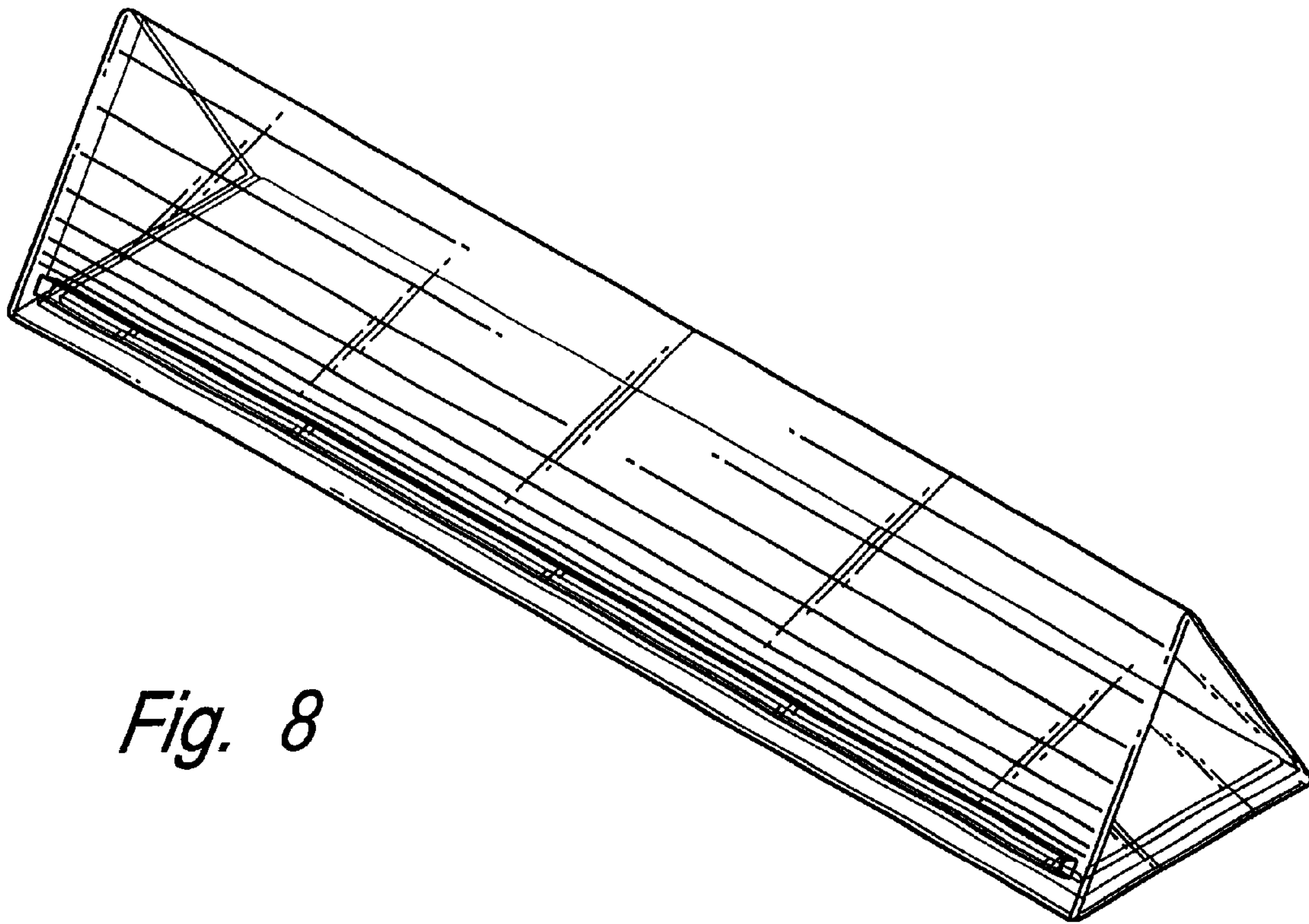


*Fig. 6*

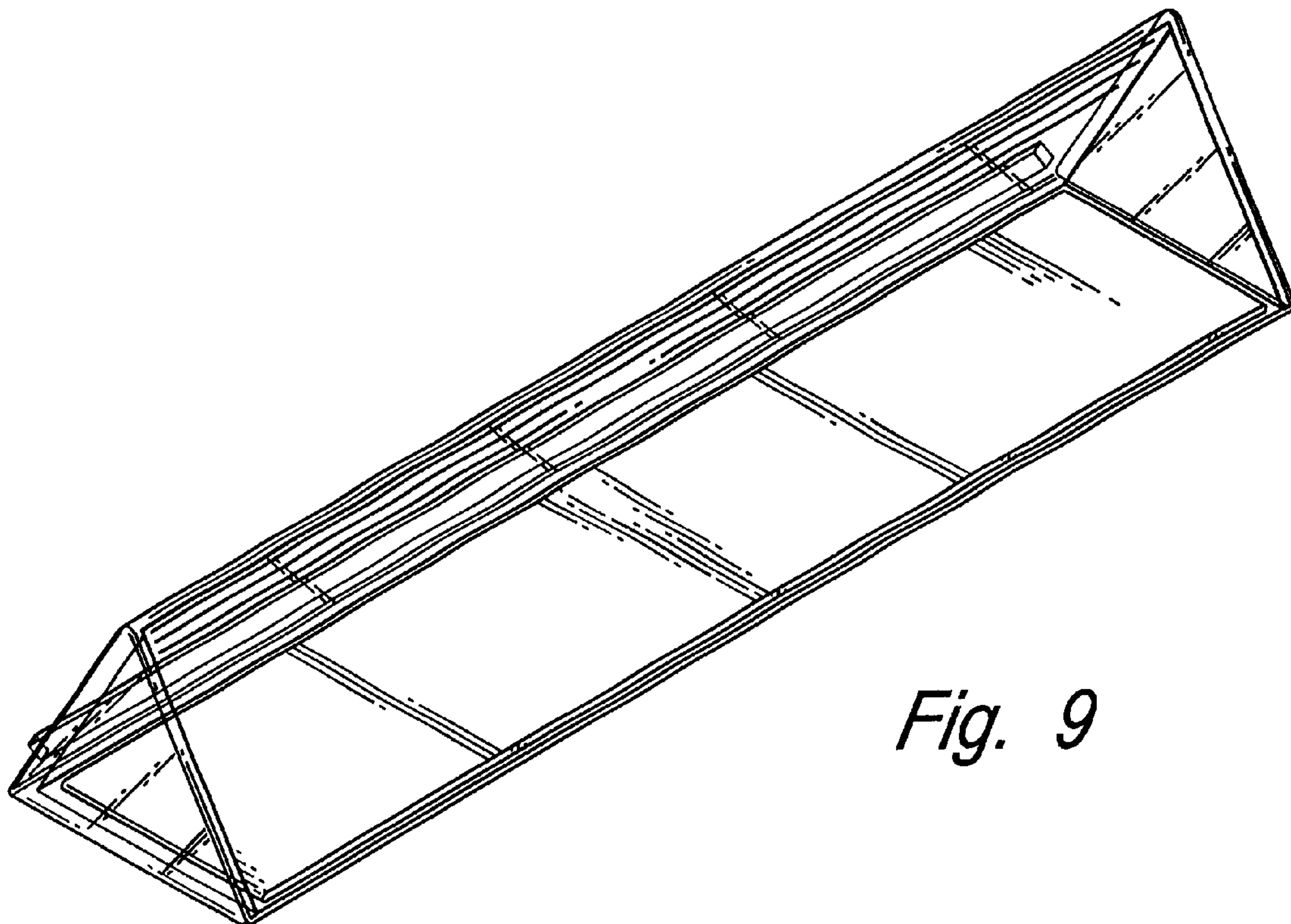


*Fig. 7*

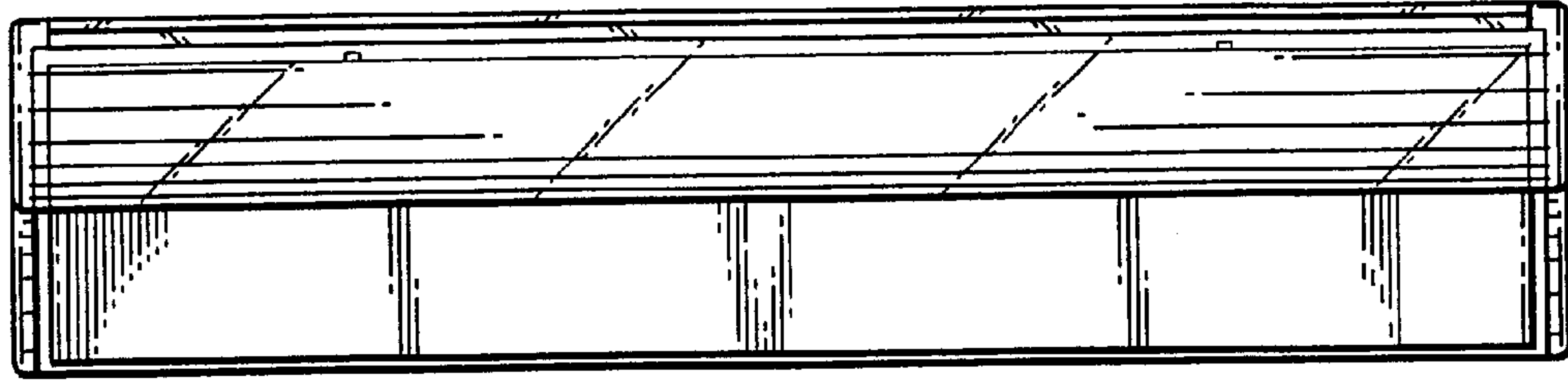




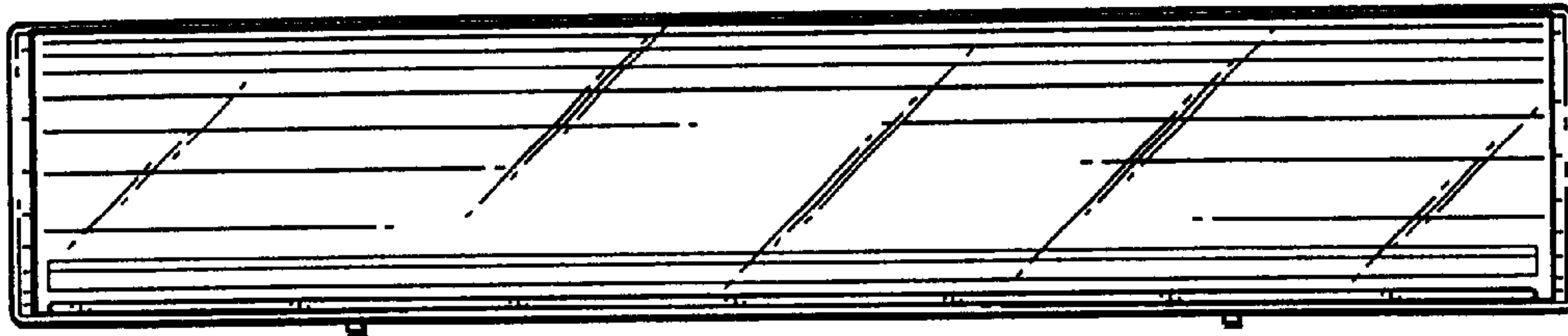
*Fig. 8*



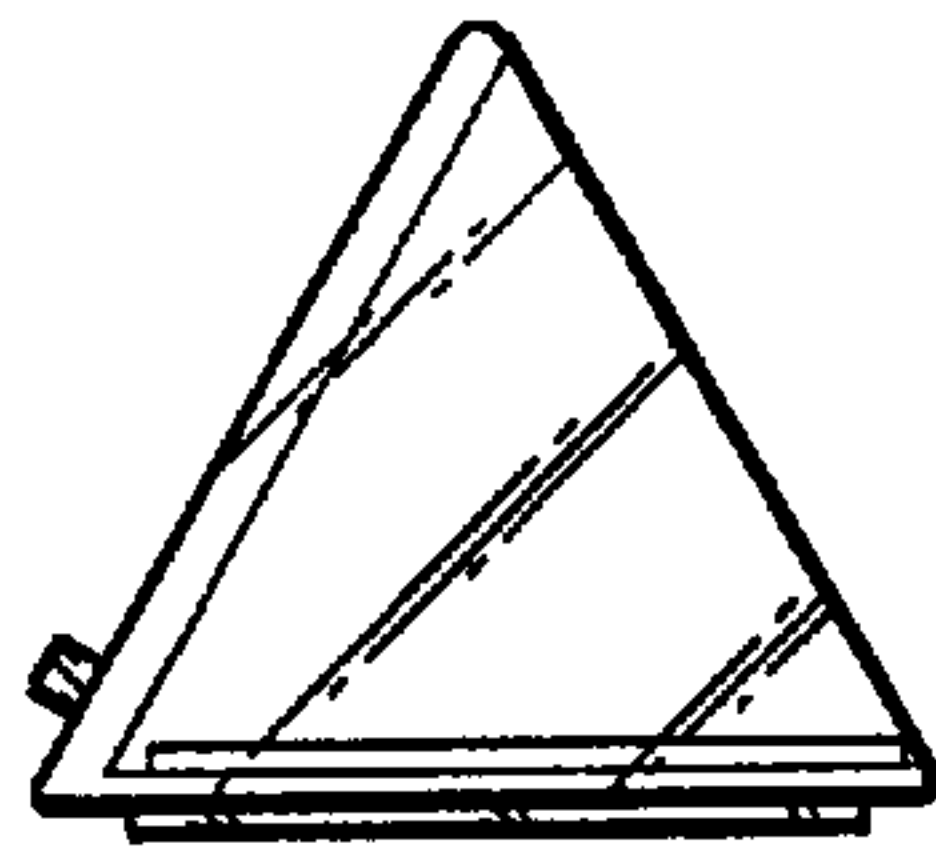
*Fig. 9*



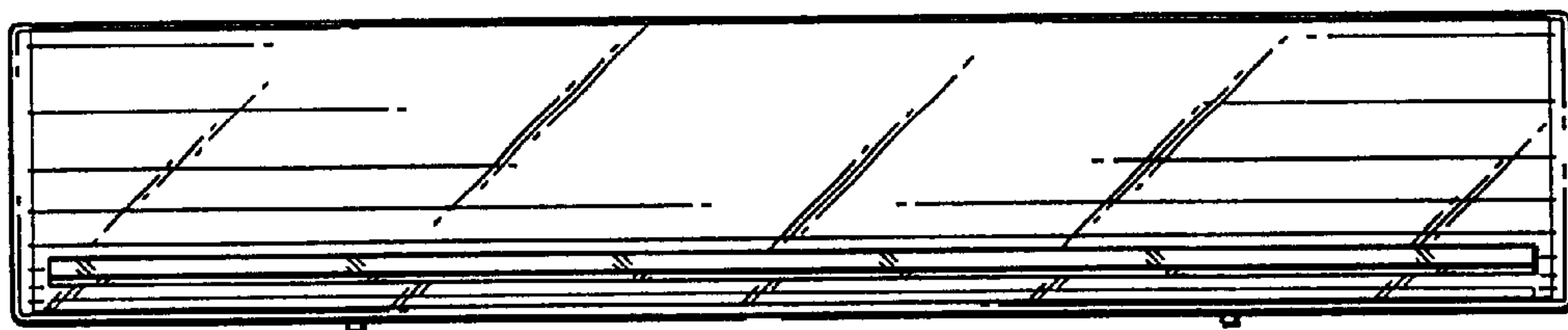
*Fig. 10*



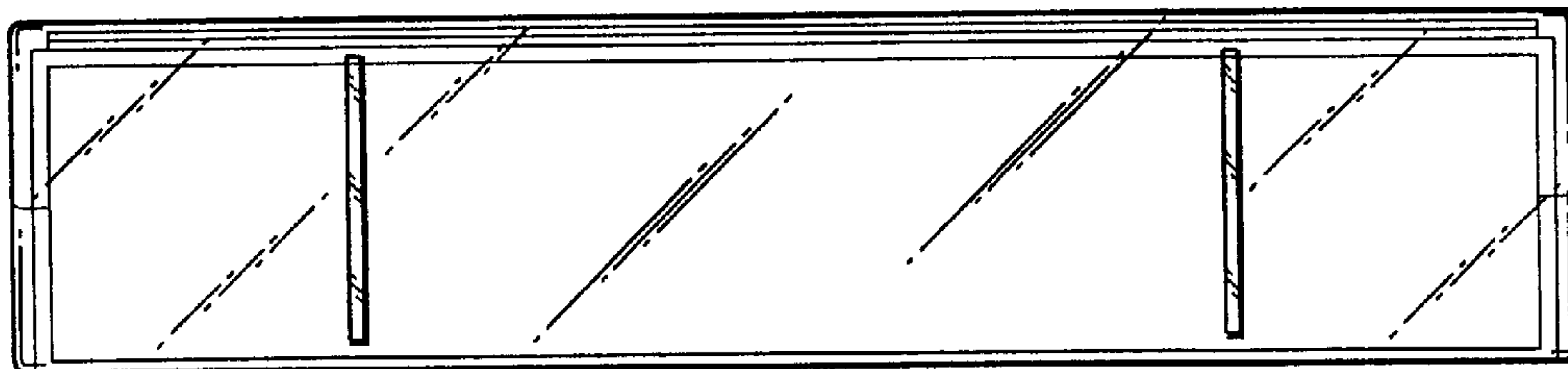
*Fig. 11*



*Fig. 12*



*Fig. 13*



*Fig. 14*

UNITED STATES PATENT AND TRADEMARK OFFICE  
**CERTIFICATE OF CORRECTION**

PATENT NO. : Des. 521,079 S  
APPLICATION NO. : 29/235058  
DATED : May 16, 2006  
INVENTOR(S) : Lesker Bertrand


Page 1 of 1

It is certified that error appears in the above-identified patent and that said Letters Patent is hereby corrected as shown below:

At column 2, on title page, under Description, line 7, delete "embdoment" and insert --embodiment--.

Signed and Sealed this

Tenth Day of October, 2006

A handwritten signature in black ink on a light gray dotted background. The signature reads "Jon W. Dudas" in a cursive style.

JON W. DUDAS

*Director of the United States Patent and Trademark Office*