



US00D521076S

(12) **United States Design Patent**  
**Walker**

(10) **Patent No.:** **US D521,076 S**

(45) **Date of Patent:** **\*\* May 16, 2006**

(54) **TOY**  
(76) **Inventor:** **Mark Johns Walker**, 102 Guernsey St., Brooklyn, NY (US) 11222  
(\*\*) **Term:** **14 Years**  
(21) **Appl. No.:** **29/206,866**  
(22) **Filed:** **Jun. 4, 2004**  
(51) **LOC (8) Cl.** ..... **21-01**  
(52) **U.S. Cl.** ..... **D21/385; D21/301; D21/438; D21/656**  
(58) **Field of Classification Search** ..... **D21/300-301, D21/385-387, 438, 656; D30/160; 446/72, 446/268, 369; 473/569, 575, 578, 585; 273/348, 273/398**  
See application file for complete search history.

D360,713 S \* 7/1995 Schiefer et al. .... D30/160  
5,505,161 A 4/1996 Swendseid  
5,524,326 A 6/1996 Markowitz  
D382,029 S 8/1997 Hong Cheng  
5,706,762 A 1/1998 Dokken  
5,765,508 A 6/1998 Markowitz  
D420,409 S \* 2/2000 Koenig ..... D21/698  
D420,707 S \* 2/2000 Seymour ..... D21/387  
6,155,905 A 12/2000 Truax  
D435,872 S \* 1/2001 Blasingame ..... D21/387  
D452,050 S \* 12/2001 Ritchey ..... D30/160  
D452,593 S 12/2001 Kaplan  
6,481,381 B1 11/2002 Ritchey  
6,571,742 B1 6/2003 Tsengas  
2002/0020362 A1 2/2002 Noto  
2002/0185083 A1 12/2002 Ritchey

\* cited by examiner

*Primary Examiner*—Sandra L. Morris  
(74) *Attorney, Agent, or Firm*—Kenyon & Kenyon LLP

(56) **References Cited**

**U.S. PATENT DOCUMENTS**

2,246,965 A 6/1941 Yoder  
D159,744 S 8/1950 Low  
2,833,244 A 5/1958 Bohlman  
3,727,583 A 4/1973 Muraro  
4,195,615 A \* 4/1980 Belokin ..... 473/569  
4,266,781 A 5/1981 Blue  
4,577,590 A 3/1986 Skroch  
4,803,953 A 2/1989 Graves  
D301,905 S \* 6/1989 Havelock ..... D21/656  
4,930,448 A 6/1990 Robinson  
D314,593 S 2/1991 Crist et al.  
5,194,033 A 3/1993 Wright  
D344,613 S \* 2/1994 Cromwell ..... D30/160  
5,322,036 A 6/1994 Merino

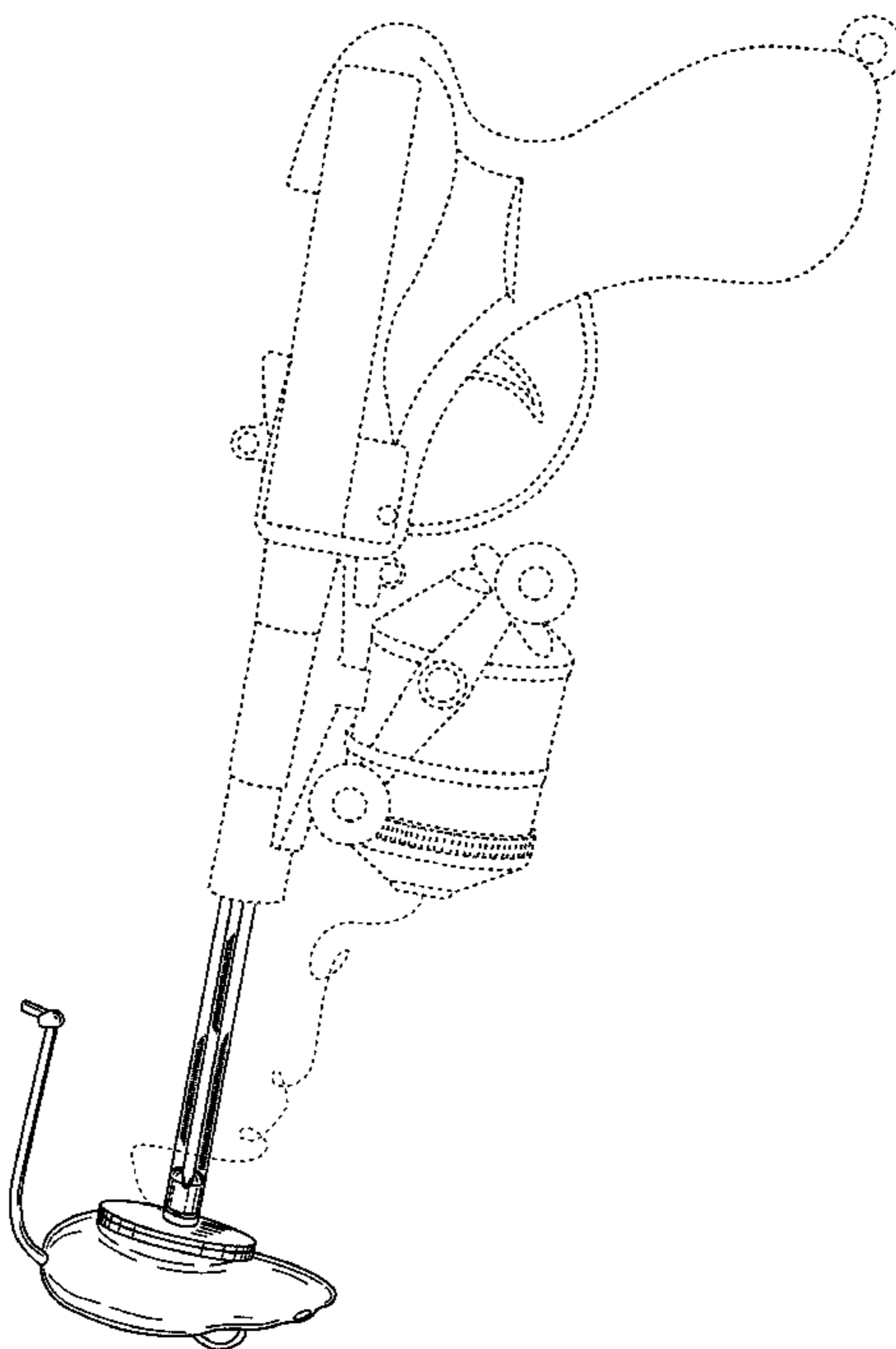
(57) **CLAIM**

The ornamental design for a toy, as shown and described.

**DESCRIPTION**

FIG. 1 is a side view of an embodiment of a toy, showing my new design, loaded into a gun;  
FIG. 2 is a top view thereof;  
FIG. 3 is a bottom view thereof;  
FIG. 4 and 5 are side views thereof;  
FIG. 6 is a front view thereof; and,  
FIG. 7 is a back view thereof.  
The broken line portions are for illustrative purposes only and form no part of the claimed design.

**1 Claim, 4 Drawing Sheets**



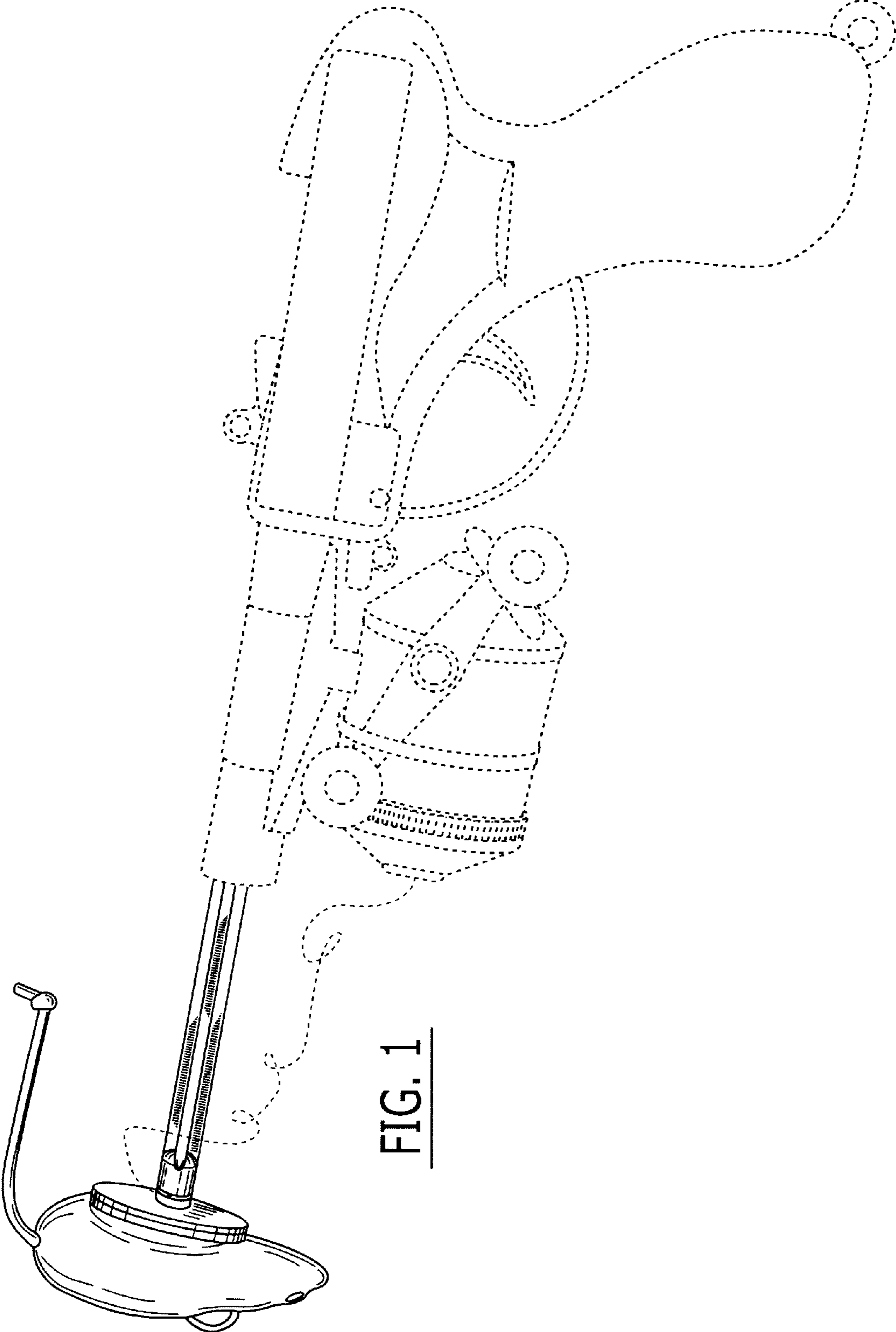
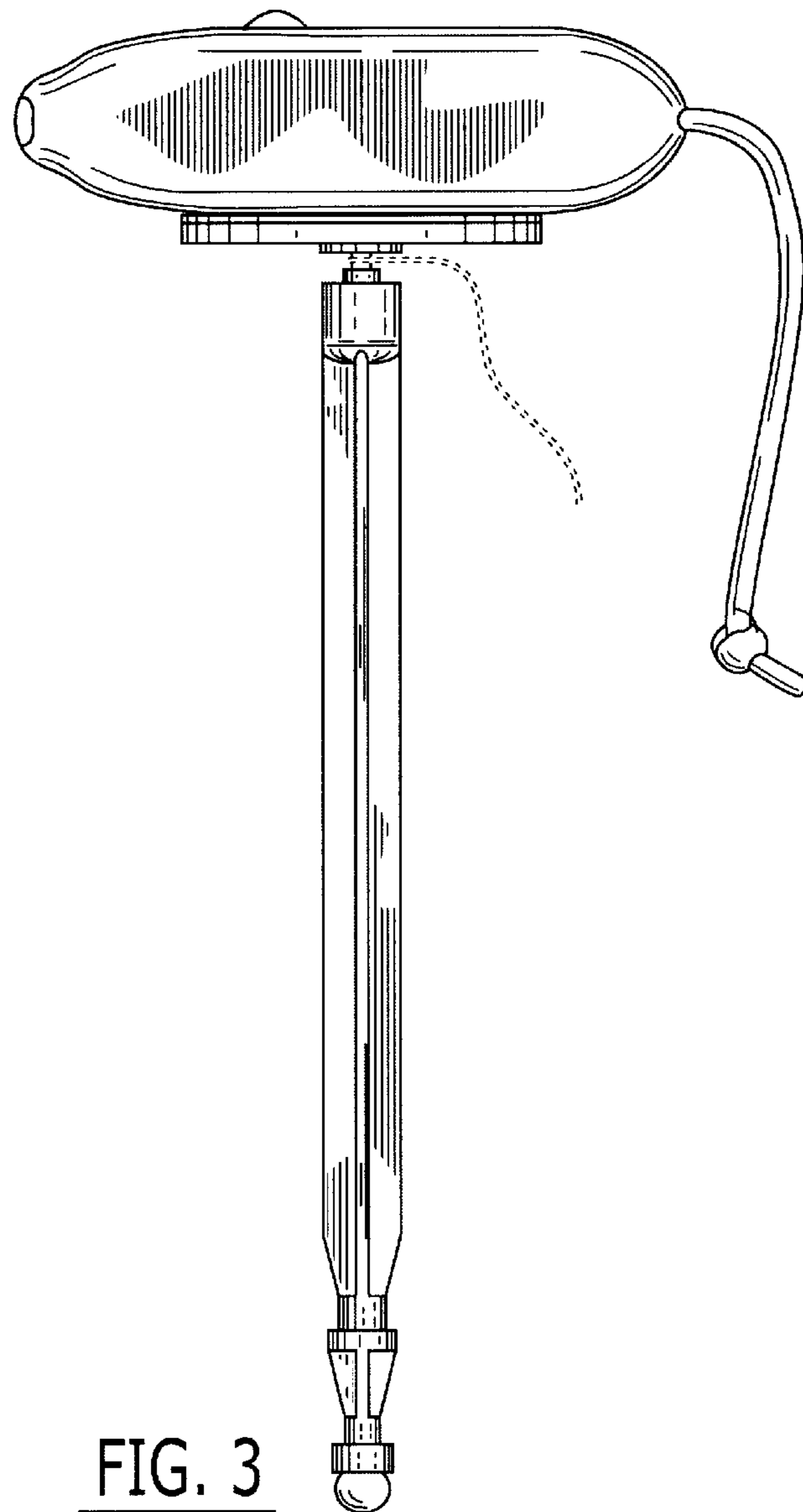
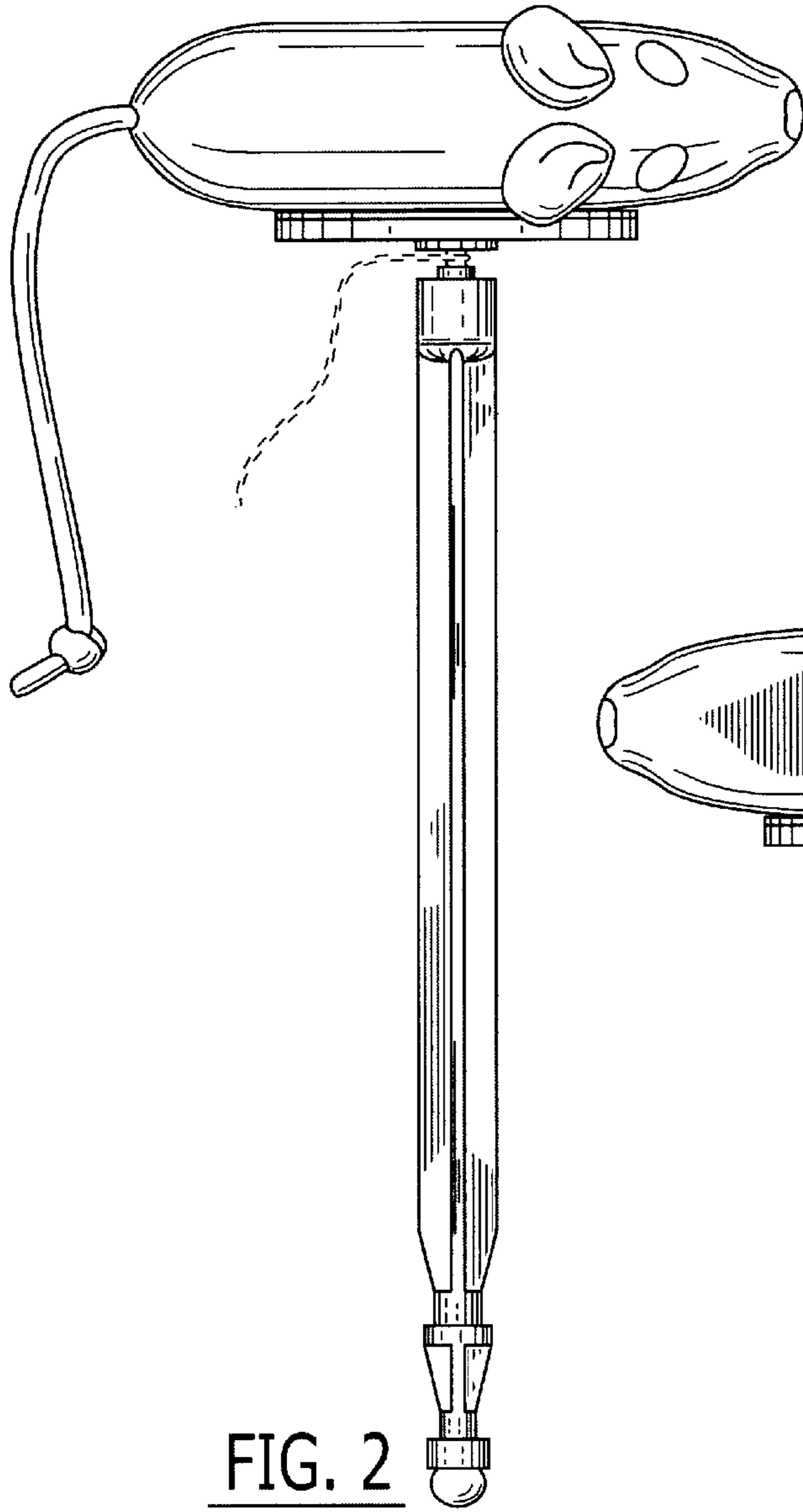


FIG. 1



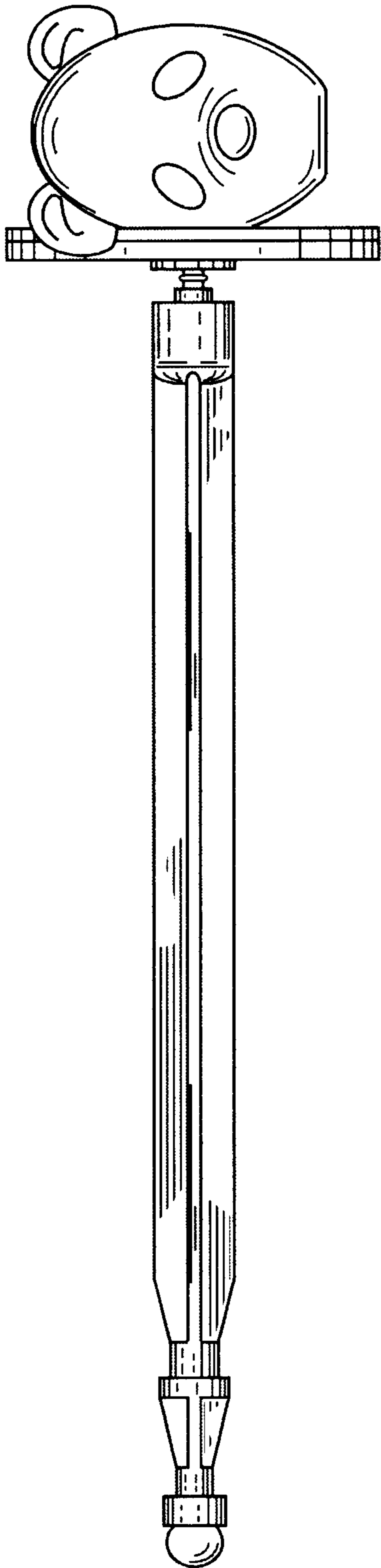


FIG. 4

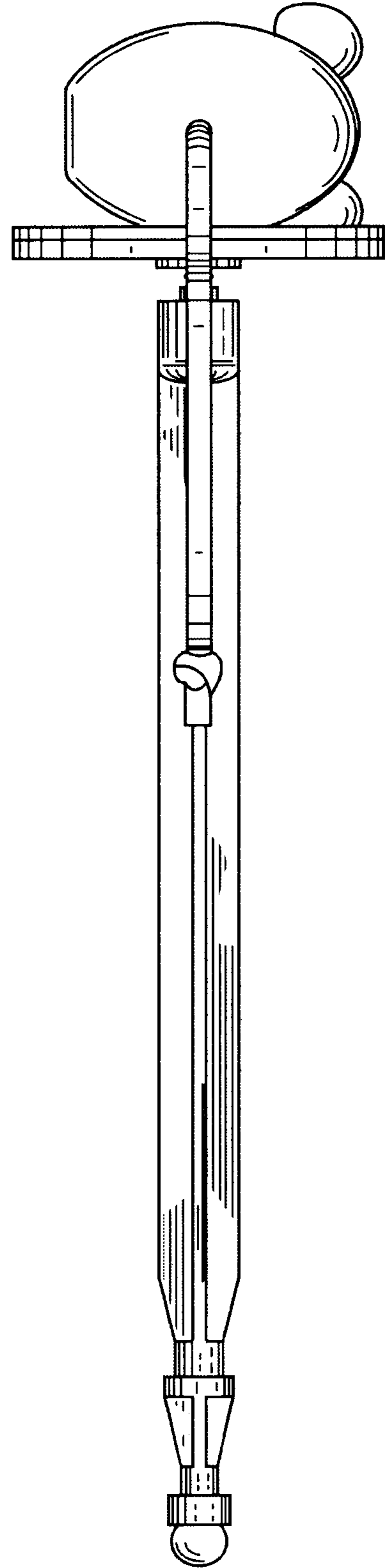


FIG. 5

