



US00D521072S

(12) **United States Design Patent** (10) **Patent No.:** **US D521,072 S**
Hough et al. (45) **Date of Patent:** **** May 16, 2006**

(54) **FOLIO FILER**

(75) Inventors: **Jack Hough**, Chicago, IL (US); **Jin Ko**, Evanston, IL (US); **Sona Patadia**, Chicago, IL (US); **Evan Ward**, Chicago, IL (US)

(73) Assignee: **ACCO Brands USA LLC**, Lincolnshire, IL (US)

(**) Term: **14 Years**

(21) Appl. No.: **29/225,083**

(22) Filed: **Mar. 10, 2005**

5,630,509 A	*	5/1997	Su	206/425
5,797,630 A		8/1998	Conley, Jr.		
D399,058 S	*	10/1998	Wyant	D3/303
D424,615 S	*	5/2000	Wyant	D19/32
D424,622 S		5/2000	Moor		
D456,135 S	*	4/2002	Shapiro	D3/303
6,394,497 B1	*	5/2002	Ho	281/29
6,453,589 B1	*	9/2002	Schwartz	40/359
D463,975 S	*	10/2002	Sipinen	D9/733
D471,014 S		3/2003	Shapiro		
D472,707 S	*	4/2003	Ong	D3/290
D476,032 S		6/2003	Marchand		
6,607,122 B1	*	8/2003	Ong	229/67.3
D482,984 S		12/2003	Marchand		
D499,761 S		12/2004	Walley et al.		
6,837,368 B1		1/2005	Chang		
2004/0253046 A1	*	12/2004	Africa et al.	402/73

Related U.S. Application Data

(62) Division of application No. 29/214,209, filed on Sep. 29, 2004, which is a division of application No. 29/194,059, filed on Nov. 19, 2003, now Pat. No. Des. 509,250.

(51) **LOC (8) Cl.** **19-02**

(52) **U.S. Cl.** **D19/90**

(58) **Field of Classification Search** D19/26, D19/27, 28, 29, 30, 31, 32, 33, 86; 206/425, 206/472; 281/3.1, 15.1, 19.1, 21.1, 29, 34, 281/38, 51; 283/63.1; D3/303, 900; 402/73, 402/80 R

See application file for complete search history.

(56) **References Cited**

U.S. PATENT DOCUMENTS

251,998 A	*	1/1882	Colton	402/13
D47,860 S		9/1915	Palmer		
1,199,634 A		9/1916	Urmston		
1,445,298 A		2/1923	Curnan		
1,759,255 A		5/1930	Greenhaus		
1,788,418 A		1/1931	Andrews		
D108,013 S	*	1/1938	Felman	D3/243
2,151,469 A		3/1939	Hochtheil		
2,275,956 A		3/1942	Grace		
D135,559 S		4/1943	Novick		
D329,327 S	*	9/1992	Holtzclaw, Jr.	D3/262
D332,005 S		12/1992	Walasek		
5,593,086 A		1/1997	Ho		

OTHER PUBLICATIONS

ACCO Brands, Inc., Fact Book 2003, Jan. 1, 2003, pp. 71 and 74–78.

ACCO Brands, Inc., Fact Book 2001, Jan. 2001, pp. 80–92.

* cited by examiner

Primary Examiner—Caron D. Veynar

Assistant Examiner—Elizabeth Albert

(74) *Attorney, Agent, or Firm*—Michael Best & Friedrich LLP

(57) **CLAIM**

We claim the ornamental design for a folio filer, as shown and described.

DESCRIPTION

FIG. 1 is a perspective view of a folio filer according to the invention;

FIG. 2 is a front view of the folio filer of FIG. 1;

FIG. 3 is a left side view of the folio filer of FIG. 1;

FIG. 4 is a right side view of the folio filer of FIG. 1;

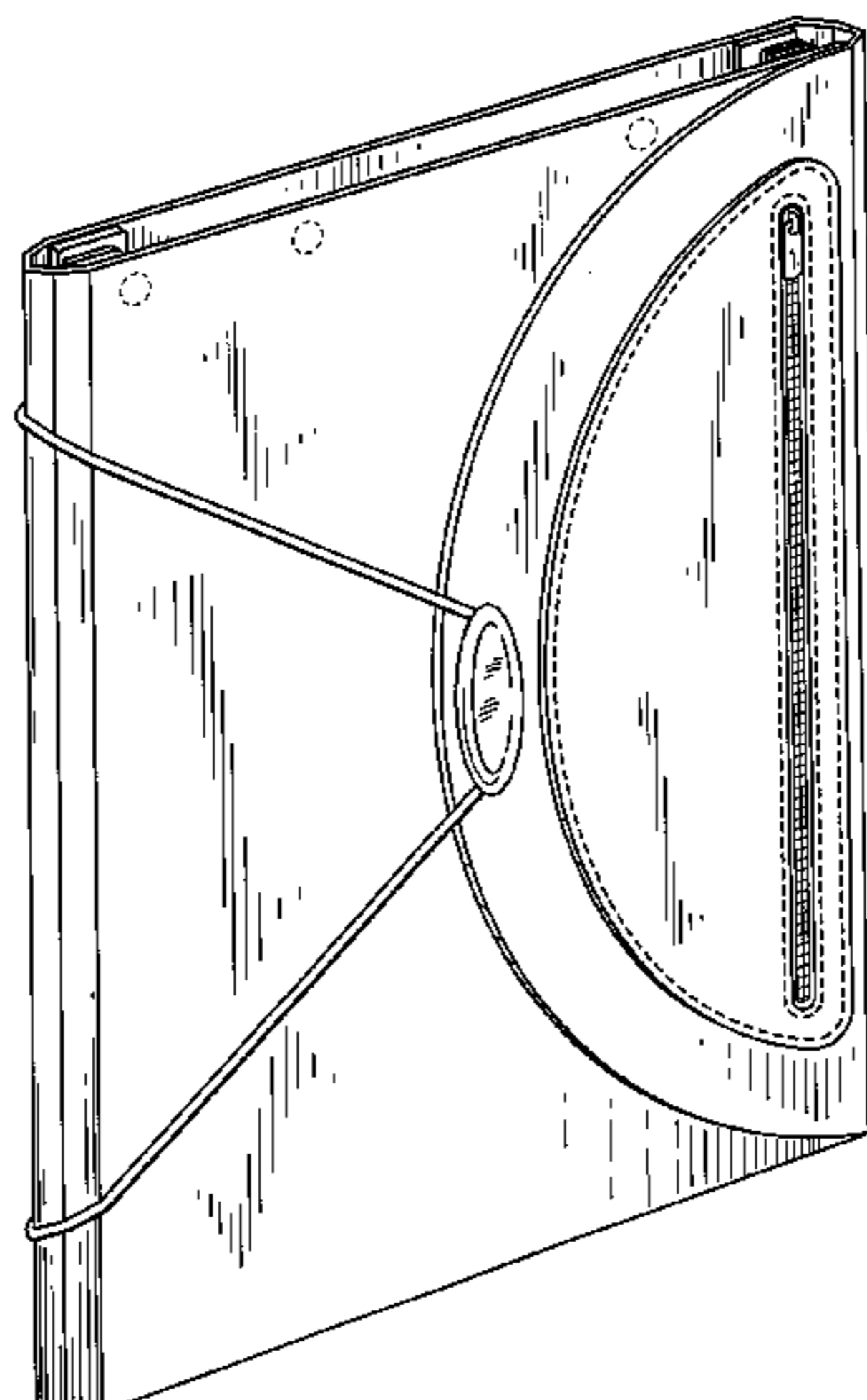
FIG. 5 is a top view of the folio filer of FIG. 1;

FIG. 6 is a rear view of the folio filer of FIG. 1; and,

FIG. 7 is a bottom view of the folio filer of FIG. 1.

The broken line showing of the environment is for illustrative purposes only and forms no part of the claimed design.

1 Claim, 4 Drawing Sheets



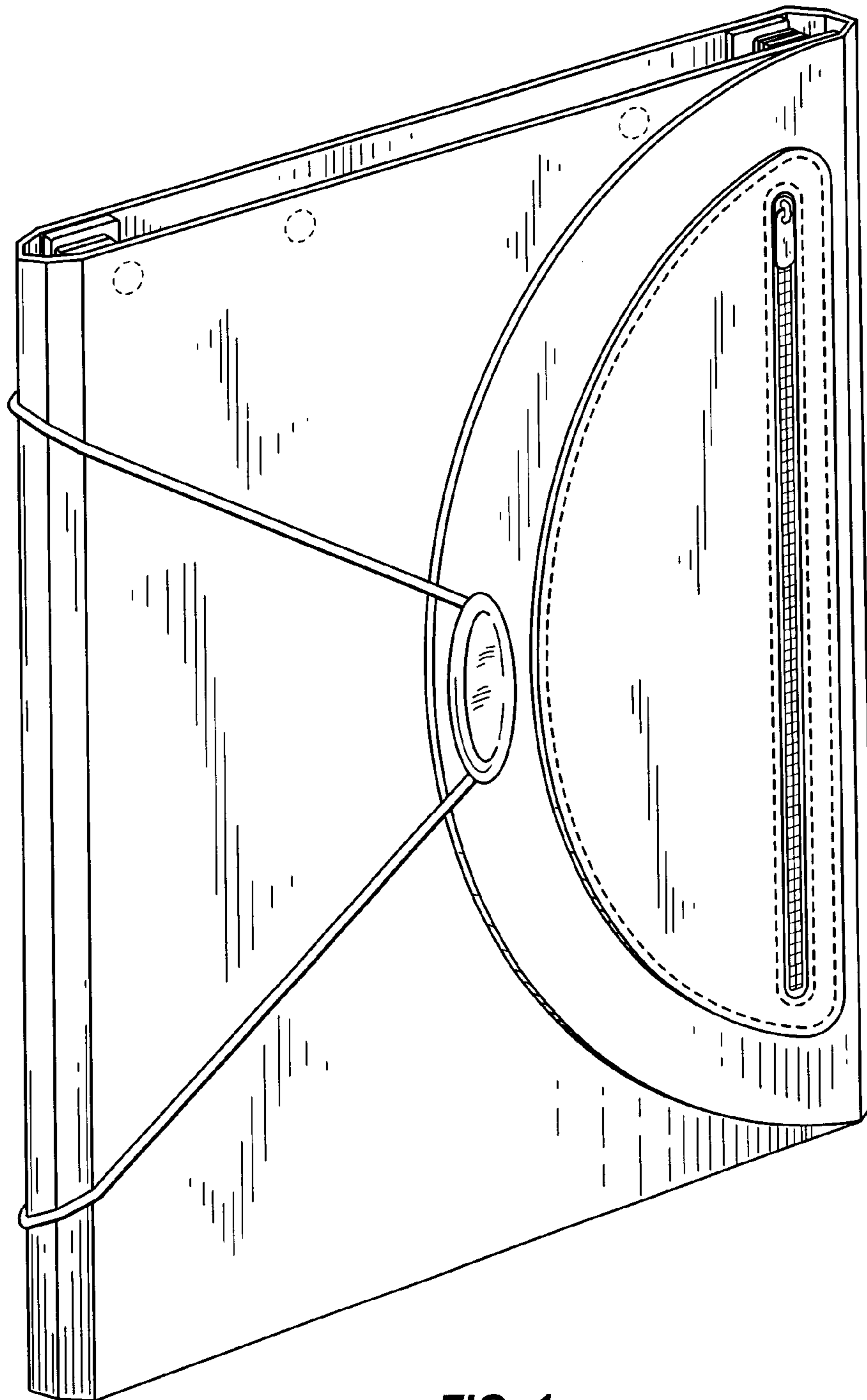


FIG. 1

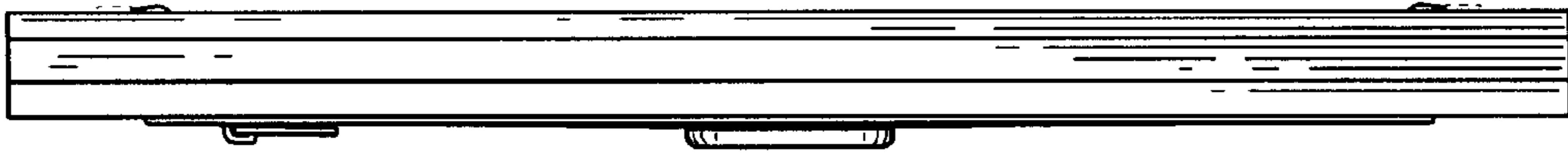


FIG. 4

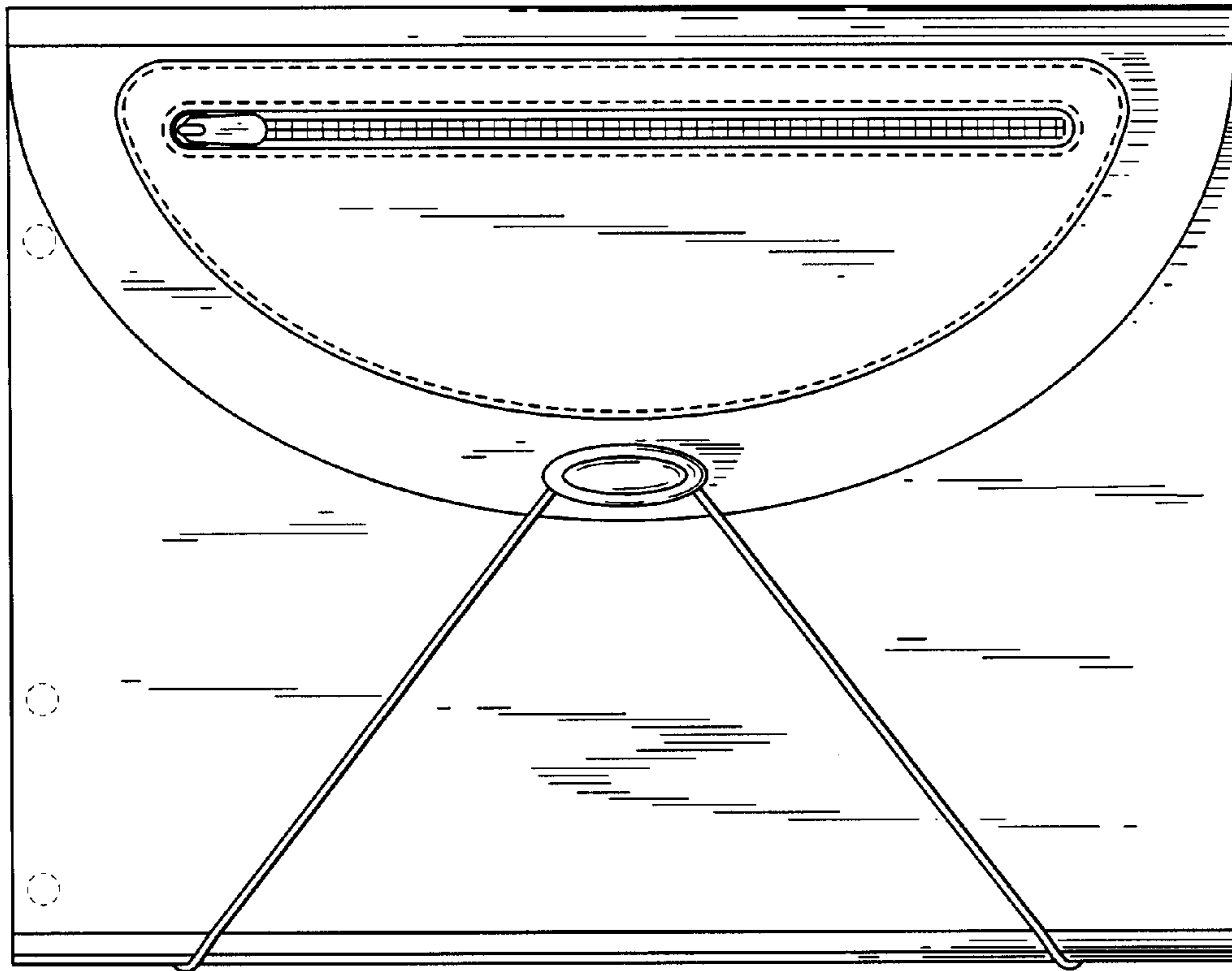


FIG. 2

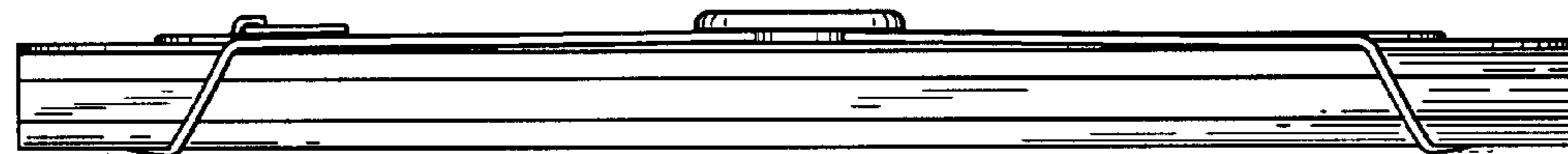


FIG. 3

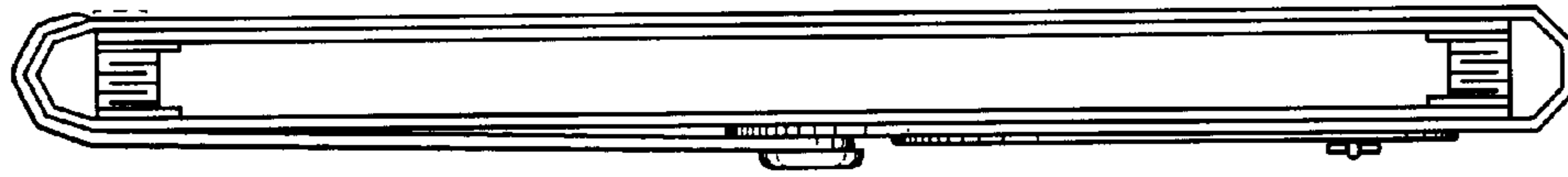


FIG. 5

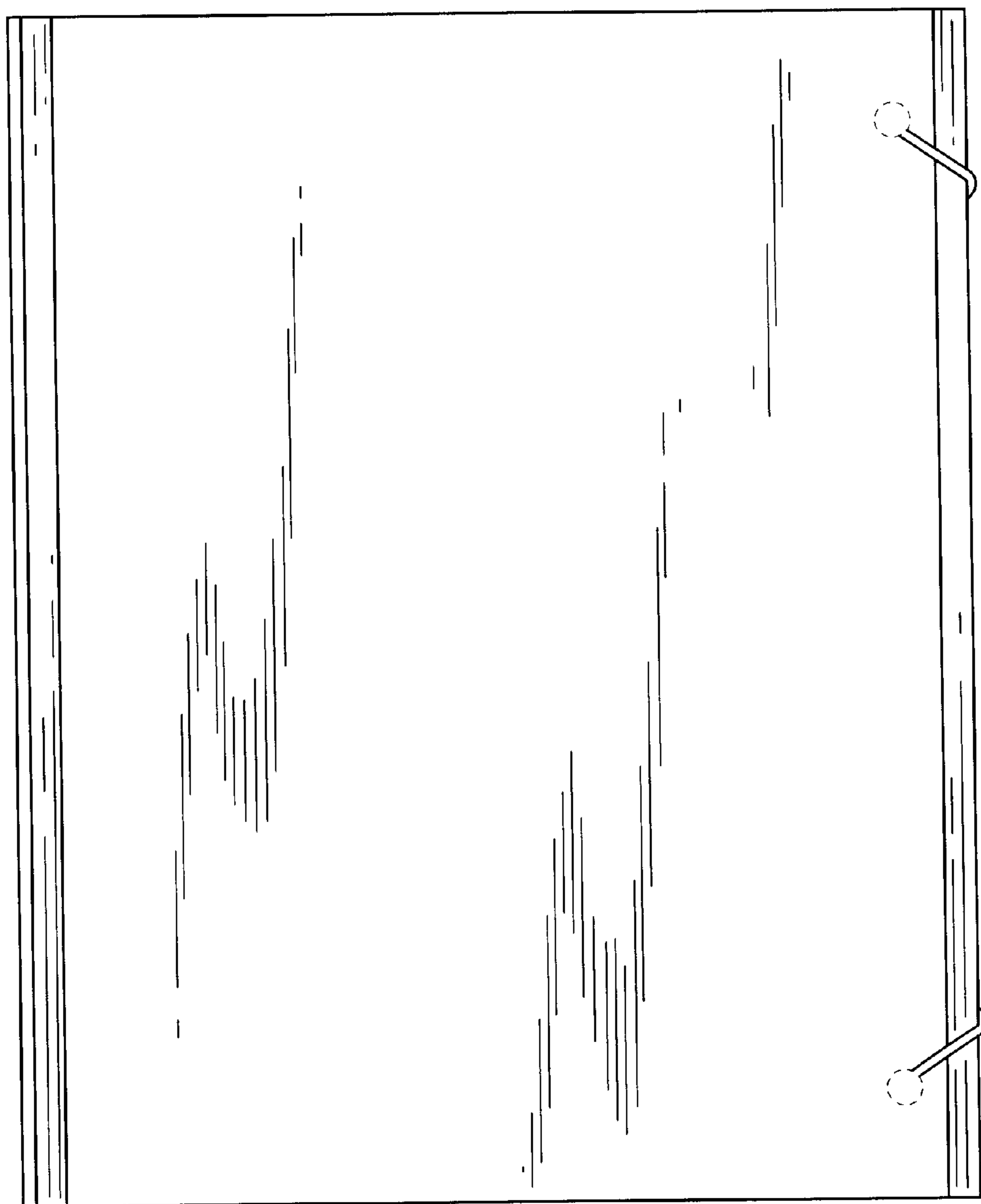


FIG. 6

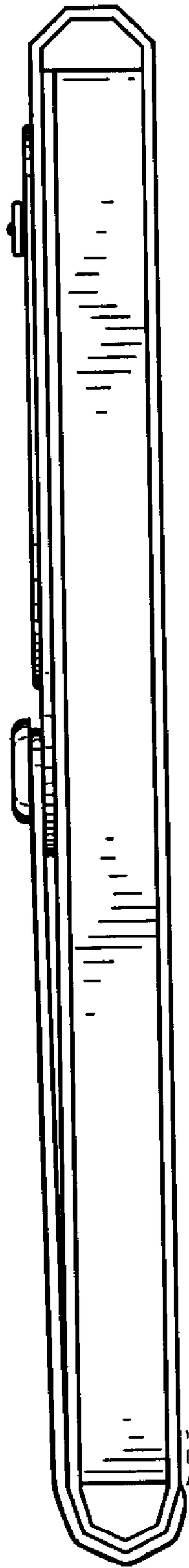


FIG. 7