

US00D521071S

(12) **United States Design Patent**
Awbrey et al.

(10) **Patent No.:** **US D521,071 S**

(45) **Date of Patent:** **** May 16, 2006**

(54) **NOTE PAD HOLDER**

(75) Inventors: **Jerry R. Awbrey**, Winder, GA (US);
Michael D. Brown, Bethlehem, GA (US)

(73) Assignee: **Innovation and Design, Inc.**,
Bethlehem, GA (US)

(**) Term: **14 Years**

(21) Appl. No.: **29/224,180**

(22) Filed: **Feb. 25, 2005**

(51) **LOC (8) Cl.** **19-02**

(52) **U.S. Cl.** **D19/78**

(58) **Field of Classification Search** D8/395;
D19/65, 78, 86, 87, 88, 90, 91, 92, 95; 24/67 R,
24/67.3, 67.5, 67.9, 67.11, 546, 547, 552,
24/561, 562, 563, 564; 206/215; 211/50;
248/302; 281/44, 45; 401/131

See application file for complete search history.

(56) **References Cited**

U.S. PATENT DOCUMENTS

2,730,781	A	*	1/1956	Alunas	24/67.5
3,869,760	A	*	3/1975	Meyer	24/562
4,157,152	A	*	6/1979	Blastic	224/247
D291,410	S	*	8/1987	Czyborra	D8/394
D334,411	S	*	3/1993	Kuroda	D19/65
D402,272	S	*	12/1998	Mezey	D13/177
5,881,434	A	*	3/1999	Rigney	24/11 R

2001/0044992 A1 * 11/2001 Jahrling 24/563

* cited by examiner

Primary Examiner—Caron D. Veynar

Assistant Examiner—Elizabeth Albert

(74) *Attorney, Agent, or Firm*—J. Bennett Mullinax, LLC

(57) **CLAIM**

The ornamental design for a note pad holder, as shown and described.

DESCRIPTION

FIG. 1 is a front perspective view of a first embodiment of a note pad holder.

FIG. 2 is a rear perspective view of the note pad holder seen in FIG. 1.

FIG. 3 is a top view of the note pad holder seen in FIG. 1.

FIG. 4 is a front plan view of the note pad holder seen in FIG. 1.

FIG. 5 is a right side view of the note pad holder seen in FIG. 1.

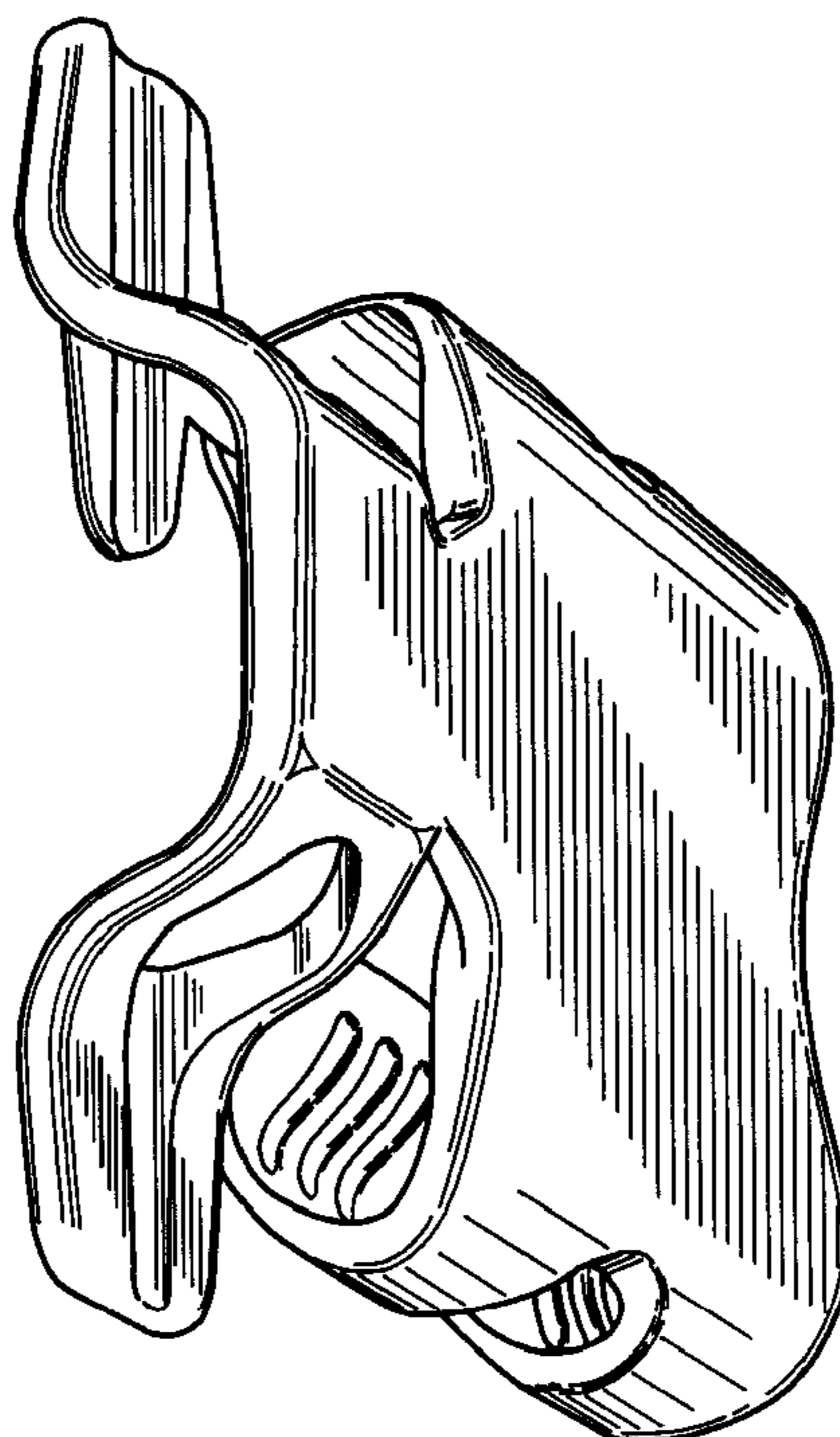
FIG. 6 is a rear plan view of the note pad holder seen in FIG. 1.

FIG. 7 is a left side view of the note pad holder seen in FIG. 1; and,

FIG. 8 is a bottom plan view of the note pad holder seen in FIG. 1.

The broken lines showing a writing instrument and note pad in FIG. 1 are for illustrative purposes only and form no part of the claimed design.

1 Claim, 3 Drawing Sheets



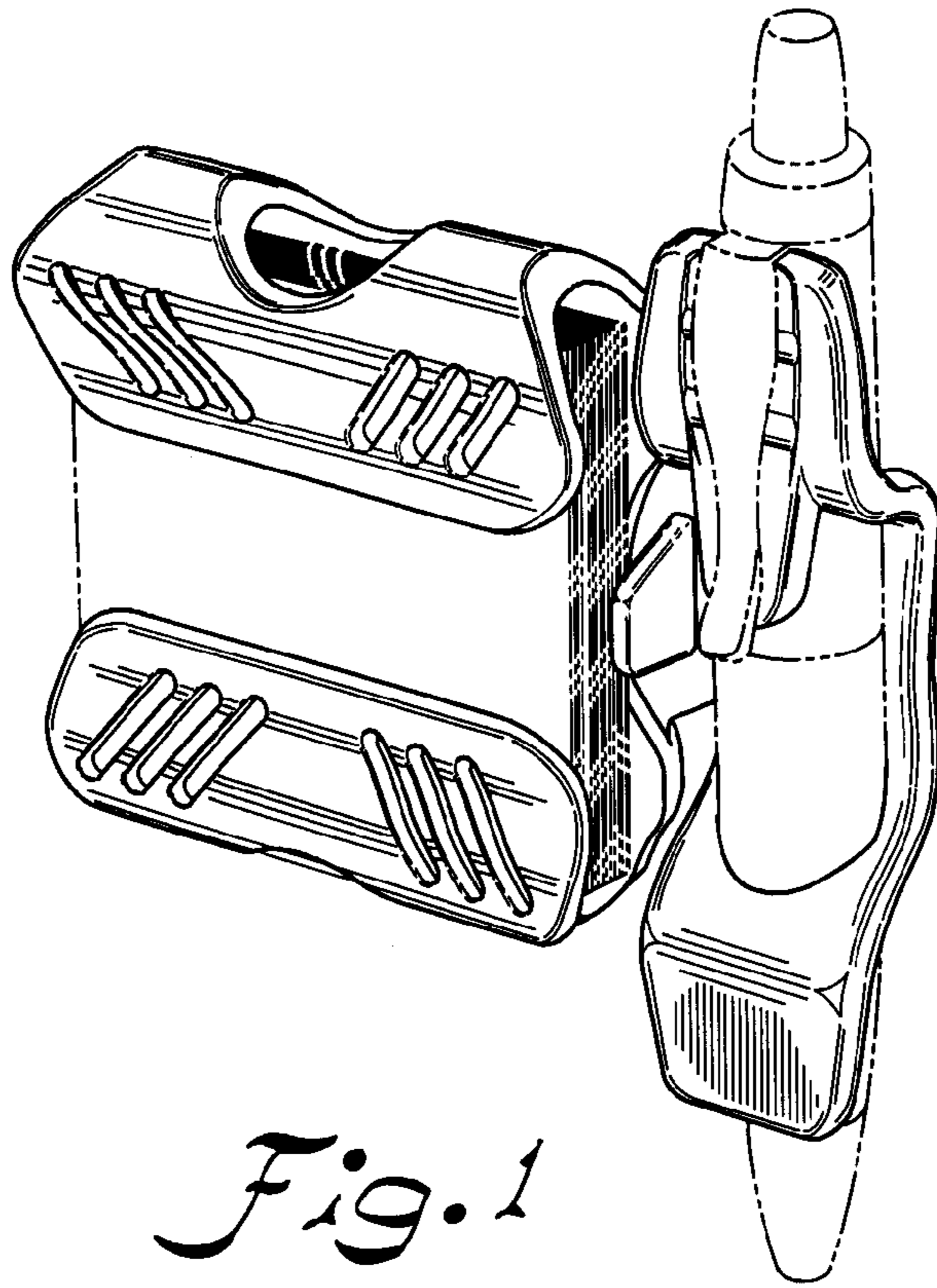


Fig. 1

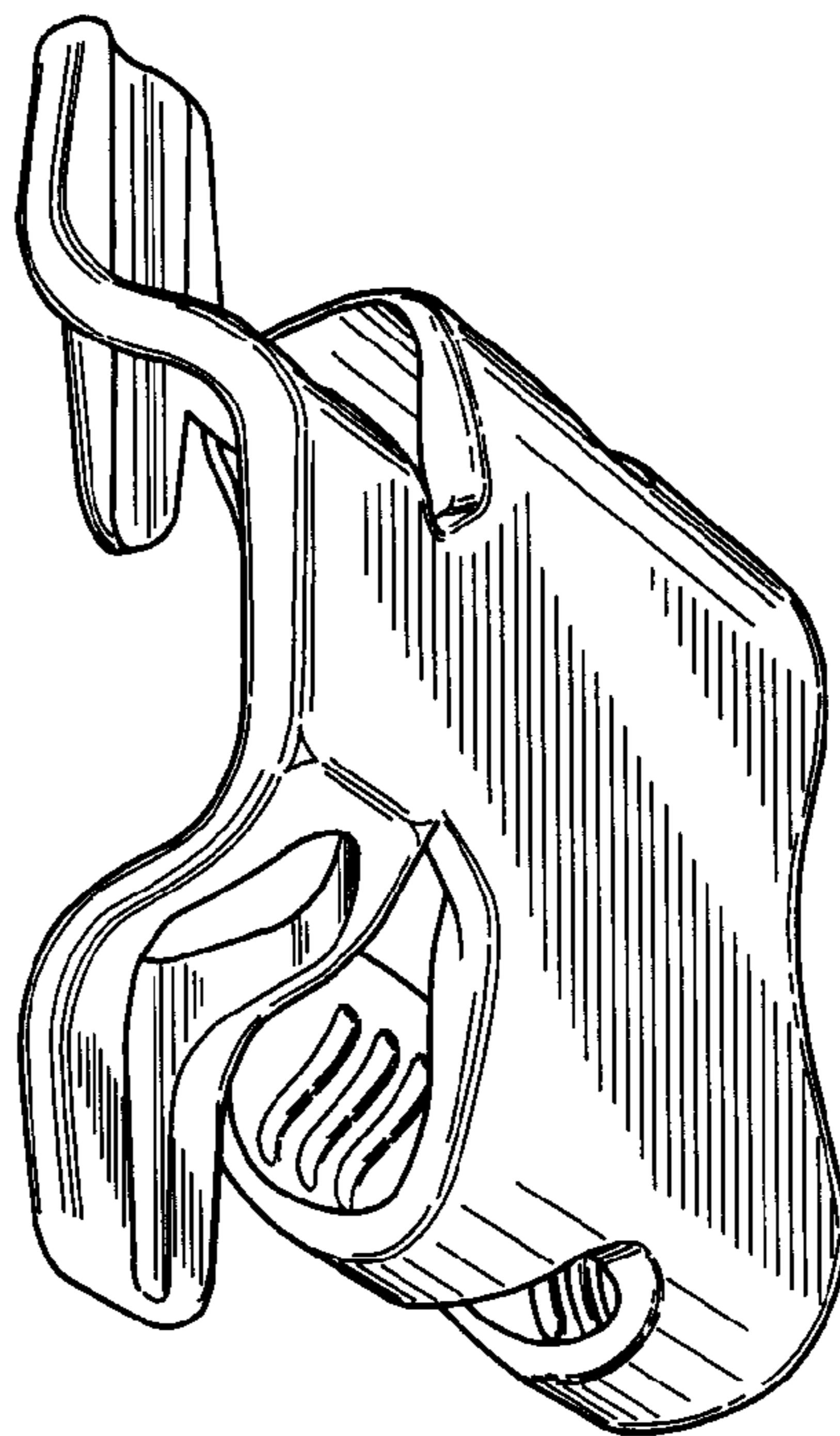


Fig. 2

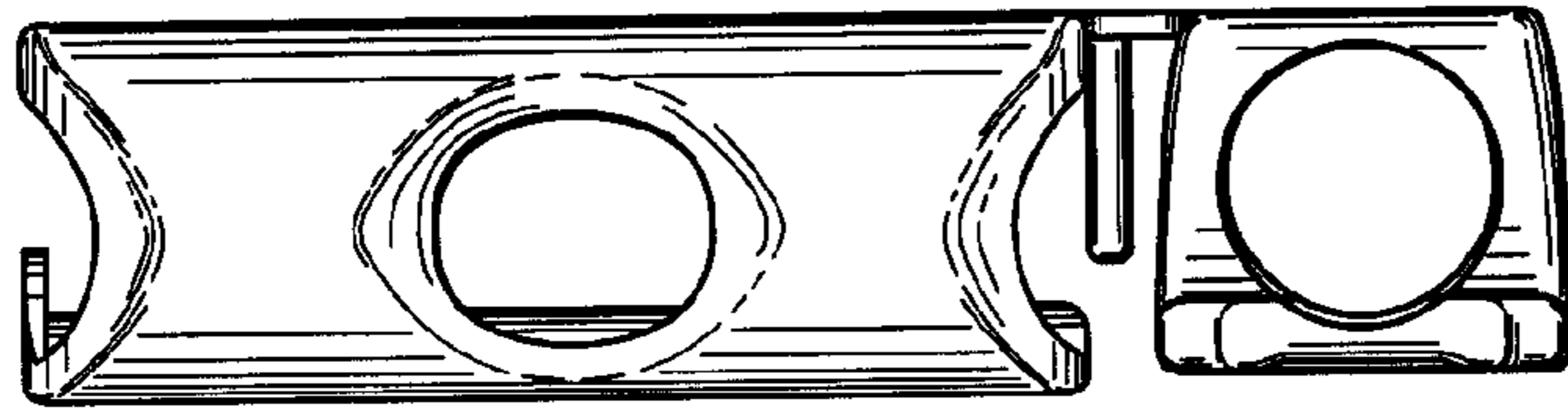


Fig. 3

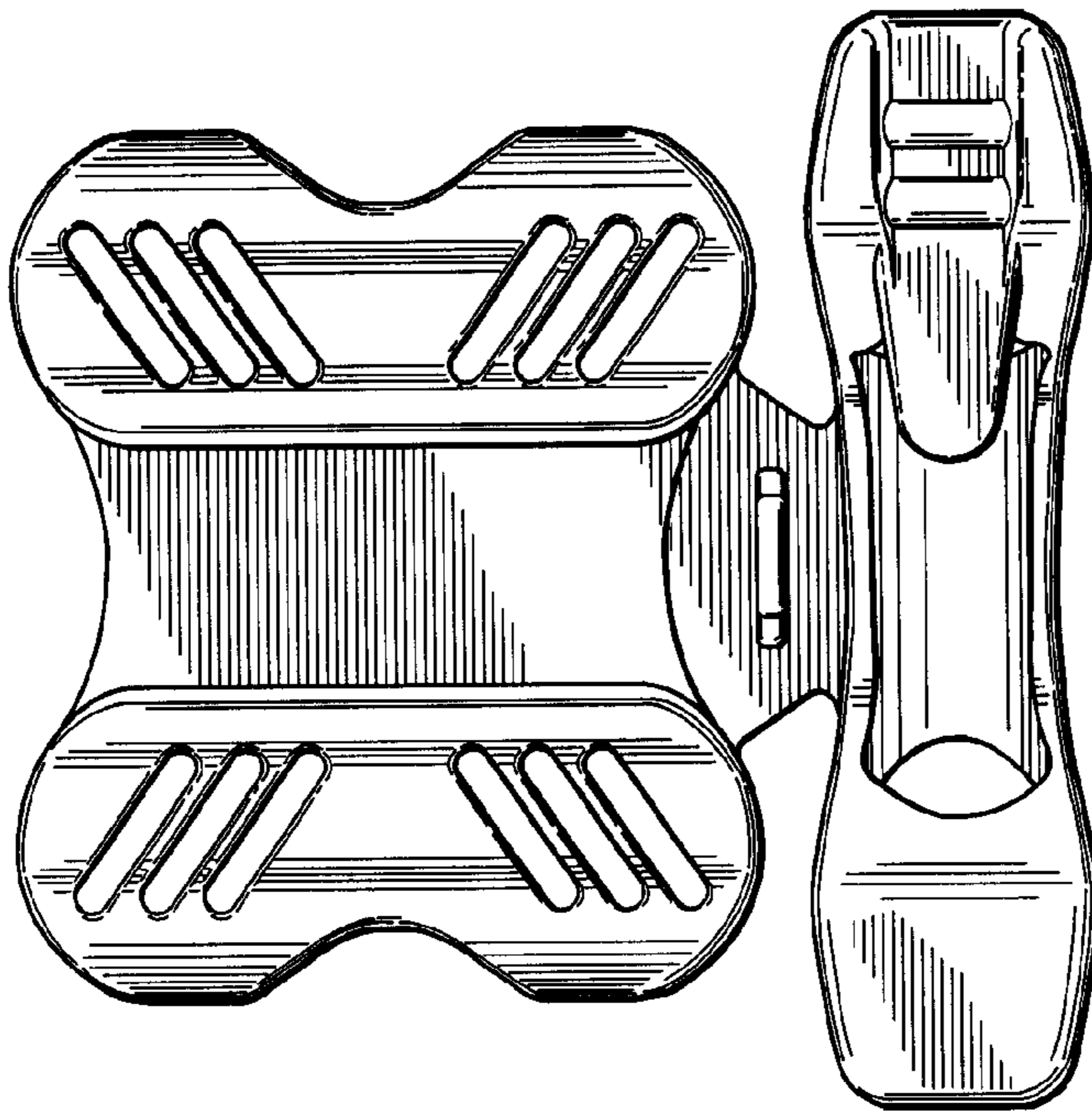


Fig. 4

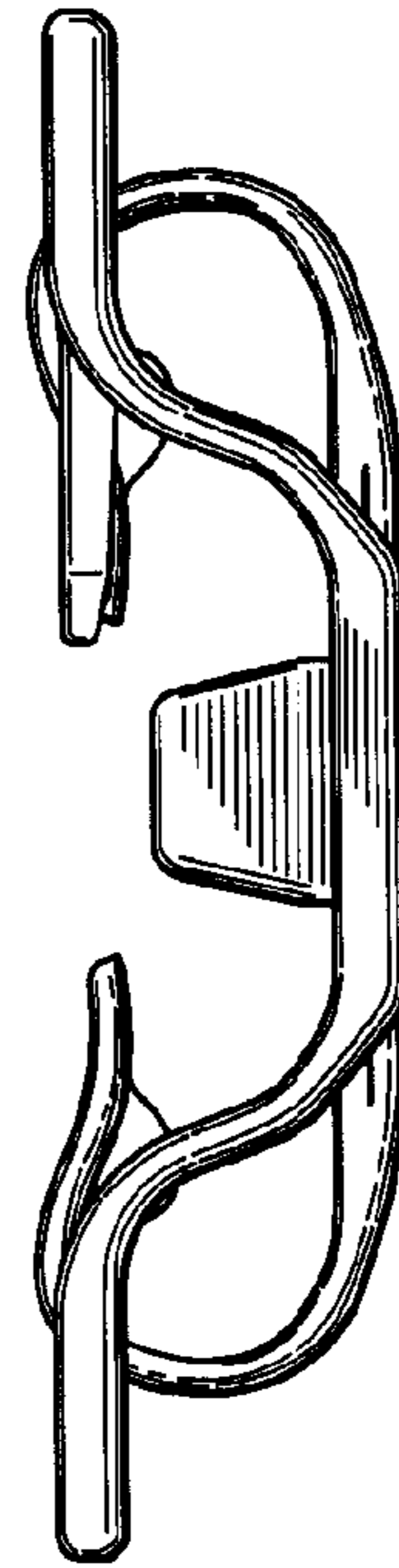


Fig. 5

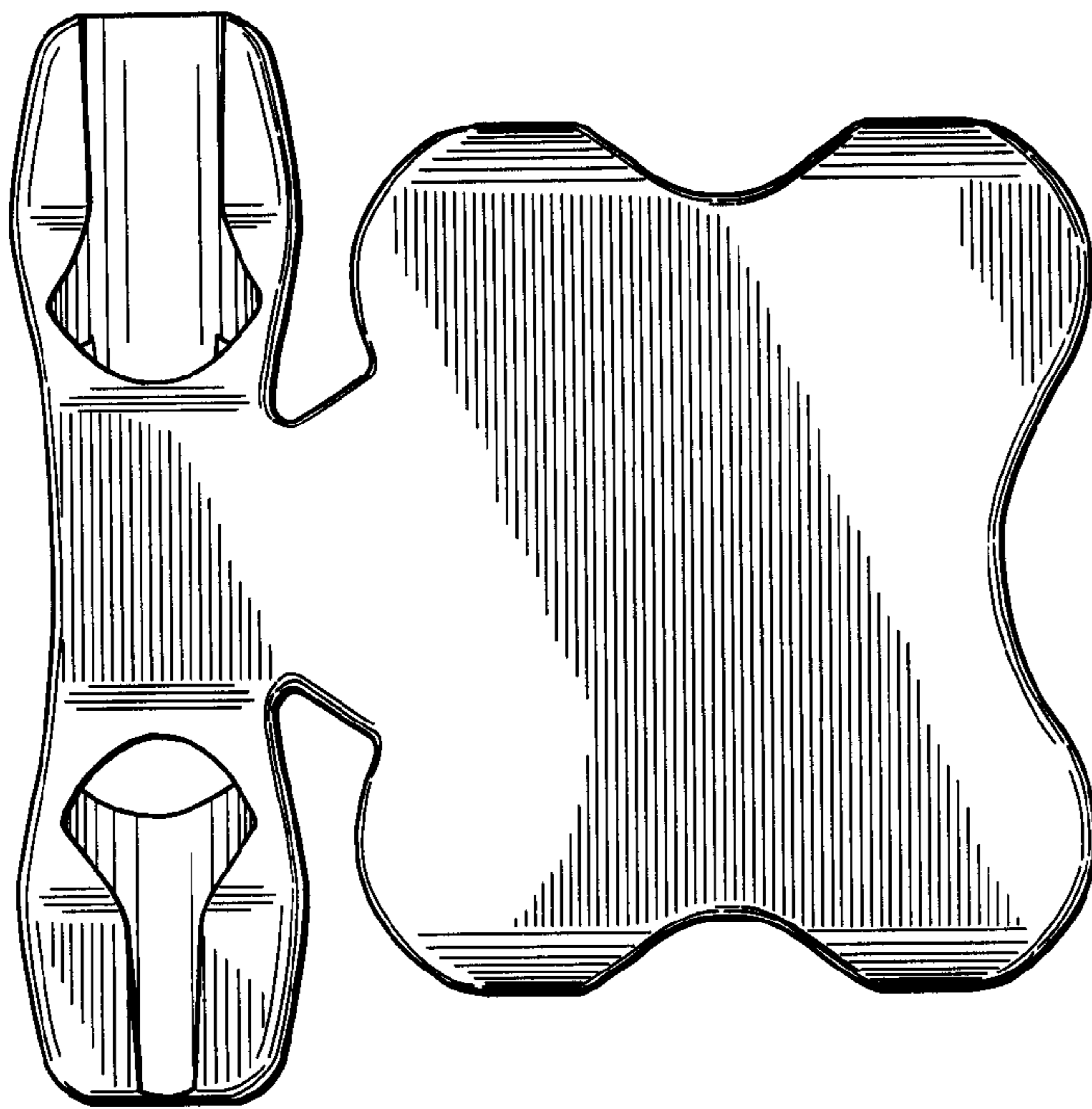


Fig. 6

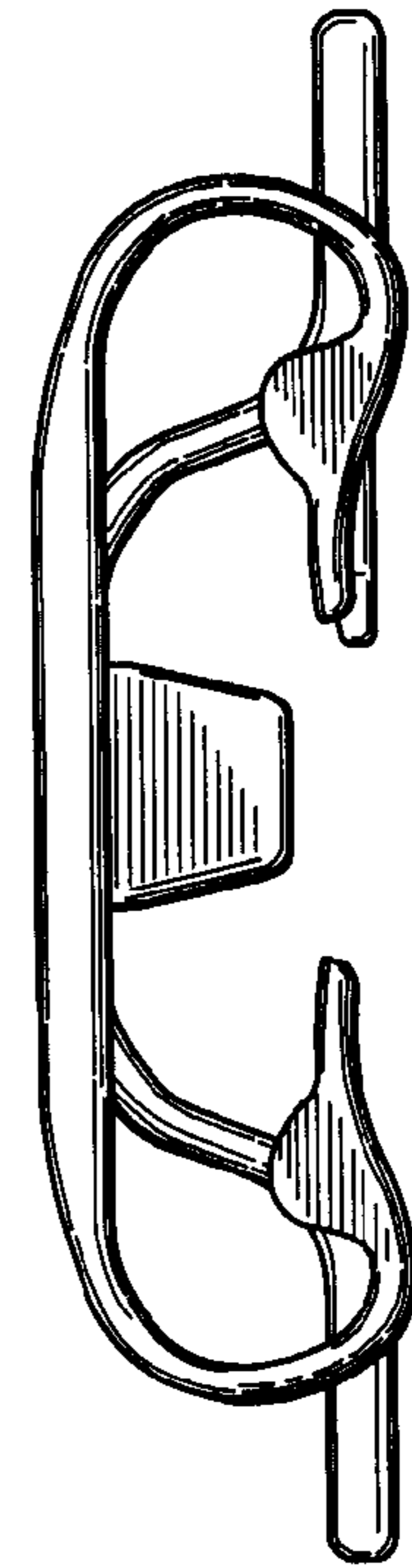


Fig. 7

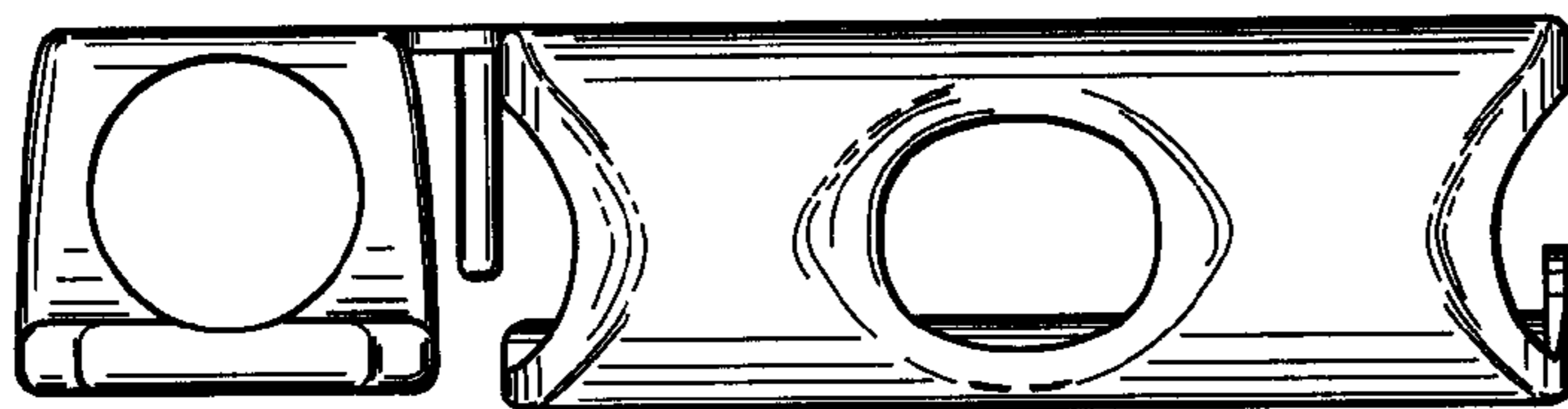


Fig. 8