



US00D521068S

(12) **United States Design Patent**  
**Newbould**

(10) **Patent No.:** **US D521,068 S**

(45) **Date of Patent:** **\*\* May 16, 2006**

(54) **FOLDING DRY ERASE BOARD**

(75) Inventor: **Peter Newbould**, Milan (IT)

(73) Assignee: **3M Innovative Properties Company**,  
St. Paul, MN (US)

(\*\*) Term: **14 Years**

(21) Appl. No.: **29/226,235**

(22) Filed: **Mar. 25, 2005**

(51) **LOC (8) Cl.** ..... **19-06**

(52) **U.S. Cl.** ..... **D19/52**

(58) **Field of Classification Search** ..... D6/300;  
D19/36, 52, 87, 88, 90, 91; D20/10, 42; 40/1,  
40/124.01, 611.02, 606.1; 428/455; 434/408,  
434/409, 415, 417, 421, 422, 425, 428; 248/460  
See application file for complete search history.

(56) **References Cited**

U.S. PATENT DOCUMENTS

D246,180	S	*	10/1977	Yamauchi	.....	D19/52
4,828,502	A	*	5/1989	Leahy	.....	434/416
5,028,075	A	*	7/1991	Donnelly	.....	281/49
D346,067	S	*	4/1994	Bell et al.	.....	D6/300
D391,987	S	*	3/1998	Jambhekar et al.	.....	D14/345
6,241,528	B1	*	6/2001	Myers	.....	434/408
6,527,243	B1	*	3/2003	Kume, Jr.	.....	248/448
D509,247	S		9/2005	Nash		
2001/0040207	A1	*	11/2001	Richardson	.....	248/460

OTHER PUBLICATIONS

U.S. Appl. No. 29/230,773, filed May 26, 2005, James E. Nash, entitled "Folding Dry Erase Board", (3M File No. 59908US005), pending.

U.S. Appl. No. 11/132,536, filed May 19, 2005, James E. Nash, Craig D. Thompson, Daniel A. Japuntich, entitled "Easel Stand Mountable Display Board", (3M File No. 59908US006), pending.

\* cited by examiner

*Primary Examiner*—Caron D. Veynar  
*Assistant Examiner*—Elizabeth Albert

(57) **CLAIM**

The ornamental design for a folding dry erase board, as shown and described.

**DESCRIPTION**

FIG. 1 is an isometric view of a folding dry erase board according to the present invention in an open position;

FIG. 2 is a front view of the folding dry erase board illustrated in FIG. 1;

FIG. 3 is a back view of the folding dry erase board illustrated in FIG. 1;

FIG. 4 is a left side view of the folding dry erase board illustrated in FIG. 1, the right side view being a mirror image thereof;

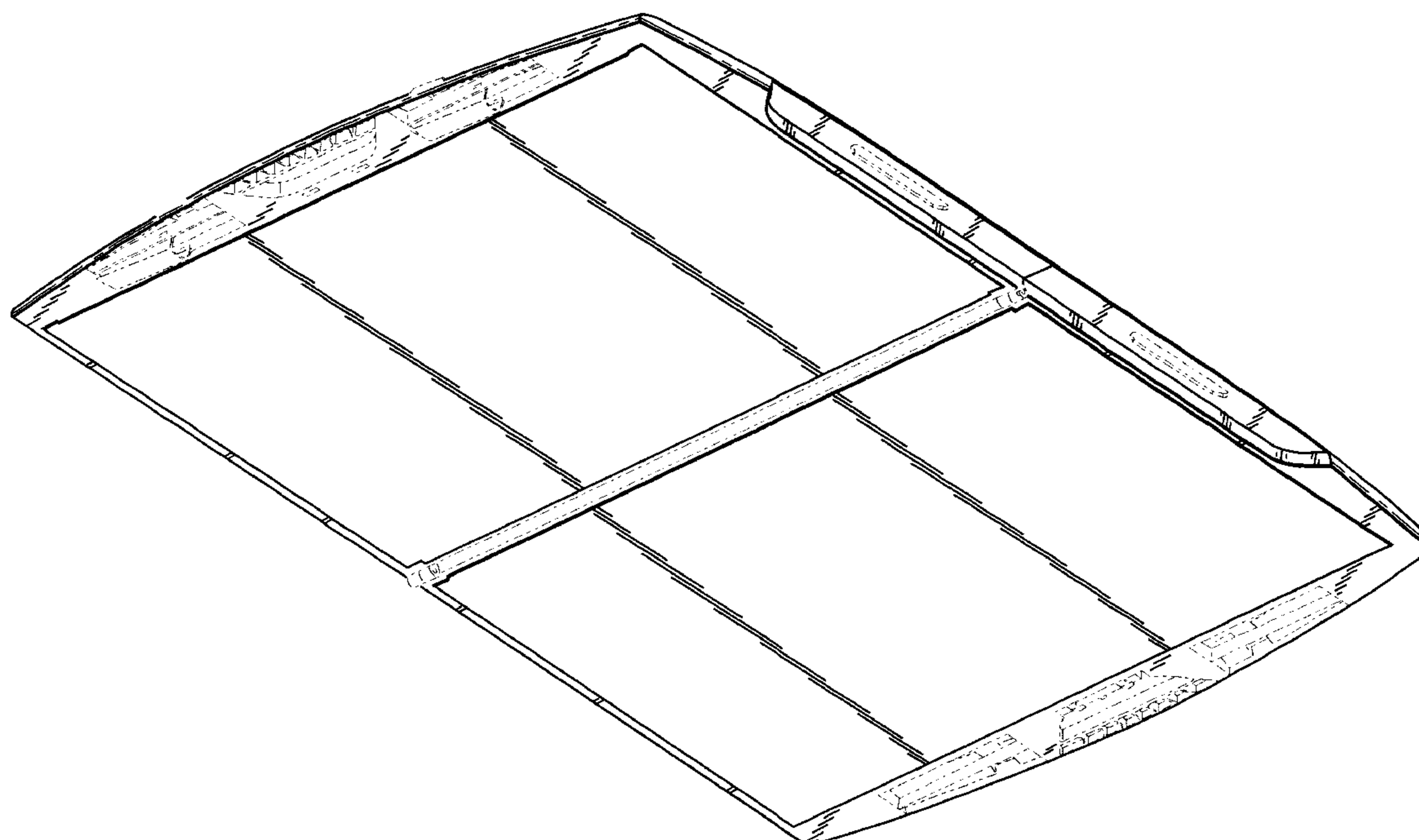
FIG. 5 is a bottom view of the folding dry erase board illustrated in FIG. 1;

FIG. 6 is an inverted top view of the folding dry erase board illustrated in FIG. 1; and,

FIG. 7 is an isometric view of the folding dry erase board according to the present invention in a closed position.

The structure depicted by means of broken lines in the figures has been shown for illustrative purposes only and forms no part of the claimed design.

**1 Claim, 5 Drawing Sheets**



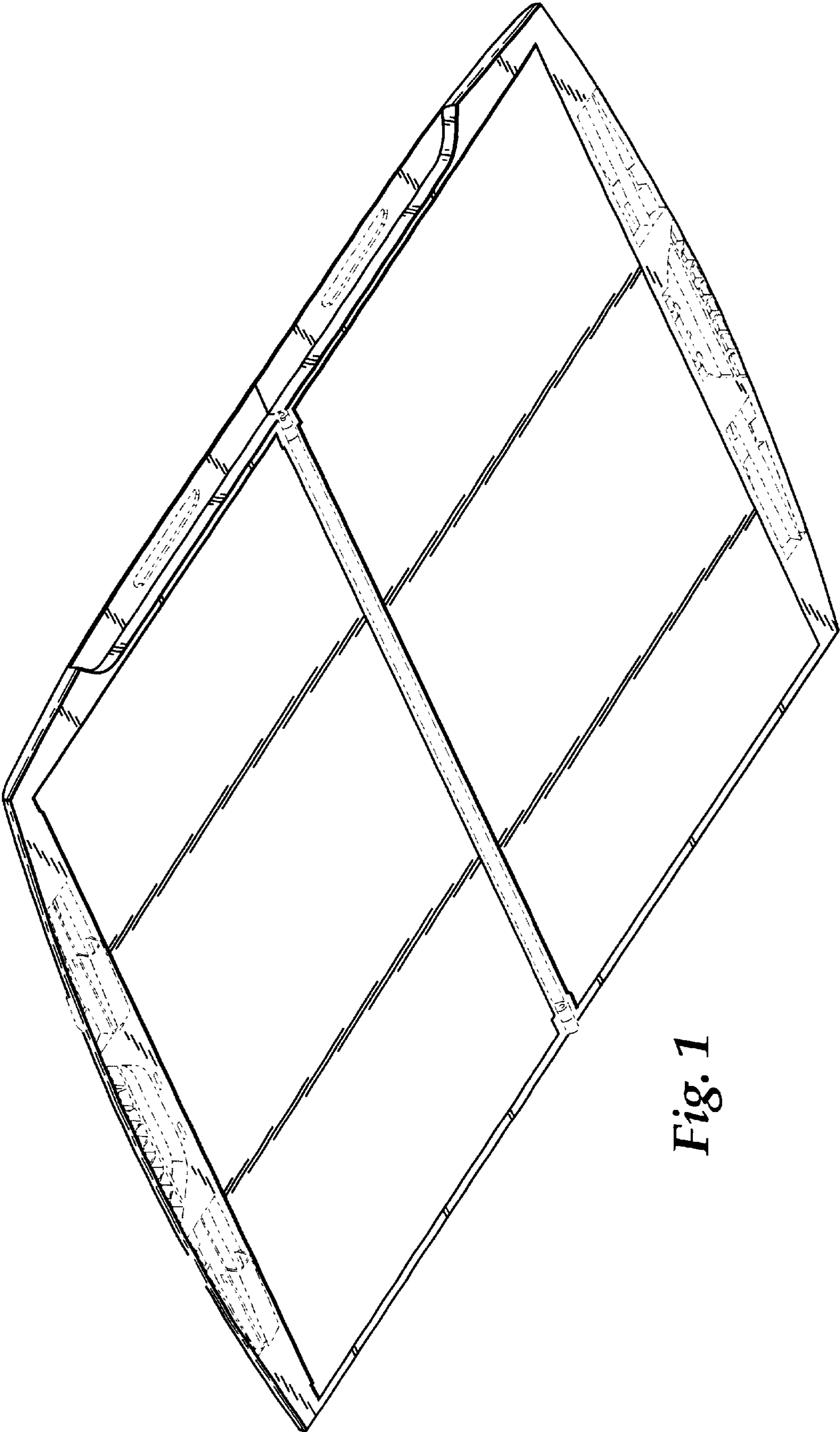
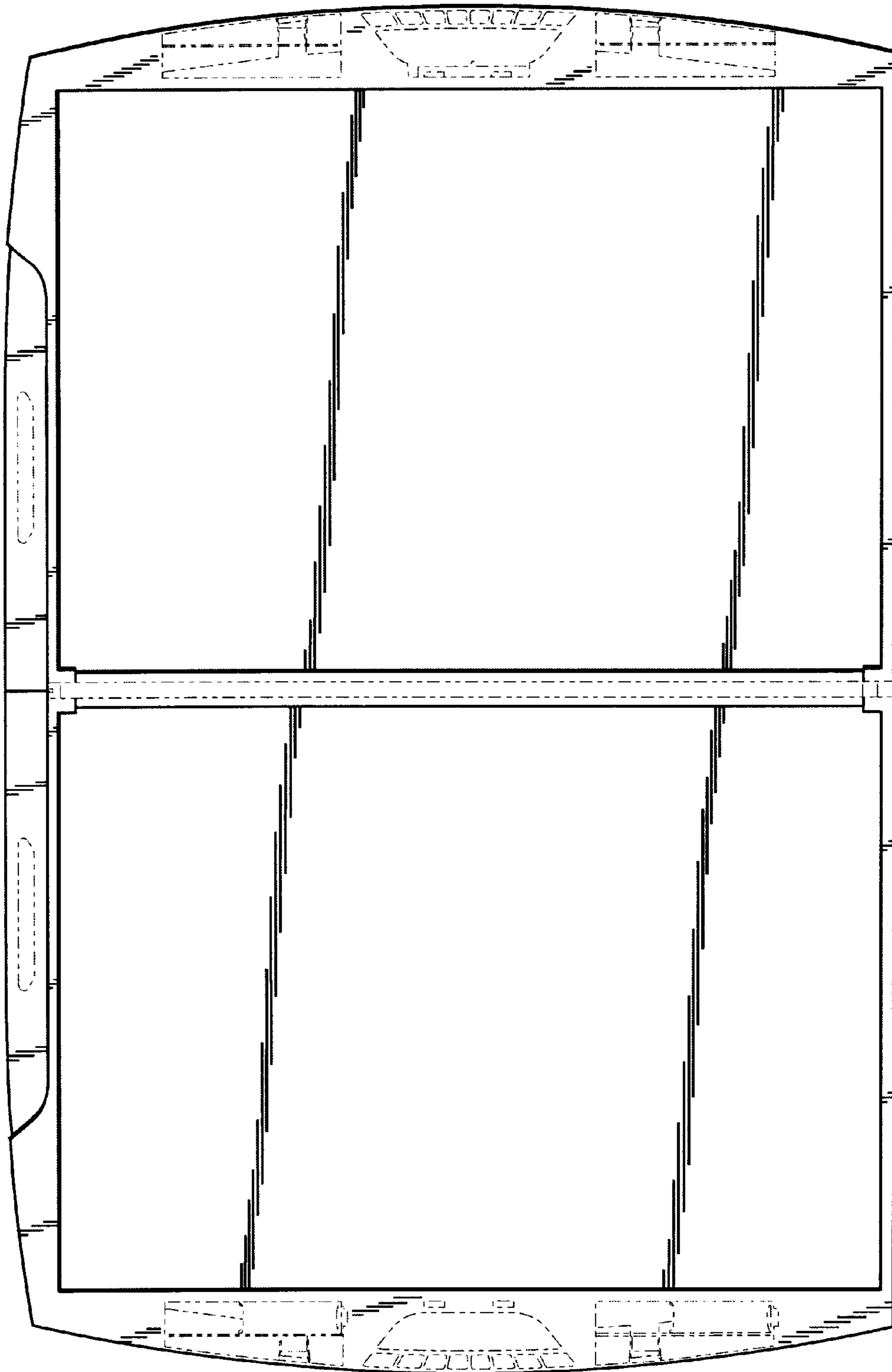
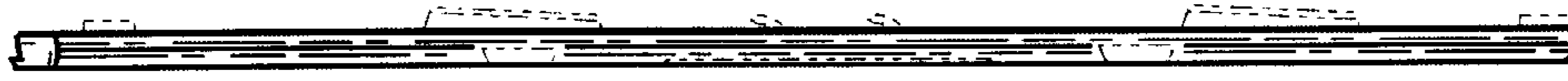


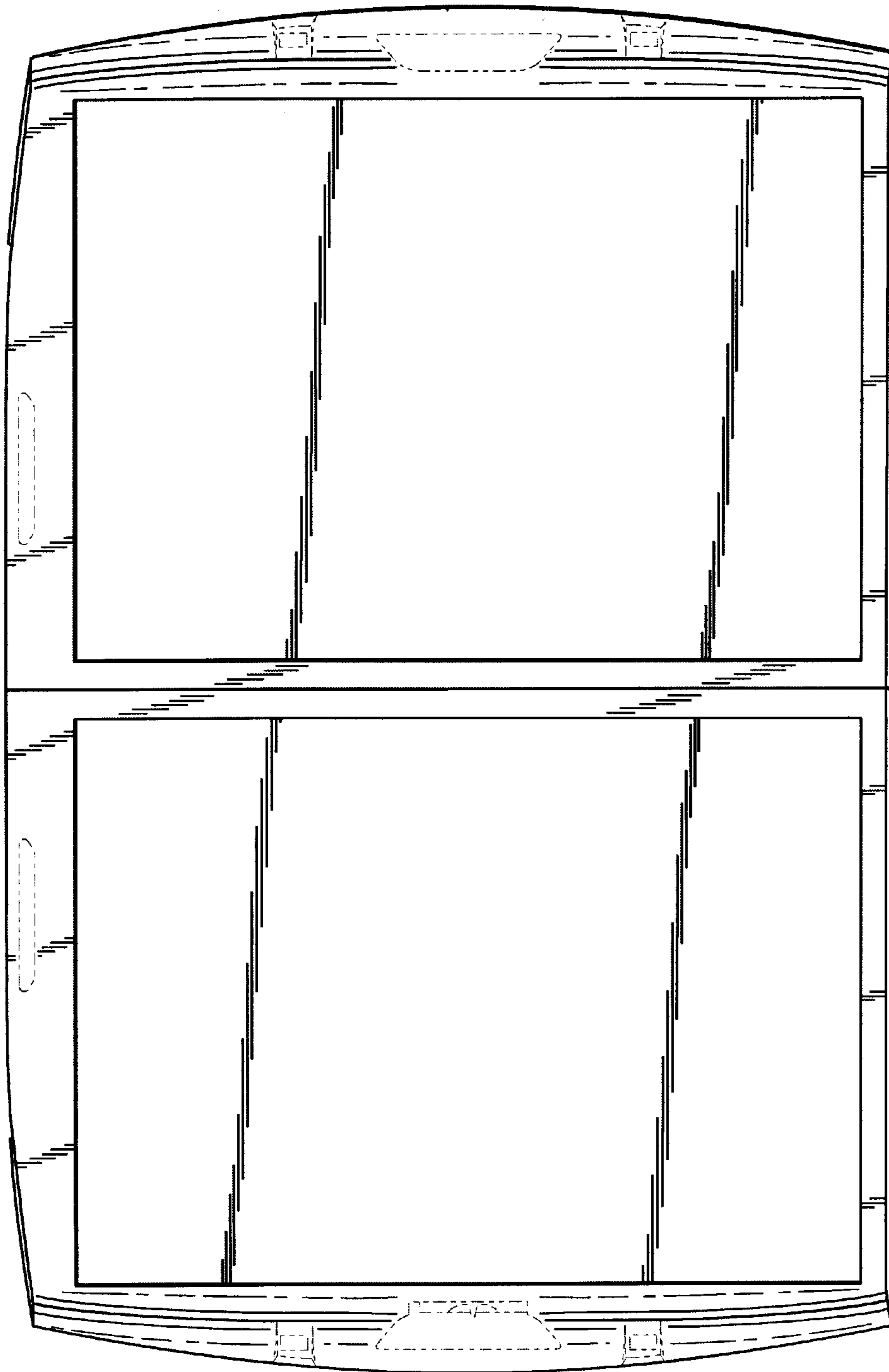
Fig. 1



*Fig. 2*



*Fig. 4*



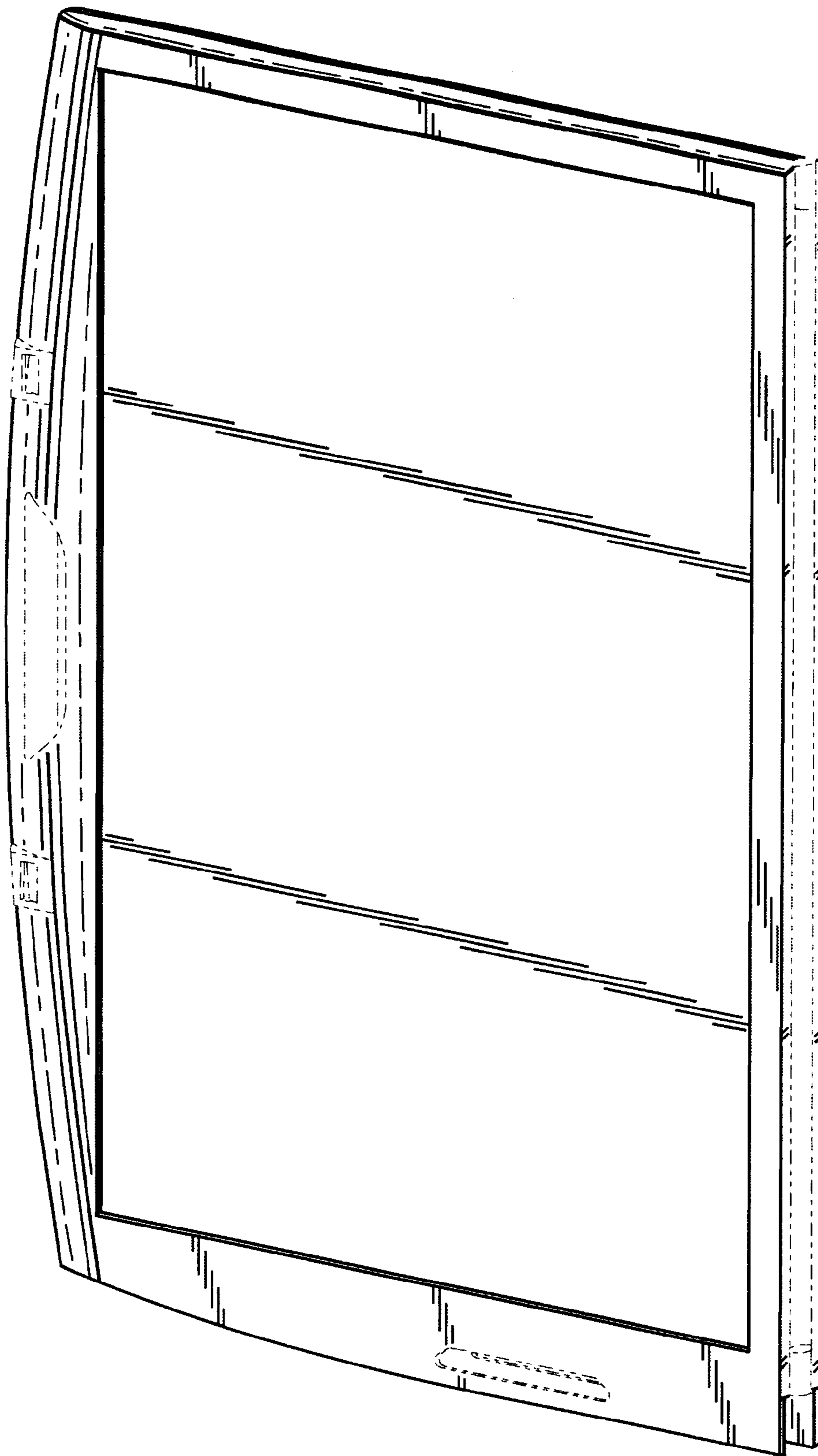
*Fig. 3*



*Fig. 5*



*Fig. 6*



*Fig. 7*