



US00D521065S

(12) **United States Design Patent**
Jones et al.

(10) **Patent No.:** **US D521,065 S**
(45) **Date of Patent:** **** May 16, 2006**

(54) **INK STICK FOR PHASE CHANGE INK JET PRINTER**

(75) Inventors: **Brent R. Jones**, Tualatin, OR (US);
Kelvin Kwong, Tualatin, OR (US);
Scott J. Korn, Portland, OR (US)

(73) Assignee: **Xerox Corporation**, Stamford, CT (US)

(**) Term: **14 Years**

(21) Appl. No.: **29/216,671**

(22) Filed: **Nov. 5, 2004**

(51) **LOC (8) Cl.** **18-02**

(52) **U.S. Cl.** **D18/56; 347/88**

(58) **Field of Classification Search** D18/56;
D21/499, 500; 106/31.29, 31.61; 273/156,
273/160; 347/88, 99; 434/92, 96; 466/122,
466/124, 125

See application file for complete search history.

(56) **References Cited**

U.S. PATENT DOCUMENTS

2,877,506	A	*	3/1959	Almoslino	446/122
D415,193	S	*	10/1999	Jones	D18/56
D500,516	S	*	1/2005	Jones et al.	D18/56
D500,783	S	*	1/2005	Jones et al.	D18/56
6,893,121	B1	*	5/2005	Jones	347/88

D506,779	S	*	6/2005	Jones et al.	D18/56
2003/0202074	A1	*	10/2003	Jones	347/99
2003/0222951	A1	*	12/2003	Jones	347/88

OTHER PUBLICATIONS

List of Tektronix/Xerox Corporation Solid Ink Products sold at least one year prior to Apr. 29, 2002. Included by applicants with informal information disclosure statement list of co-pending applications.*

* cited by examiner

Primary Examiner—Kathy Anne MacCormac

(74) *Attorney, Agent, or Firm*—David J. Arthur

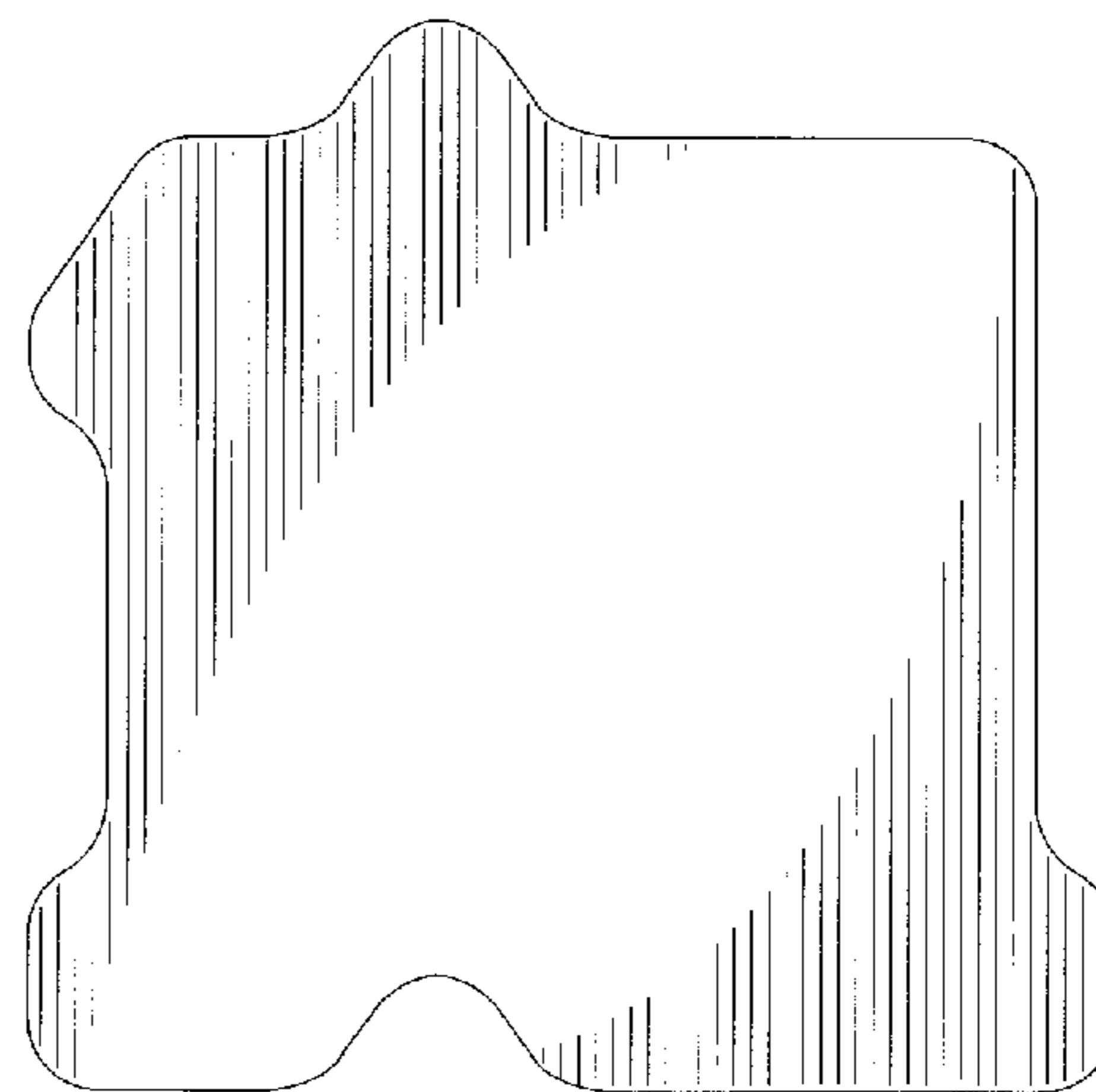
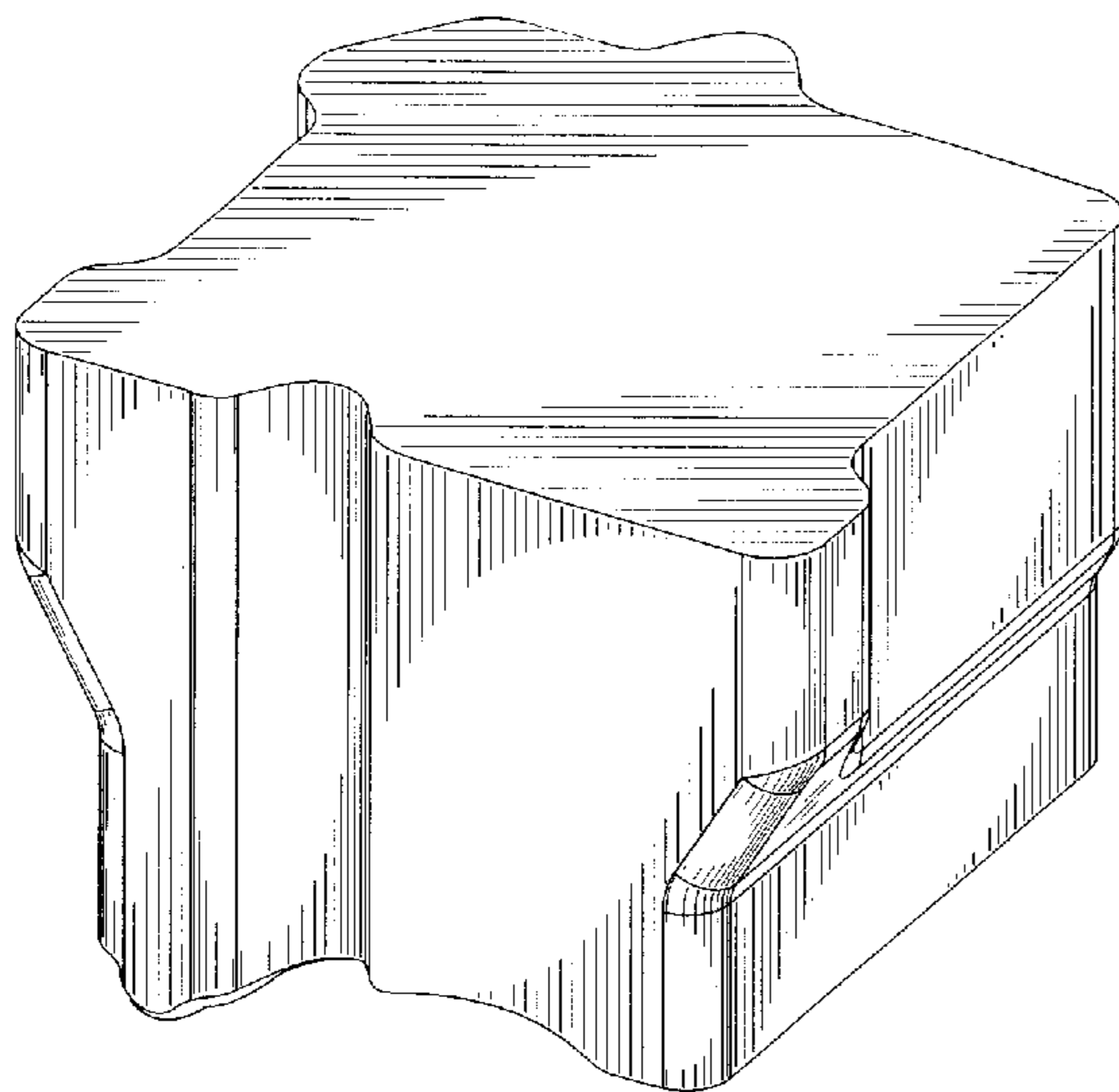
(57) **CLAIM**

The ornamental design for an ink stick for phase change ink jet printer, as shown.

DESCRIPTION

FIG. 1 is a perspective view of an ink stick for phase change ink jet printer illustrating the new design; FIG. 2 is a front elevational view thereof; FIG. 3 is a right side elevational view thereof; FIG. 4 is a rear elevational view thereof; FIG. 5 is a left side elevational view thereof; FIG. 6 is a top plan view thereof; and, FIG. 7 is a bottom plan view thereof.

1 Claim, 4 Drawing Sheets



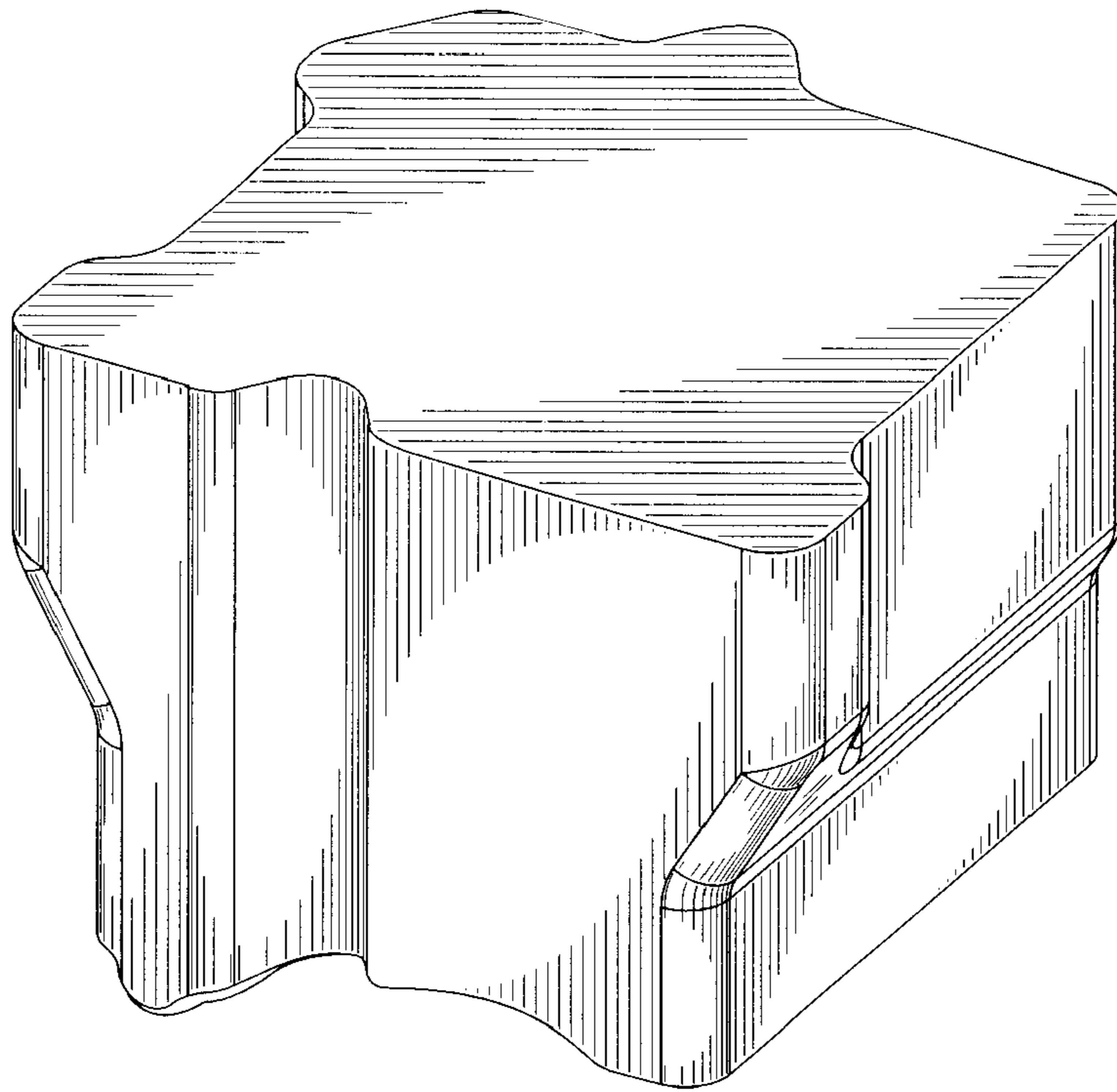


FIG. 1

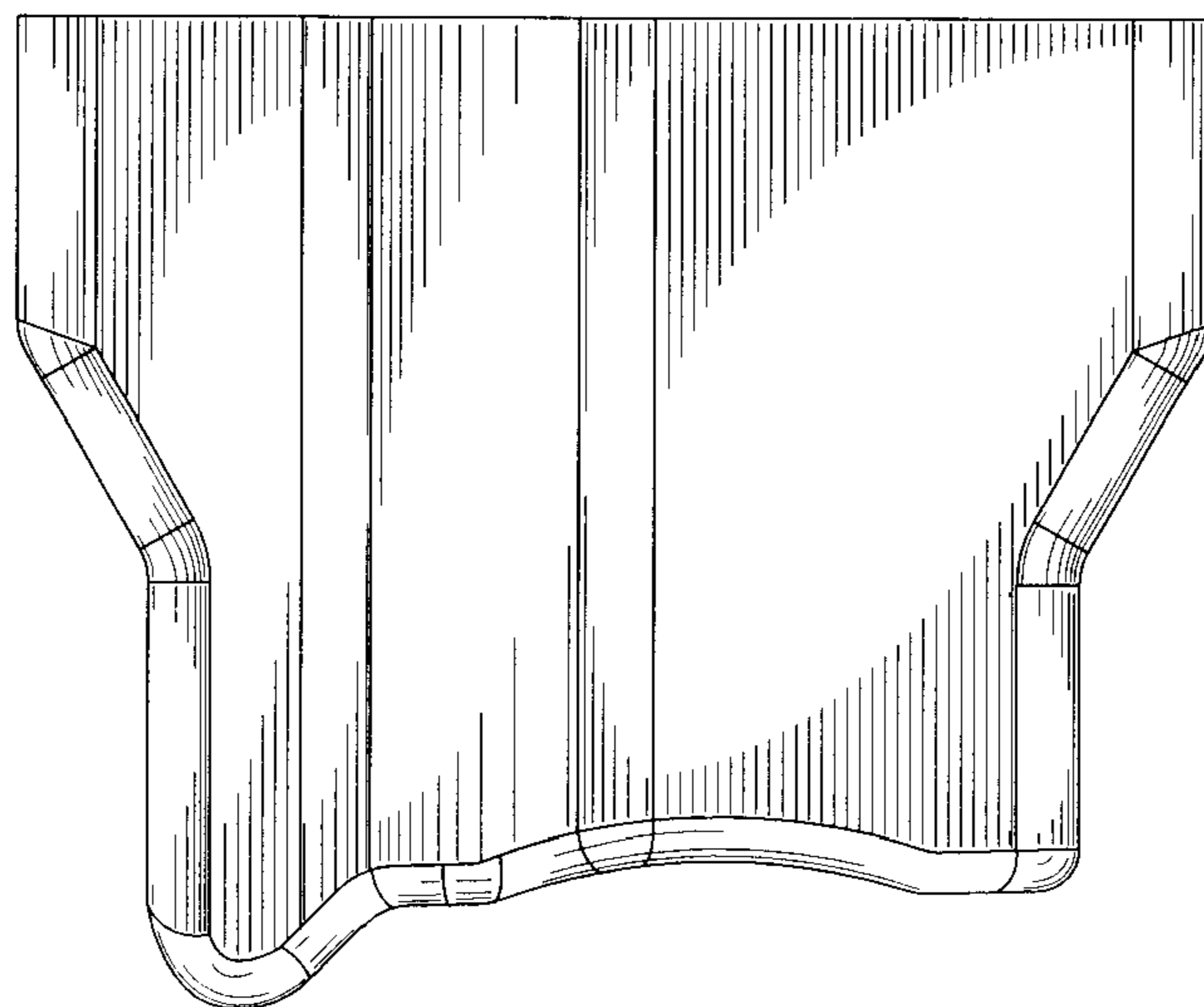


FIG. 2

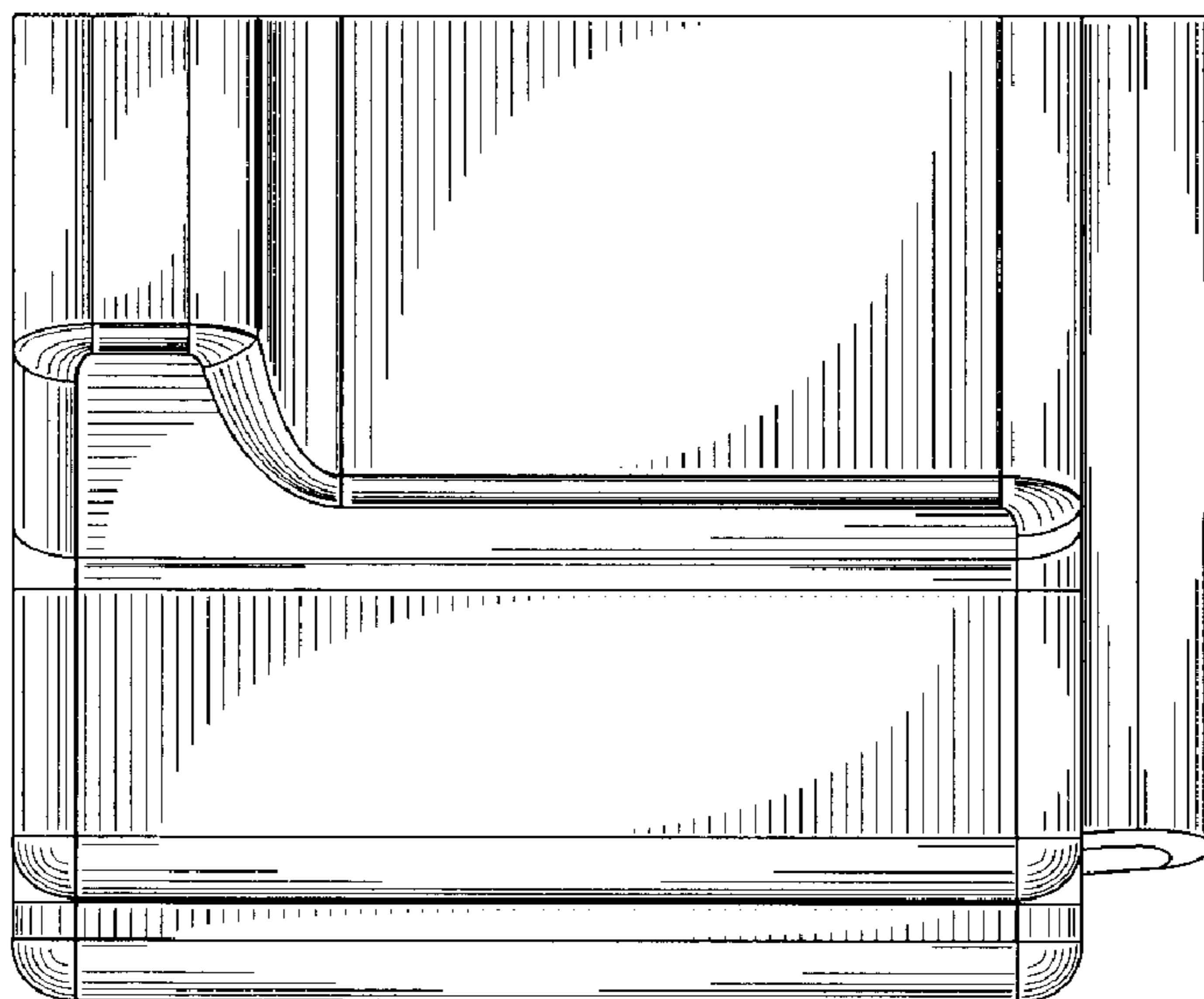


FIG. 3

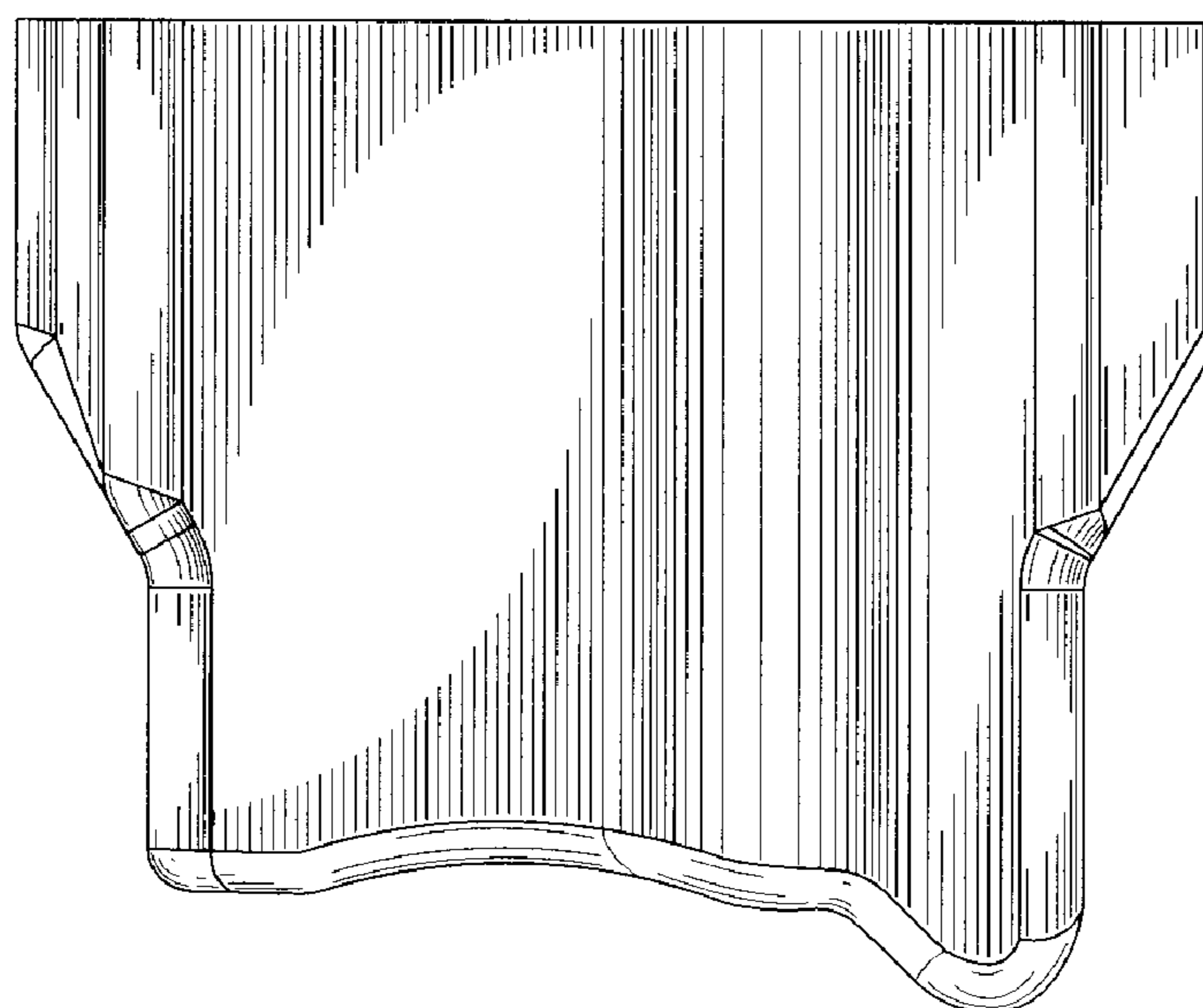


FIG. 4

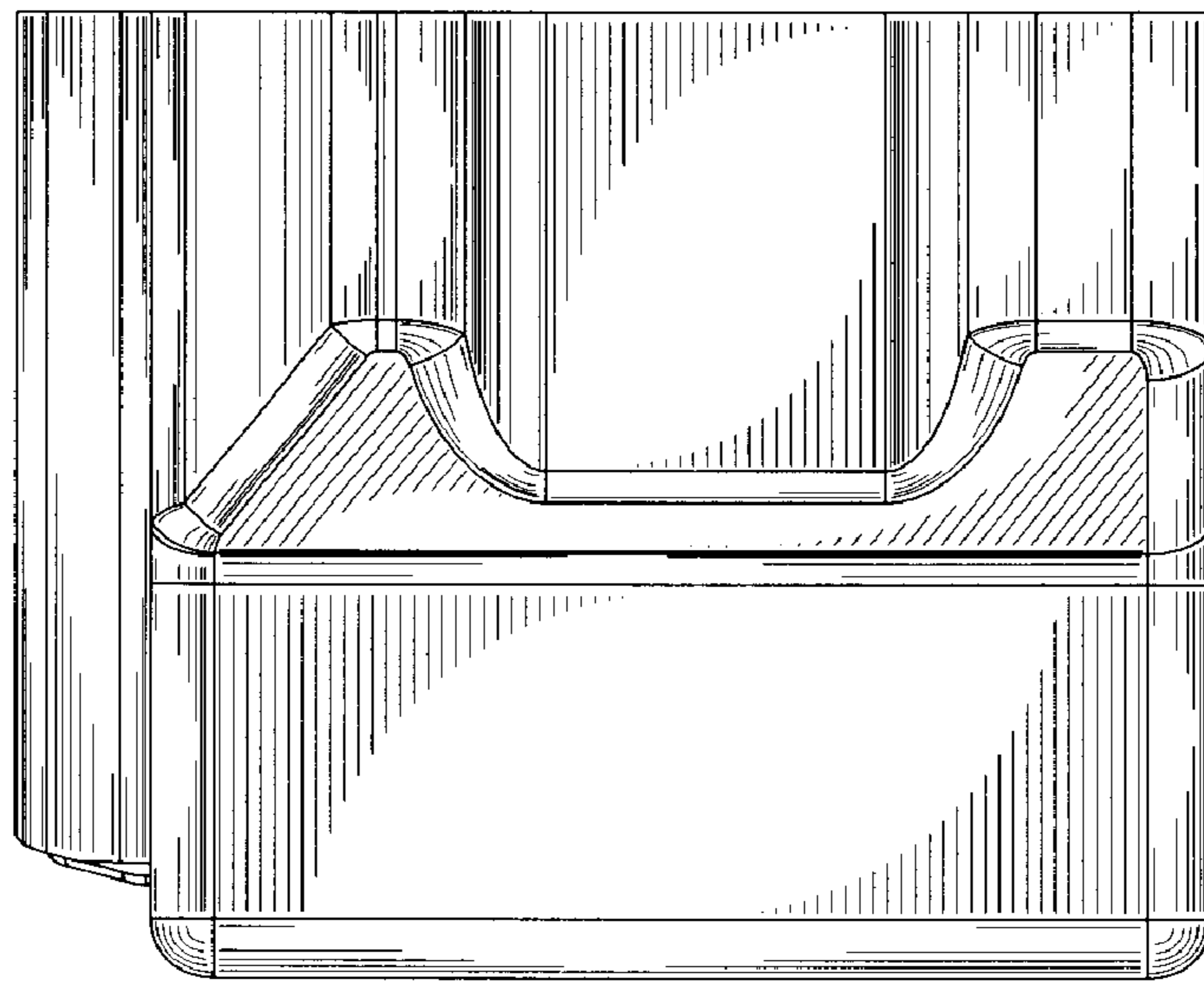


FIG. 5

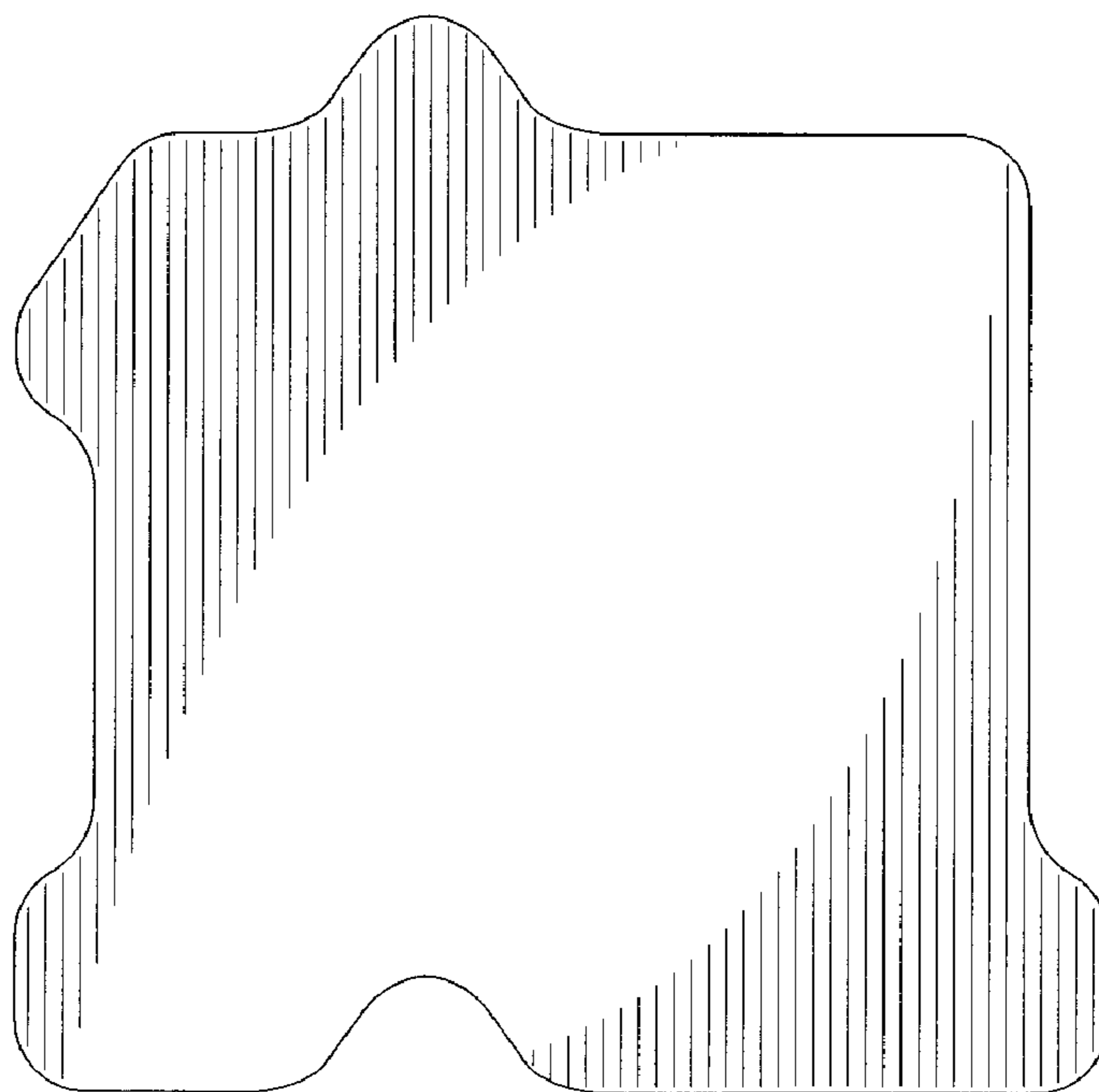


FIG. 6

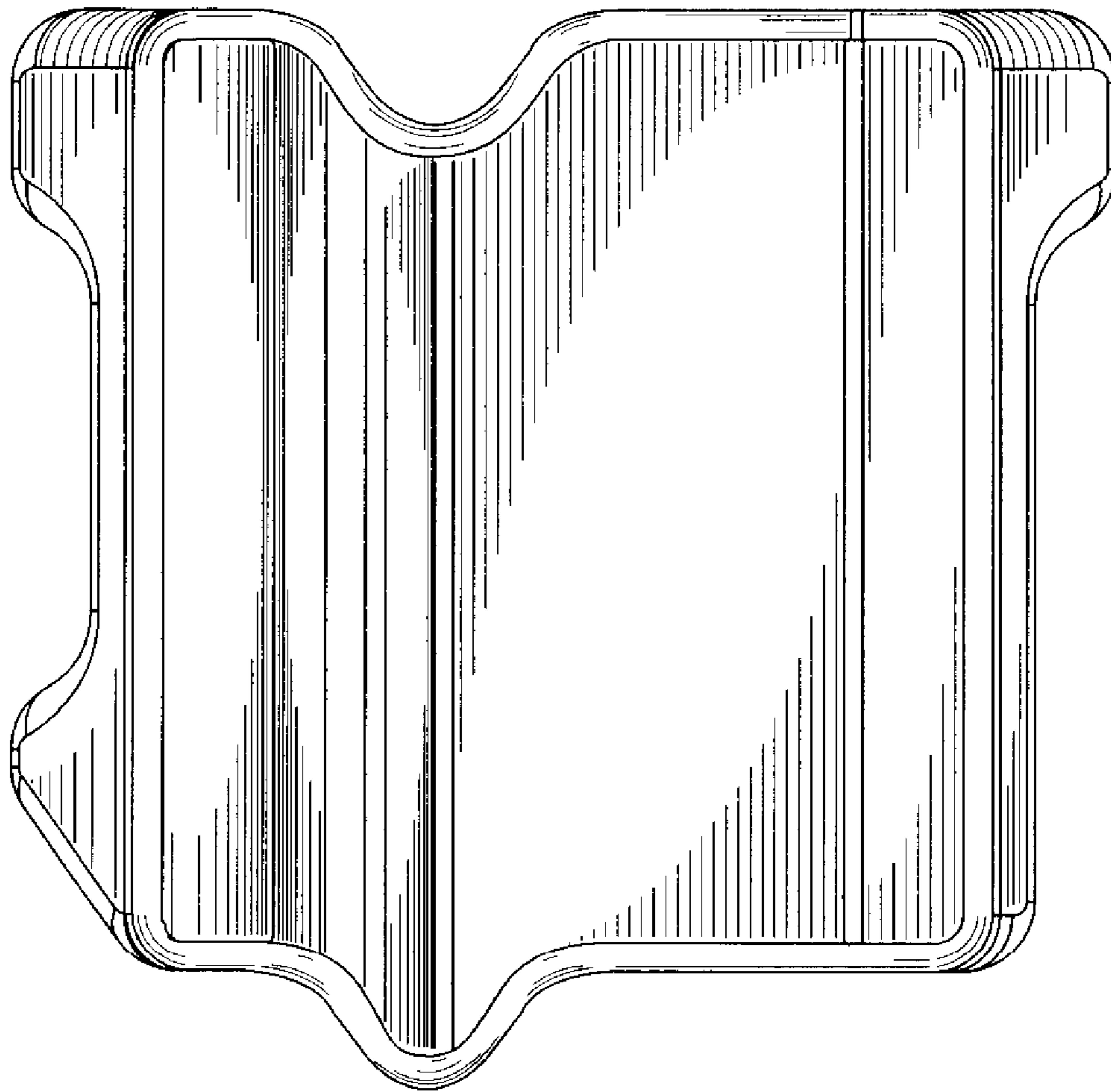


FIG. 7